

FEAL

TERMO 75 DA

Sistem za prozore
System for windows

FEAL

www.feal.ba



TERMO 75 DA

Sistem za prozore
System for windows

FEAL Široki Brijeg

Trnska cesta 146
88220 Široki Brijeg
Bosna i Hercegovina
Tel: +387 39 704-269
Fax: +387 39 704-358
info@feal.ba

FEAL Hrvatska – Zagreb

Rudeška cesta 3a
10000 Zagreb
Hrvatska
Tel: +385 1 386-62-22
Fax: +385 1 386-62-23
info@feal.hr

FEAL Beograd

Naselje Ekonomije 1,
br. 16A
11080 Zemun
Srbija
Tel: +381 63 690 601
info@feal.rs

FEAL Crna Gora

Niškički put bb
81000 Podgorica
Crna Gora
Tel: +382 78 105-544
Fax: +382 78 105-544
fealcg@t-com.me

FEAL Austria

Konrad-Doppelmayr-
Strasse 17, 6922 Wolfurt
Österreich
Tel: +43(0)5574-62230
Fax: +43(0)5574-61989
info@feal.at

FEAL Deutschland

Kemptener Str. 99
88131 Lindau
Deutschland
Tel: +49(0)8382 504 9393
Fax: +49(0)8382 504 9390
info@feal-deutschland.de

ZAŠTO JE TERMO 75 DA SAVRŠEN IZBOR?

Aluminijski prozori i vrata postali su nezaobilazni dio gotovo svih objekata bez obzira na njihovu namjenu. Lagana konstrukcija, funkcionalnost i čvrstoća su odlike koje čine upravo aluminijsku bravariju izborom broj jedan. Prilikom odabira prozora treba voditi računa o tome koje su sve karakteristike prozora te što točno mora ispunjavati. Prozori izrađeni od kombinacije drveta i aluminija objedinjuju najbolje karakteristike oba materijala.

FEAL Termo 75 DA ima visoku stabilnost i može izdržati velika opterećenja. Osnovu ovog prozora čini aluminij, a drvo svojom toplinom daje interijeru posebnu notu. Drvo predstavlja masku prozora koja se po želji nakon određenog vremena može zamijeniti drugim vrstama i bojama drveta jer je učvršćeno PVC kopčama. Kombinacija aluminij/drvo je našla veliku primjenu u modernoj arhitekturi. Veliki izbor vrsta i boja drveta koje se mogu koristiti prilikom izrade omogućuju suvremenim građevinama privlačan izgled.

WHY IS TERMO 75 DA A PERFECT CHOICE?

Aluminium windows and doors have become an indispensable part of almost all buildings, regardless of their purpose. Lightweight construction, functionality and durability are the qualities that make aluminium the number one choice. When choosing a window, care should be taken of what all the characteristics of the window are and what exactly it must meet. Windows made of wood and aluminium combine the best features of both materials.

FEAL Termo 75 DA has high stability and can withstand heavy loads. The base of this window is aluminium and the wood gives its interior a special touch. Wood is a window mask that can be replaced with other types and colors of wood, if desired, because it is connected with PVC buckles. The aluminium/wood combination has found great use in modern architecture. The large variety of wood types and colors that can be used in the construction make contemporary buildings look attractive.

PERFECTION IN ALUMINIUM



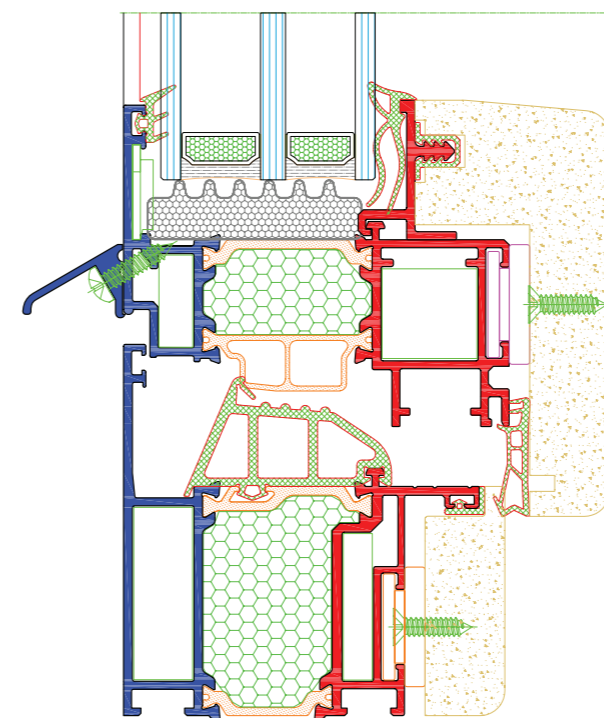
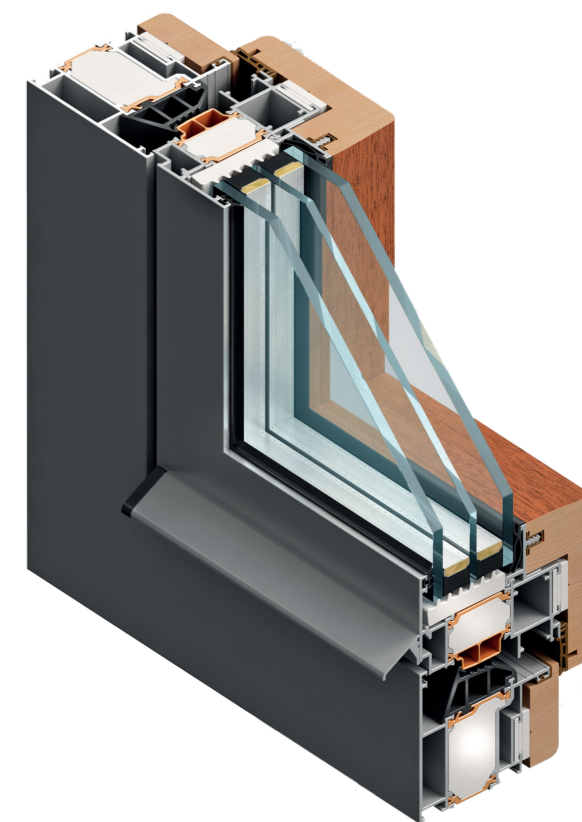
TERMO 75 DA

Sistem Termo 75 DA koristi se za izradu prozora i balkonskih vrata (jednokrilnih, dvokrilnih). Profili su izvedeni s prekinutim termičkim mostom osnovne ugradbene dubine rama 76.5 mm i dubine krila 97.5 mm sa drvenom oblogom. Prekid termičkog mosta postiže se poliamidnim trakama (34 mm i 26 mm za ram i 34 mm za krilo). Radi poboljšanja toplinskih karakteristika (smanjenje toplinske provodljivosti) u komore profila se ugrađuju trake od ekstrudiranog polistirena (XPS-a).

U kombinaciji sa troslojnim staklom i odgovarajućim distancerom stakla sistem Termo 75 DA može postići ukupni koeficijent prolaska topline $U_w = 1.0$ [W/m²K]. Brtvljenje između krila i rama izvedeno je EPDM brtvama. Staklo je u krilu pričvršćeno staklo lajsnama te zabrtvljeno EPDM brtvama s obje strane. Okov je sistemski od proizvođača ROTO.

Karakteristike sistema:

Materijal: Aluminij, drvo, XPS, poliamidne trake
Debljina stakla: 44 mm
Materijal za brtvljenje: (EPDM) DIN 7863
Zrakopropusnost: EN 12207 (klasa 4)
Vodonepropusnost: EN 12208 (klasa E1350)
Vjetronepropusnost: EN 12210 (C5/B5)
Protuprovalnost: EN 1627 (RC2)
Proračun U_w koeficijenta: ISO EN DIN 10077-1
Površinska obrada: DIN 17611
Kontrola kvalitete: ISO EN DIN 9001



The Termo 75 DA system is used to make windows and balcony doors (single sash and double sash). The profiles are made with a thermal break with a basic installation depth of 76.5 mm and sash depth of 97.5 mm with wood cladding. Thermal break is achieved with polyamide strips (34 mm and 26 mm for the frame and 34 mm for the sash). To improve thermal performance (decrease in thermal conductivity), extruded polystyrene (XPS) strips are installed in profile chambers.

In combination with a three-pane glass and a suitable glass spacer, the Termo 75 DA system can achieve an overall heat transfer coefficient of $U_w = 1.0$ [W/m²K]. Sealing between the wings and the frame is made with EPDM seals. The glass is secured with laths in the sash and sealed with EPDM seals on both sides. The fittings are systemic from the manufacturer ROTO.

System features:

Material: Aluminium, wood, XPS, polyamid strips
Glass thickness: 44 mm
Sealing material: (EPDM) DIN 7863
Air permeability: EN 12207 (class 4)
Water tightness: EN 12208 (klasa E1350)
Resistance to wind: EN 12210 (C5/B5)
Burglar resistance: EN 1627 (RC2)
Calculation of U_w coefficient: DIN EN ISO 10077-1
Surface treatment: DIN 17611
Quality control: DIN EN ISO 9001

www.feal.ba

FEAL

ZAŠTO JE TERMO 75 DA SAVRŠEN IZBOR?

Aluminijski prozori i vrata postali su nezaobilazni dio gotovo svih objekata bez obzira na njihovu namjenu. Lagana konstrukcija, funkcionalnost i čvrstoća su odlike koje čine upravo aluminijsku bravariju izborom broj jedan. Prilikom odabira prozora treba voditi računa o tome koje su sve karakteristike prozora te što točno mora ispunjavati. Prozori izrađeni od kombinacije drveta i aluminija objedinjuju najbolje karakteristike oba materijala.

FEAL Termo 75 DA ima visoku stabilnost i može izdržati velika opterećenja. Osnovu ovog prozora čini aluminij, a drvo svojom toplinom daje interijeru posebnu notu. Drvo predstavlja masku prozora koja se po želji nakon određenog vremena može zamijeniti drugim vrstama i bojama drveta jer je učvršćen samo spojnica. Kombinacija aluminija i drveta je našla veliku primjenu u modernoj arhitekturi. Veliki izbor vrsta i boja drveta koje se mogu koristiti prilikom izrade omogućuju suvremenim građevinama privlačan izgled.

WHY IS TERMO 75 DA A PERFECT CHOICE?

Aluminum windows and doors have become an indispensable part of almost all buildings, regardless of their purpose. Lightweight construction, functionality and durability are the qualities that make aluminum locksmith the number one choice. When choosing a window, care should be taken of what all the characteristics of the window are and what exactly it must meet. Windows made of wood and aluminum combine the best features of both materials.

FEAL Thermo 75 DA has high stability and can withstand heavy loads. The base of this window is aluminum and the wood gives its interior a special touch. Wood is a window mask that can be replaced with other types and colors of wood, if desired, because it is only fastened with fasteners. The combination of aluminum wood has found great use in modern architecture. The large variety of wood types and colors that can be used in the construction make contemporary buildings look attractive.

DOSTUPNE NIJANSE DRVETA / AVAILABLE WOOD TONES



Hrast - Natur



Hrast - Bijelo



Hrast - T13



Hrast - T15



Hrast - T16



Hrast - T21



Hrast - T22



Hrast - T28



Hrast - T29

TERMO 75 DA

Sistem Termo 75 DA koristi se za izradu prozora i balkonskih vrata (jednokrilnih, dvokrilnih). Profili su izvedeni s prekinutim termičkim mostom osnovne ugradbene dubine rama 76.5 mm i dubine krila 97.5 mm sa drvenom oblogom. Prekid termičkog mosta postiže se poliamidnim trakama (34 mm i 26 mm za ram i 34 mm za krilo). Radi poboljšanja toplinskih karakteristika (smanjenje toplinske provodljivosti) u komore profila se ugrađuju trake od ekstrudiranog polistirena (XPS-a).

U kombinaciji sa troslojnim staklom i odgovarajućim distancerom stakla sistem Termo 75 DA može postići ukupni koeficijent prolaska topline $UW = 1.0$ [W/m²K]. Brtvljenje između krila i rama izvedeno je EPDM brtvama. Staklo je u krilu pričvršćeno staklo lajsnama te zabrtvljeno EPDM brtvama s obje strane. Okov je sistemski od proizvođača ROTO.

Karakteristike sistema:

Materijal: EN AW-6060
 Debljina stakla: 44 mm
 Materijal za brtvljenje: (EPDM) DIN 7863
 Zrakopropusnost: EN 12207 (klasa 4)
 Vodonepropusnost: EN 12208 (klasa E1350)
 Vjetronepropusnost: EN 12210 (C5/B5)
 Protuprovalnost: EN 1627 (RC2)
 Proračun UW koeficijenta: ISO EN DIN 10077-2
 Površinska obrada: DIN 17611
 Kontrola kvalitete: ISO EN DIN 9001

The Termo 75 DA system is used to create windows and balcony doors (single, double and double). The profiles are made with a broken thermal bridge with a basic installation depth of 76.5 mm and wing depth of 97.5 mm with wooden lining. Termination of the thermal bridge is achieved with polyamide straps (34 mm and 26 mm for the frame and 34 mm for the wing). To improve thermal performance (decrease in thermal conductivity), extruded polystyrene (XPS) strips are installed in profile chambers.

In combination with a three-pane glass and a suitable glass spacer, the Termo 75 DA system can achieve an overall heat transfer coefficient of $UW = 1.0$ [W / m²K]. Sealing between the wings and the frame was performed with EPDM seals. The glass is secured with laths in the wing and sealed with EPDM seals on both sides. The fittings are systemic from the manufacturer ROTO.

System features:

Material: EN AW-6060
 Glass thickness: 44 mm
 Material for sealing: (EPDM) DIN 7863
 Air permeability: EN 12207 (class 4)
 Water tightness: EN 12208 (class E1350)
 Resistance to wind: EN 12210 (C5/B5)
 Anti-theft: EN 1627 (RC2)
 Calculation of UW coefficient: DIN EN ISO 10077-2
 Surface treatment: DIN 17611
 Quality control: DIN EN ISO 9001

