

FEAL



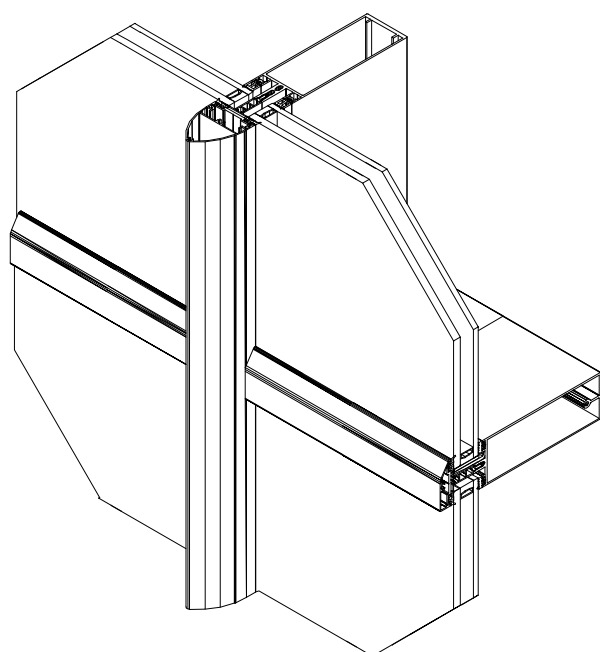
50 FK

AL. FASADA
AL. FACADE

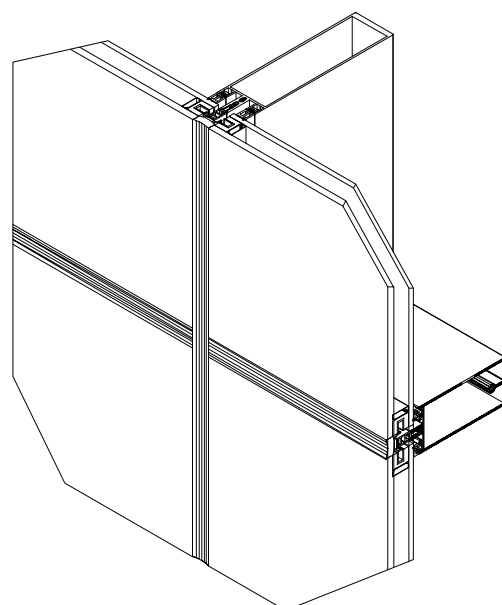
Knjiga B / *Book B*

SADRŽAJ CONTENT

06	VEZNI ELEMENTI	501.06.000
06	CONNECTION ELEMENTS	501.06.000
07	PVC ELEMENTI	501.07.000
07	PVC ELEMENTS	501.07.000
08	MEHANIZMI	501.08.000
08	MECHANISMS	501.08.000
09	BRTVE	501.09.000
09	GASKETS	501.09.000
10	DODACI	501.10.000
10	ACCESSORIES	501.10.000
11	OBRADA I MONTAŽA	501.11.000
11	PROCESSING AND MONTAGE	501.11.000
12	REZNE LISTE	501.12.000
12	CUTTING LISTS	501.12.000



50 FK



50 FS

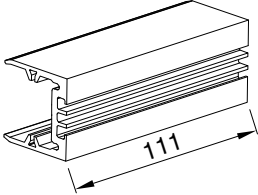
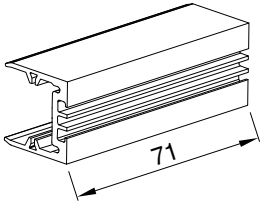
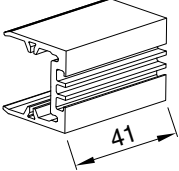
Vezni elementi

Connection elements

Oznaka Code	Izgled-presjek View-cross section	Opis Description	Materijal Material	Napomena Remark
720.204		- Klizač okomice za vodoravnicu FMV 50/198 - Mullion slider for transom FMV 50/198	Al.	
720.203		- Klizač okomice za vodoravnicu FMV 50/158 - Mullion slider for transom FMV 50/158	Al.	
720.208		- Klizač okomice za vodoravnicu FMV 50/138 - Mullion slider for transom FMV 50/138	Al.	
720.202		- Klizač okomice za vodoravnicu FMV 50/118 - Mullion slider for transom FMV 50/118	Al.	
720.201		- Klizač okomice za vodoravnicu FMV 50/88 - Mullion slider for transom FMV 50/88	Al.	
720.206		- Klizač okomice za pom.vodo. FVS 50/158 - Mullion slider for auxiliary transom FVS 50/158	Al.	

Oznaka Code	Izgled-presjek View-cross section	Opis Description	Materijal Material	Napomena Remark
720.207		- Klizač okomice za pom.vodo. FVS 50/118 - Mullion slider for auxiliary transom FVS 50/118	Al.	
720.209		- Klizač okomice za pomoćnu vodoravnicu FVS 50/88 - Mullion slider for auxiliary transom FVS 50/88	Al.	
720.205		- Klizač okomice za vodoravnicu FMV 50/32 - Mullion slider for transom FMV 50/32	Al.	

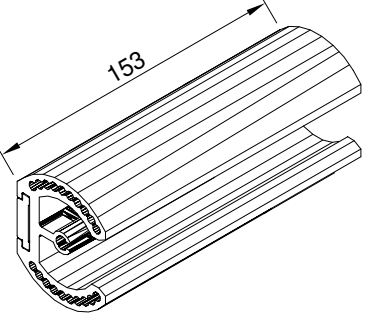
Oznaka Code	Izgled-presjek View-cross section	Opis Description	Materijal Material	Napomena Remark
721.204		- Klizač za vodoravnicu FMV 50/198 - Slider for transom FMV 50/198	Al.	
721.203		- Klizač za vodoravnicu FMV 50/158 - Slider for transom FMV 50/158	Al.	
721.217		- Klizač za vodoravnicu FMV 50/138 - Slider for transom FMV 50/138	Al.	
721.202		- Klizač za vodoravnicu FMV 50/118 - Slider for transom FMV 50/118	Al.	
721.201		- Klizač za vodoravnicu FMV 50/88 - Slider for transom FMV 50/88	Al.	
721.205		- Klizač za vodoravnicu FMV 50/32 - Slider for transom FMV 50/32	Al.	

Oznaka Code	Izgled-presjek View-cross section	Opis Description	Materijal Material	Napomena Remark
721.206		- Klizač za pom. vodoravnicu FVS 50/158 - Slider for transom FMV 50/158	Al.	
721.207		- Klizač za pom. vodoravnicu FVS 50/118 - Slider for transom FMV 50/118	Al.	
721.218		- Klizač za pom. vodoravnicu FVS 50/88 - Slider for auxiliary transom FMV 50/88	Al.	

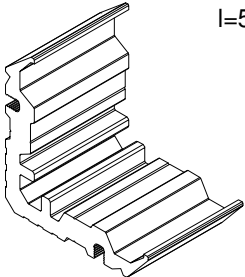
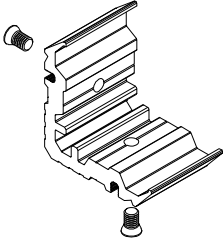
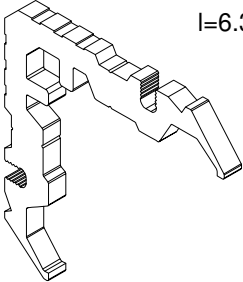
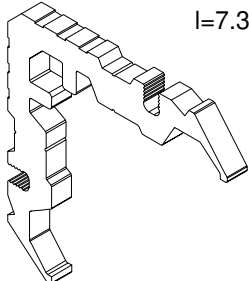
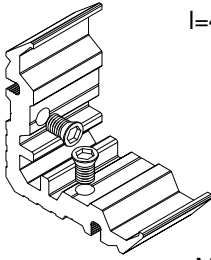
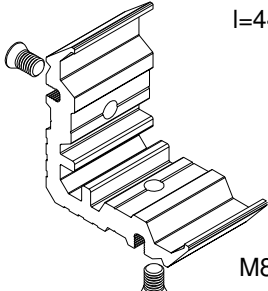
Oznaka Code	Izgled-presjek View-cross section	Opis Description	Materijal Material	Napomena Remark
721.223		<ul style="list-style-type: none"> - Klizač za vodoravnicu FMV 50/268 za ravni gumeni odstojnik 361.032 - Slider for transom FMV 50/268 for flat dilatation rubber 361.032 	Al.	
721.211		<ul style="list-style-type: none"> - Klizač za vodoravnicu FMV 50/198 za ravni gumeni odstojnik 361.006 - Slider for transom FMV 50/198 for flat dilatation rubber 361.006 	Al.	
721.210		<ul style="list-style-type: none"> - Klizač za vodoravnicu FMV 50/158 za ravni gumeni odstojnik 361.005 - Slider for transom FMV 50/158 for flat dilatation rubber 361.005 	Al.	
721.214		<ul style="list-style-type: none"> - Klizač za vodoravnicu FMV 50/138 za ravni gumeni odstojnik 361.011 - Slider for transom FMV 50/138 for flat dilatation rubber 361.011 	Al.	
721.209		<ul style="list-style-type: none"> - Klizač za vodoravnicu FMV 50/118 za ravni gumeni odstojnik 361.004 - Slider for transom FMV 50/118 for flat dilatation rubber 361.004 	Al.	
721.208		<ul style="list-style-type: none"> - Klizač za vodoravnicu FMV 50/88 za ravni gumeni odstojnik 361.003 - Slider for transom FMV 50/88 for flat dilatation rubber 361.003 	Al.	

Oznaka Code	Izgled-presjek View-cross section	Opis Description	Materijal Material	Napomena Remark
721.224		<ul style="list-style-type: none"> - Klizač za vodoravnicu FMO 50/200-S za ravni gumeni odstožnik - Slider for transom FMV 50/200-S for flat dilatation rubber 	Al.	
721.225		<ul style="list-style-type: none"> - Klizač za vodoravnicu FMO 50/160-S za ravni gumeni odstožnik - Slider for transom FMV 50/160-S for flat dilatation rubber 	Al.	
721.226		<ul style="list-style-type: none"> - Klizač za vodoravnicu FMO 50/120-S za ravni gumeni odstožnik - Slider for transom FMV 50/120-S for flat dilatation rubber 	Al.	

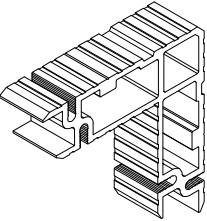
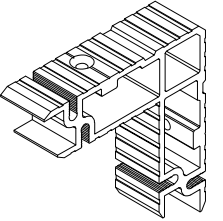
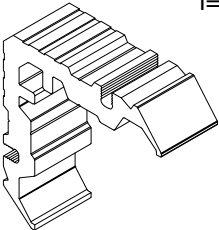
Oznaka Code	Izgled-presjek View-cross section	Opis Description	Materijal Material	Napomena Remark
721.212		<ul style="list-style-type: none"> - Klizač za pom. vod. FVS 50/158 za ravni gumeni odstopnik 361.007 - Slider for auxiliary transom FVS 50/158 for flat dilatation rubber 361.007 	Al.	
721.215		<ul style="list-style-type: none"> - Klizač za pom. vod FPV 50/138 za ravni gumeni odstopnik 361.012 - Slider for transom FPV 50/138 for flat dilatation rubber 361.012 	Al.	
721.216		<ul style="list-style-type: none"> - Klizač vodoravnice FPO 50/136 za ravni gumeni odstopnik 361.013 - Slider for transom FPO 50/136 for flat dilatation rubber 361.013 	Al.	
721.213		<ul style="list-style-type: none"> - Klizač za pom. vod. FVS 50/118 za ravni gumeni odstopnik 361.008 - Slider for auxiliary transom FVS 50/118 for flat dilatation rubber 361.008 	Al.	
721.221		<ul style="list-style-type: none"> - Klizač za pom. vod. FVS 50/88 za ravni gumeni odstopnik 361.009 - Slider for auxiliary transom FVS 50/88 for flat dilatation rubber 361.009 	Al.	

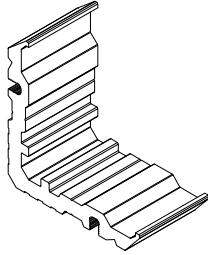
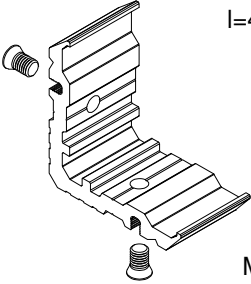
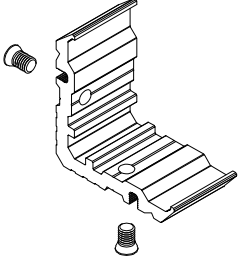
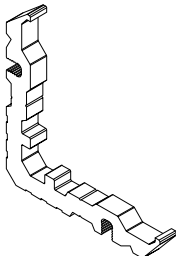
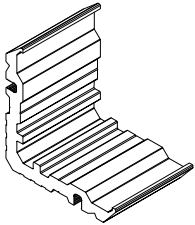
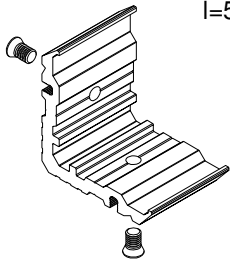
Oznaka Code	Izgled-presjek View-cross section	Opis Description	Materijal Material	Napomena Remark
722.211		- Klizač pod kutem za vodoravnicu FMV 50/268 - Angled slider for transom FMV 50/268	Al.	
722.206		- Klizač pod kutem za vodoravnicu FMV 50/198 - Angled slider for transom FMV 50/198	Al.	
722.205		- Klizač pod kutem za vodoravnicu FMV 50/158 - Angled slider for transom FMV 50/158	Al.	
722.207		- Klizač pod kutem za vodoravnicu FMV 50/138 - Angled slider for transom FMV 50/138	Al.	
722.204		- Klizač pod kutem za vodoravnicu FMV 50/118 - Angled slider for transom FMV 50/118	Al.	
722.203		- Klizač pod kutem za vodoravnicu FMV 50/88 - Angled slider for transom FMV 50/118	Al.	

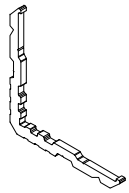
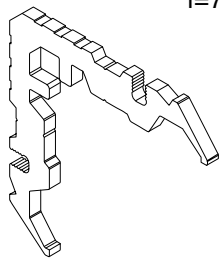
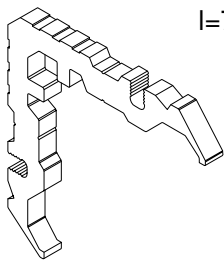
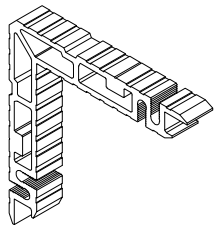
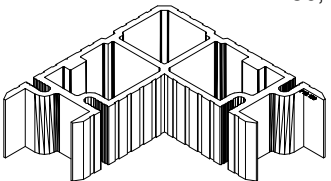
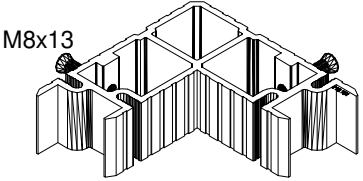
Oznaka Code	Izgled-presjek View-cross section	Opis Description	Materijal Material	Napomena Remark
722.208		- Klizač pod kutem za pomoćnu vodoravnicu FVS 50/158 - Angled slider for auxiliary transom FVS 50/158	Al.	
722.209		- Klizač pod kutem za pomoćnu vodoravnicu FVS 50/138 - Angled slider for auxiliary transom FVS 50/138	Al.	
722.202		- Klizač pod kutem za pom.vodoravnicu FVS 50/118 - Angled slider for auxiliary transom FVS 50/118	Al.	
722.201		- Klizač pod kutem za pom.vodoravnicu FVS 50/88 - Angled slider for auxiliary transom FVS 50/88	Al.	
722.210		- Klizač pod kutem za vodoravnicu FPO 50/138 - Angled slider for auxiliary transom FPO 50/138	Al.	

Oznaka Code	Izgled-presjek View-cross section	Opis Description	Materijal Material	Napomena Remark
725.025	 <p>l=53 mm</p>	<p>- Kutna spojnica 16, L=53 - Corner bracket 16, L=53</p>	Al.	
725.026	 <p>l=53 mm</p> <p>M8x13</p>	<p>- Kutna spojnica 16, L=53 (V) - Corner bracket 16, L=53 (V)</p>	Al.	
725.027	 <p>l=6.3 mm</p>	<p>- Kutna spojnica 16, L=6.3 - Corner bracket 16, L=6.3</p>	Al.	
725.028	 <p>l=7.3 mm</p>	<p>- Kutna spojnica 16, L=7.3 - Corner bracket 16, L=7.3</p>	Al.	
725.029	 <p>l=40 mm</p> <p>M8x13</p>	<p>- Kutna spojnica 16, L=40 (V) - Corner bracket 16, L=40 (V)</p>	Al.	
725.030	 <p>l=44 mm</p> <p>M8x13</p>	<p>- Kutna spojnica 16, L=44 (V) - Corner bracket 16, L=44 (V)</p>	Al.	

Oznaka Code	Izgled-presjek View-cross section	Opis Description	Materijal Material	Napomena Remark
725.031	 <p>l=7.8 mm</p>	<ul style="list-style-type: none"> - Kutna spojnica 16, L=7.8 - Corner bracket 16, L=7.8 	Al.	
725.032	 <p>l=6 mm</p>	<ul style="list-style-type: none"> - Kutna spojnica 16, L=6 - Corner bracket 16, L=6 	Al.	
725.033	 <p>l=16.3 mm</p>	<ul style="list-style-type: none"> - Kutna spojnica 16, L=16.3 - Corner bracket 16, L=16.3 	Al.	
725.034	 <p>l=42.4 mm</p>	<ul style="list-style-type: none"> - Kutna spojnica 16, L=42.4 - Corner bracket 16, L=42.4 	Al.	
725.035	 <p>l=42.4 mm</p> <p>M8x13</p>	<ul style="list-style-type: none"> - Kutna spojnica 16, L=42.4 (V) - Corner bracket 16, L=42.4 (V) 	Al.	
725.210	 <p>l=12.5 mm</p>	<ul style="list-style-type: none"> - Kutna spojnica 8, L=12.5 - Corner bracket 8, L=12.5 	Al.	

Oznaka Code	Izgled-presjek View-cross section	Opis Description	Materijal Material	Napomena Remark
710.060	 <p>l=32,2mm</p>	<ul style="list-style-type: none"> - Kutna spojnica 34.6,L=32.2 - Corner bracket 34.6,L=32.2 	Al.	
710.074	 <p>L=32.4 mm</p> <p>M8x13</p> 	<ul style="list-style-type: none"> - Kutna spojnica 34.6,L=32.4 (V) - Corner bracket 34.6,L=32.4 (V) 	Al.	
710.051	 <p>l=8,2mm</p>	<ul style="list-style-type: none"> - Kutna spojnica 22,2,L=8.2 - Corner bracket 22,2,L=8.2 	Al.	
710.452	 <p>l=7 mm</p>	<ul style="list-style-type: none"> - Kutna spojnica 16,L=7 - Corner bracket 16,L=7 	Al.	
710.462	 <p>l=28.4mm</p>	<ul style="list-style-type: none"> - Kutna spojnica 16,L=28.4 - Corner bracket 16,L=28.4 	Al.	
710.469	 <p>l=28.5mm</p> <p>M8x13</p>	<ul style="list-style-type: none"> - Kutna spojnica 16,L=28.5 (V) - Corner bracket 16,L=28.5 (V) 	Al.	

Oznaka Code	Izgled-presjek View-cross section	Opis Description	Materijal Material	Napomena Remark
725.118	 <p>I=42mm</p>	<ul style="list-style-type: none"> - Kutna spojnica 12.5,L=42 - Corner bracket 12.5,L=42 	Al.	
725.119	 <p>I=42mm</p> <p>M8x13</p>	<ul style="list-style-type: none"> - Kutna spojnica 12.5,L=42 (V) - Corner bracket 12.5,L=42 (V) 	Al.	
725.120	 <p>I=42mm</p> <p>M8x13</p>	<ul style="list-style-type: none"> - Kutna spojnica 12.5,L=42 (V) - Corner bracket 12.5,L=42 (V) 	Al.	
725.121	 <p>I=8,5 mm</p>	<ul style="list-style-type: none"> - Kutna spojnica 12.5, L=8.5 - Corner bracket 12.5, L=8.5 	Al.	
725.122	 <p>I=56.3 mm</p>	<ul style="list-style-type: none"> - Kutna spojnica 12.5,L=56.3 - Corner bracket 12.5,L=56.3 	Al.	
725.123	 <p>I=56.3 mm</p> <p>M8x13</p>	<ul style="list-style-type: none"> - Kutna spojnica 12.5,L=56.3 (V) - Corner bracket 12.5,L=56.3 (V) 	Al.	

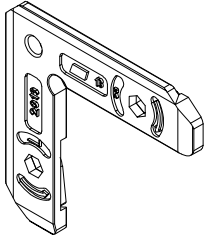
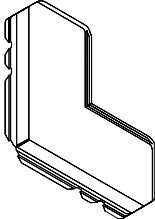

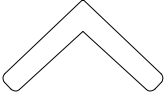
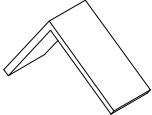
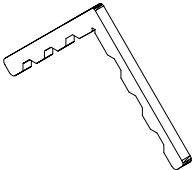
Oznaka Code	Izgled-presjek View-cross section	Opis Description	Materijal Material	Napomena Remark
710.437	 <p style="text-align: center;">l=3,5mm</p>	- Kutna spojnica 8,L=3.5 - Corner bracket 8,L=3.5	Al.	
710.442	 <p style="text-align: center;">l=7.3mm</p>	- Kutna spojnica 12.5,L=7.3 - Corner bracket 12.5,L=7.3	Al.	
710.507	 <p style="text-align: center;">l=7.9mm</p>	- Kutna spojnica 14.6,L=7.9 - Corner bracket 14.6,L=7.9	Al.	
710.436	 <p style="text-align: center;">l=17.3mm</p>	- Kutna spojnica 18.5,L=17.3 - Corner bracket 18.5,L=17.3	Al.	
710.130	 <p style="text-align: center;">L=36,4 mm</p>	- Kutna spojnica 46,L=36.4 - Corner bracket 46,L=36.4	Al.	
710.131	 <p style="text-align: center;">L=36,4 mm</p> <p>M8x13</p>	- Kutna spojnica 46,L=36.4 (V) - Corner bracket 46,L=36.4 (V)	Al.	

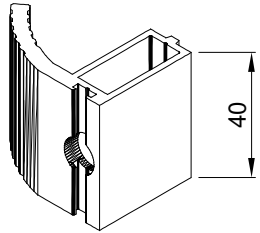
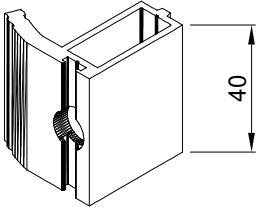
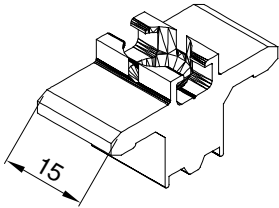
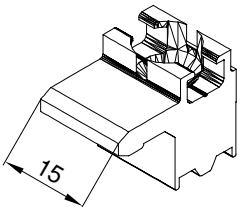
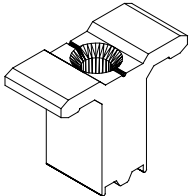
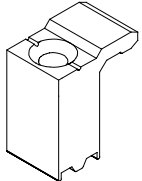
Oznaka Code	Izgled-presjek View-cross section	Opis Description	Materijal Material	Napomena Remark
710.140	<p>L=6,3 mm</p> 	<p>- Kutna spojnica 34.6,L=6.3 - Corner bracket 34.6,L=6.3</p>	Al.	
710.153	<p>l=10 mm</p> 	<p>- Kutna spojnica 18.5,L=10 - Corner bracket 18.5,L=10</p>	Al.	
710.447	<p>l=11.7 mm</p>  <p>M8x10</p>	<p>- Kutna spojnica 14.6,L=11.7 (V) - Corner bracket 14.6,L=11.7 (V)</p>	Al.	
710.448	<p>l=11.7 mm</p> 	<p>- Kutna spojnica 14.6,L=11.7 - Corner bracket 14.6,L=11.7</p>	Al.	
725.138	<p>l=43,4 mm</p> 	<p>- Kutna spojnica 12.5,L=43.4 - Corner bracket 12.5,L=43.4</p>	Al.	
725.139	<p>l=43,4 mm</p>  <p>M8x13</p>	<p>- Kutna spojnica 12.5,L=43.4 (V) - Corner bracket 12.5,L=43.4 (V)</p>	Al.	

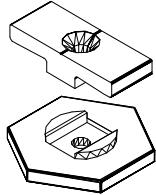
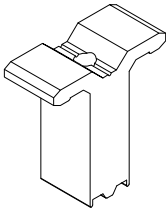
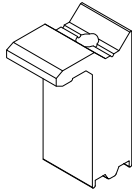
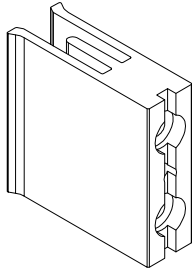
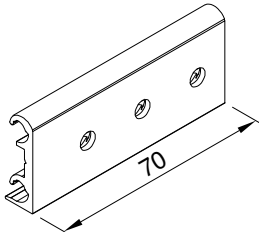
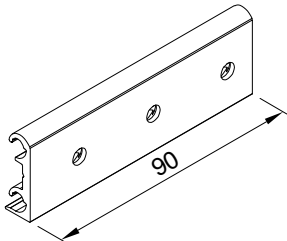
Oznaka Code	Izgled-presjek View-cross section	Opis Description	Materijal Material	Napomena Remark
725.211	 <p>l=18 mm</p> <p>M8x10</p>	<ul style="list-style-type: none"> - Kutna spojnica 8,L=18 (V) - Za profil F-0796 - Corner bracket 8,L=18 (V) - For profile F-0796 	Al.	
725.212	 <p>l=16 mm</p>	<ul style="list-style-type: none"> - Kutna spojnica 8,L=16 - Za profile FT-0174F - Corner bracket 8,L=16 - For profiles FT-0174F 	Al.	
725.213	 <p>l=16 mm</p> <p>M8x10</p>	<ul style="list-style-type: none"> - Kutna spojnica 8,L=16 (V) - Za profile FT-0174F - Kutna spojnica 8,L=16 (V) - Za profiles FT-0174F 	Al.	
725.217	 <p>l=39.5 mm</p>	<ul style="list-style-type: none"> - Kutna spojnica 8,L=39.5 - Za profil F-1127 - Corner bracket 8,L=39.5 - For profile F-1127 	Al.	
725.705	 <p>l=8 mm</p>	<ul style="list-style-type: none"> - Kutna spojnica 24.6, L=8 - Za profile: FT-0290HF - Corner bracket 24.6, L=8 - For profiles: FT-0290HF 	Al.	
725.708	 <p>l=29,3 mm</p> <p>M8x10</p>	<ul style="list-style-type: none"> - Kutna spojnica 7.5,L=29.3 (V) - Profil krila krovnog prozora F-1572 - Corner bracket 7.5,L=29.3 (V) - Profile of roof window sash F-1572 	Al.	

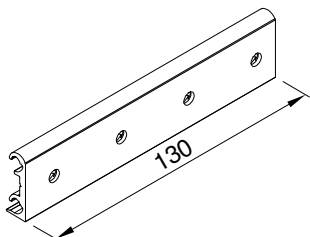
Oznaka Code	Izgled-presjek View-cross section	Opis Description	Materijal Material	Napomena Remark
725.711	 <p>M8x10</p> <p>l=26 mm</p>	<ul style="list-style-type: none"> - Kutna spojnica 10, L=26 (V) - Za profile: FT-0290F; FT-0290HF - Corner bracket 10, L=26 (V) - For profiles: FT-0290F; FT-0290HF 	Al.	
725.712	 <p>l=26 mm</p>	<ul style="list-style-type: none"> - Kutna spojnica 10, L=26 - Za profile: FT-0290F; FT-0290HF - Corner bracket 10, L=26 - For profiles: FT-0290F; FT-0290HF 	Al.	
710.523	 <p>l=11,6 mm</p>	<ul style="list-style-type: none"> - Kutna spojnica 29.4,L=11.6 (V) - Spojni profili za klizne sisteme: FT-0194F; FT-0196F; FT-1800F; FT-1801F - Corner bracket 29.4,L=11.6 (V) - Connection profile for sliding systems: FT-0194F; FT-0196F; FT-1800F; FT-1801F 	Al.	
710.524	 <p>l=15,7 mm</p>	<ul style="list-style-type: none"> - Kutna spojnica 12.5,L=15,7 (V) - Spojni profili za klizne sisteme: FT-0194F; FT-0196F; FT-1800F; FT-1801F - Corner bracket 12.5,L=15,7 (V) - Connection profile for sliding systems: FT-0194F; FT-0196F; FT-1800F; FT-1801F 	Al.	
710.592	 <p>l=17.3mm</p>	<ul style="list-style-type: none"> - Kutna spojnica 16,L=17.3 - Za profil FT-1403F - Corner bracket 16,L=17.3 - For profil FT-1403F 	Al.	
710.593	 <p>l=17.3mm</p> <p>M8x13</p>	<ul style="list-style-type: none"> - Kutna spojnica 16,L=17.3 (V) - Za profil FT-1403F - Corner bracket 16,L=17.3 (V) - For profil FT-1403F 	Al.	

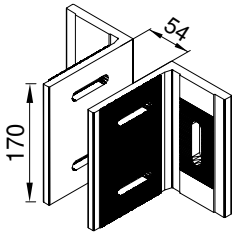
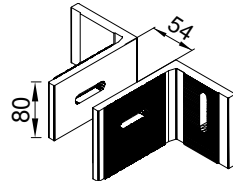
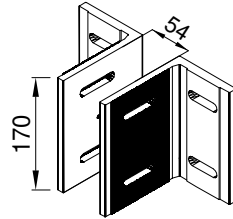
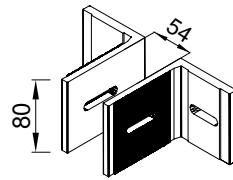
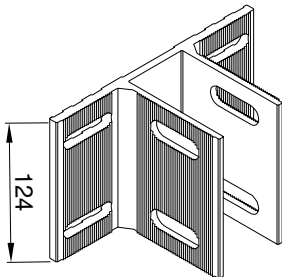
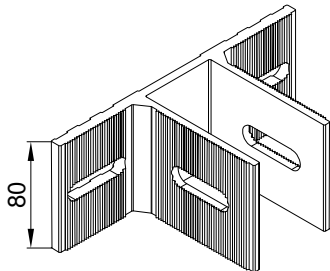
Oznaka Code	Izgled-presjek View-cross section	Opis Description	Materijal Material	Napomena Remark
730.013		<ul style="list-style-type: none"> - Kutna spojnica 9.9, L=40.8 - Za profil FT-0720F - Corner bracket 9.9, L=40.8 - For profile FT-0720F 	Al.	
710.478	 <p>l=69.3mm</p> <p>vijci 431.266</p>	<ul style="list-style-type: none"> - Kutna spojnica 12.5,L=69.3 (V) - Za profil FT-0722F - Corner bracket 12.5,L=69.3 (V) - For profile FT-0722F 	Al.	
730.008		<ul style="list-style-type: none"> - Kutna spojnica (0409,1001) 14.5, L=28.5 - Za profil FT-0722F - Corner bracket (0409.1001) 14.5, L=28.5 - For profile FT-0722F 	Al.	
710.504	 <p>l=10.8 mm</p> <p>vijci 431.293</p>	<ul style="list-style-type: none"> - Kutna spojnica 16,L=10.8 (V) - Za profil FT-0725F - Corner bracket 16,L=10.8 (V) - For profile FT-0725F 	Al.	
710.445	 <p>l=17.5mm</p> <p>vijci 431.266</p>	<ul style="list-style-type: none"> - Kutna spojnica 12.5,L=17.5 (V) - Za profil FT-0725F - Corner bracket 12.5,L=17.5 (V) - For profile FT-0725F 	Al.	
710.011	 <p>l=7.5 mm</p>	<ul style="list-style-type: none"> - Kutna spojnica 7.5,L=7.5 - Za profil FT-0725F - Corner bracket 7.5,L=7.5 - For profile FT-0725F 	Al.	

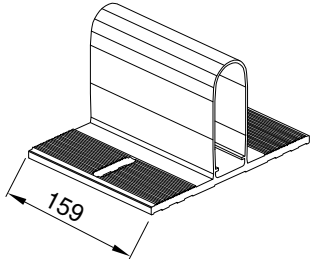
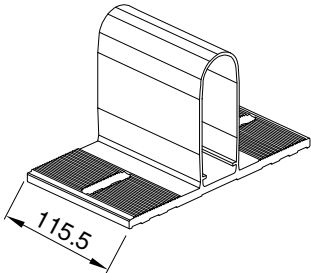
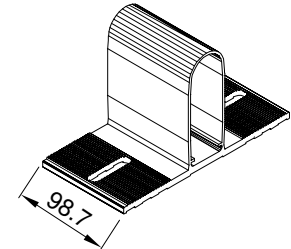
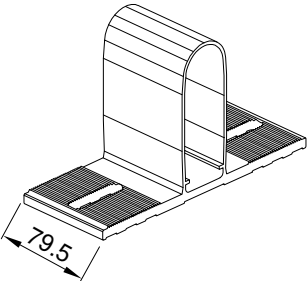
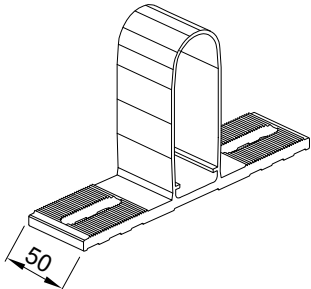
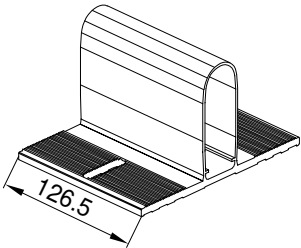
Oznaka Code	Izgled-presjek View-cross section	Opis Description	Materijal Material	Napomena Remark
731.010		<ul style="list-style-type: none"> - Kutna spojnica za komoru 19.1x1.6 - Za profile: FT-0290HF - Corner bracket for chamber 19.1x1.6 - For profiles: FT-0290HF 	Zamak #3	
730.011		<ul style="list-style-type: none"> - Kutna spojnica za komoru 41.2x12.3 - Za profile: FT-0187F; FT-0188F - Corner bracket for chamber 41.2x12.3 - For profiles: FT-0187F; FT-0188F 	Al.	
730.001		<ul style="list-style-type: none"> - Kutna spojnica za komoru 4.8x2 - Za profile krila prozora - Corner bracket for chamber 4.8x2 - For sash window profile 	Inox	
730.002		<ul style="list-style-type: none"> - Kutna spojnica za komoru 4.8x2 - Za profile rama prozora - Corner bracket for chamber 4.8x2 - For frame profiles 	Inox	
725.301	 l=13,8mm	<ul style="list-style-type: none"> - Kutna spojnica 2,L=13.8 - Za profil FM 30/20 - Corner bracket 2,L=13.8 - For profile FM 30/20 	Al.	
725.401	 l=4,4mm	<ul style="list-style-type: none"> - Kutna spojnica 7.5,L=4.4 - Za profil FT-0173F - Corner bracket 7.5,L=4.4 - For profile FT-0173F 	Al.	

Oznaka Code	Izgled-presjek View-cross section	Opis Description	Materijal Material	Napomena Remark
724.002		- Kopča za fasadu 50 FS (kut 90°) - Glass clamp for facade 50 FS (angle 90°)	Al.	
724.003		- Kopča za fasadu 50 FS (kut 135°) - Glass clamp for facade 50 FS (angle 135°)	Al.	
724.004		- Kopča za fasadu 50 FS - Glass clamp for facade 50 FS	Al.	
724.005		- Kopča za fasadu 50 FS - Glass clamp for facade 50 FS	Al.	
724.017		- Kopča za fasadu 50 FS - za trostruko staklo - Glass clamp for facade 50 FS - triple pane glass	Al.	
724.018		- Kopča za fasadu 50 FS (trostruko staklo) - Glass clamp for facade 50 FS (triple pane glass)	Al.	

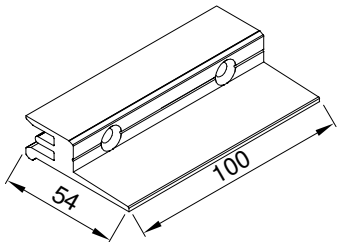
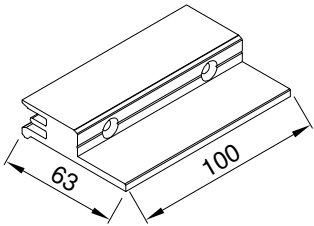
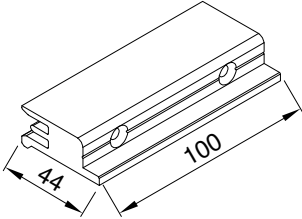
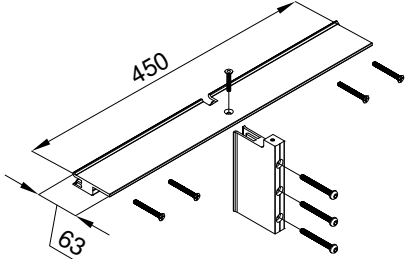
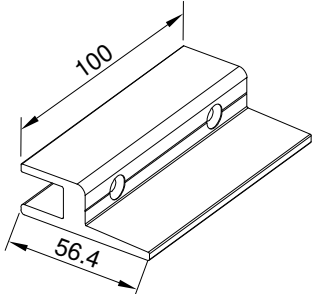
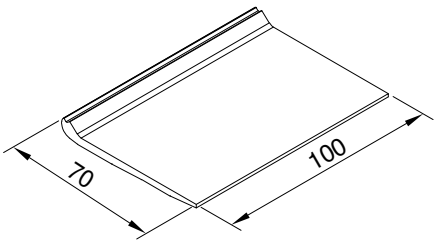
Oznaka Code	Izgled-presjek View-cross section	Opis Description	Materijal Material	Napomena Remark
724.001		<ul style="list-style-type: none"> - Držač okomice i vodoravnice FMO 50/32 FMV 50/32 - Mullion and transom clip FMO 50/32 FMV 50/32 	Al. Zamak	
724.023		<ul style="list-style-type: none"> - Kopča za strukturalnu fasadu - dvostrana - za trostruko staklo - Staklo 59 mm - Glass clamp for 50 FS - two-sided - triple glass - glazing 59 mm 	Al.	
724.024		<ul style="list-style-type: none"> - Kopča za strukturalnu fasadu - jednostrana - za trostruko staklo - Staklo 59 mm - Glass clamp for 50 FS - one-sided - triple glass - glazing 59 mm 	Al.	
724.025		<ul style="list-style-type: none"> - Nastavak za kopče 724.002 i 724.003 za 50 FS - za trostruko staklo - Extension for glass clamp 724.002 and 724.003 for 50 FS - for triple pane glass 	Al.	
521.454		<ul style="list-style-type: none"> - Kopča za spoj drvene podkonstrukcije L=70 - Wooden substructure connection clamp L=70 	Al.	
521.455		<ul style="list-style-type: none"> - Kopča za spoj drvene podkonstrukcije L=90 - Wooden substructure connection clamp L=90 	Al.	

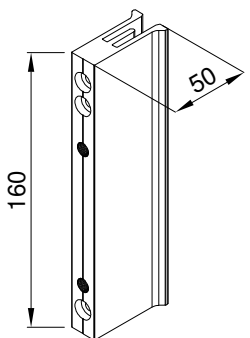
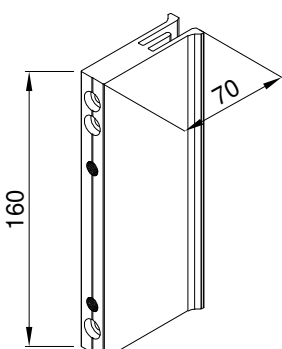
Oznaka Code	Izgled-presjek View-cross section	Opis Description	Materijal Material	Napomena Remark
521.456		<p>- Kopča za spoj drvene podkonstrukcije L=130 - Wooden substructure connection clamp L=130</p>	Al.	

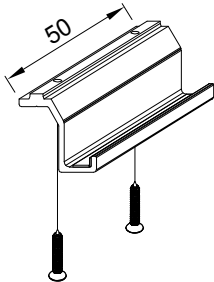
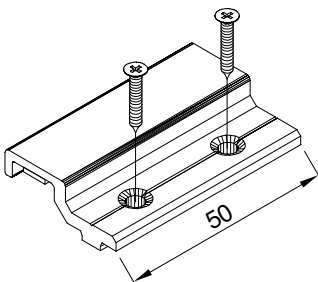
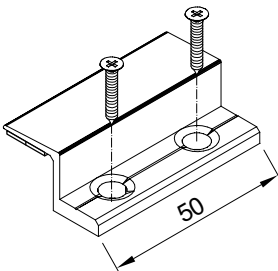
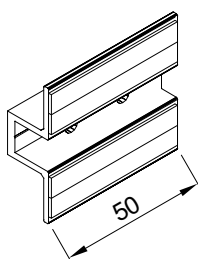
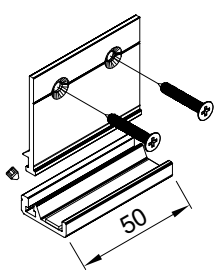
Oznaka Code	Izgled-presjek View-cross section	Opis Description	Materijal Material	Napomena Remark
501.001		- Al. nosač okomice na C-vodilicu L=170 mm - Al. mullion support for C-guide rail, L=170 mm	Al.	Par Pair
501.002		- Al. nosač okomice na C-vodilicu L=80 mm - Al. mullion support for C-guide rail, L=80 mm	Al.	Par Pair
501.004		- Al. nosač okomice na beton, L=170 mm - Al. mullion anchor for concrete, L=170 mm	Al.	Par Pair
501.005		- Al. nosač okomice na beton, L=80 mm - Al. mullion support for concrete, L=80 mm	Al.	Par Pair
501.019		- Al. nosač okomice na beton, L=124 mm - Al. mullion support for concrete, L=124 mm	Al.	
501.032		- Al. nosač okomice na beton, L= 80 mm - Al. mullion support for concrete, L= 80 mm	Al.	

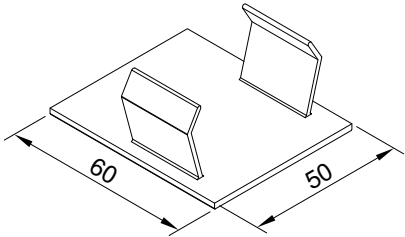
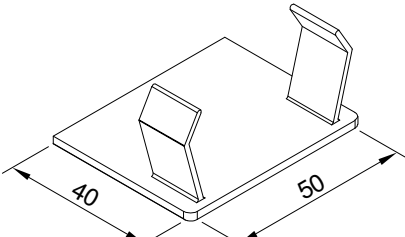
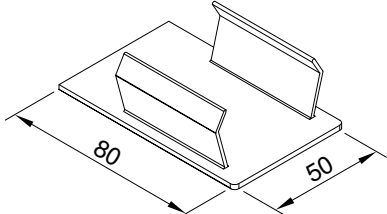
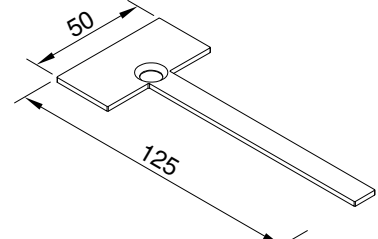
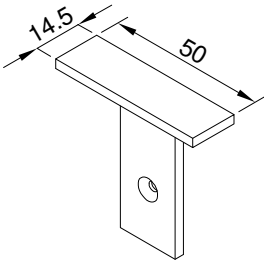
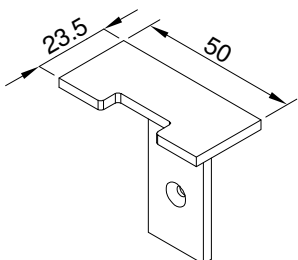
Oznaka Code	Izgled-presjek View-cross section	Opis Description	Materijal Material	Napomena Remark
501.020		- Gornji-donji nosač okomice FMO 50/200 - Upper-lower mullion support FMO 50/200	Al.	
501.021		- Gornji-donji nosač okomice FMO 50/160 - Upper-lower mullion support FMO 50/160	Al.	
501.022		- Gornji-donji nosač okomice FMO 50/140 - Upper-lower mullion support FMO 50/140	Al.	
501.023		- Gornji-donji nosač okomice FMO 50/120 - Upper-lower mullion support FMO 50/120	Al.	
501.024		- Gornji-donji nosač okomice FMO 50/90 - Upper-lower mullion support FMO 50/90	Al.	
501.044		- Gornji-donji nosač okomice FMO 50/270 - Upper-lower mullion support FMO 50/270	Al.	

Oznaka Code	Izgled-presjek View-cross section	Opis Description	Materijal Material	Napomena Remark
521.005		- Držać stakla (27x100) - Glass support (27x100)	Al.	
521.067		- Držać stakla (34x100) - Glass support (34x100)	Al.	
521.014		- Držać stakla (38x100) - Glass support (38x100)	Al.	
521.066		- Držać stakla (43x100) - Glass support (43x100)	Al.	
521.127		- Držać stakla (48x100) - Glass support (48x100)	Al.	
521.122		- Držać stakla (52x100) - Glass support (52x100)	Al.	

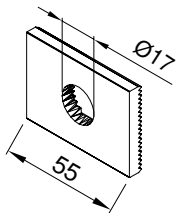
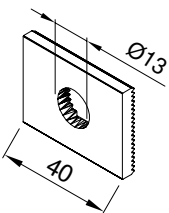
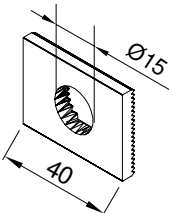
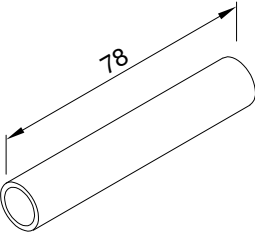
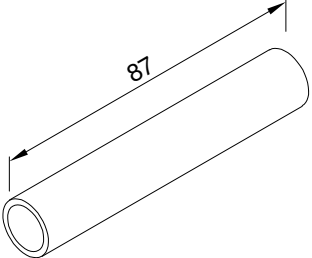
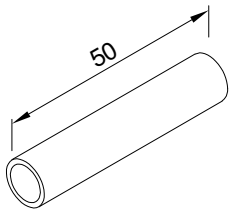
Oznaka Code	Izgled-presjek View-cross section	Opis Description	Materijal Material	Napomena Remark
521.064		- Držać stakla (54x100) - Glass support (54x100)	Al.	
521.234		- Držać za trostruko staklo u fasadi (63x100) - Triple pane glass support (63x100)	Al	
521.331		- Držać stakla (44x100) - Glass support (44x100)	Al.	
521.242		- Obostrani držać stakla s potporom u fasadi 50FK i 50FS (63x450) - set - Doublesided glass support with a vertical support (63x450) - set	Al.	
521.452		- Držać stakla (56.4x100) - Fasada spoj na drvo/čelik - Glass support (56.4x100) - Facade combination with wood/steel	Al.	
521.517		- Nosač stakla fasada 50 FK-S (70x100) - Glass support facade 50 FK-S	Al.	

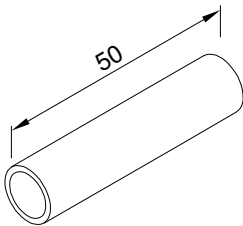
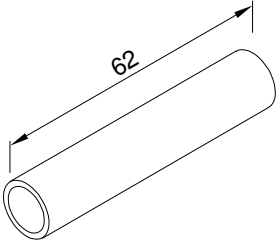
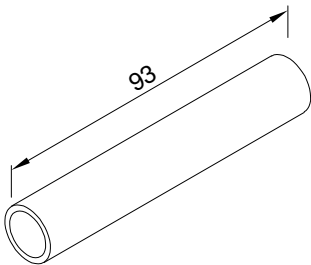
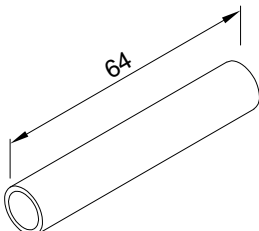
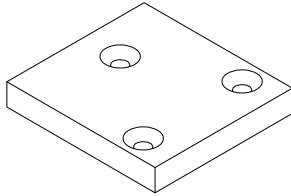
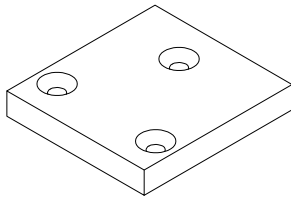
Oznaka Code	Izgled-presjek View-cross section	Opis Description	Materijal Material	Napomena Remark
521.235		<ul style="list-style-type: none"> - Držać za vanjska sjenila (50 mm x100 mm) - Bracket for exterior shading (50 mm x100 mm) 	Al	
521.236		<ul style="list-style-type: none"> - Držać za vanjska sjenila (50 mm x160 mm) - Bracket for exterior shading (50 mm x160 mm) 	Al	
521.237		<ul style="list-style-type: none"> - Držać za vanjska sjenila (70 mm x100 mm) - Bracket for exterior shading (70 mm x100 mm) 	Al	
521.238		<ul style="list-style-type: none"> - Držać za vanjska sjenila (70 mm x160 mm) - Bracket for exterior shading (70 mm x160 mm) 	Al	

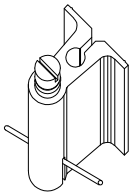
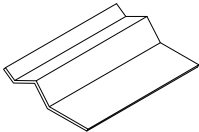
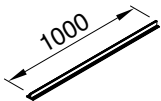
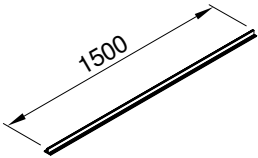
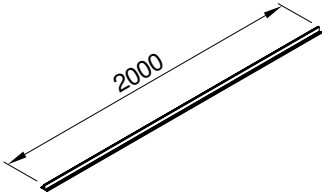
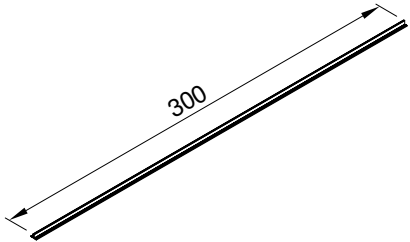
Oznaka Code	Izgled-presjek View-cross section	Opis Description	Materijal Material	Napomena Remark
521.007		<ul style="list-style-type: none"> - Za profil FT-0157 - Držać vanjskog stakla-set - Stara oznaka: VDV-S - For profile FT-0157 - Exterior glass support-set - Former code: VDV-S 	Al.	
521.013		<ul style="list-style-type: none"> - Za profil FT-0157 - Držać vanjskog stakla za strukturalnu izvedbu sa horiz. poklopnom lajsnom-set - For profile FT-0157 - Exterior fixed field glass support za structural facade with horiz. cover cap-set 	Al.	
521.039		<ul style="list-style-type: none"> - Držać vanjskog fiksnog stakla - jednostrani (četiri po staklu)-set - Exterior fixed field glass clamp - one-sided (four per glass)-set 	Al.	
521.040		<ul style="list-style-type: none"> - Držać vanjskog fiksnog stakla - dvostrani (četiri po staklu)-set - Exterior fixed field glass clamp - two-sided (four per glass)-set 	Al.	
521.041		<ul style="list-style-type: none"> - Za profil FT-0162, FT-0170, FT-0164 - Držać vanjskog stakla (četiri po staklu)-set - For profile FT-0162, FT-0170, FT-0164 - Exterior glass support (four per glass)-set 	Al.	

Oznaka Code	Izgled-presjek View-cross section	Opis Description	Materijal Material	Napomena Remark
521.491		- Umetak poklopne lajsne FMO 50/61 - Cover cap for profile FMO 50/61	Al.	
521.493		- Umetak poklopne lajsne FMO 50/40 - Cover cap for profile FMO 50/40	Al.	
521.494		- Umetak poklopne lajsne FMO 50/80 - Cover cap for profile FMO 50/80	Al.	
521.496		- Umetak poklopne lajsne FM 50/125 - Cover cap for profile FM 50/125	Al.	
521.497		- Umetak poklopnih lajsni: FMV 50/14, FMO 50/15; FMO 50/25 - Cover cap for profiles: FMV 50/14, FMO 50/15; FMO 50/25	Al.	
521.498		- Umetak poklopne lajsne FMO 50/23 - Cover cap for profile FMO 50/23	Al.	

Oznaka Code	Izgled-presjek View-cross section	Opis Description	Materijal Material	Napomena Remark
521.432		<ul style="list-style-type: none"> - Umetak poklopne lajsne FM 50/120 - Cover cap for profile FM 50/120 	Al.	
521.485		<ul style="list-style-type: none"> - Umetak poklopne lajsne FMO 50/150 - Cover cap for profile FMO 50/150 	Al.	
521.368		<ul style="list-style-type: none"> - Umetak poklopne lajsne FPL 50/200 - Cover cap for profile FPL 50/200 	Al.	

Oznaka Code	Izgled-presjek View-cross section	Opis Description	Materijal Material	Napomena Remark
521.101		- Al. podloška L=55 mm (Ø17) - Al. washer L=55 mm (Ø17)	Al.	
521.058		- Al. podloška L=40 mm (Ø13) - Al. washer L=40 mm (Ø13)	Al.	
521.165		- Al. podloška L=40 mm (Ø15) - Al. washer L=40 mm (Ø15)	Al.	
521.516		- Inox distancer (Ø14/11), L=78 mm - Stainless steel spacer (Ø14/11), L=78 mm	Inox	
521.506		- Inox distancer (Ø16/13), L=87 mm - Stainless steel spacer (Ø16/13), L=87 mm	Inox	
521.166		- Inox distancer (Ø14/11), L=50 mm - Stainless steel spacer (Ø14/11), L=50 mm	Inox	

Oznaka Code	Izgled-presjek View-cross section	Opis Description	Materijal Material	Napomena Remark
521.015		<ul style="list-style-type: none"> - Inox distancer za čelični nosač (Ø16/13), L=50 mm - Stainless steel spacer for steel support (Ø16/13), L=50 mm 	Inox	
521.016		<ul style="list-style-type: none"> - Inox distancer za čelični nosač (Ø16/13), L=62 mm - Stainless steel spacer for steel support (Ø16/13), L=62 mm 	Inox	
521.010		<ul style="list-style-type: none"> - Inox distancer za čelični nosač za profil FOK -120/120, (Ø16/13), L=93 mm - Stainless steel spacer for steel support for profile FOK-120/120, (Ø16/13), L=93 mm 	Inox	
521.265		<ul style="list-style-type: none"> - Inox distancer za čelični nosač (Ø14/11), L=64 mm - Stainless steel spacer for steel support (Ø14/11), L=64 mm 	Inox	
391.148		<ul style="list-style-type: none"> - Aluminijska nosiva pločica francuskog balkona lijeva (50 mm x 54 mm x 8 mm) - French balcony left aluminium glass support (50 mm x 54 mm x 8 mm) 	Al.	
391.149		<ul style="list-style-type: none"> - Aluminijska nosiva pločica francuskog balkona desna (50 mm x 54 mm x 8 mm) - French balcony right aluminium glass support (50 mm x 54 mm x 8 mm) 	Al.	

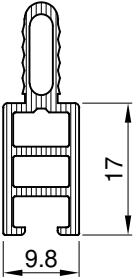
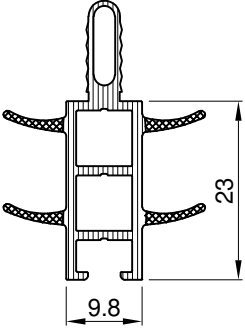
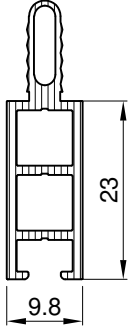
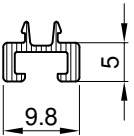
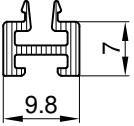
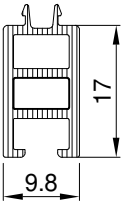
Oznaka Code	Izgled-presjek View-cross section	Opis Description	Materijal Material	Napomena Remark
385.006		<ul style="list-style-type: none"> - Spojnica okomice i vodoravnice - Stara oznaka: SP-50-KF - Mullion and transom connector - Former code: SP-50-KF 	Zamak	
521.008		<ul style="list-style-type: none"> - Elastični držač opšava - Elastic sheet clamp 	Al.	
521.457		<ul style="list-style-type: none"> - Obraden profil za fasadu 50FK - Spoj na drvo/čelik L = 1000 mm - Processed profile for facade 50FK - Connection to wood/steel L=1000 mm 	Al.	
521.458		<ul style="list-style-type: none"> - Obraden profil za fasadu 50FK - Spoj na drvo/čelik L = 1500 mm - Processed profile for facade 50FK - Connection to wood/steel L=1500 mm 	Al.	
521.459		<ul style="list-style-type: none"> - Obraden profil za fasadu 50FK - Spoj na drvo/čelik L = 2000 mm - Processed profile for facade 50FK - Connection to wood/steel L=2000 mm 	Al.	
521.461		<ul style="list-style-type: none"> - Obraden profil za fasadu 50FK - Spoj na drvo/čelik L = 3000 mm - Processed profile for facade 50FK - Connection to wood/steel L=3000 mm 	Al.	

Oznaka Code	Izgled-presjek View-cross section	Opis Description	Materijal Material	Napomena Remark
521.397		<ul style="list-style-type: none"> - Spojnica okomice/vodoravnice - Fasada 50FK spoj na drvo/čelik - Transom/mullion connector - Facade 50FK wood/steel connection 	Al.	
521.074		<ul style="list-style-type: none"> - Spojnica profila FMO 50/40 L=250 mm - Connection between two profiles FMO 50/40 L=250 mm 	Al.	
230.029		<ul style="list-style-type: none"> - Ključ za 724.001 - Key for 724.001 	Čelik Steel	

PVC elementi
PVC elements

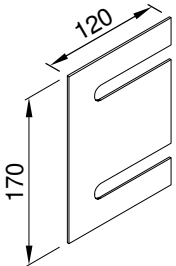
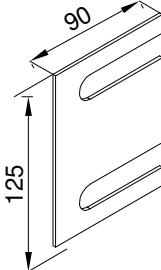
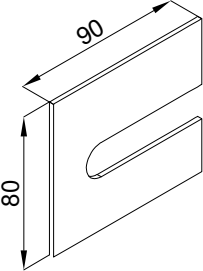
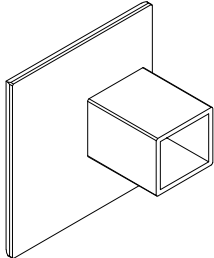
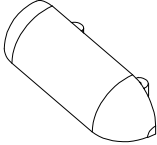
Oznaka Code	Opis Description	Izgled View	Materijal Material	Oznaka proizvođača Manufacturer code
370.026	Podmetač za staklo 100 x 20 x 1 mm Glazing packer 100 x 20 x 1 mm		PVC	BO 5120001
370.027	Podmetač za staklo 100 x 30 x 1 mm Glazing packer 100 x 30 x 1 mm			BO 5120031
370.028	Podmetač za staklo 100 x 40 x 1 mm Glazing packer 100 x 40 x 1 mm			BO 5120051
370.029	Podmetač za staklo 100 x 50 x 1 mm Glazing packer 100 x 50 x 1 mm			BO 5120111
370.030	Podmetač za staklo 100 x 20 x 2 mm Glazing packer 100 x 20 x 2 mm			BO 5120002
370.031	Podmetač za staklo 100 x 30 x 2 mm Glazing packer 100 x 30 x 2 mm			BO 5120032
370.032	Podmetač za staklo 100 x 40 x 2 mm Glazing packer 100 x 40 x 2 mm			BO 5120052
370.033	Podmetač za staklo 100 x 50 x 2 mm Glazing packer 100 x 50 x 2 mm			BO 5120112
370.034	Podmetač za staklo 100 x 20 x 3 mm Glazing packer 100 x 20 x 3 mm			BO 5120003
370.035	Podmetač za staklo 100 x 24 x 3 mm Glazing packer 100 x 24 x 3 mm			BO 5120013
370.037	Podmetač za staklo 100 x 30 x 3 mm Glazing packer 100 x 30 x 3 mm			BO 5120033
370.038	Podmetač za staklo 100 x 40 x 3 mm Glazing packer 100 x 40 x 3 mm			BO 5120053
370.039	Podmetač za staklo 100 x 30 x 4 mm Glazing packer 100 x 30 x 4 mm			BO 5120034
370.040	Podmetač za staklo 100 x 50 x 4 mm Glazing packer 100 x 50 x 4 mm			BO 5120114
370.041	Podmetač za staklo 100 x 30 x 5 mm Glazing packer 100 x 30 x 5 mm			BO 5120035
370.043	Podmetač za staklo 100 x 34 x 5 mm Glazing packer 100 x 34 x 5 mm			BO 5120045
370.044	Podmetač za staklo 100 x 24 x 6 mm Glazing packer 100 x 24 x 6 mm			BO 5120016
370.045	Podmetač za staklo 100 x 30 x 6 mm Glazing packer 100 x 30 x 6 mm	BO 5120036		

NAPOMENA: Navedeni podmetači stakla kompatibilni su sa staklo kitovima.
REMARK: Listed glazing packers are compatible with glass sealants.

Oznaka Code	Izgled-presjek View-cross section	Opis Description	Materijal Material	Napomena Remark
374.005		- PVC profil 17 mm - PVC spacer 17 mm	PVC	
374.006		- PVC profil sa perom 23 mm - PVC spacer with a flap 23 mm	PVC	
374.007		- PVC profil 23 mm - PVC spacer 23 mm	PVC	
374.008		- PVC profil 5 mm - PVC spacer 5 mm	PVC	
374.009		- PVC profil 7 mm - PVC spacer 7 mm	PVC	
374.115		- PVC profil 17 mm - PVC spacer 17 mm	PVC	

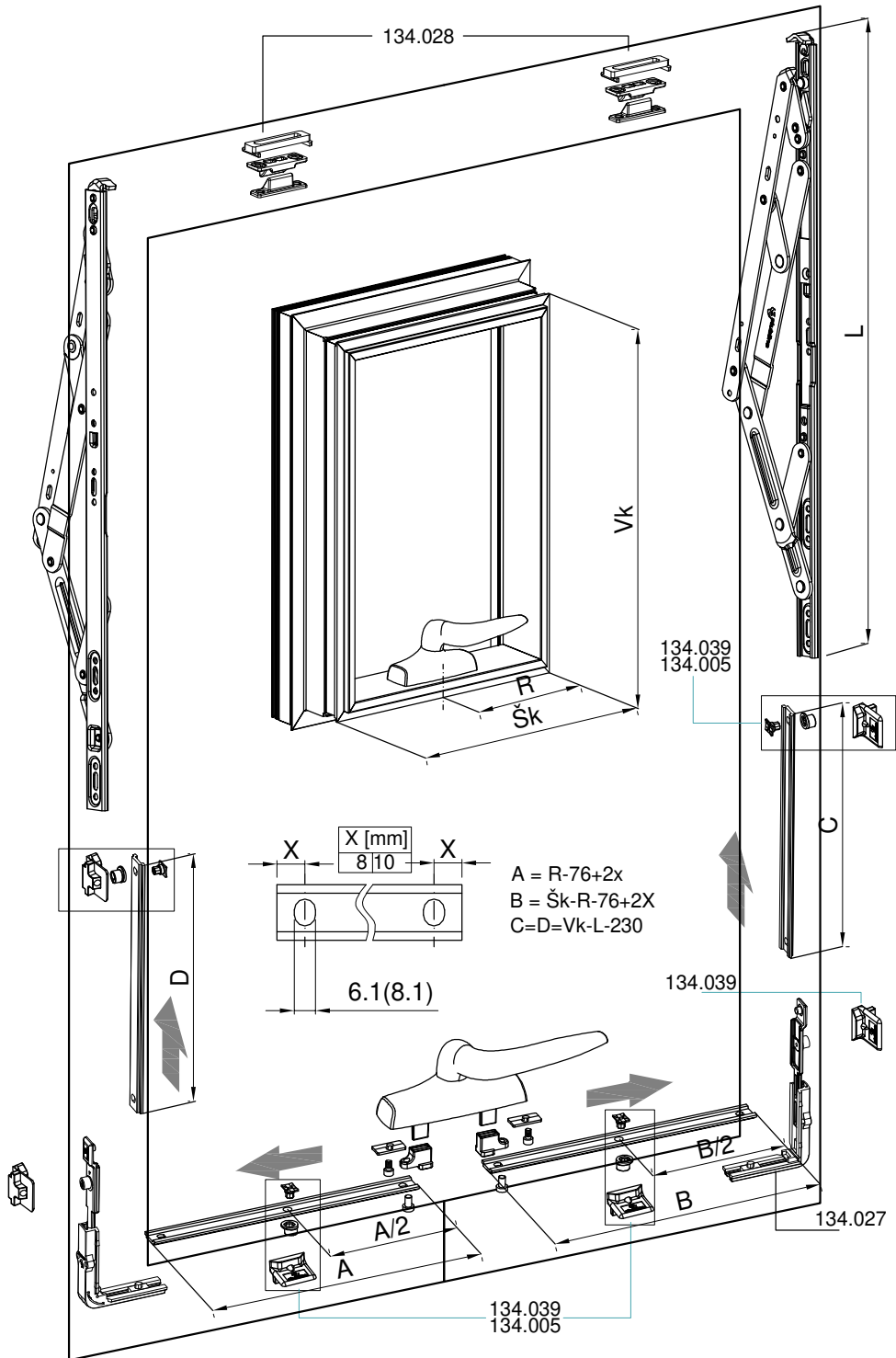
Oznaka Code	Izgled-presjek View-cross section	Opis Description	Materijal Material	Napomena Remark
370.067		<ul style="list-style-type: none"> - Distancer na okomici 32 mm - Polyamid spacer 32 mm 	Poliamid	
374.010		<ul style="list-style-type: none"> - Parapetni fasadni umetak s perom 18 mm - Facade spandrel insert with a flap 18 mm 	PVC	
374.011		<ul style="list-style-type: none"> - Parapetni fasadni umetak s perom 24 mm - Facade spandrel insert with a flap 24 mm 	PVC	
374.012		<ul style="list-style-type: none"> - PVC distancer 19 mm - PVC spacer 	PVC	
374.013		<ul style="list-style-type: none"> - PVC distancer 15 mm - PVC spacer 	PVC	
374.071		<ul style="list-style-type: none"> - Parapetni fasadni umetak 18 mm - Facade spandrel insert 18 mm 	PVC	

Oznaka Code	Izgled-presjek View-cross section	Opis Description	Materijal Material	Napomena Remark
375.007		- Umetak za profil FMO 50/22 - Cover for profile FMO 50/22	PVC	
375.008		- Umetak za profil FMO 50/30 - Cover for profile FMO 50/30	PVC	
375.009		- Umetak za profil FMO 50/60 - Cover for profile FMO 50/60	PVC	
375.022		- Umetak za profil FMV 50/14-K - Cover for profile FMV 50/14-K	PVC	Par Pair

Oznaka Code	Izgled-presjek View-cross section	Opis Description	Materijal Material	Napomena Remark
374.023		- Podmetač nosača 170x120x2 - Mullion support pad 170x120x2	PVC	
374.076		-Podmetač nosača 125x90x2,4 -Mullion support pad 125x90x2,4	PVC	
374.077		-Podmetač nosača 80x90x2,4 -Mullion support pad 80x90x2,4	PVC	
373.054		-Gornji čep okomice francuskog balkona - Upper cover cap of french balcony profile	PVC	
370.070.01 03		-Maska s klapnom za drenažni otvor -Oznaka proizvođača Master: A2145R9010-bijela, A2145-crna. -Boje 01-bijela, 03-crna - Drainage slot mask with a flap -Manufacture code Master: A2145R9010-white, A2415-black. -Color: 01-white, 03-black	PVC	

Mehanizmi Mechanisms

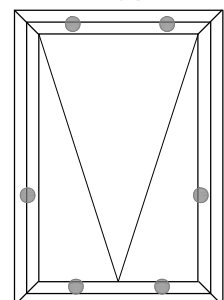
Okov fasadnog ventusa - STUBLINA
Hung vent hardware - STUBLINA



Izbor škaru na osnovu visine krila (Vk)
Stays selection based on the sash height (Vk)

	134.019		134.020		134.021		134.022	
Vk [mm]	min	600	1200	1600	1800	1800	1800	2000
	max	1200	1600	1800	1800	1800	1800	2000
[kg]max	180	180	180	180	180	180	180	180
α	25°	30°	20°	25°	15°	20°	15°	20°

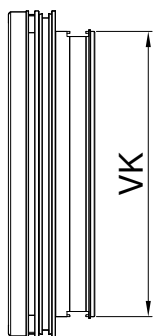
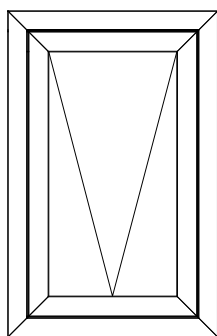
Točke ključanja
Locking points



Oznaka Code	Kod proizvođača Manufacturer code	Škare fasadnog ventusa Hung vent friction stays	Opis Description	Materijal Material	Proizvođač Manufacturer
134.019	F4060.05.55 PT		<p>visina krila 600-1200 mm sash height 600-1200 mm težina <130 kg weight <130 kg kut otvaranja - 25° ili 30° opening angle - 25° ili 30° set</p>	Inox	Stublina
134.020	F4060.07.55 PT		<p>visina krila 1200-1600 mm sash height 1200-1600 mm težina <180 kg weight <180 kg kut otvaranja - 20° ili 25° opening angle - 20° ili 25° set</p>	Inox	Stublina
134.021	F4060.08.55 PT		<p>visina krila 1600-1800 mm sash height 1600-1800 mm težina <180 kg weight <180 kg kut otvaranja - 15° ili 20° opening angle - 15° ili 20° set</p>	Inox	Stublina

Oznaka Code	Kod proizvođača Manufacturer code	Škare fasadnog ventusa Hung vent friction stays	Opis Description	Materijal Material	Proizvođač Manufacturer
134.022	F4060.09.55 PT		<p>visina krila 1800-2000 mm Sash height 1800-2000 mm težina <180 kg weight <180 kg kut otvaranja - 15° ili 20° opening angle - 15° ili 20° set</p>	Inox	Stublina

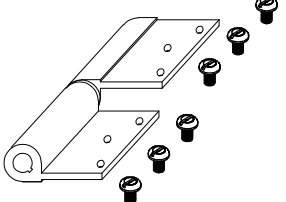
- IZBOR VELIČINE ŠKARE ZA FASADNE PROFILE
- FRICTION STAYS SIZE SELECTION FOR FACADE PROFILES



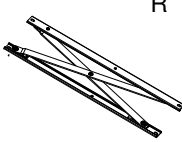
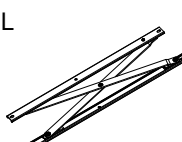


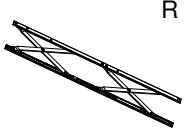
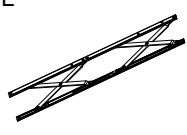
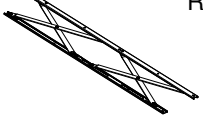
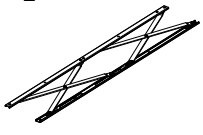
Izbor škare na osnovu visine krila (V_k) <i>Stays selection based on the sash height (V_k)</i>								
	134.019		134.020		134.021		134.022	
V _k [mm]	min	600	1200	1600	1800	1800	2000	
	max	1200	1600	1800	2000			
α	25°	30°	20°	25°	15°	20°	15°	20°

Oznaka Code	Izgled View	Opis Description	Materijal Material	Proizvođač Manufacturer
104.012.01 L 02 L 03 L		<ul style="list-style-type: none"> - Ručka za fasadne profile - desna - Proizvođačeva oznaka: 1107.00.310 L 1107.00.315 L 1107.00.313 L - Boje: 01- bijela; 02 - siva;03 - crna - Handle for profile handles - Producer code: 1107.00.310 L 1107.00.315 L 1107.00.313 L - Color: 01- white; 02 - gray;03 - black 	AISI Zamak	Stublina
104.012.01 D 02 D 03 D		<ul style="list-style-type: none"> - Ručka za fasadne profile - lijeva - Proizvođačeva oznaka: 1107.00.310 D 1107.00.315 D 1107.00.313 D (Stublina) - Boje: 01- bijela; 02 - siva;03 - crna - Handle for profile handles - Producer code: 1107.00.310 D 1107.00.315 D 1107.00.313 D (Stublina) - Color: 01- white; 02 - gray;03 - black 	AISI Zamak	Stublina
134.027		<ul style="list-style-type: none"> -Kutni prijenosnik ključanja -Proizvođačeva oznaka 4010.20 -Corner locking transmission -Manufacturer code:4010.20 		Stublina
134.028		<ul style="list-style-type: none"> -Pasivno ključanje -Proizvođačeva oznaka 4060.45 Passiv locking -Manufacturer code:4060.45 		Stublina
134.039		<ul style="list-style-type: none"> - Pihvatnik tuljca - Proizvođačeva oznaka 4060.10.51 - Striker - Manufacturer code: 4060.10.51 		Stublina
134.005		<ul style="list-style-type: none"> - Dodatno ključanje - zapinjač - Stara oznaka 4010.27 - Additional locking pin - Manufacturer code: 4010.27 		Stublina

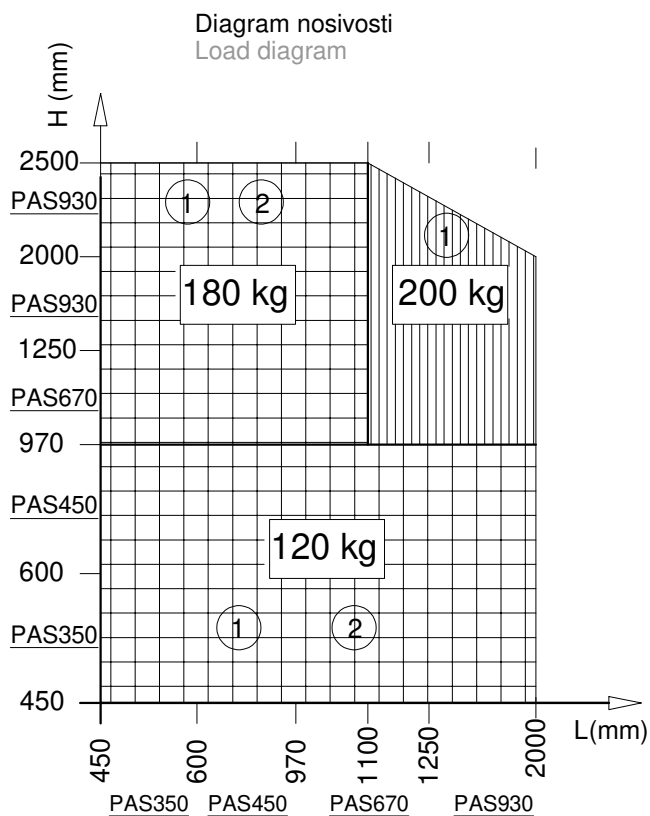
Oznaka Code	Izgled View	Opis Description	Materijal Material	Proizvođač Manufacturer
143.051		Motor za otvaranje ventusa Proizvođačeva oznaka: 07885 Hung vent opening device Manufacturer code: 07885		Giesse
143.052		Držac lanca na krilu Proizvođačeva oznaka: 05909 Sash fixing bracket Manufacturer code: 05909		Giesse
143.053		Motor za zaključavanje Proizvođačeva oznaka: 07895 Locking device Manufacturer code: 07895		Giesse
143.054		Prihvatnik tuljca Proizvođačeva oznaka: 01213 Striker Manufacturer code: 01213		Giesse
143.055		Kutni prijenosnik Proizvođačeva oznaka: 04019K Corner transmission Manufacturer code: 04019K		Giesse
143.056		Dodatno ključanje - tuljac Proizvođačeva oznaka: 04030K - Eccentric pin for additional locking Manufacturer code: 04030		Giesse
143.057		Fiksni tuljac Proizvođačeva oznaka: 04049 Fixed pin Manufacturer code: 04049		Giesse

Oznaka Code	Izgled View	Opis Description	Materijal Material	Proizvođač Manufacturer
111.006.01 02 03		<ul style="list-style-type: none"> - Šarka za krovni prozor - Stara oznaka: AD-100/1 - Boje: 01- bijela; 02 - siva;03 - crna - Roof window hinges - Former code: AD-100/1 - Color: 01- white; 02 - gray;03 - black 	Al.	

Oznaka Code	Kod proizvođača Manufacturer code	Škare paralelnog otvaranja Parallel stays	Opis Description	Materijal Material	Proizvođač Manufacturer
132.005 D	6-34810-00-R-8	PAS350  R	<p>Visina krila 700-1100 mm Sash height 700-1100 mm Težina krila < 200 kg Sash weight < 200 kg Max. otvaranje krila u odnosu na ram: Max. opening distance of the sash from the frame:</p> <ul style="list-style-type: none"> - otvaranje ručkom -150 mm - manually opened -150 mm - otvaranje motorom- 180 mm - opened with a motor - 180 mm 	Inox	G-U
132.005 L	6-34810-00-L-8	PAS350  L	<p>Visina krila 700-1100 mm Sash height 700-1100 mm Težina krila < 200 kg Sash weight < 200 kg Max. otvaranje krila u odnosu na ram: Max. opening distance of the sash from the frame:</p> <ul style="list-style-type: none"> - otvaranje ručkom -150 mm - manually opened -150 mm - otvaranje motorom- 180 mm - opened with a motor - 180 mm 	Inox	G-U
132.006 D	6-34811-00-R-8	PAS450  R	<p>Visina krila 480-720 mm Sash height 480-720 mm Težina krila < 100 kg Sash weight < 100 kg Max. otvaranje krila u odnosu na ram: Max. opening distance of the sash from the frame:</p> <ul style="list-style-type: none"> - otvaranje ručkom -150 mm - manually opened -150 mm - otvaranje motorom- 250 mm - opened with a motor - 250 mm 	Inox	G-U
132.006 L	6-34811-00-L-8	PAS450  L	<p>Visina krila 480-720 mm Sash height 480-720 mm Težina krila < 100 kg Sash weight < 100 kg Max. otvaranje krila u odnosu na ram: Max. opening distance of the sash from the frame:</p> <ul style="list-style-type: none"> - otvaranje ručkom -150 mm - manually opened -150 mm - otvaranje motorom- 250 mm - opened with a motor - 250 mm 	Inox	G-U

Oznaka Code	Kod proizvođača Manufacturer code	Škare paralelnog otvaranja Parallel stays	Opis Description	Materijal Material	Proizvođač Manufacturer
132.007 D	6-34812-00-R-8	PAS670 	<p>Visina krila 700-1100 mm Sash height 700-1100 mm Težina krila < 200 kg Sash weight < 200 kg Max. otvaranje krila u odnosu na ram: Max. opening distance of the sash from the frame:</p> <ul style="list-style-type: none"> - otvaranje ručkom -150 mm - manually opened -150 mm - otvaranje motorom- 180 mm - opened with a motor - 180 mm 	Inox	G-U
132.007 L	6-34812-00-L-8	PAS670 	<p>Visina krila 700-1100 mm Sash height 700-1100 mm Težina krila < 200 kg Sash weight < 200 kg Max. otvaranje krila u odnosu na ram: Max. opening distance of the sash from the frame:</p> <ul style="list-style-type: none"> - otvaranje ručkom -150 mm - manually opened -150 mm - otvaranje motorom- 180 mm - opened with a motor - 180 mm 	Inox	G-U
132.008 D	6-34813-00-R-8	PAS930 	<p>Visina krila 960-2000 mm Sash height 960-2000 mm Težina krila < 200 kg Sash weight < 200 kg Max. otvaranje krila u odnosu na ram: Max. opening distance of the sash from the frame:</p> <ul style="list-style-type: none"> - otvaranje ručkom -150 mm - manually opened -150 mm - otvaranje motorom- 250 mm - opened with a motor - 250 mm 	Inox	G-U
132.008 L	6-34813-00-L-8	PAS930 	<p>Visina krila 960-2000 mm Sash height 960-2000 mm Težina krila < 200 kg Sash weight < 200 kg Max. otvaranje krila u odnosu na ram: Max. opening distance of the sash from the frame:</p> <ul style="list-style-type: none"> - otvaranje ručkom -150 mm - manually opened -150 mm - otvaranje motorom- 250 mm - opened with a motor - 250 mm 	Inox	G-U

Dijagram nosivosti škara G-U
Load diagram of G-U parallel stays

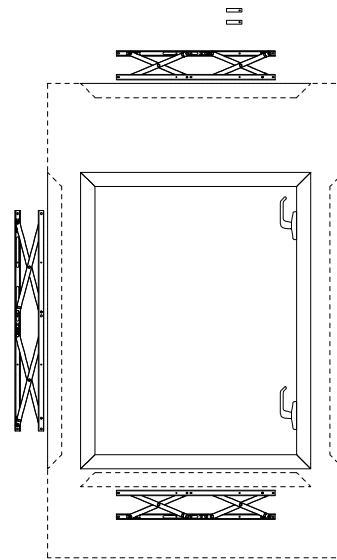
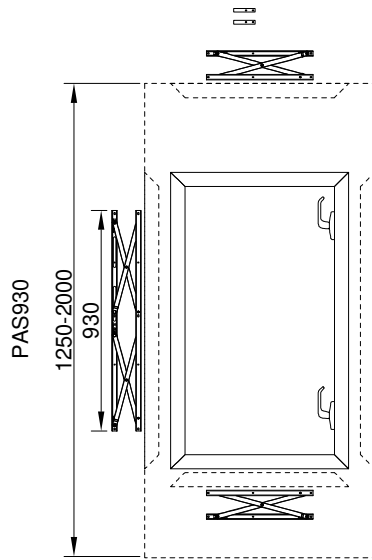


- ① — Otvaranje elektromotorom
- ① — Opened with a motor
- ② — Ručno otvaranje
- ② — Manually opened

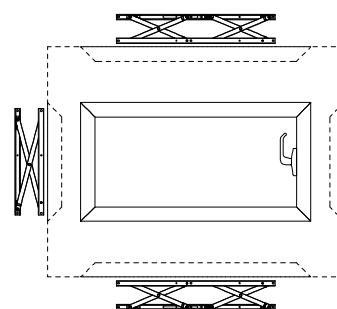
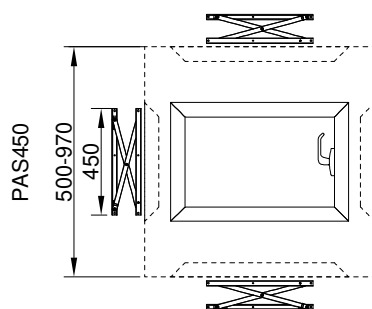
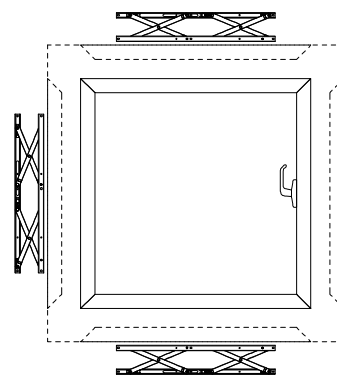
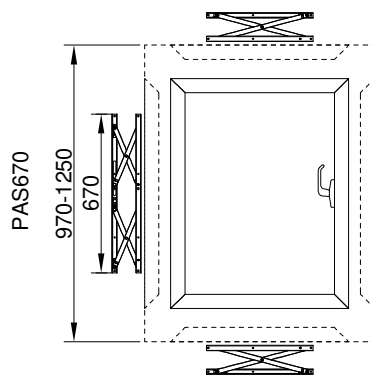
2x HB2 graničnik staviti na 150 mm
jedan sa svake strane okvira
2x HB2 spacer to be placed 150 mm
from each side of the opening

2x HB2 graničnik staviti na 150 mm
jedan sa svake strane okvira
2x HB2 spacer to be placed 150 mm
from each side of the opening

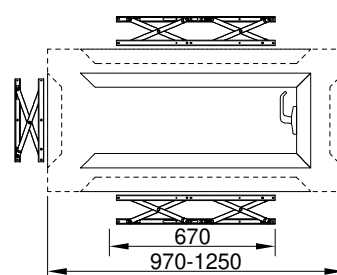
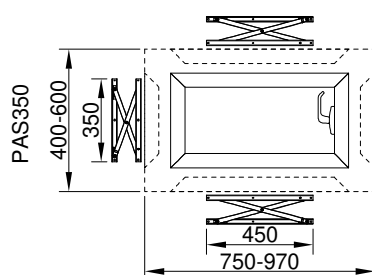
IZBOR SCHEMA ZA RUČNO PARALELNO OTVARANJE G-U
POSITIONING AND SELECTION OF PARALLEL STAYS G-U



dvije ručke prema dolje
two handles downwards



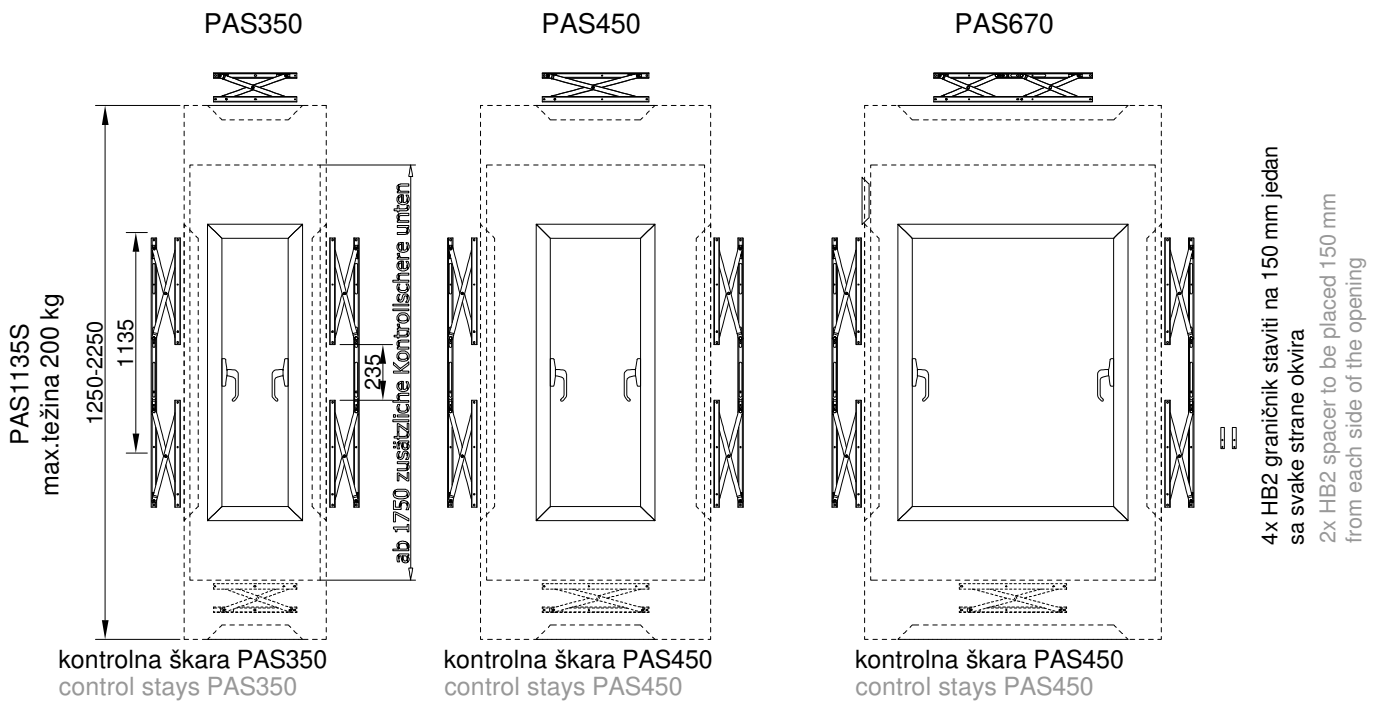
jedna ručka prema dolje
one handle downwards



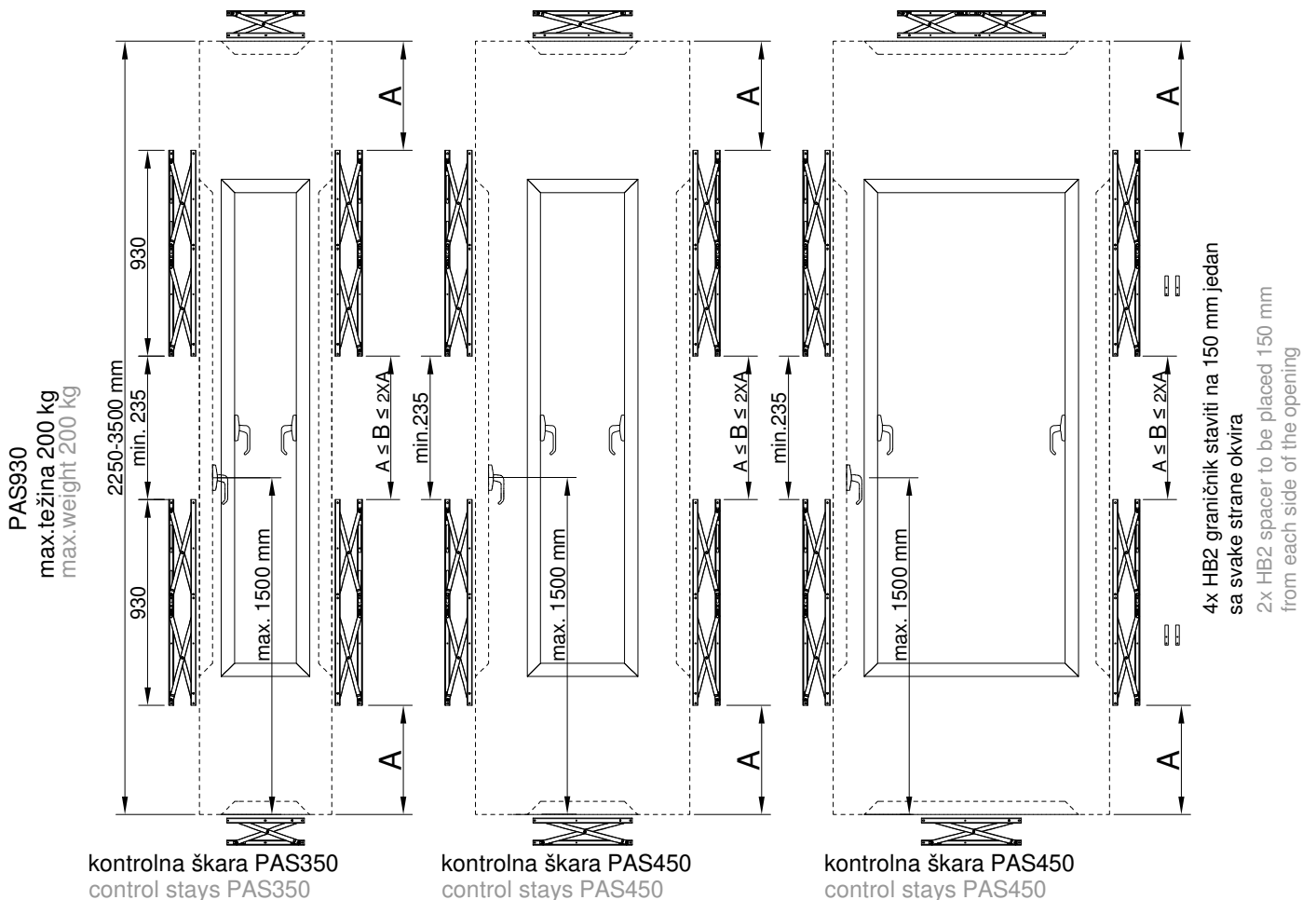
PAS450
max.težina 100 kg
PAS450
max.weight 100 kg

PAS450
max.težina 200 kg
PAS450
max.weight 200 kg

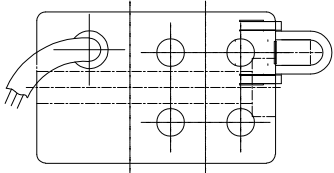
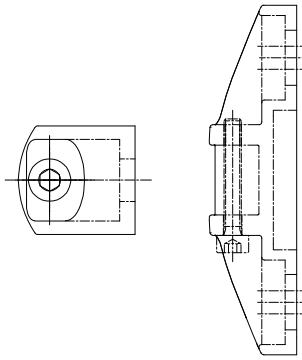
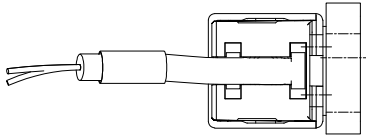
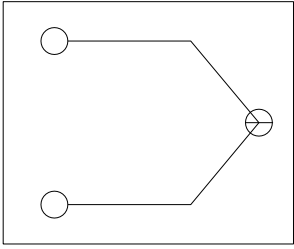
IZBOR SCHEMA ZA RUČNO PARALELNO OTVARANJE-G-U SELECTION AND POSITIONING OF G-U PARALLEL STAYS FOR PARALLEL

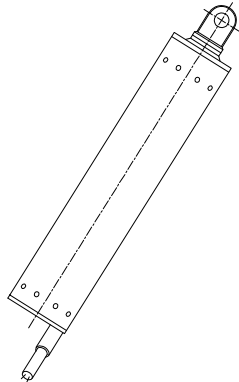
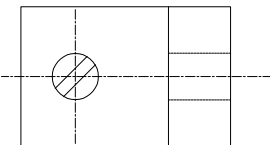
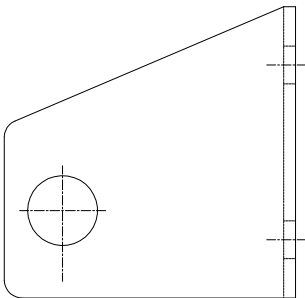
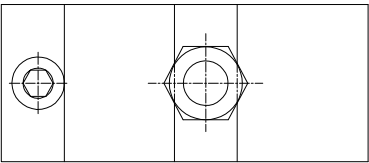
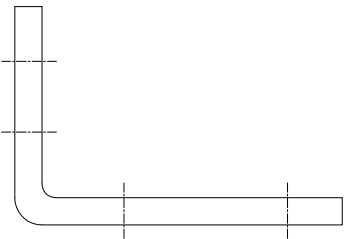


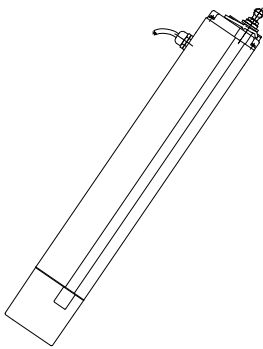
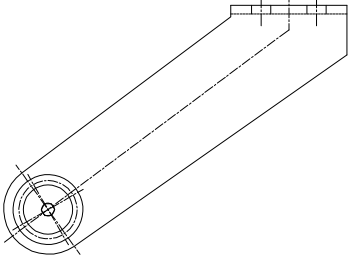
dvije ručke na bočnim stranama two handles on the sides



- zaključavanja ne smije prekoračiti visinu od 1500 mm - locking points must not exceed 1500 mm in height

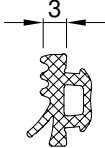
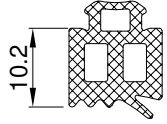
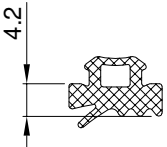
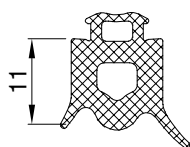
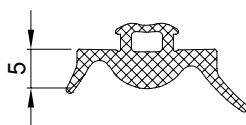
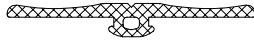

Oznaka Code	Kod proizvođača Manufacturer code	Okov motor Motor accessories	Opis Description	Materijal Material	Proizvođač Manufacturer
142.073	521620		Lančani motor za otvaranje i zatvaranje KS2 200 S12 24V R, hod 200 mm; (paralelno otvaranje) Chain motor for opening and closing KS2 200 S12 24V R; stroke length 200 mm; (parallel opening)	-	G-U
142.072	151440		F41 prihvatnik lanca motora KS2/KS4 Casement bracket F41	-	G-U
142.090	515910		Motor za zaključavanje FVUI 24V Locking motor FVUI 24V	-	G-U
142.076	524177		M-com komunikacijski modul M-com communication module	-	G-U

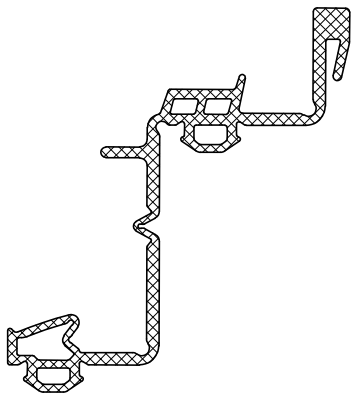
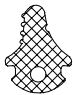
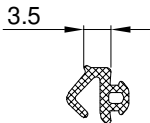
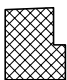
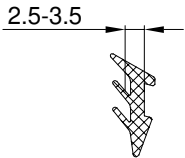
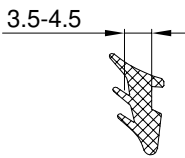
Oznaka Code	Kod proizvođača Manufacturer code	Okov motor Motor accessories	Opis Description	Materijal Material	Proizvođač Manufacturer
142.077 142.078 142.079 142.080 142.081	515210 515220 515230 515240 515250		Motor za krovni prozor s navojnim vretenom 24V Threaded spindle motor for roof window 24V PLA8 100 S12 24V - hod 100 PLA8 200 S12 24V - hod 200 PLA8 300 S12 24V - hod 300 PLA8 400 S12 24V - hod 400 PLA8 500 S12 24V - hod 500	-	G-U
142.082	151000		Prihvatno vreteno na profilu F10.6 Profile bracket spindle F10.6	-	G-U
142.083	155800		Konzola K5 Console K5	Čelik Steel	G-U
142.084	515900		Spojni prsten B4 Coupling ring B4	Al	G-U
142.085	159900		L nosač K21K L bracket K21K	Čelik Steel	G-U

Oznaka Code	Kod proizvođača Manufacturer code	Okov motor Motor accessories	Opis Description	Materijal Material	Proizvođač Manufacturer
142.086 142.087 142.088	496231 496241 496251		Motor za krovni prozor s navojnim vretenom 230V Threaded spindle motor for roof window 24V SP8-Z 300 S2 230V - hod 300 SP8-Z 400 S2 230V - hod 400 SP8-Z 500 S2 230V - hod 500	-	G-U
142.089	151000		Konzola K57.2 Console K57.2	Čelik Steel	G-U

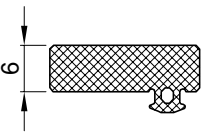
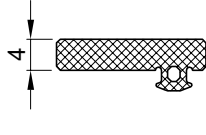
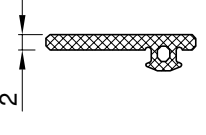
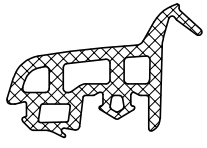
Brtve Gaskets

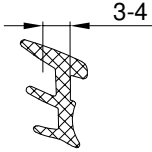
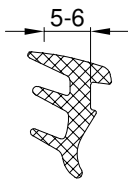
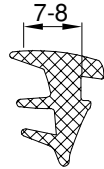
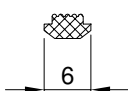
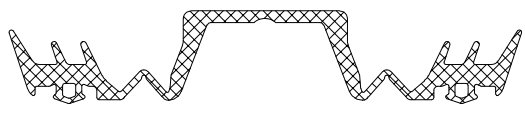
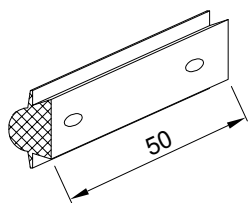
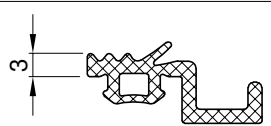
Oznaka Code	Izgled-presjek View- cross section	Opis Description	Materijal Material	Tvrdoća Hardness (ShA)
358.012		<ul style="list-style-type: none"> - Brtva prema staklu /vanjska/ 3.5mm - Stara oznaka: 351.012 - Glass gasket /exterior/ 3.5mm - Former code: 351.012 	EPDM	71
358.017		<ul style="list-style-type: none"> - Brtva prema staklu /unutarnja/ 13mm - Stara oznaka: 351.017 - Glass gasket /interior/ 13mm - Former code: 351.017 	EPDM	71
358.016		<ul style="list-style-type: none"> - Brtva prema staklu /unutarnja/ 11mm - Stara oznaka: 351.016 - Glass gasket /interior/ 11mm - Former code: 351.016 	EPDM	71
358.015		<ul style="list-style-type: none"> - Brtva prema staklu /unutarnja/ 9mm - Stara oznaka: 351.015 - Glass gasket /interior/ 9mm - Former code: 351.015 	EPDM	71
358.014		<ul style="list-style-type: none"> - Brtva prema staklu /unutarnja/ 7mm - Stara oznaka: 351.014 - Glass gasket /interior/ 7mm - Former code: 351.014 	EPDM	71
351.009		<ul style="list-style-type: none"> - Brtva prema staklu /unutarnja/ nosi 6mm - Glass gasket /interior/ 6mm 	EPDM	71
358.013		<ul style="list-style-type: none"> - Brtva prema staklu /unutarnja/ 5mm - Stara oznaka: 351.013 - Glass gasket /interior/ 5mm - Former code: 351.013 	EPDM	71

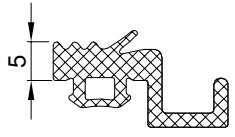
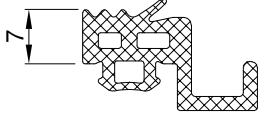
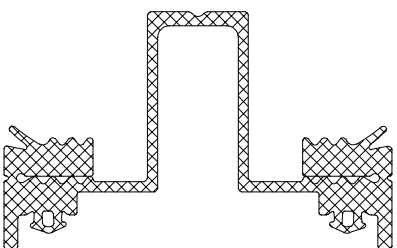
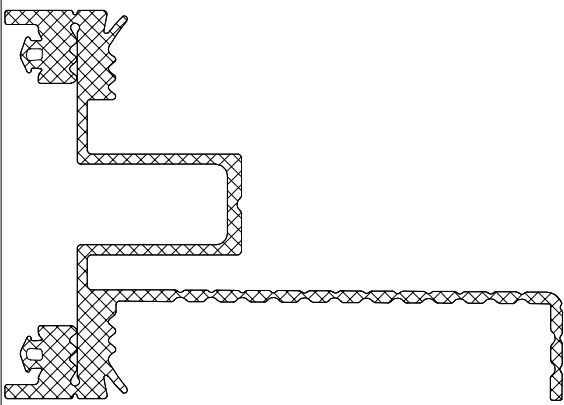
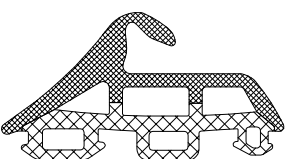
Oznaka Code	Izgled-presjek View- cross section	Opis Description	Materijal Material	Tvrdoća Hardness (ShA)
358.011		- Brtva prema staklu /unutarnja/ 3mm - Stara oznaka: 351.011 - Glass gasket /interior/ 3mm - Former code: 351.011	EPDM	71
351.005		- Brtva prema staklu unutarnja, 10,2 mm - Glass gasket /interior/, 10,2 mm	EPDM	71
351.006		- Brtva prema staklu unutarnja, 4,2 mm - Glass gasket /interior/, 4,2 mm	EPDM	71
358.008		- Brtva prema staklu unutarnja, fasada pod kutom - Stara oznaka: 351.008 - Glass gasket/interior/, angled facade - Former code: 351.008	EPDM	71
358.007		- Brtva prema staklu vanjska, fasada pod kutom - Stara oznaka: 351.007 - Glass facade /exterior/, angled facade - Former code: 351.007	EPDM	71
358.019		- Brtva za fasadu 50FS - Stara oznaka: 351.019 - Structural glazing gasket 50FS - Former code: 351.019	Silicon	71
328.001		Brтва u profilu krila i rama Stara oznaka: 321.001 Sash gasket in sash and frame profile Former code: 321.001	EPDM	61

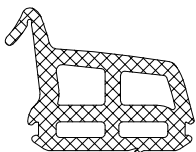

Oznaka Code	Izgled-presjek View- cross section	Opis Description	Materijal Material	Tvrdoća Hardness (ShA)
351.018		<ul style="list-style-type: none"> - Brtva u ramu strukturalne fasade - Stara oznaka: 02984 (200341) - Frame gasket in structural facade - Former code: 02984 (200341) 	EPDM	71
358.021		<ul style="list-style-type: none"> - Brtva u krilu strukturalne fasade - Stara oznaka: 351.021 - Sash gasket in structure facade - Former code: 351.021 	EPDM	71
328.006		<ul style="list-style-type: none"> - Brtva u profilu krila i rama - Gasket in sash and frame profile 	EPDM	60
354.012		<ul style="list-style-type: none"> - Umetak za brtvu 351.018 - Stara oznaka: OFN2762 (200411) - Insert for gasket 351.018 - Former code: OFN2762 (200411) 	EPDM	71
318.001		<ul style="list-style-type: none"> - Brtva prema staklu-unutarnja (3 mm) - Stara oznaka: 311.001 - Gasket to the glass-interior (3 mm) - Former code: 311.001 	EPDM	71
318.002		<ul style="list-style-type: none"> - Brtva prema staklu-unutranja (4 mm) - Stara oznaka: 311.002 - Gasket to the glass-interior (4 mm) - Former code: 311.002 	EPDM	71

Oznaka Code	Izgled-presjek View- cross section	Opis Description	Materijal Material	Tvrdoća Hardness (ShA)
358.020		<ul style="list-style-type: none"> - Brtva za krovni prozor - Stara oznaka: 354.019 - Roof opening gasket - Former code: 354.019 	TPE	71
328.101		<ul style="list-style-type: none"> - Brtva u krilu /vanjska/ - Stara oznaka: 322.001 - Sash gasket /exterior/ - Former code: 322.001 	EPDM	61
358.010		<ul style="list-style-type: none"> - Brtva za poklopnu lajsnu FM 50/12 - Cover cap gasket FM 50/12 - Stara oznaka 358.010 - Former code 358.010 	EPDM	71
334.004		<ul style="list-style-type: none"> - Centralna brtva (Termo 85) - Central gasket (Termo 85) 	TPE	71
328.007		<ul style="list-style-type: none"> - Brtva prema staklu, vanjska - Gasket to the glass, exterior 	EPDM	
328.002		<ul style="list-style-type: none"> - Brtva prema staklu /vanjska/ - Stara oznaka: 321.002 - Glass gasket /exterior/ - Former code: 321.002 	EPDM	61
328.003		<ul style="list-style-type: none"> - Brtva prema staklu /vanjska/ - Stara oznaka: 321.003 - Glass gasket /exterior/ - Former code: 321.003 	EPDM	61

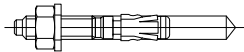
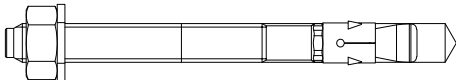
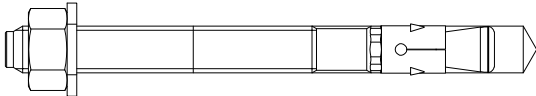
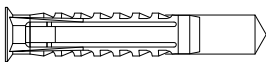
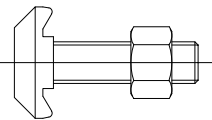
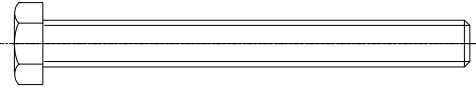
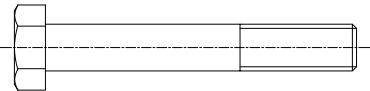
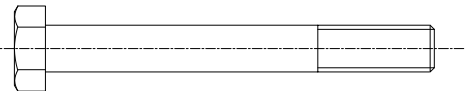
Oznaka Code	Izgled-presjek View- cross section	Opis Description	Materijal Material	Tvrdoća Hardness (ShA)
354.011		<ul style="list-style-type: none"> - Brtva u profilu krila - Stara oznaka: 200 500 - Gasket in sash profile - Former code: 200 500 	ELASTRON G SEBS	65
354.010		<ul style="list-style-type: none"> - Brtva u profilu krila - Stara oznaka: 200 501 - Gasket in sash profile - Former code: 200 501 	ELASTRON G SEBS	65
354.009		<ul style="list-style-type: none"> - Brtva vrata i prozora u fasadi - Stara oznaka: 200 502 - Door and window gasket in facade - Former code: 200 502 	ELASTRON G SEBS	65
351.001		<ul style="list-style-type: none"> - Brtva u profilu rama /unutarnja/ - Gasket in frame profile /interior/ 	EPDM	71
351.002		<ul style="list-style-type: none"> - Centralna brtva - Central gasket 	EPDM	71
351.003		<ul style="list-style-type: none"> - Brtva u ramu fasadnog otvora /vanjska/ - Gasket in facade opening frame /exterior/ 	EPDM	71
318.014		<ul style="list-style-type: none"> -Brtva prema staklu-unutarnja -Gasket to the glass-interior -Stara oznaka 311.014 -Former code 311.014 	EPDM	70±5 ShA

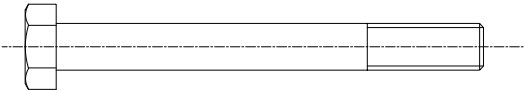
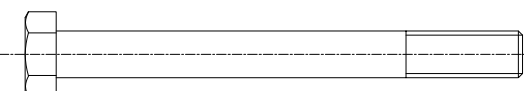
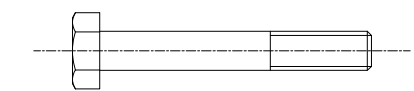
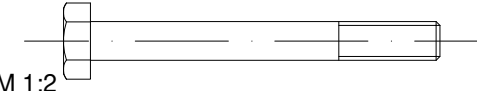

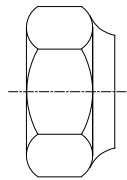
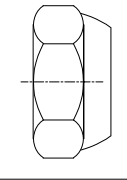


Oznaka Code	Izgled-presjek View- cross section	Opis Description	Materijal Material	Tvrdoća Hardness (ShA)
318.015		-Brtva prema staklu, unutarnja -Gasket to the glass, interior	EPDM	70
318.016		-Brtva prema staklu-unutarnja -Gasket to the glass,-interior	EPDM	70
318.017		-Brtva prema staklu-unutarnja -Gasket to the glass-interior	EPDM	70
340.055		- Odstojna brtva - Spacer gasket	ELASTRON	
351.029		- Vanjska brtva za lajsnu polustrukturalne fasade - Exterior gasket for cover cap of semistructural glazing	EPDM	71
355.001		- Brtva na okomici prema vodoravnici 50 mm - Stara oznaka: 217 585 - Mullion-transom connection gasket 50 mm - Former code: 217 585	EPDM	35
354.015		- Brtva za odvod kondenzata 3 mm - Gasket of condensation drainage 3 mm	TPE	71

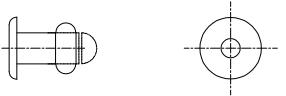
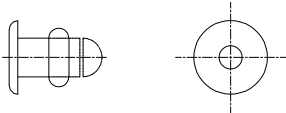


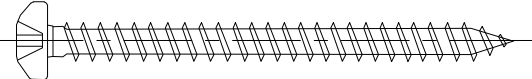
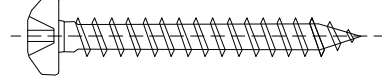
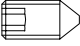
Oznaka Code	Izgled-presjek View- cross section	Opis Description	Materijal Material	Tvrdoća Hardness (ShA)
354.014		<ul style="list-style-type: none"> - Brtva za odvod kondenzata 5 mm - Gasket of condensation drainage 5 mm 	TPE	71
354.016		<ul style="list-style-type: none"> - Brtva za odvod kondenzata 7 mm - Gasket of condensation drainage 7 mm 	TPE	71
350.007		<ul style="list-style-type: none"> - Fasadna brtva na okomici - Spoj fasade na drvo/čelik - Facade mullion gasket - Facade combination with wood/steel 	EPDM	71
350.008		<ul style="list-style-type: none"> - Fasadna brtva na vodoravnici - Spoj fasade na drvo/čelik - Facade transom gasket - Facade combination with wood/steel 	EPDM	71
338.050		<ul style="list-style-type: none"> - Centralna brtva - Central gasket 	EPDM + spužvasti EPDM EPDM + foam EPDM	70 ShA 0.9 g/cm ³

Oznaka Code	Izgled-presjek View- cross section	Opis Description	Materijal Material	Tvrdoća Hardness (ShA)
338.001		-Centralna brtva -Central gasket	EPDM	60 ± 5
317.002		- Brtva u profilu krila - Gasket in sash profile	EPDM + Spužvasti EPDM EPDM + Foam EPDM	60 ShA + 0.90 kg/m ³

Dodaci Accessories

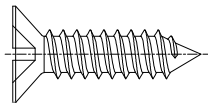
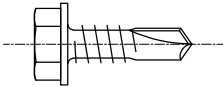
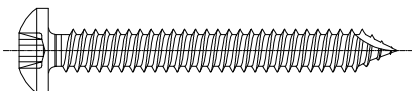
Oznaka Code	Izgled-presjek View-cross section	Opis Descripton
430.001	 <p>M 1:2</p>	fischer FBN 6/5
430.013	 <p>M 1:2</p>	fischer FBN II 10/30
430.020	 <p>M 1:2</p>	fischer FBN II 12/30
430.170		Tipla pvc SX5 X25
430.200		HS 50/30 M16
431.117	 <p>M 1:2</p>	M12x110 DIN 933
431.231	 <p>M 1:2</p>	M12x80 DIN 931
431.234	 <p>M 1:2</p>	M12x100 DIN 931

Oznaka Code	Izgled-presjek View-cross section	Opis Description
431.235	 <p>M 1:2</p>	M12x110 DIN 931
431.236	 <p>M 1:2</p>	M12x120 DIN 931
431.213	 <p>M 1:2</p>	M10x70 DIN 931
431.218	 <p>M 1:2</p>	M10x100 DIN 931
431.301		M3x4 DIN 914
432.016		<ul style="list-style-type: none"> - Matica M12 - DIN 985 - Nut M12 - DIN 985
432.015		<ul style="list-style-type: none"> - Matica M10 - DIN 985 - Nut M10 - DIN 985
432.124		<p>Podloška K12 DIN 9021 Washer K12 DIN 9021</p>
432.120		<p>Podloška K5 DIN 9021 Washer K5 DIN 9021</p>

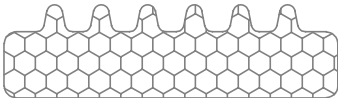
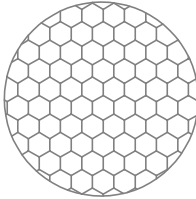
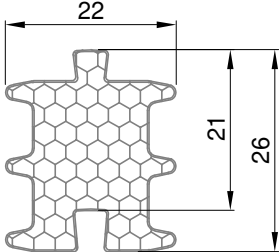
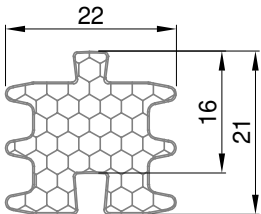
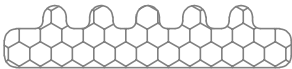
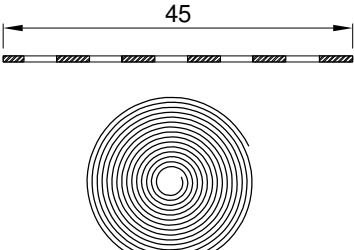
Oznaka Code	Izgled-presjek View-cross section	Opis Descripton
434.008		FN 4/8 Alu
434.014		FN 5/8 Niro
432.123		- Podloška K10 - DIN 9021 - Washer K10 - DIN 9021
432.115		- Podloška U12 - DIN 125 - Washer U12 - DIN 125
433.214		- Vijak za drvo M5x60 DIN 9048 - 104405096 Spax Halbrundkopf - Screw for wood M5x60 DIN 9048 - 104405096 Spax Halbrundkopf
433.215		- Vijak za drvo M5x40 DIN 9048 - Screw for wood M5x40 DIN 9048
431.329		M5x10 DIN 914

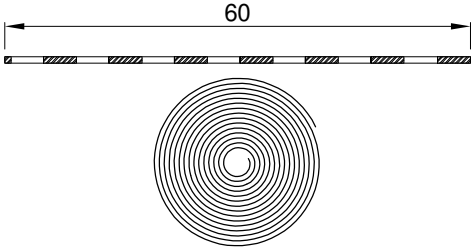
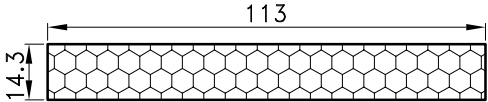
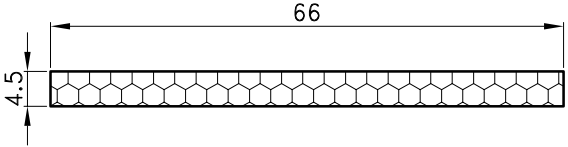
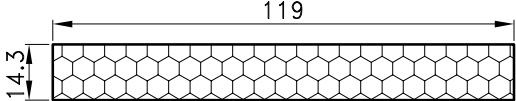
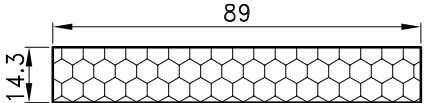
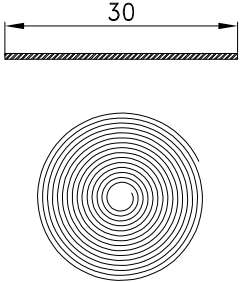
Oznaka Code	Opis Description	Izgled-presjek View-cross section	Materijal Material	Napomena Remark
433.002	3.5x9.5 DIN 7981		Inox A2	
433.004	3.5x16 DIN 7981			
433.006	3.5x22 DIN 7981			
433.015	3.9x9.5 DIN 7981			
433.016	3.9x13 DIN 7981			
433.017	3.9x16 DIN 7981			
433.019	3.9x22 DIN 7981			
433.040	4.8x9.5 DIN 7981			
433.041	4.8x13 DIN 7981			
433.042	4.8x16 DIN 7981			
433.043	4.8x19 DIN 7981			
433.044	4.8x22 DIN 7981			
433.045	4.8x25 DIN 7981			
433.046	4.8x32 DIN 7981			
433.047	4.8x38 DIN 7981			
433.048	4.8x45 DIN 7981			
433.049	4.8x50 DIN 7981			
433.178	4.8x55 DIN 7981			
433.050	4.8x60 DIN 7981			
433.051	4.8x70 DIN 7981			
433.052	4.8x80 DIN 7981			
433.053	4.8x90 DIN 7981			
433.054	4.8x100 DIN 7981			
433.077	6.3x25 DIN 7981			

Oznaka Code	Opis Description	Izgled-presjek View-cross section	Materijal Material	Napomena Remark
433.090	3.5x9.5 DIN 7982		Inox A2	
433.091	3.5x13 DIN 7982			
433.092	3.5x16 DIN 7982			
433.093	3.5x19 DIN 7982			
433.094	3.5x22 DIN 7982			
433.095	3.5x25 DIN 7982			
433.096	3.5x32 DIN 7982			
433.104	3.9x13 DIN 7982			
433.105	3.9x16 DIN 7982			
433.107	3.9x22 DIN 7982			
433.116	4.2x13 DIN 7982			
433.117	4.2x16 DIN 7982			
433.118	4.2x19 DIN 7982			
433.129	4.8x16 DIN 7982			
433.132	4.8x25 DIN 7982			
433.133	4.8x32 DIN 7982			
433.134	4.8x38 DIN 7982			
433.135	4.8x45 DIN 7982			
433.136	4.8x50 DIN 7982			
433.177	4.8x55 DIN 7982			
433.137	4.8x60 DIN 7982			
433.138	4.8x70 DIN 7982			
433.150	5.5x50 DIN 7982			
433.152	5.5x60 DIN 7982			

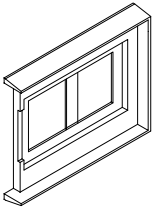
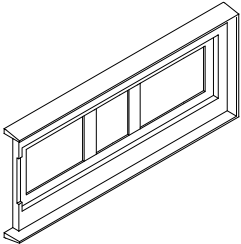
Oznaka Code	Opis Description	Izgled-presjek View-cross section	Materijal Material	Napomena Remark
433.164	6.3x25 DIN 7982		Inox A2	
433.200	6.3x25 DIN 7504-K		Čelik Zn	
433.206	AW-A4-5,5x45 mm		Inox	
433.217	AW-A4-5,5x40 mm			
433.207	AW-A4-5,5x65 mm			

Oznaka Code	Izgled-presjek View-cross section	Opis Description	Materijal Material	Napomena Remark
365.028		<ul style="list-style-type: none"> - Gumeni umetak za prebacivanje kapljevina na spoju okomica-50 FK - Stara znaka: OS 501 - Mullion joint rubber insert for drainage transition-50 FK - Former code: OS 501 	TPE	
363.021		<ul style="list-style-type: none"> - Umetak za izvod kapljevina-50 FK - Drainage spout 	Tvrda guma	
347.004		<ul style="list-style-type: none"> - Četkasta brtva 7x5.5 - Stara oznaka: PB*HFC - Brush gasket 7x5.5 - Former code: PB*HFC 		
366.018		<ul style="list-style-type: none"> - Kutnik centralne brtve 351.002 - Corner for central gasket 351.002 	EPDM	
363.099		<ul style="list-style-type: none"> - Fasadni umetak za prebacivanje kapljevine - Facade insert for transferring liquids 	EPDM	

Oznaka Code	Opis Description	Izgled-presjek View-cross section	Materijal Material	Napomena Remark
340.013		- Izolacijska ispuna s ljepljivom trakom (43x12) - Facade insulation with a sticky band (43x12)	XPE	
340.035		- Izolacijski ispuna Ø24 mm /Nomatec/ - Oznaka proizvođača: 3000166 - Isolation profile Ø24 mm /Nomatec/ - Manufacturer code: 3000166		
340.017		- Izolacijska uspuna (22x26) za fasadu 50 FK - Facade insulation (22x26) for 50 FK	XPE	
340.015		- Izolacijska ispuna (22x21) za fasadu 50 FK - Facade insulation (22x21) for 50 FK	XPE	
348.002		- Izolacijska ispuna s ljepljivom trakom (37x8) - Facade insulation with a sticky band (37x8)	PPE	
421.001		- Butilna traka 45 mm x 0,8mm (rola 10m) - Butyl tape 45 mm x 0,8mm (roled 10m)	-	

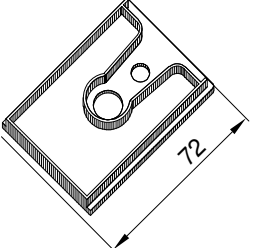
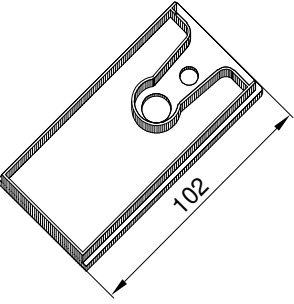
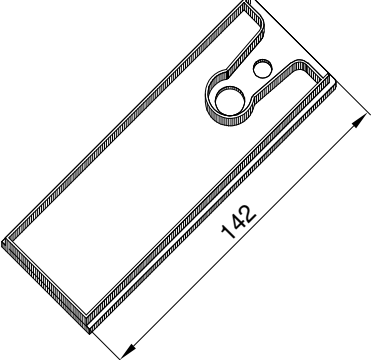
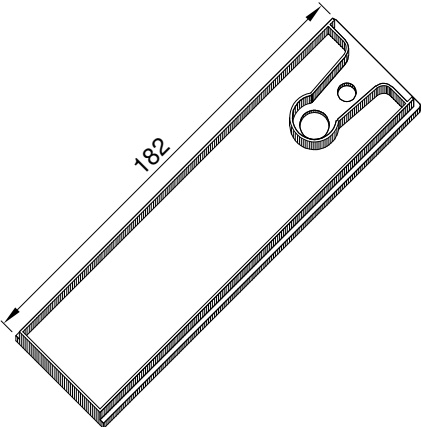
Oznaka Code	Opis Description	Izgled-presjek View-cross section	Materijal Material	Napomena Remark
421.006		<ul style="list-style-type: none"> - Butilna traka 60mm x 0,8mm (rola 10m) - Butyl tape 60mm x 0,8mm (roled 10m) 	-	
340.419	 <p>M 1:2</p>	<ul style="list-style-type: none"> - Termoblok za komoru:14,8x114 Za profil: FT-0194F - Termoblock for chamber:14,8x114 For profile: FT-0194F 	XPS	
340.420		<ul style="list-style-type: none"> - Termoblok za komoru:5x67 Za profil: FT-0194F - Termoblock for chamber:5x67 For profile: FT-0194F 	XPS	
340.421	 <p>M 1:2</p>	<ul style="list-style-type: none"> - Termoblok za komoru:14,8x120 Za profil: FT-0196F - Termoblock for chamber:14,8x120 For profile: FT-0196F 	XPS	
340.511	 <p>M 1:2</p>	<ul style="list-style-type: none"> - Termoblok za komoru:14,8x90 Za profile: FT-1800F i FT-1801F - Termoblock for chamber:14,8x90 For profiles: FT-1800F & FT-1801F 	XPS	
421.007		<ul style="list-style-type: none"> - EPDM folija 30 mm x 0,75 mm (rola 25 m) - EPDM foil 30 mm x 075 mm (roled 25 m) 	EPDM	

Oznaka Code	Izgled-presjek View-cross section	Opis Description	Materijal Material	Napomena Remark
366.005		<ul style="list-style-type: none"> - Gumeni odstožnik za vodoravnicu FMV 50/88 - Stara znaka: DG 502/88 - Dilatation rubber for transom FMV 50/88 - Former code: DG 502/88 	TPE	
365.033		<ul style="list-style-type: none"> - Gumeni odstožnik za vodoravnicu FMV 50/118 - Stara oznaka DG 502/118 - Dilatation rubber for transom FMV 50/118 - Former code: DG 502/118 	TPE	
366.006		<ul style="list-style-type: none"> - Gumeni odstožnik za vodoravnicu FMV 50/158 - Stara oznaka DG 502/158 - Dilatation rubber for transom FMV 50/158 - Former code: DG 502/158 	TPE	
366.007		<ul style="list-style-type: none"> - Gumeni odstožnik za vodoravnicu FMV 50/198 - Stara oznaka DG 502/198 - Dilatation rubber for transom FMV 50/198 - Former code: DG 502/198 	TPE	
366.008		<ul style="list-style-type: none"> - Gumeni odstožnik za pom.vodoravnicu FVS 50/158 - Stara oznaka DG 502/158-A - Dilatation rubber for auxiliary transom FVS 50/158 - Former code: DG 502/158-A 	TPE	
366.009		<ul style="list-style-type: none"> - Gumeni odstožnik za pom.vodoravnicu FVS 50/118 - Stara oznaka DG 502/118-A - Dilatation rubber for auxiliary transom FVS 50/118 - Former code: DG 502/118-A 	TPE	

Oznaka Code	Izgled-presjek View-cross section	Opis Description	Materijal Material	Napomena Remark
366.010		<ul style="list-style-type: none"> - Gumeni odstožnik za pom.vodoravnicu FVS 50/88 - Stara oznaka: DG 502/88-A - Dilatation rubber for auxiliary transom FVS 50/88 - Former code: DG 502/88-A 	TPE	
366.011		<ul style="list-style-type: none"> - Gumeni odstožnik za vodoravnicu FMV 50/138 - Dilatation rubber for transom FMV 50/138 	TPE	

Oznaka Code	Izgled-presjek View-cross section	Opis Description	Materijal Material	Napomena Remark
361.003		<ul style="list-style-type: none"> - Ravni gumeni odstožnik za vodoravnicu FMV 50/88 - Stara znaka: DG 503/88 - Flat dilatation rubber for transom FMV 50/88 - Former code: DG 503/88 	TPE	
361.004		<ul style="list-style-type: none"> - Ravni gumeni odstožnik za vodoravnicu FMV 50/118 - Stara znaka: DG 503/118 - Flat dilatation rubber for transom FMV 50/118 - Former code: DG 503/118 	TPE	
361.005		<ul style="list-style-type: none"> - Ravni gumeni odstožnik za vodoravnicu FMV 50/158 - Stara znaka: DG 503/158 - Flat dilatation rubber for transom FMV 50/158 - Former code: DG 503/158 	TPE	
361.006		<ul style="list-style-type: none"> - Ravni gumeni odstožnik za vodoravnicu FMV 50/198 - Stara znaka: DG 503/198 - Flat dilatation rubber for transom FMV 50/198 - Former code: DG 503/198 	TPE	
361.007		<ul style="list-style-type: none"> - Ravni gumeni odstožnik za pom.vodoravnicu FVS 50/158 - Stara oznaka: DG 503/158-P - Flat dilatation rubber for auxiliary transom FVS 50/158 - Former code: DG 503/158-P 	TPE	
361.032		<ul style="list-style-type: none"> - Ravni gumeni odstožnik za vodoravnicu FMV 50/268 - Flat dilatation rubber for transom FMV 50/268 		

Oznaka Code	Izgled-presjek View-cross section	Opis Description	Materijal Material	Napomena Remark
361.008		<ul style="list-style-type: none"> -Ravni gumeni odstožnik za pom.vodoravnicu FVS 50/118 -Stara oznaka: DG 503/118-P -Flat dilatation rubber for auxiliary transom FVS 50/118 -Former code: DG 503/118-P 	TPE	
361.009		<ul style="list-style-type: none"> -Ravni gumeni odstožnik za pom.vodoravnicu FVS 50/88 -Stara oznaka: DG 503/88-A -Flat dilatation rubber for auxiliary transom FVS 50/88 -Former code: DG 503/88-A 	TPE	
361.011		<ul style="list-style-type: none"> -Ravni gumeni odstožnik za vodoravnicu FMV 50/138 -Flat dilatation rubber for transom FMV 50/138 	TPE	
361.012		<ul style="list-style-type: none"> -Ravni gumeni odstožnik za pomoćnu vodoravnicu FVS 50/138 -Flat dilatation rubber for auxiliary transom FVS 50/138 	TPE	
361.013		<ul style="list-style-type: none"> -Ravni gumeni odstožnik za pomoćnu okomicu FPO 50/136 -Flat dilatation rubber for auxiliary transom FPO 50/136 	TPE	
361.010		<ul style="list-style-type: none"> -Gumeni odstožnik za vodoravnicu FMV 50/32 -Stara oznaka: DG 503/32 -Flat dilatation rubber for transom FMV 50/32 -Former code: DG 503/32 	TPE	

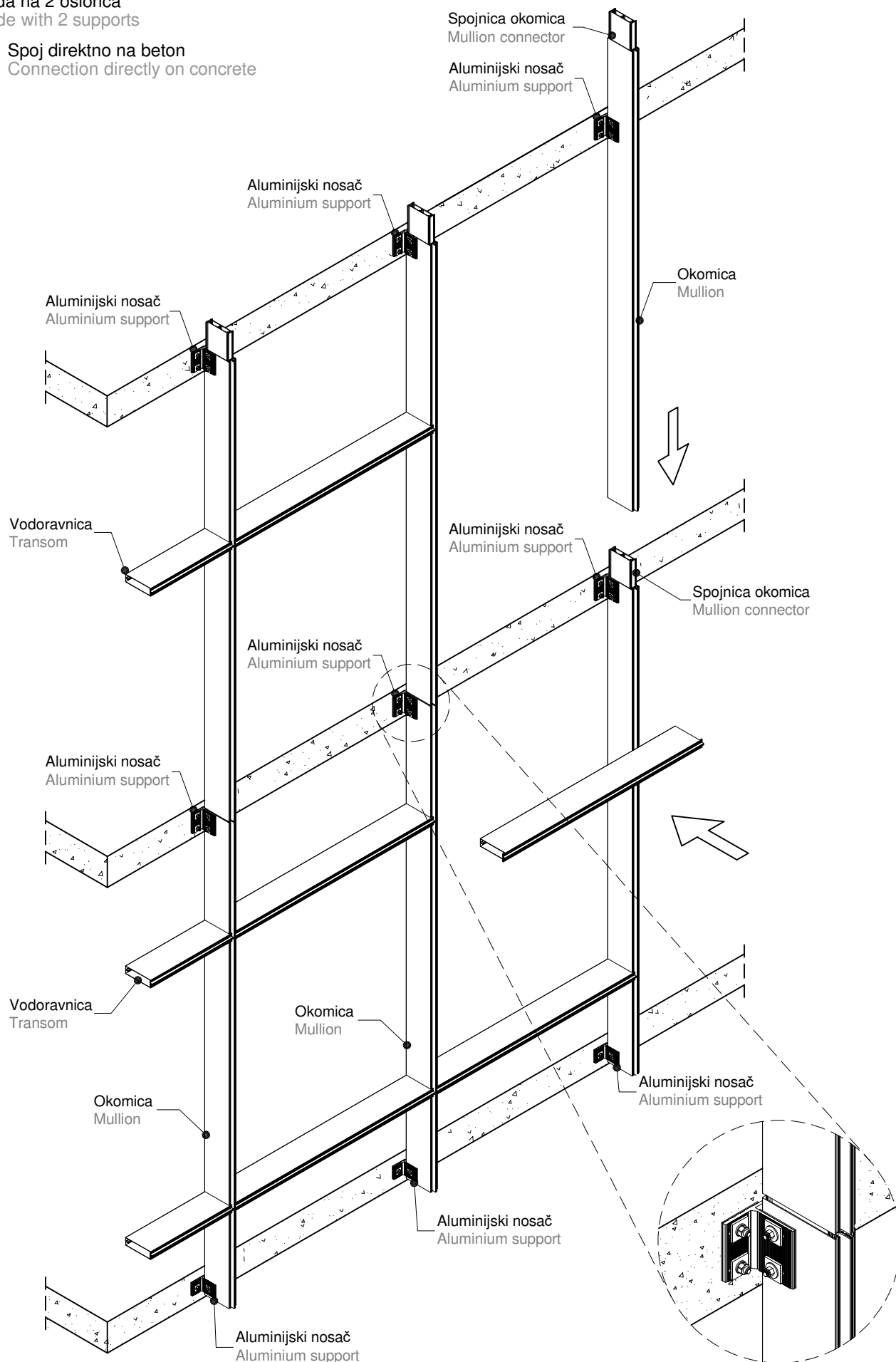
Oznaka Code	Izgled-presjek View-cross section	Opis Description	Materijal Material	Napomena Remark
365.029		<ul style="list-style-type: none"> - Gumeni odstožnik za vodoravnicu FMV 50/88 - Stara znaka: DG 501/88 - Dilatation rubber for transom FMV 50/88 - Former code: DG 501/88 	TPE	
365.030		<ul style="list-style-type: none"> - Gumeni odstožnik za vodoravnicu FMV 50/118 - Stara znaka: DG 501/118 - Dilatation rubber for transom FMV 50/118 - Former code: DG 501/118 	TPE	
365.031		<ul style="list-style-type: none"> - Gumeni odstožnik za vodoravnicu FMV 50/158 - Stara znaka: DG 501/158 - Dilatation rubber for transom FMV 50/158 - Former code: DG 501/158 	TPE	
365.032		<ul style="list-style-type: none"> - Gumeni odstožnik za vodoravnicu FMV 50/198 - Stara znaka: DG 501/198 - Dilatation rubber for transom FMV 50/198 - Former code: DG 501/198 	TPE	

Obrada i montaža

Processing and montage

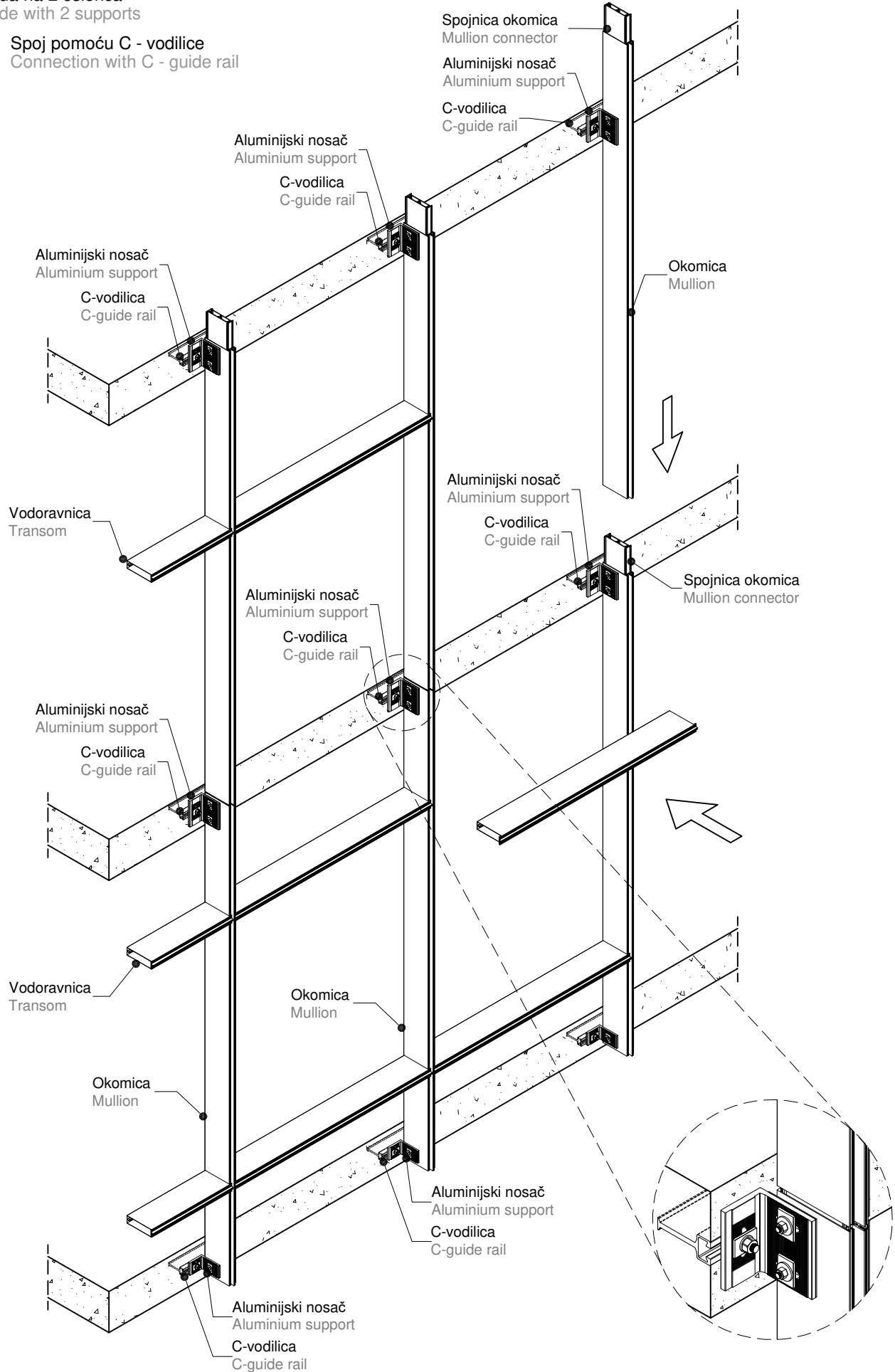
Fasada na 2 oslonca Facade with 2 supports

- Spoj direktno na beton
- Connection directly on concrete



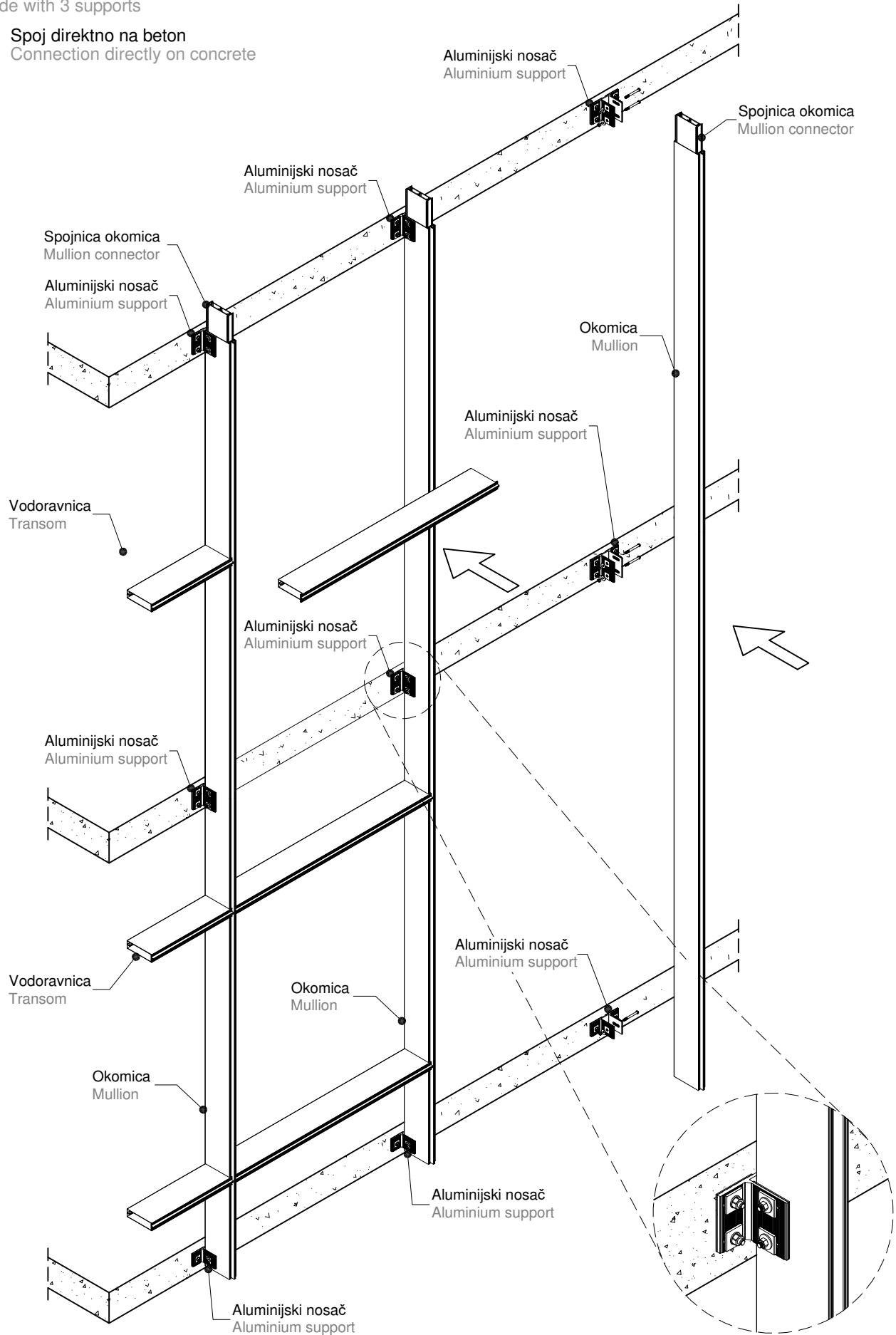
Fasada na 2 oslonca Facade with 2 supports

- Spoj pomoću C - vodilice
- Connection with C - guide rail



Fasada na 3 oslonca Facade with 3 supports

- Spoj direktno na beton
- Connection directly on concrete



- Galvanska korozija između različitih materijala

- Električno tj. galvanski izolirati metalne dijelove

Na mjestima gdje god je to moguće, različite metalne dijelove koji se moraju povezati treba mehanički i galvanski odvajati kao što je prikazano na detalju. To se može izvesti različitim izolacijskim materijalima ili tekućim brtvilima, što ovisi o mjestu montaže i kvaliteti zahtijevanog spoja. Cilj je jedino razdvajanje različitih metala kako se ne bi dodirivali.

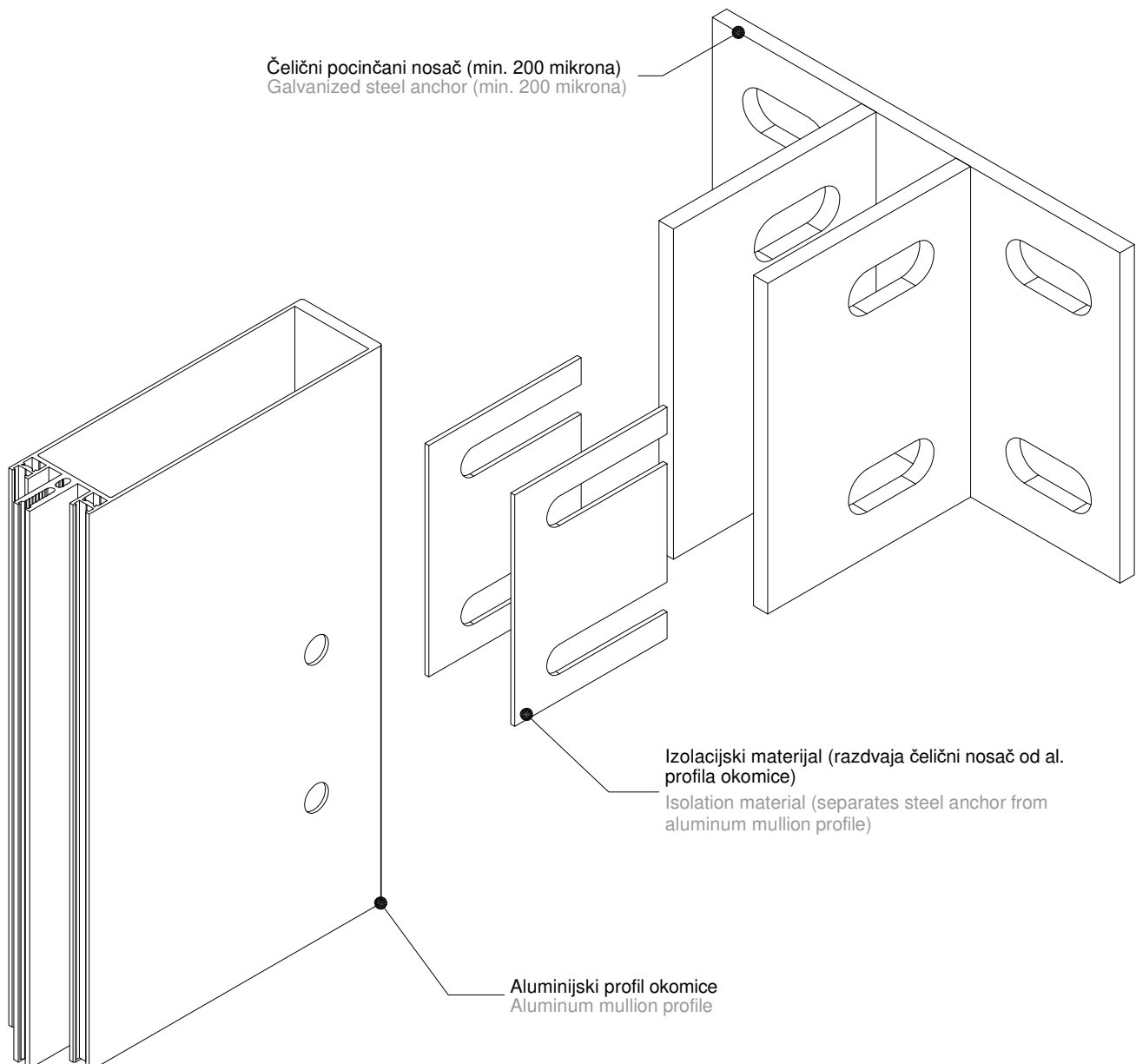
U slučaju da umjesto aluminijskog nosača okomice koristimo čelični potrebno je razdvojiti čelik od aluminijskog izolatorskim materijalom.

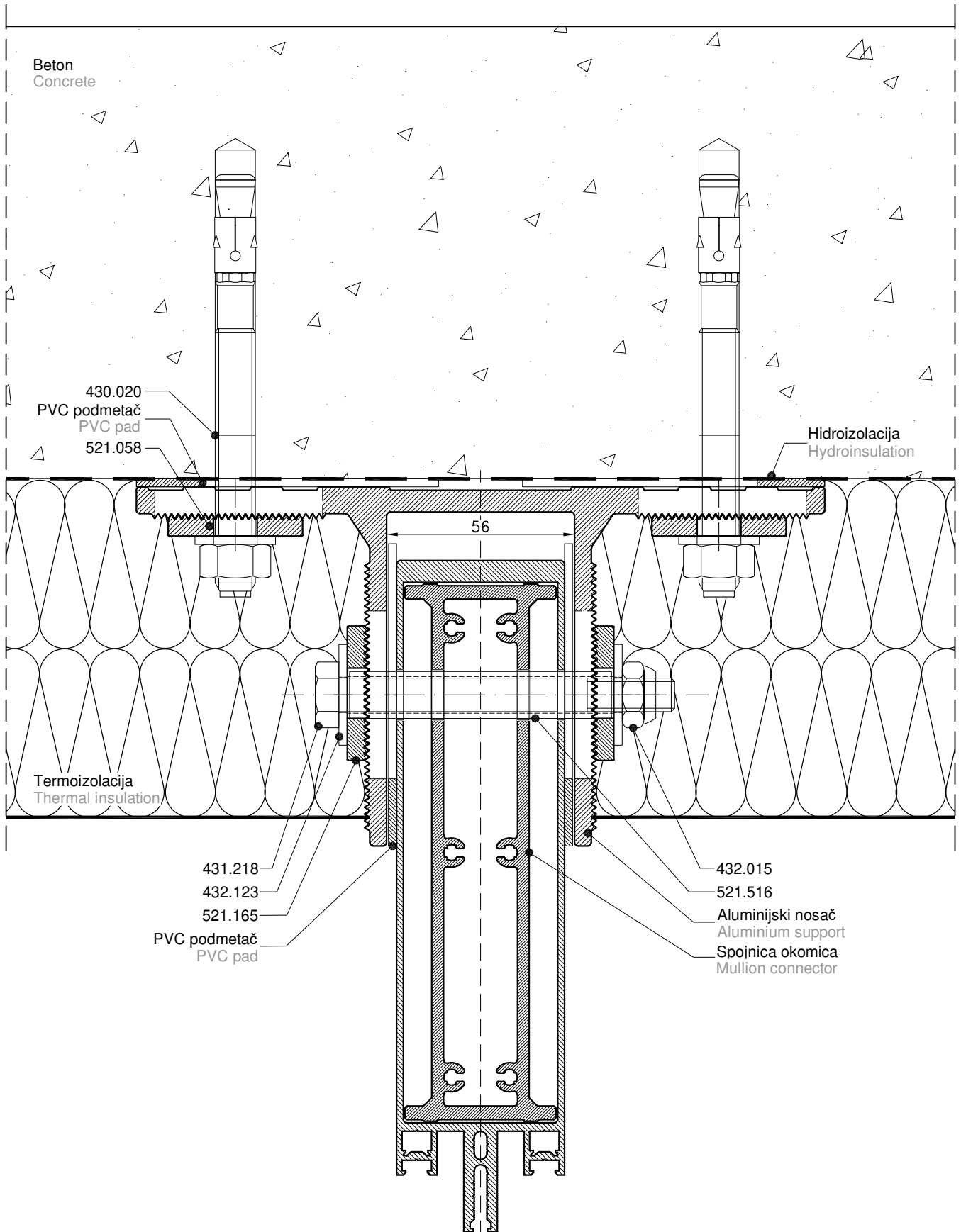
- Galvanic corrosion between two different materials

- Metal components to be electrically ie. galvanically isolated

On places where plausible, different metal parts that need to connect should be mechanically and galvanically separated, as shown on detail. That can be done with different isolation materials or liquid sealants, which depends on montage place and required quality of wanted joint. The goal is solely that different metals do not touch.

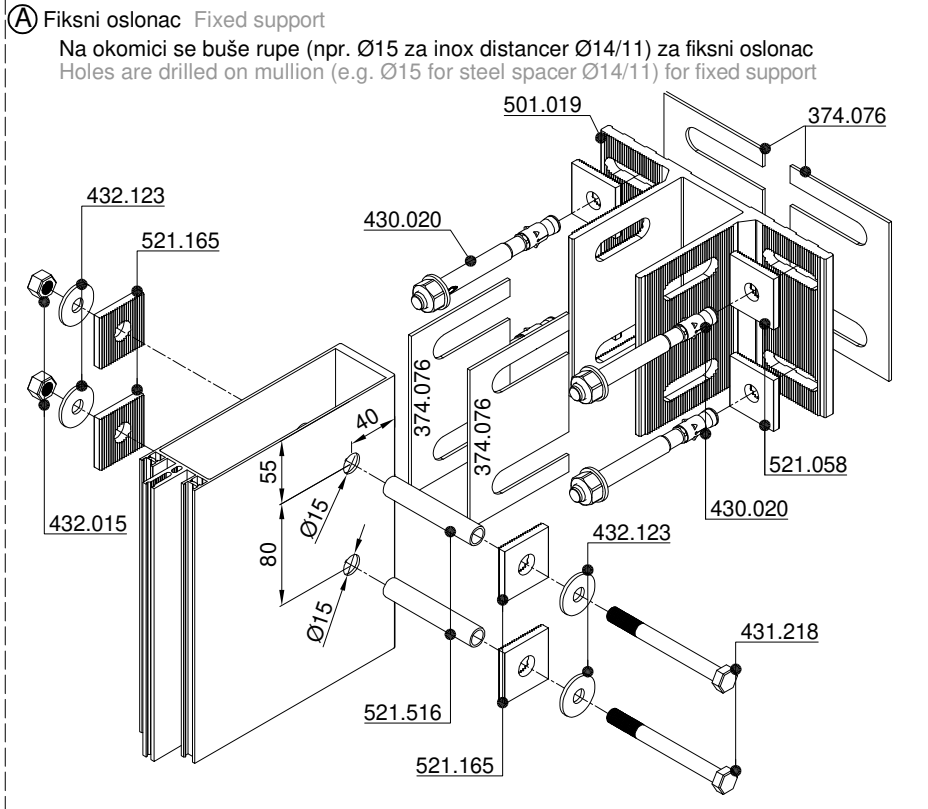
In case of using steel anchors instead of aluminum ones, it is necessary to separate steel from aluminum with isolation material.



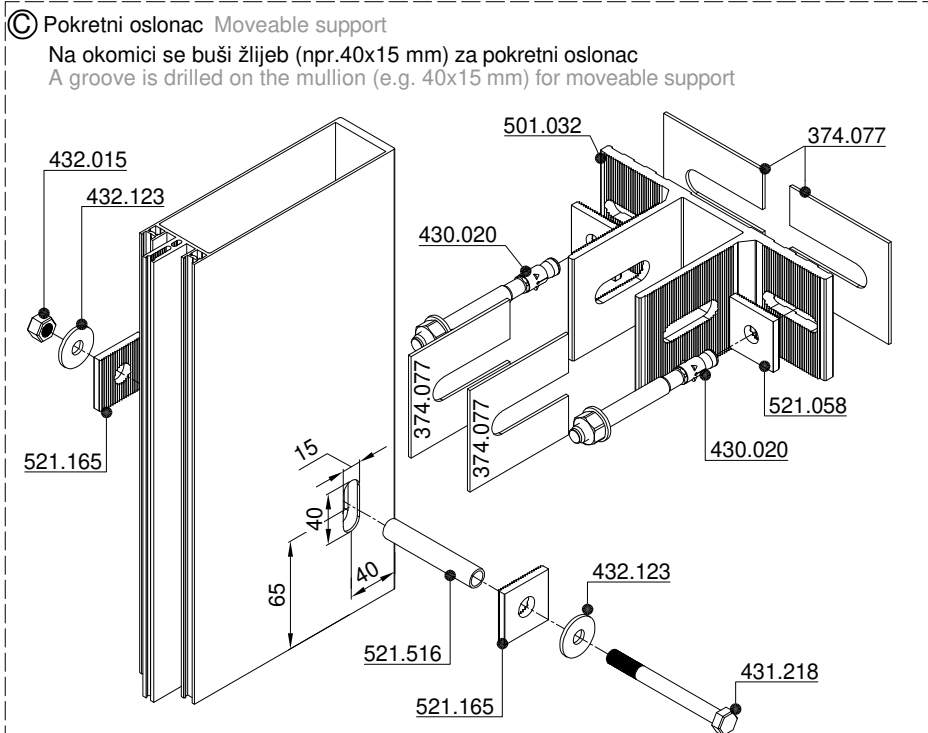


Fasada na 2 oslonca Facade with 2 supports

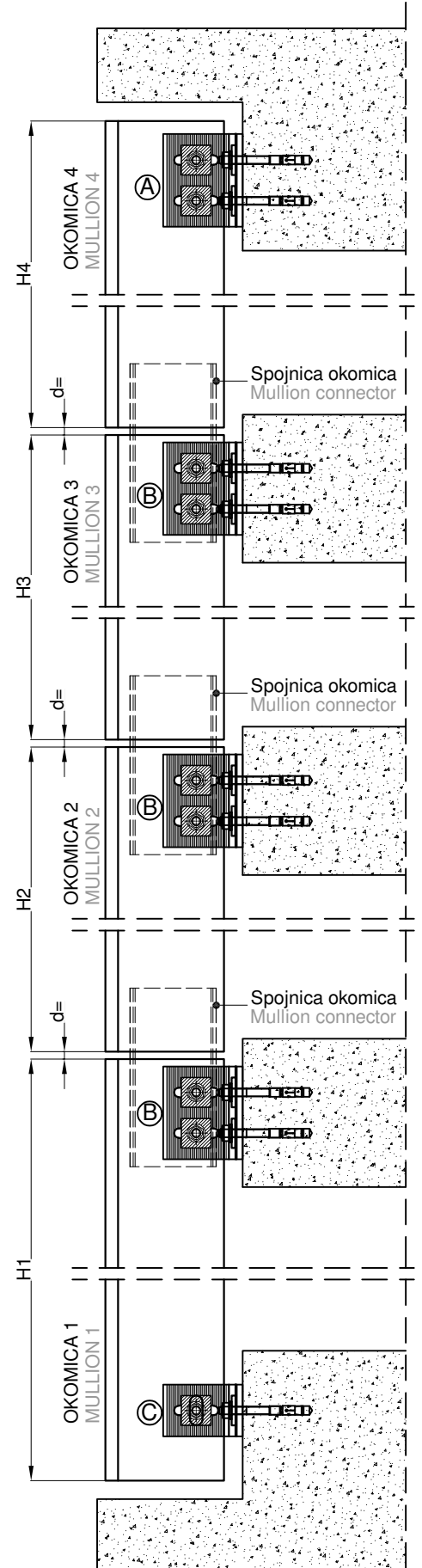
H1-visina okomice 1 H1-mullion height 1 H3-visina okomice 3 H3-mullion height 3
H2-visina okomice 2 H2-mullion height 2 H4-visina okomice 4 H4-mullion height 4



- | | |
|---------------------------------------|----------------------------------|
| 374.076 - PVC podmetač (374.077) | 521.165 - Alumijska podloška |
| 374.076 - PVC pad (374.077) | 521.165 - Aluminium washer |
| 501.019 - Alumijski nosač (501.032) | 521.516 - Inox distancer |
| 501.019 - Aluminium carrier (501.032) | 521.516 - Stainless steel spacer |
| 521.058 - Alumijska podloška | 432.123 - Podloška (DIN 9021) |
| 521.058 - Aluminium washer | 432.123 - Washer (DIN 9021) |
| 431.218 - Vijak M10 (DIN 931) | 432.015 - Matica M10 (DIN 985) |
| 431.218 - Screw M10 (DIN 931) | 432.015 - Nut M10 (DIN 985) |
| 430.020 - Tipl vijak za beton | |
| 430.020 - Anchor for concrete | |



Vijčanu vezu učvrstiti upotrebom moment ključa i moment silom od 4 Nm.
Tighten the screw connection using a torque wrench and a torque force of 4 Nm.



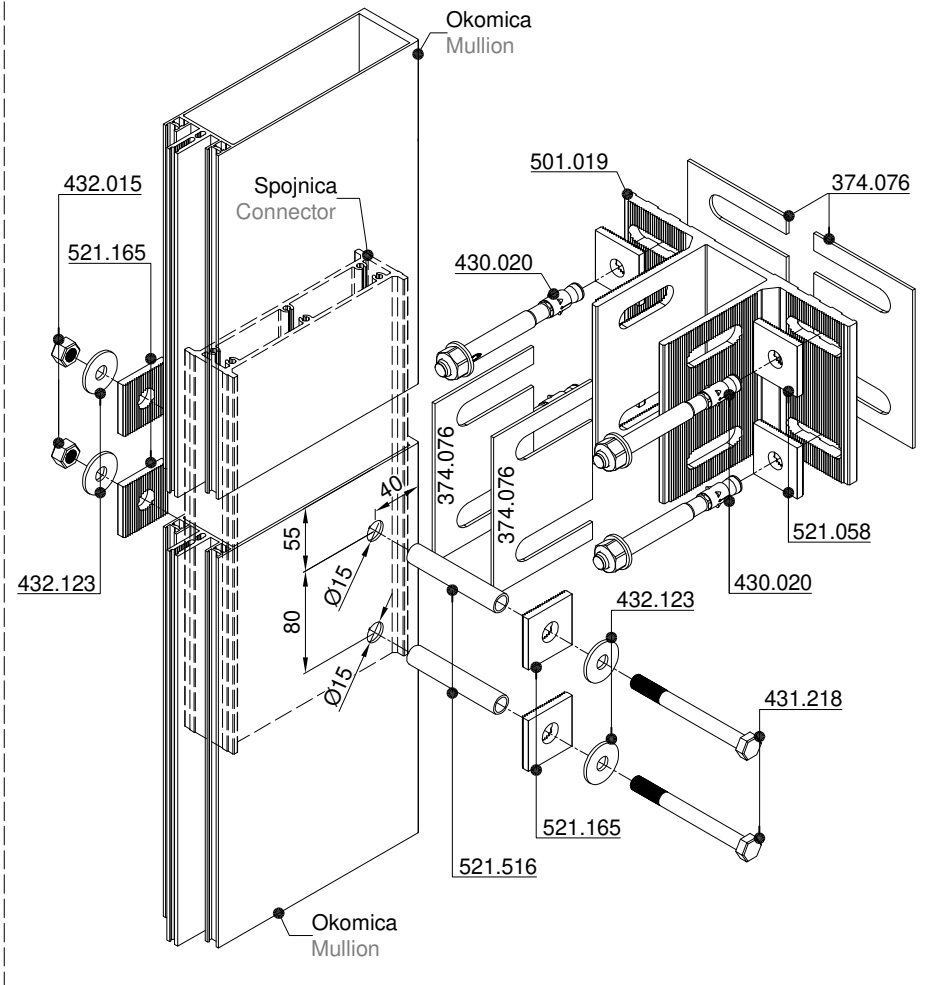
d-dilatacijski prostor između dvije okomice
d-dilatation space between two mullions

Fasada na 2 oslonca Facade with 2 supports

H1-visina okomice 1 H1-mullion height 1 H3-visina okomice 3 H3-mullion height 3
H2-visina okomice 2 H2-mullion height 2 H4-visina okomice 4 H4-mullion height 4

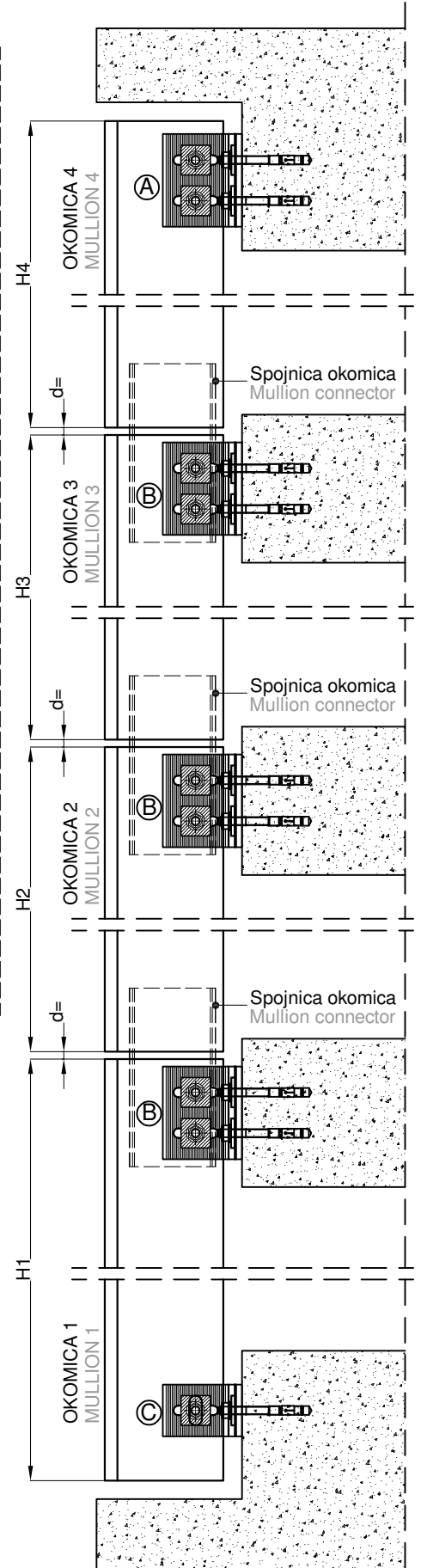
Ⓑ Fiksni i pokretni oslonac Fixed and moveable support

Za kombinaciju fiksnog i pokretnog oslonca, između okomica ubacuje se spojnica okomica koja služi kao pokretni oslonac gornje okomice
For a combination of fixed and movable support, a connector is inserted between the mullions, which serves as a movable support for the upper mullion



- | | |
|---------------------------------|----------------------------------|
| 374.076 - PVC podmetač | 521.165 - Aluminijaska podloška |
| 374.076 - PVC pad | 521.165 - Aluminium washer |
| 501.019 - Aluminijaski nosač | 521.516 - Inox distancer |
| 501.019 - Aluminium carrier | 521.516 - Stainless steel spacer |
| 521.058 - Aluminijaska podloška | 432.123 - Podloška (DIN 9021) |
| 521.058 - Aluminium washer | 432.123 - Washer (DIN 9021) |
| 431.218 - Vijak M10 (DIN 931) | 432.015 - Matica M10 (DIN 985) |
| 431.218 - Screw M10 (DIN 931) | 432.015 - Nut M10 (DIN 985) |
| 430.020 - Tipl vijak za beton | |
| 430.020 - Anchor for concrete | |

Okomica Mullion	Spojnica okomica Mullion connector	Dužina spojnice Connector lenght
FMO 50/200	SB-072	160 mm
FMO 50/160	SB-071	116.5 mm
FMO 50/140	SB-070	99.7 mm
FMO 50/120	SB-069	80 mm
FMO 50/90	SB-067/M	50 mm



Vijčanu vezu učvrstiti upotrebom moment ključa i moment silom od 4 Nm.
Tighten the screw connection using a torque wrench and a torque force of 4 Nm.

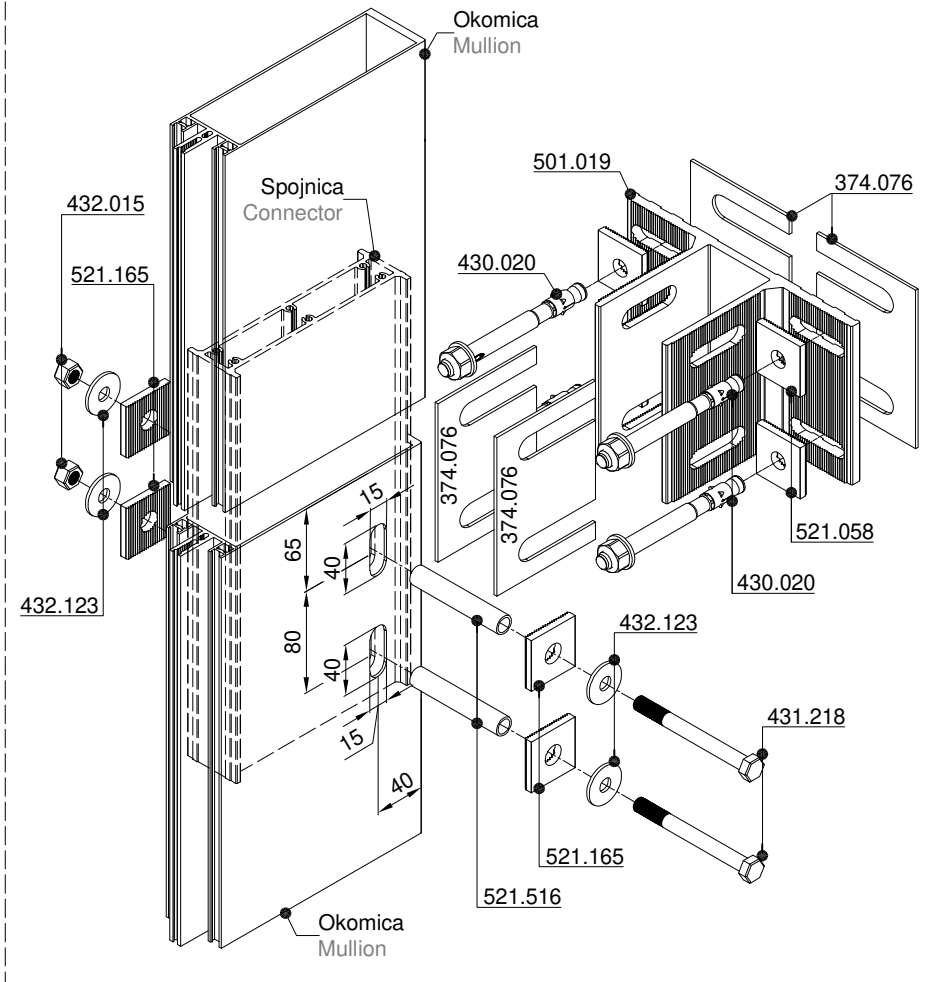
d-dilatacijski prostor između dvije okomice
d-dilatation space between two mullions

Fasada na 3 oslonca Facade with 3 supports

H1-visina okomice 1 H1-mullion height 1
H2-visina okomice 2 H2-mullion height 2

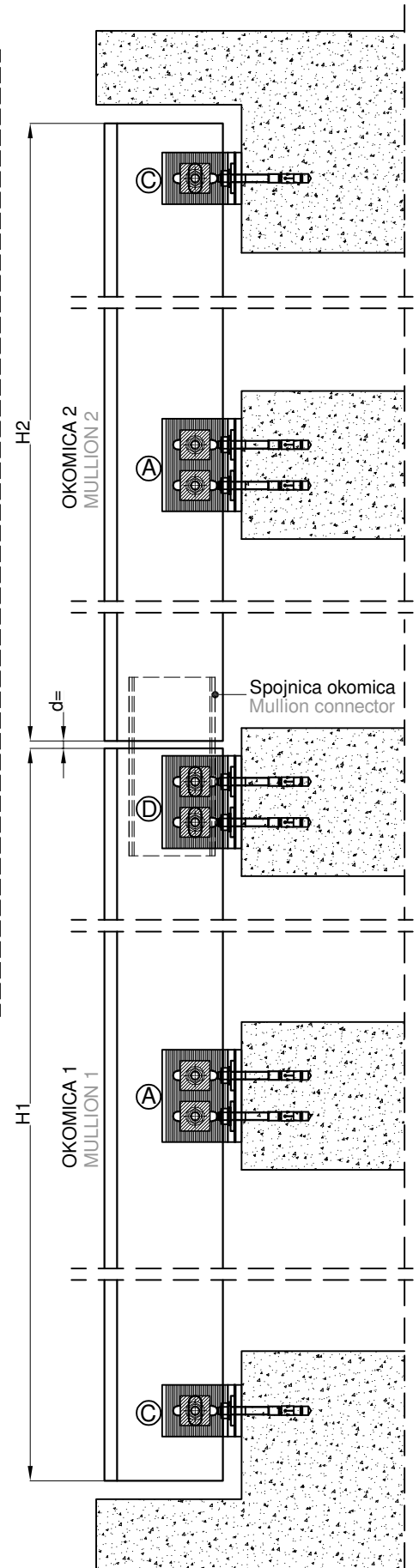
Ⓓ Pokretni i pokretni oslonac Moveable and moveable support

U slučaju spoja pokretnog i pokretnog oslonca, spojnica okomica spojena je žlijebovima za donju okomicu i služi pokretni oslonac gornje okomice
For a combination of moveable and moveable support, a connector is connected with grooves to the lower mullion and serves as a movable support for the upper mullion



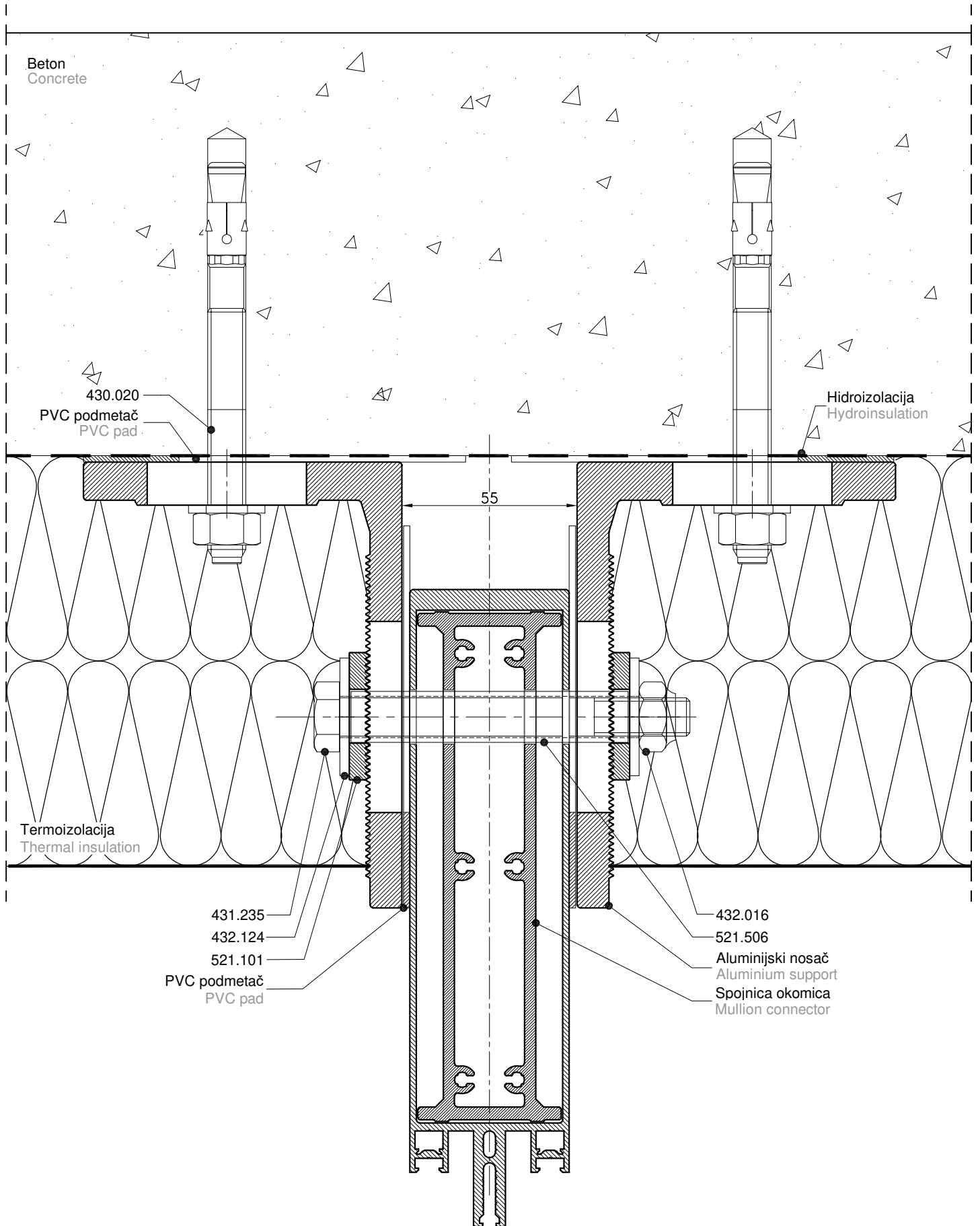
- | | |
|---------------------------------|----------------------------------|
| 374.076 - PVC podmetač | 521.165 - Aluminijaska podloška |
| 374.076 - PVC pad | 521.165 - Aluminium washer |
| 501.019 - Aluminijaski nosač | 521.516 - Inox distancer |
| 501.019 - Aluminium carrier | 521.516 - Stainless steel spacer |
| 521.058 - Aluminijaska podloška | 432.123 - Podloška (DIN 9021) |
| 521.058 - Aluminium washer | 432.123 - Washer (DIN 9021) |
| 431.218 - Vijak M10 (DIN 931) | 432.015 - Matica M10 (DIN 985) |
| 431.218 - Screw M10 (DIN 931) | 432.015 - Nut M10 (DIN 985) |
| 430.020 - Tipl vijak za beton | |
| 430.020 - Anchor for concrete | |

Okomica Mullion	Spojnica okomica Mullion connector	Dužina spojnice Connector lenght
FMO 50/200	SB-072	160 mm
FMO 50/160	SB-071	116.5 mm
FMO 50/140	SB-070	99.7 mm
FMO 50/120	SB-069	80 mm
FMO 50/90	SB-067/M	50 mm



Vijčanu vezu učvrstiti upotrebom moment ključa i moment silom od 4 Nm.
Tighten the screw connection using a torque wrench and a torque force of 4 Nm.

d-dilatacijski prostor između dvije okomice
d-dilatation space between two mullions

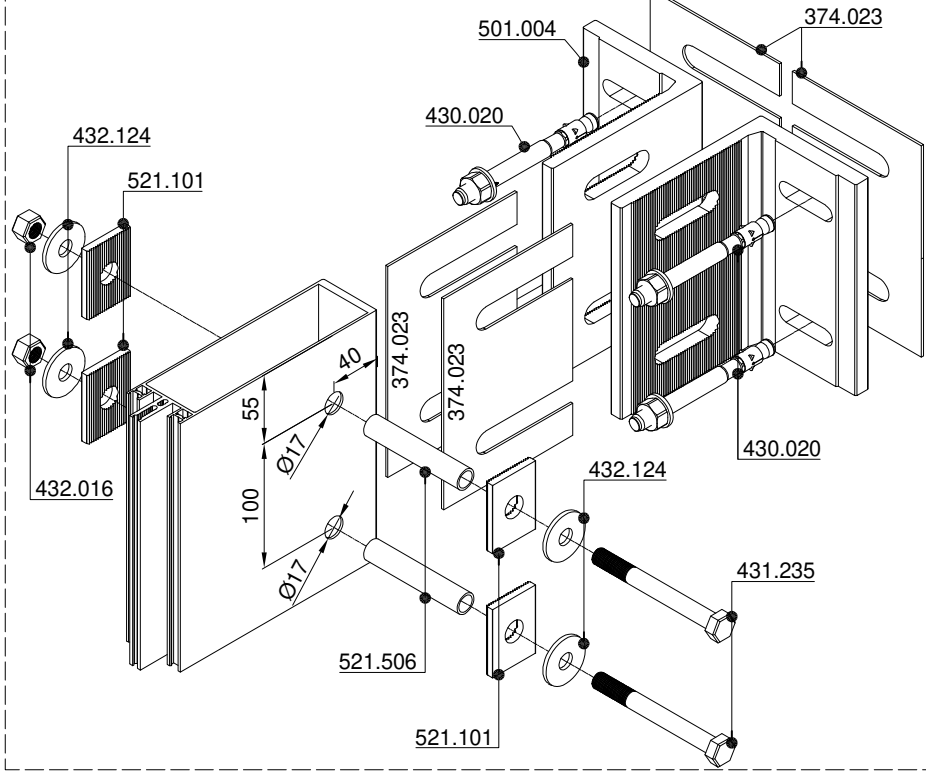


Fasada na 2 oslonca Facade with 2 supports

H1-visina okomice 1 H1-mullion height 1 H3-visina okomice 3 H3-mullion height 3
H2-visina okomice 2 H2-mullion height 2 H4-visina okomice 4 H4-mullion height 4

(A) Fiksni oslonac Fixed support

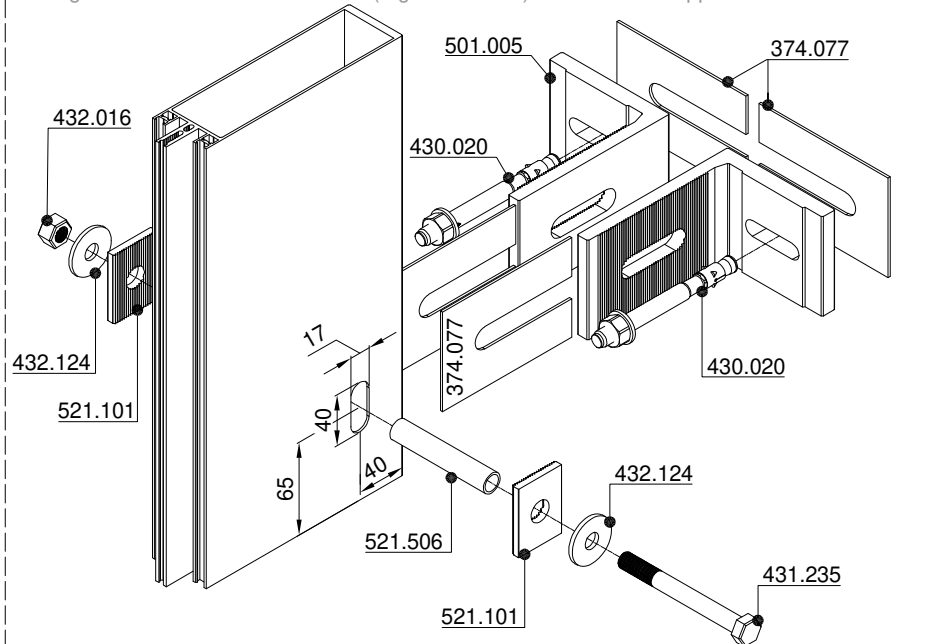
Na okomici se buše rupe (npr. $\varnothing 17$ za inox distancer $\varnothing 16/13$) za fiksni oslonac
Holes are drilled on mullion (e.g. $\varnothing 17$ for steel spacer $\varnothing 16/13$) for fixed support



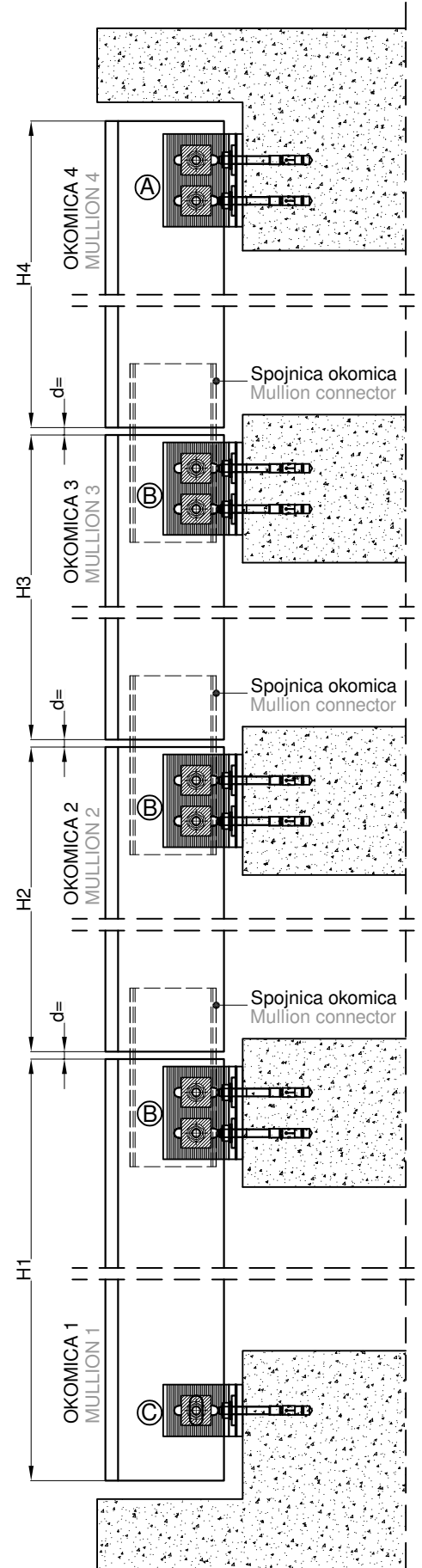
- | | |
|---------------------------------------|----------------------------------|
| 374.023 - PVC podmetač (374.077) | 521.506 - Inox distancer |
| 374.023 - PVC pad (374.077) | 521.506 - Stainless steel spacer |
| 501.004 - Aluminijski nosač (501.005) | 432.124 - Podloška (DIN 9021) |
| 501.004 - Aluminum carrier (501.005) | 432.124 - Washer (DIN 9021) |
| 521.101 - Aluminijska podloška | 431.235 - Vijak M12 (DIN 931) |
| 521.101 - Aluminum washer | 431.235 - Screw M12 (DIN 931) |
| 430.020 - Tipi vijak za beton | 432.016 - Matica M12 (DIN 985) |
| 430.020 - Anchor for concrete | 432.016 - Nut M12 (DIN 985) |

(C) Pokretni oslonac

Na okomici se buši žlijeb (npr. 40x17 mm) za pokretni oslonac
A groove is drilled on the mullion (e.g. 40x17 mm) for moveable support



Vijčanu vezu učvrstiti upotrebom moment ključa i moment silom od 4 Nm.
Tighten the screw connection using a torque wrench and a torque force of 4 Nm.



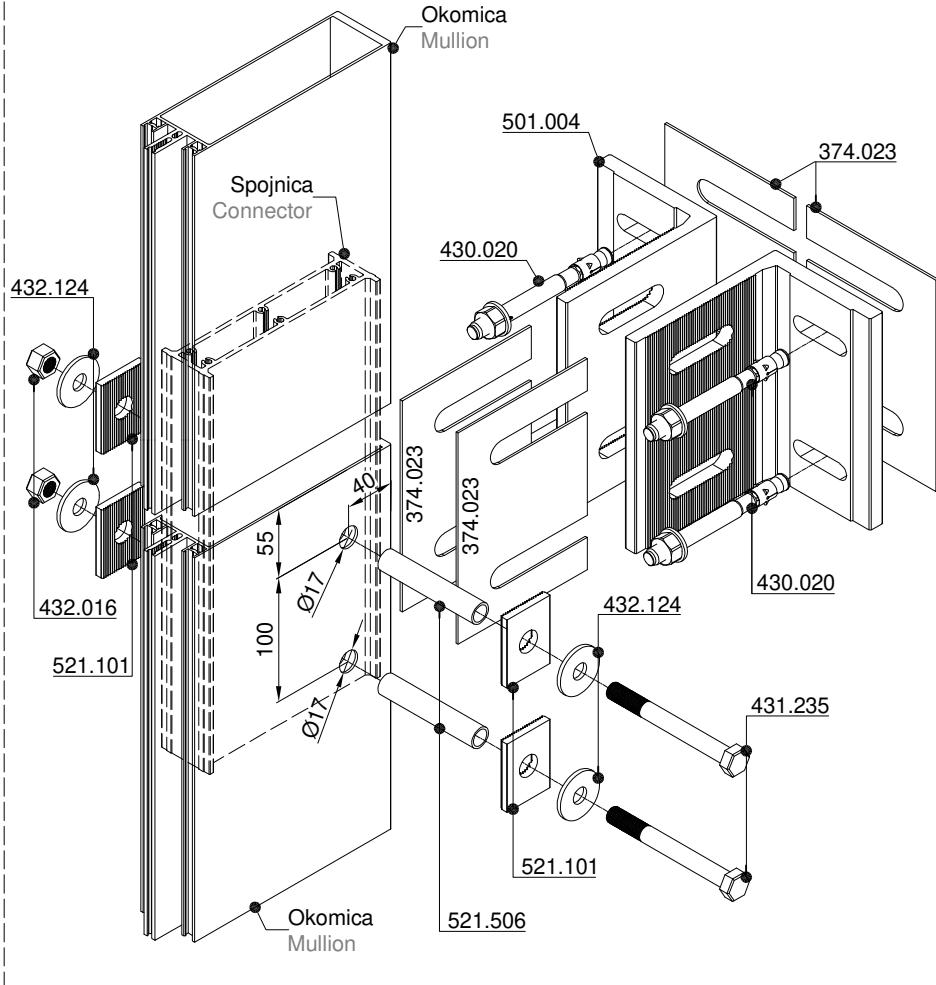
d-dilatacijski prostor između dvije okomice
d-dilatation space between two mullions

Fasada na 2 oslonca Facade with 2 supports

H1-visina okomice 1 H1-mullion height 1 H3-visina okomice 3 H3-mullion height 3
H2-visina okomice 2 H2-mullion height 2 H4-visina okomice 4 H4-mullion height 4

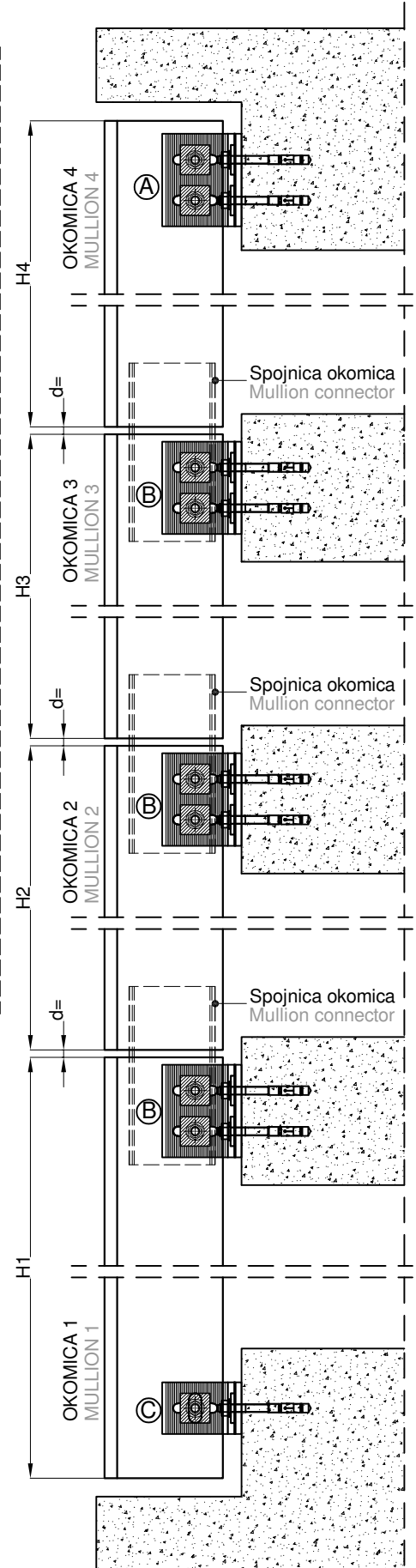
Ⓑ Fiksni i pokretni oslonac Fixed and moveable support

Za kombinaciju fiksnog i pokretnog oslonca, između okomica ubacuje se spojnica okomica koja služi kao pokretni oslonac gornje okomice
For a combination of fixed and movable support, a connector is inserted between the mullions, which serves as a movable support for the upper mullion



- | | |
|--------------------------------|----------------------------------|
| 374.023 - PVC podmetač | 521.506 - Inox distancer |
| 374.023 - PVC pad | 521.506 - Stainless steel spacer |
| 501.004 - Aluminijski nosač | 432.124 - Podloška (DIN 9021) |
| 501.004 - Aluminum carrier | 432.124 - Washer (DIN 9021) |
| 521.101 - Aluminijska podloška | 431.235 - Vijak M12 (DIN 931) |
| 521.101 - Aluminum washer | 431.235 - Screw M12 (DIN 931) |
| 430.020 - Tipi vijak za beton | 432.016 - Matica M12 (DIN 985) |
| 430.020 - Anchor for concrete | 432.016 - Nut M12 (DIN 985) |

Okomica Mullion	Spojnica okomica Mullion connector	Dužina spojnice Connector lenght
FMO 50/200	SB-072	160 mm
FMO 50/160	SB-071	116.5 mm
FMO 50/140	SB-070	99.7 mm
FMO 50/120	SB-069	80 mm
FMO 50/90	SB-067/M	50 mm



Vijčanu vezu učvrstiti upotrebom moment ključa i moment silom od 4 Nm.
Tighten the screw connection using a torque wrench and a torque force of 4 Nm.

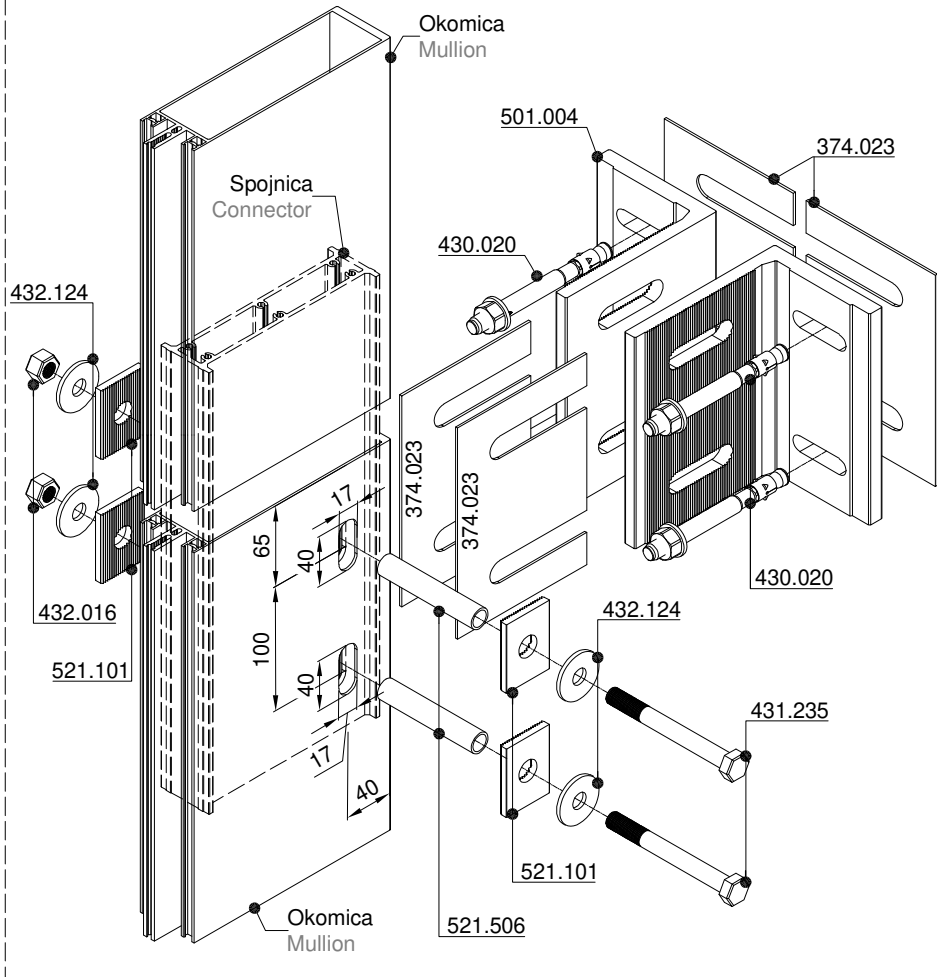
d-dilatacijski prostor između dvije okomice
d-dilatation space between two mullions

Fasada na 3 oslonca Facade with 3 supports

H1-visina okomice 1 H1-mullion height 1
H2-visina okomice 2 H2-mullion height 2

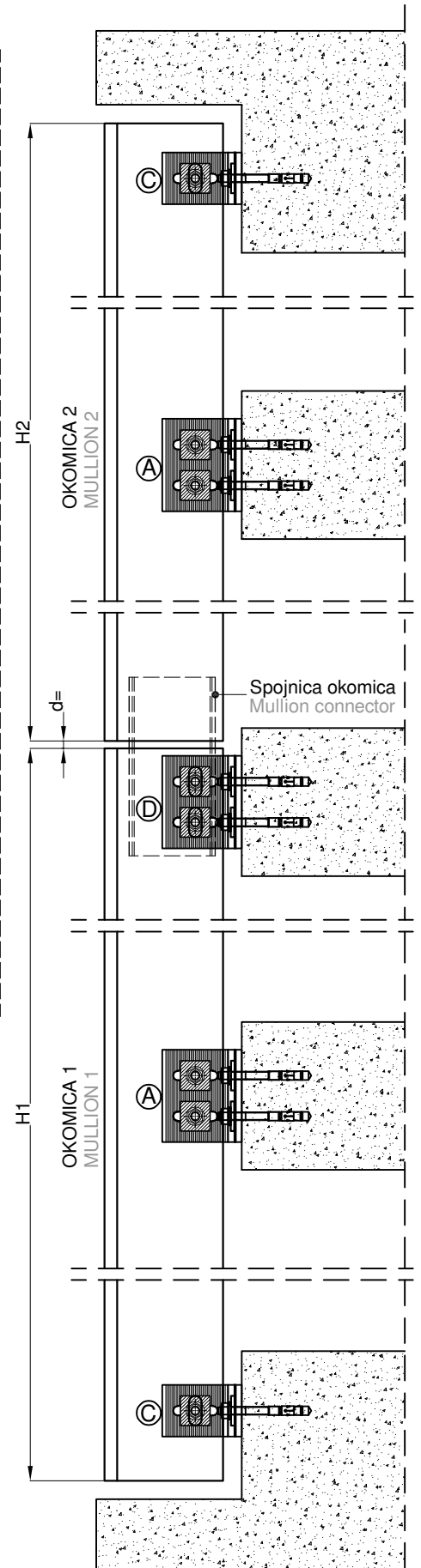
ⓓ Pokretni i pokretni oslonac Moveable and moveable support

U slučaju spoja pokretnog i pokretnog oslonca, spojnica okomica spojena je žlijebovima za donju okomicu i služi pokretni oslonac gornje okomice
For a combination of moveable and moveable support, a connector is connected with grooves to the lower mullion and serves as a movable support for the upper mullion



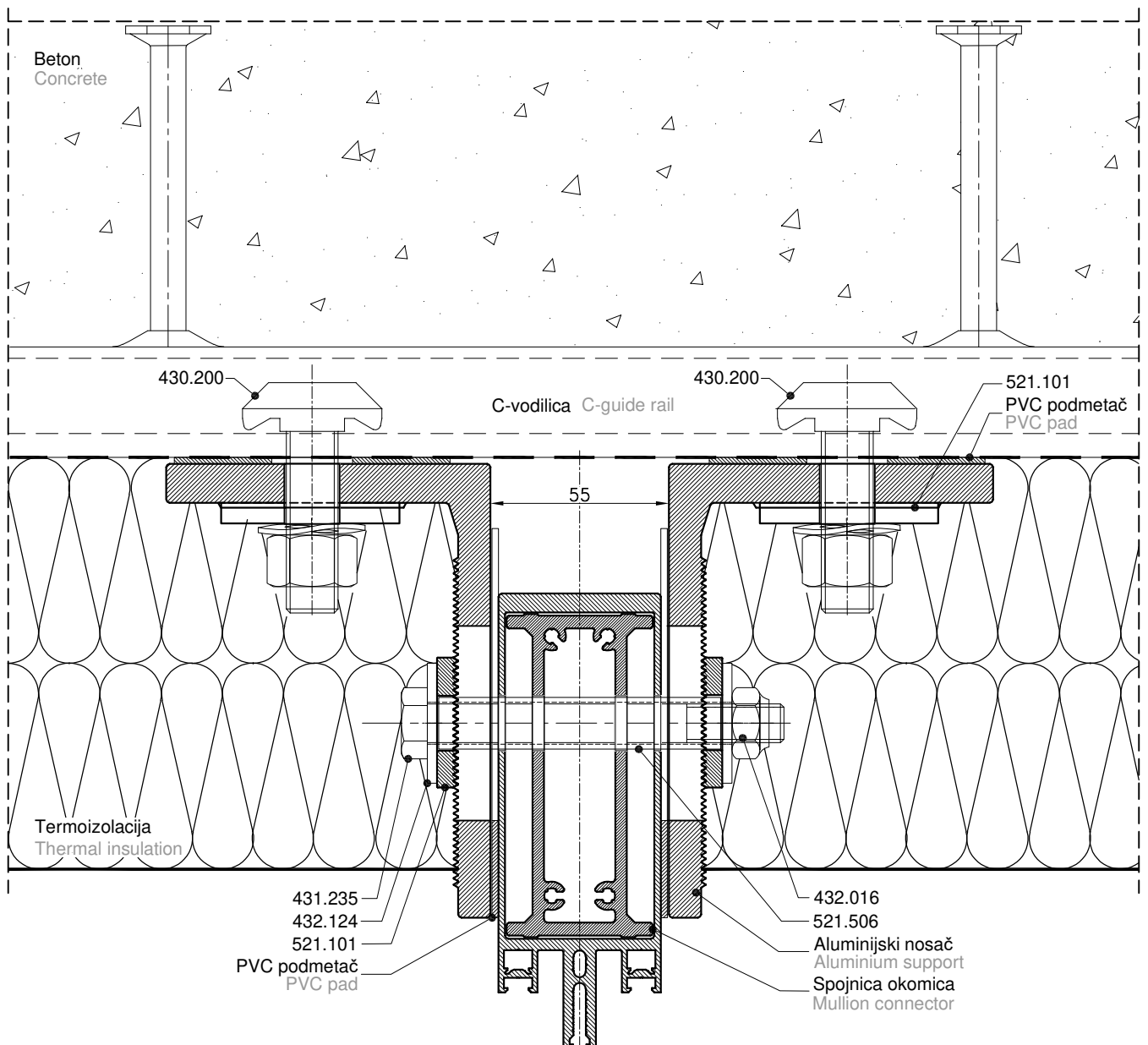
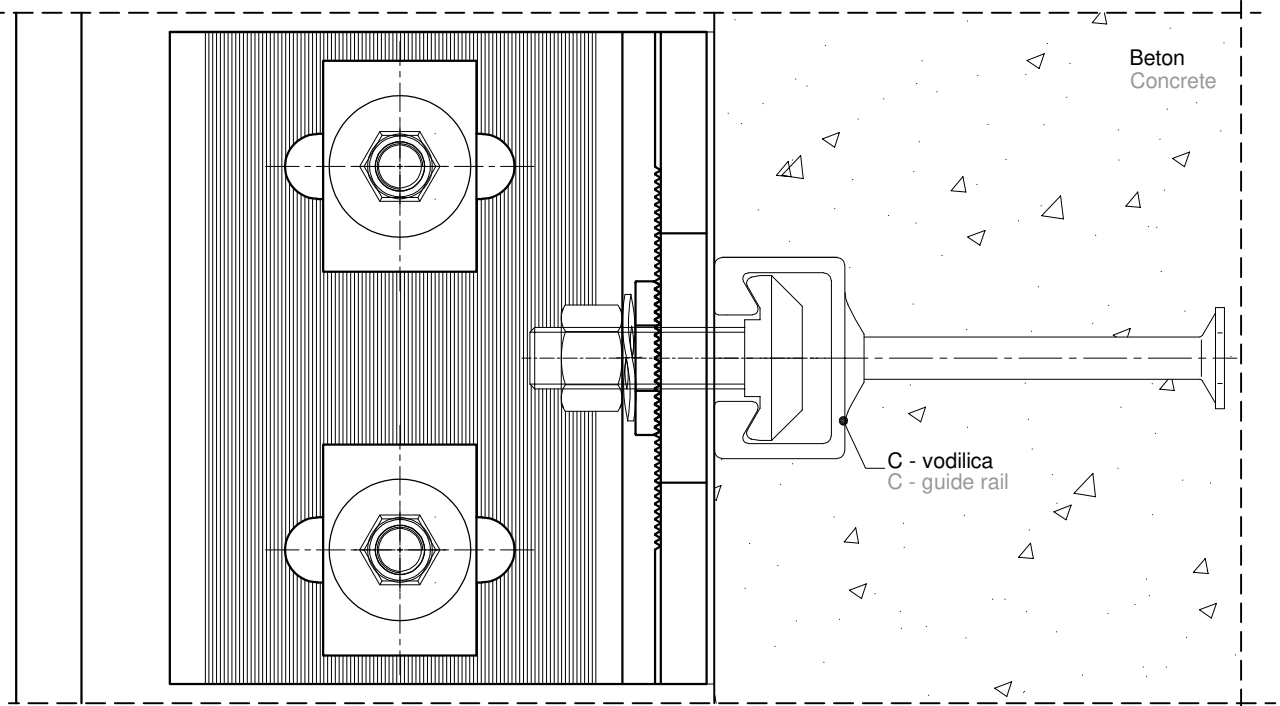
- | | |
|--------------------------------|----------------------------------|
| 374.023 - PVC podmetač | 521.506 - Inox distancer |
| 374.023 - PVC pad | 521.506 - Stainless steel spacer |
| 501.004 - Aluminijski nosač | 432.124 - Podloška (DIN 9021) |
| 501.004 - Aluminum carrier | 432.124 - Washer (DIN 9021) |
| 521.101 - Aluminijska podloška | 431.235 - Vijak M12 (DIN 931) |
| 521.101 - Aluminum washer | 431.235 - Screw M12 (DIN 931) |
| 430.020 - Tipl vijak za beton | 432.016 - Matica M12 (DIN 985) |
| 430.020 - Anchor for concrete | 432.016 - Nut M12 (DIN 985) |

Okomica Mullion	Spojnica okomica Mullion connector	Dužina spojnica Connector lenght
FMO 50/200	SB-072	160 mm
FMO 50/160	SB-071	116.5 mm
FMO 50/140	SB-070	99.7 mm
FMO 50/120	SB-069	80 mm
FMO 50/90	SB-067/M	50 mm



Vijčanu vezu učvrstiti upotrebom moment ključa i moment silom od 4 Nm.
Tighten the screw connection using a torque wrench and a torque force of 4 Nm.

d-dilatacijski prostor između dvije okomice
d-dilatation space between two mullions

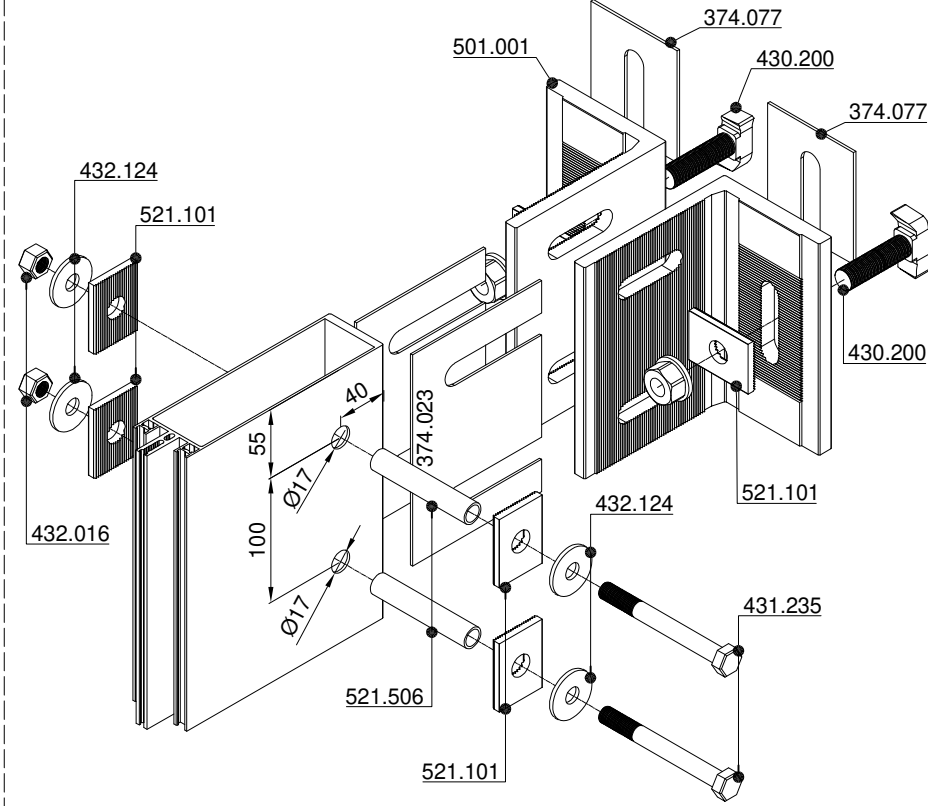


Fasada na 2 oslonca Facade with 2 supports

H1-visina okomice 1 H1-mullion height 1 H3-visina okomice 3 H3-mullion height 3
H2-visina okomice 2 H2-mullion height 2 H4-visina okomice 4 H4-mullion height 4

Ⓐ Fiksni oslonac Fixed support

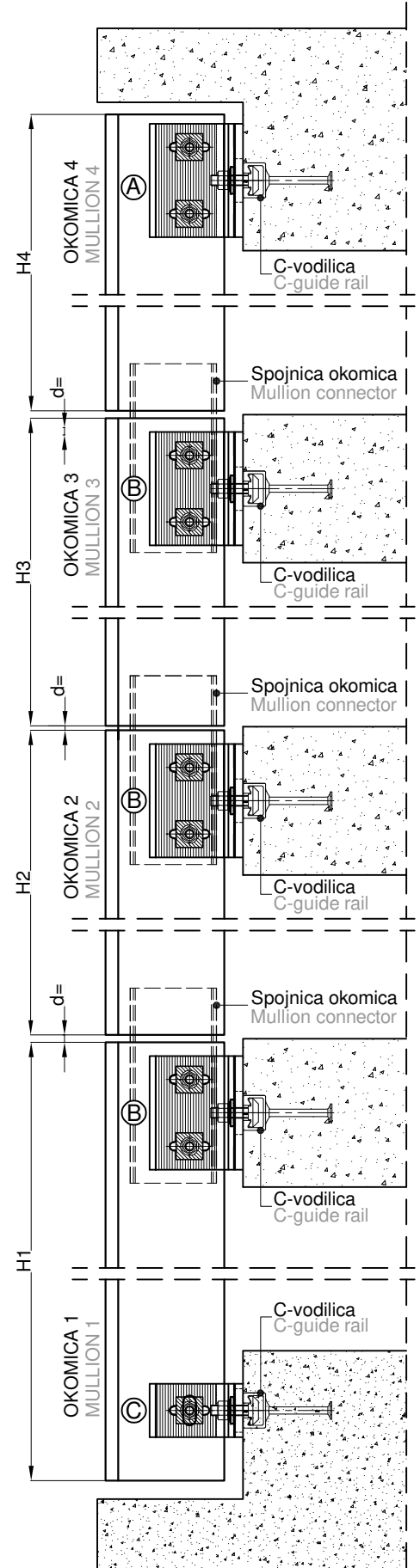
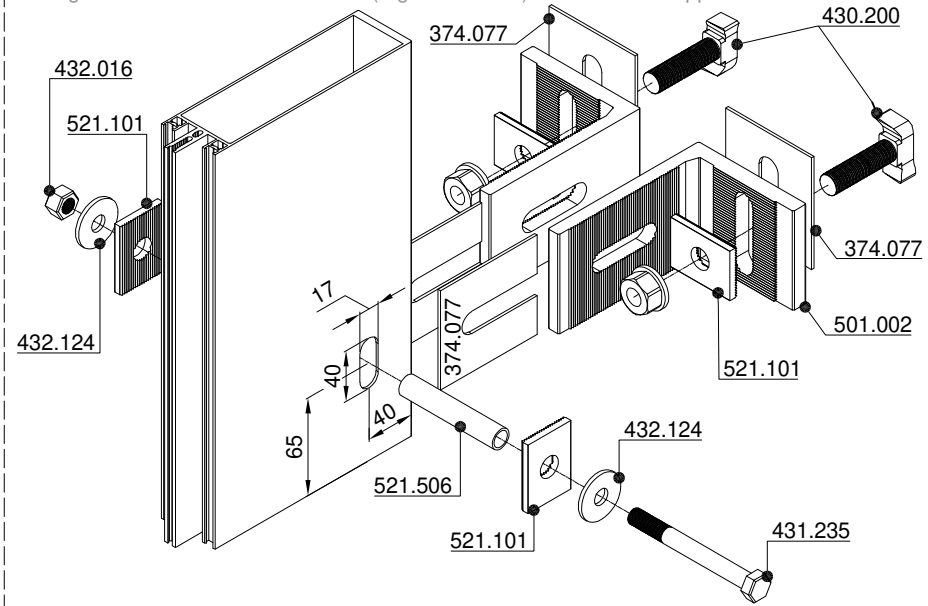
Na okomici se buše rupe (npr. Ø17 za inox distancer Ø16/13) za fiksni oslonac
Holes are drilled on mullion (e.g. Ø17 for steel spacer Ø16/13) for fixed support



- | | |
|---------------------------------------|----------------------------------|
| 374.023 - PVC podmetač (374.077) | 521.506 - Inox distancer |
| 374.023 - PVC pad (374.077) | 521.506 - Stainless steel spacer |
| 501.001 - Aluminijski nosač (501.002) | 432.124 - Podloška (DIN 9021) |
| 501.001 - Aluminum carrier (501.002) | 432.124 - Washer (DIN 9021) |
| 521.101 - Aluminijska podloška | 431.235 - Vijak M12 (DIN 931) |
| 521.101 - Aluminum washer | 431.235 - Screw M12 (DIN 931) |
| 430.200 - T vijak za C vodilicu | 432.016 - Matica M12 (DIN 985) |
| 430.200 - T bolt for C guiderail | 432.016 - Nut M12 (DIN 985) |

Ⓒ Pokretni oslonac

Na okomici se buši žlijeb (npr. 40x17 mm) za pokretni oslonac
A groove is drilled on the mullion (e.g. 40x17 mm) for moveable support



Vijčanu vezu učvrstiti upotrebom moment ključa i moment silom od 4 Nm.
Tighten the screw connection using a torque wrench and a torque force of 4 Nm.

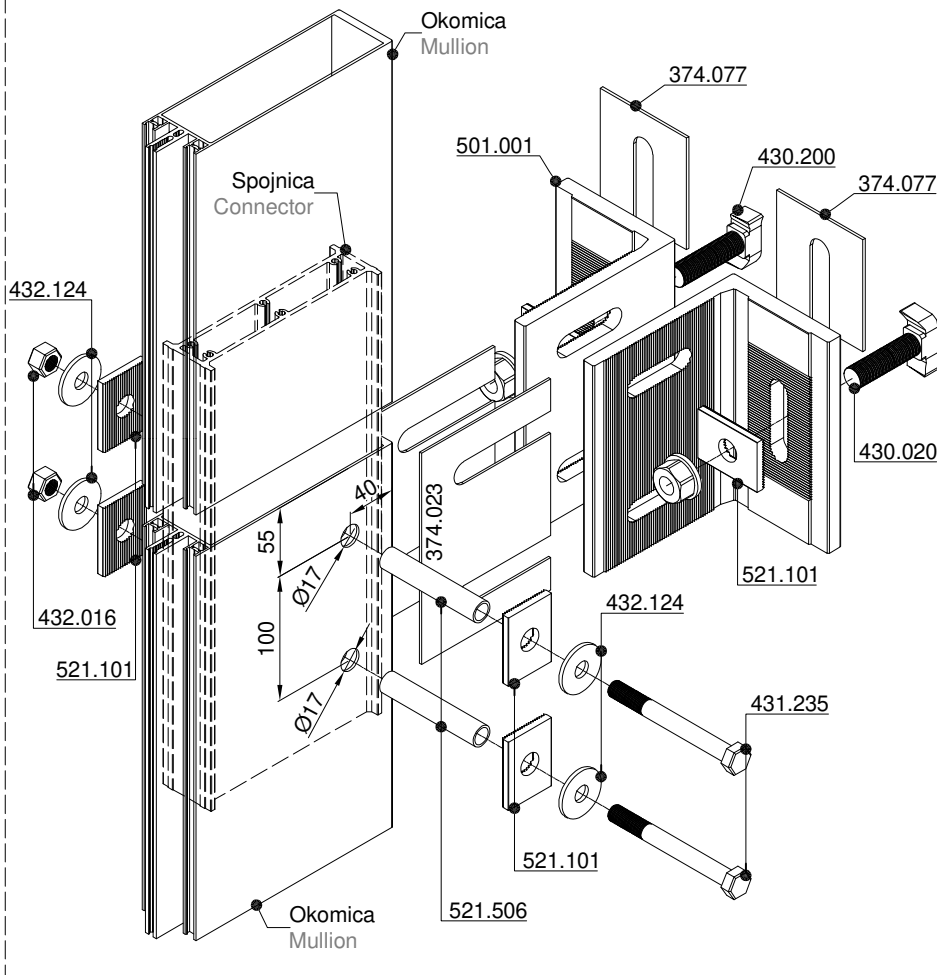
d-dilatacijski prostor između dvije okomice
d-dilatation space between two mullions

Fasada na 2 oslonca Facade with 2 supports

H1-visina okomice 1 H1-mullion height 1 H3-visina okomice 3 H3-mullion height 3
H2-visina okomice 2 H2-mullion height 2 H4-visina okomice 4 H4-mullion height 4

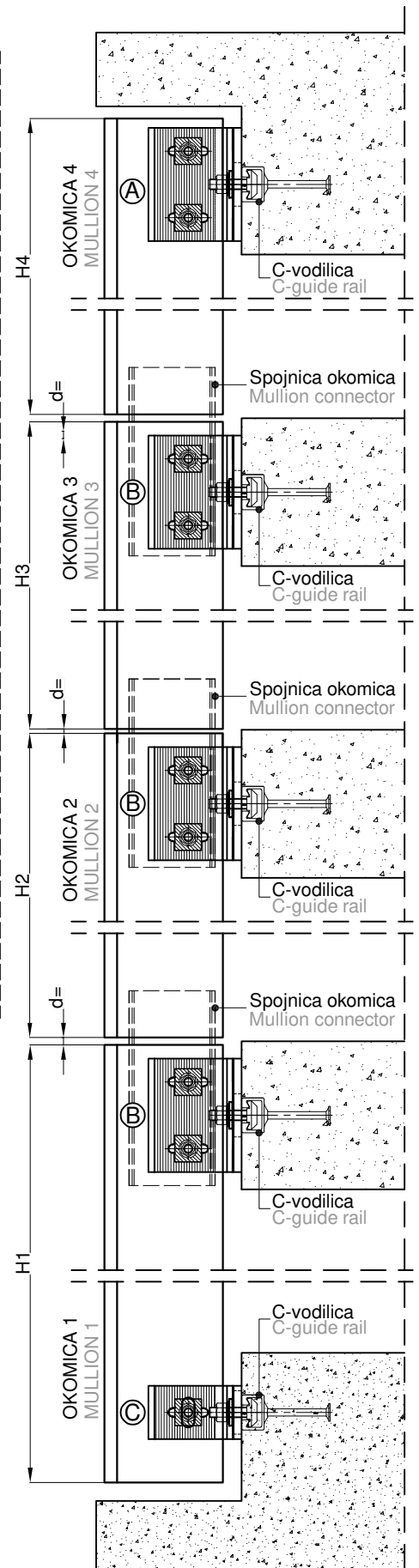
Ⓑ Fiksni i pokretni oslonac Fixed and moveable support

Za kombinaciju fiksnog i pokretnog oslonca, između okomica ubacuje se spojnica okomica koja služi kao pokretni oslonac gornje okomice
For a combination of fixed and movable support, a connector is inserted between the mullions, which serves as a movable support for the upper mullion



- | | |
|----------------------------------|----------------------------------|
| 374.023 - PVC podmetač (374.077) | 521.506 - Inox distancer |
| 374.023 - PVC pad (374.077) | 521.506 - Stainless steel spacer |
| 501.001 - Aluminijski nosač | 432.124 - Podloška (DIN 9021) |
| 501.001 - Aluminum carrier | 432.124 - Washer (DIN 9021) |
| 521.101 - Aluminijska podloška | 431.235 - Vijak M12 (DIN 931) |
| 521.101 - Aluminum washer | 431.235 - Screw M12 (DIN 931) |
| 430.200 - T vijak za C vodilicu | 432.016 - Matica M12 (DIN 985) |
| 430.200 - T bolt for C guiderail | 432.016 - Nut M12 (DIN 985) |

Okomica Mullion	Spojnica okomica Mullion connector	Dužina spojnice Connector lenght
FMO 50/200	SB-072	160 mm
FMO 50/160	SB-071	116.5 mm
FMO 50/140	SB-070	99.7 mm
FMO 50/120	SB-069	80 mm
FMO 50/90	SB-067/M	50 mm



Vijčanu vezu učvrstiti upotrebom moment ključa i moment silom od 4 Nm.
Tighten the screw connection using a torque wrench and a torque force of 4 Nm.

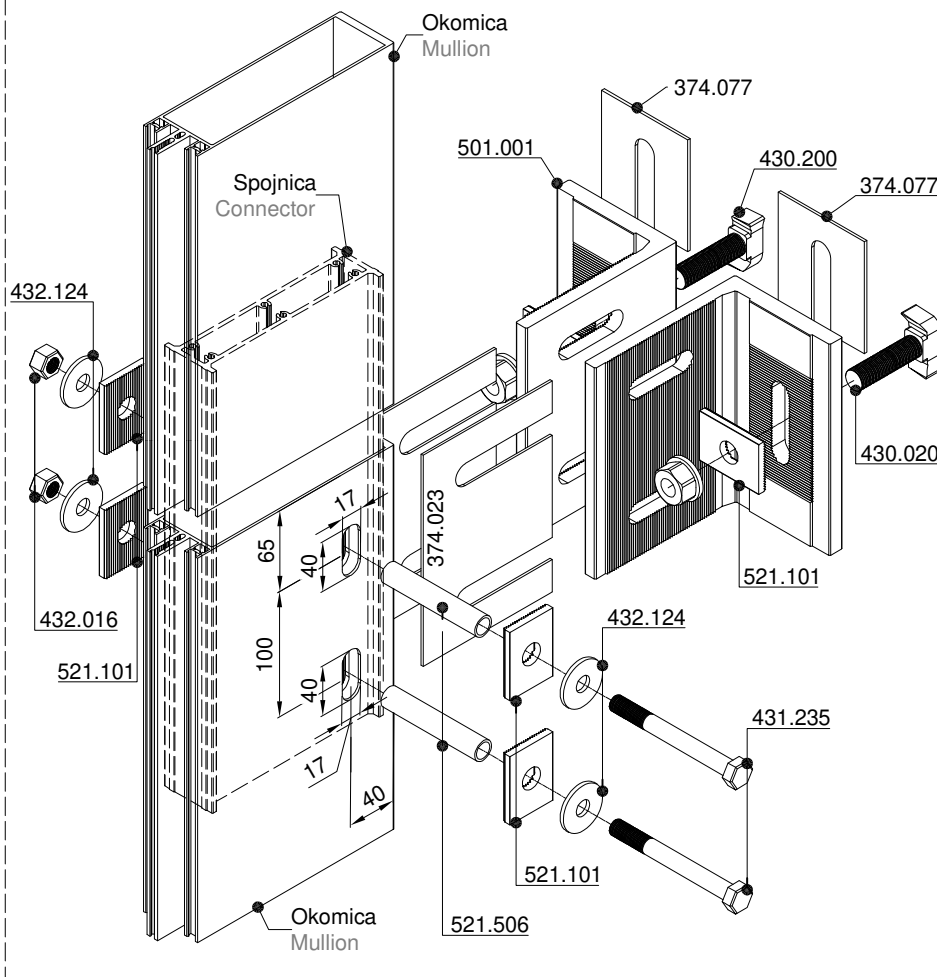
d-dilatacijski prostor između dvije okomice
d-dilatation space between two mullions

Fasada na 3 oslonca Facade with 3 supports

H1-visina okomice 1 H1-mullion height 1
H2-visina okomice 2 H2-mullion height 2

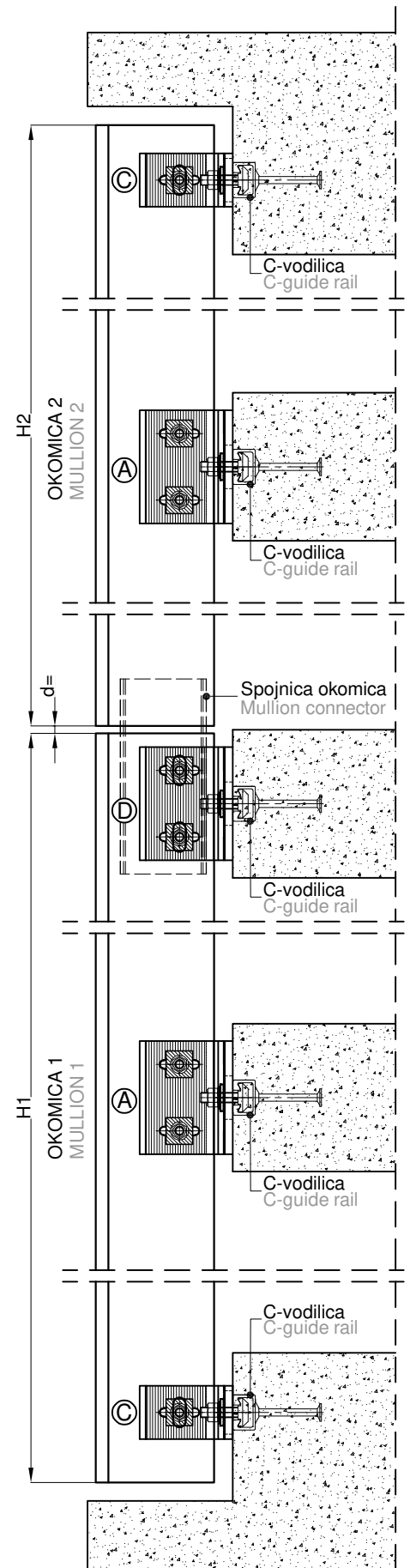
Ⓓ Pokretni i pokretni oslonac Moveable and moveable support

U slučaju spoja pokretnog i pokretnog oslonca, spojnica okomica spojena je žlijebovima za donju okomicu i služi pokretni oslonac gornje okomice
For a combination of moveable and moveable support, a connector is connected with grooves to the lower mullion and serves as a movable support for the upper mullion



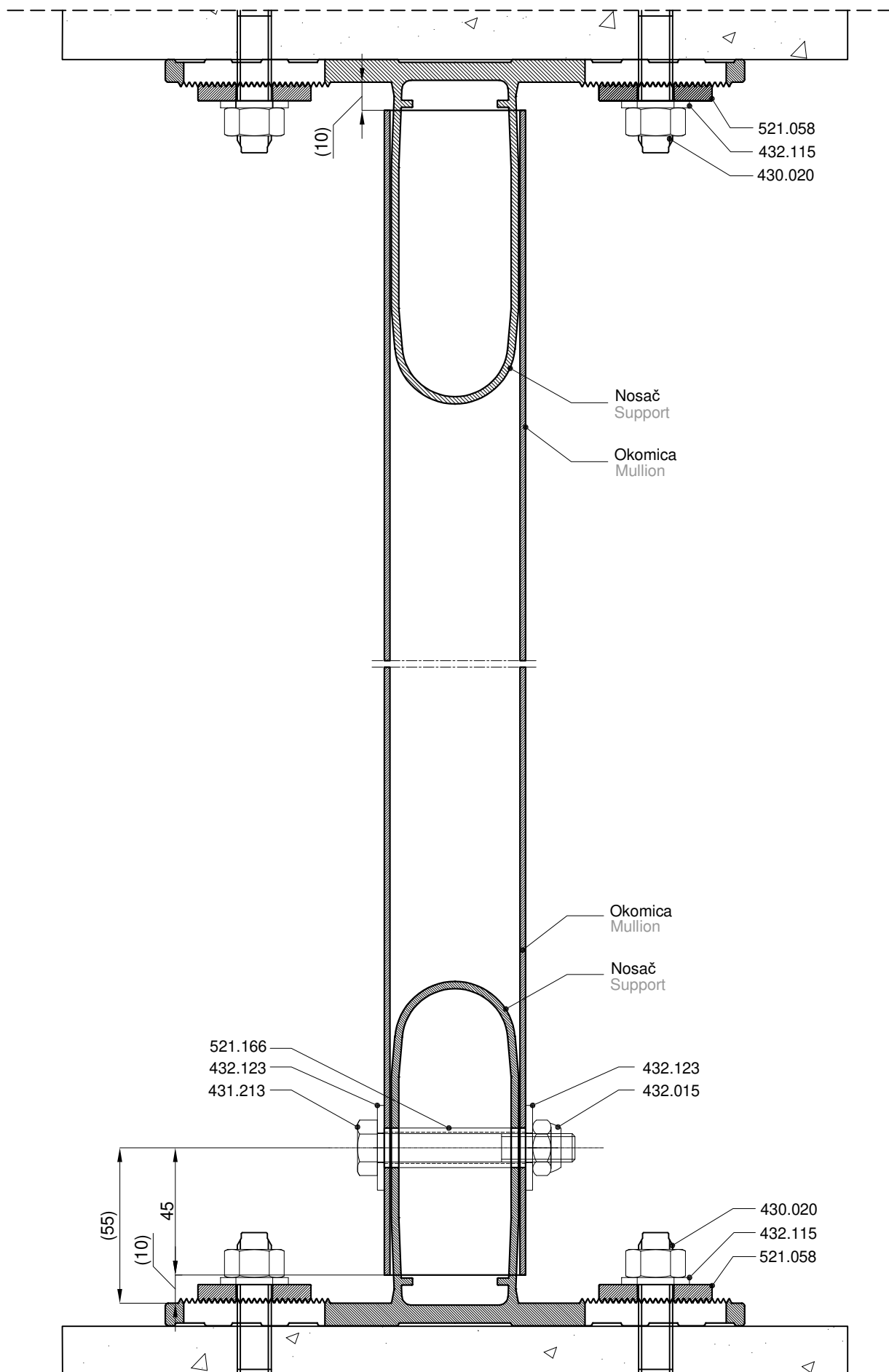
- | | |
|----------------------------------|----------------------------------|
| 374.023 - PVC podmetač (374.077) | 521.506 - Inox distancer |
| 374.023 - PVC pad (374.077) | 521.506 - Stainless steel spacer |
| 501.001 - Aluminijski nosač | 432.124 - Podloška (DIN 9021) |
| 501.001 - Aluminum carrier | 432.124 - Washer (DIN 9021) |
| 521.101 - Aluminijska podloška | 431.235 - Vijak M12 (DIN 931) |
| 521.101 - Aluminum washer | 431.235 - Screw M12 (DIN 931) |
| 430.200 - T vijak za C vodilicu | 432.016 - Matica M12 (DIN 985) |
| 430.200 - T bolt for C guiderail | 432.016 - Nut M12 (DIN 985) |

Okomica Mullion	Spojnica okomica Mullion connector	Dužina spojnica Connector lenght
FMO 50/200	SB-072	160 mm
FMO 50/160	SB-071	116.5 mm
FMO 50/140	SB-070	99.7 mm
FMO 50/120	SB-069	80 mm
FMO 50/90	SB-067/M	50 mm



Vijčanu vezu učvrstiti upotrebom moment ključa i moment silom od 4 Nm.
Tighten the screw connection using a torque wrench and a torque force of 4 Nm.

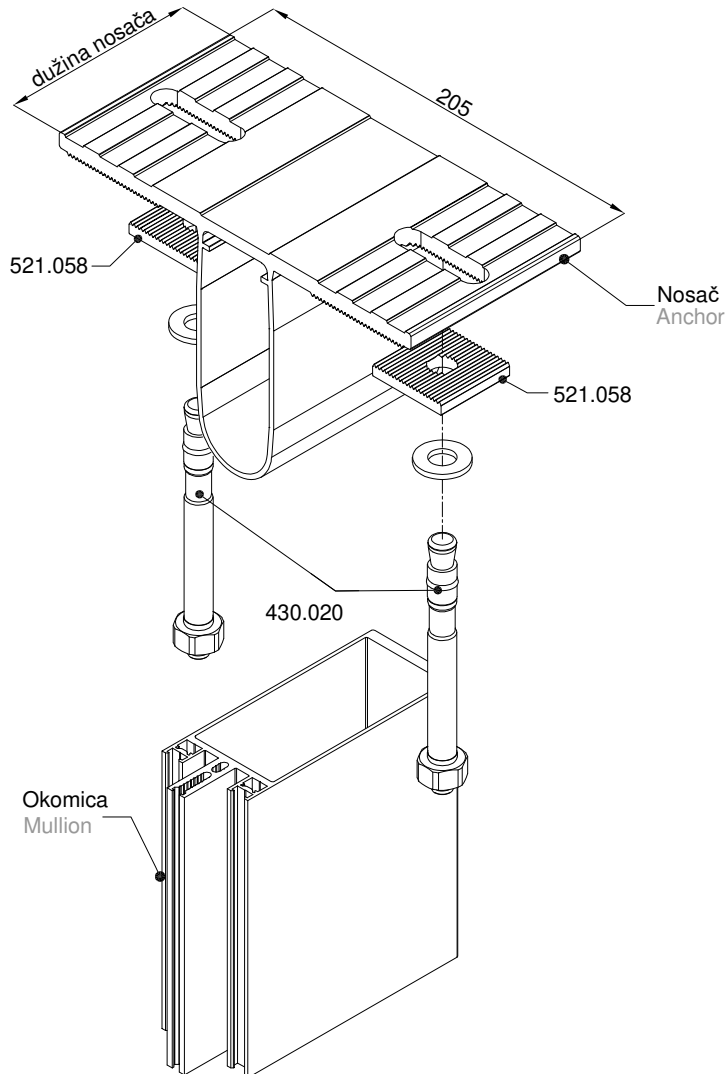
d-dilatacijski prostor između dvije okomice
d-dilatation space between two mullions



Fasada na 2 oslonca
Facade with 2 supports

Ⓔ Pokretni oslonac Moveable support

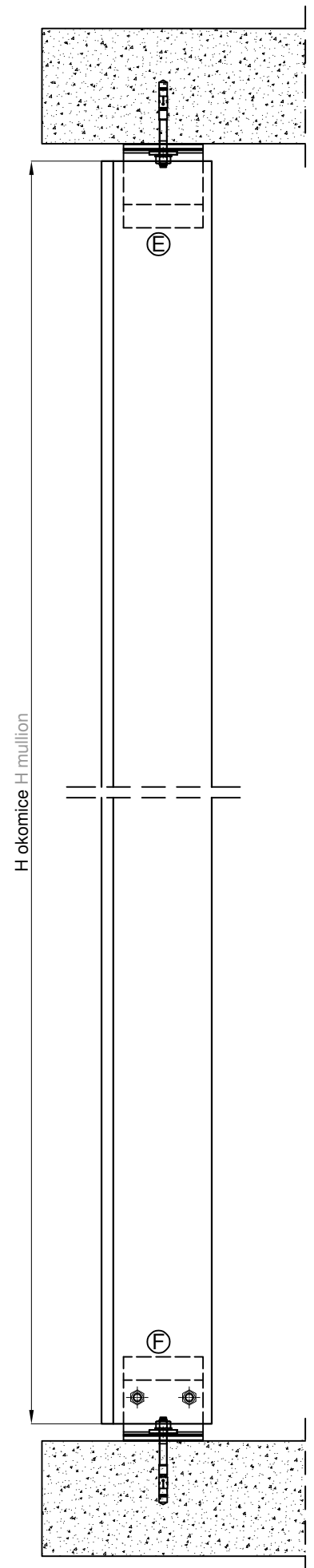
Dužina nosača definirana je za svaki pojedini model s obzirom na dužinu okomice
The length of the support is defined by each particular model regarding to the mullion length



430.020 - Tipi vijak za beton
430.020 - Anchor for concrete

521.058 - Alumijska podloška
521.058 - Aluminum washer

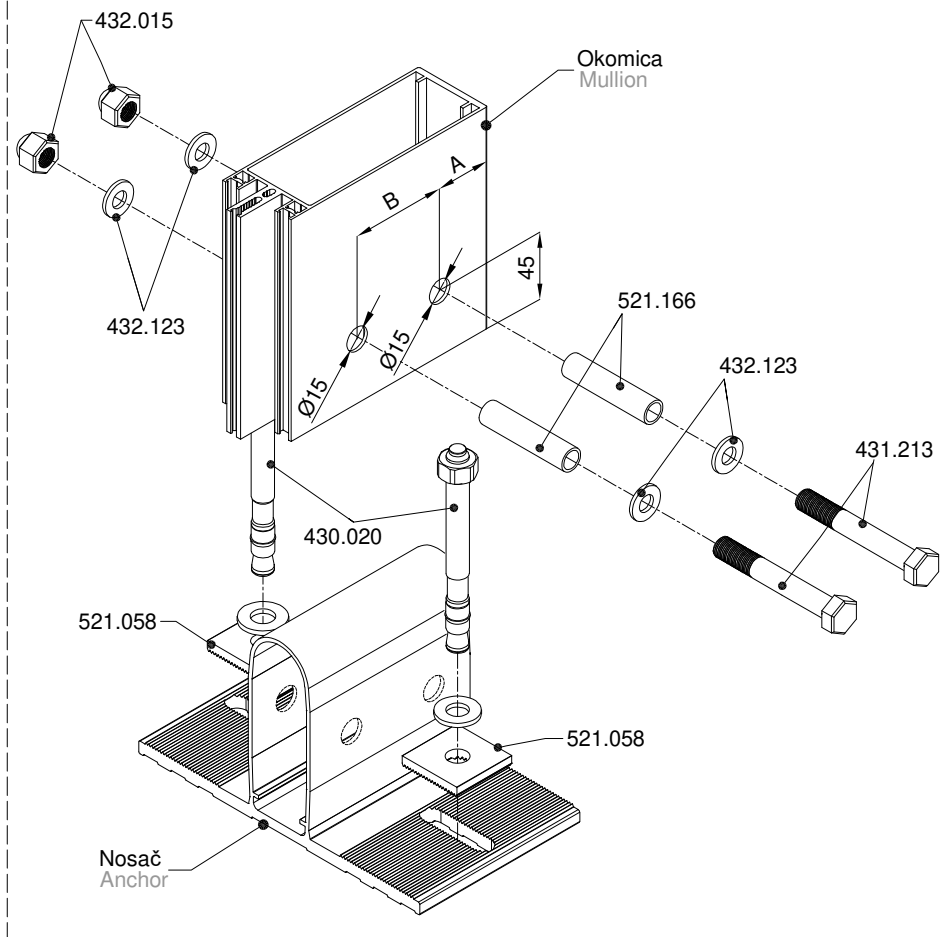
Okomica Mullion	Nosač Anchor	Dužina nosača Anchor length
FMO 50/270	501.044	205 mm
FMO 50/200	501.020	159 mm
FMO 50/160	501.021	115.5 mm
FMO 50/140	501.022	98.7 mm
FMO 50/120	501.023	79.5 mm
FMO 50/90	501.024	50 mm



Fasada na 2 oslonca Facade with 2 supports

Ⓕ Fiksni oslonac Fixed support

Dužina nosača definirana je za svaki pojedini model s obzirom na dužinu okomice
The length of the support is defined by each particular model regarding to the mullion length



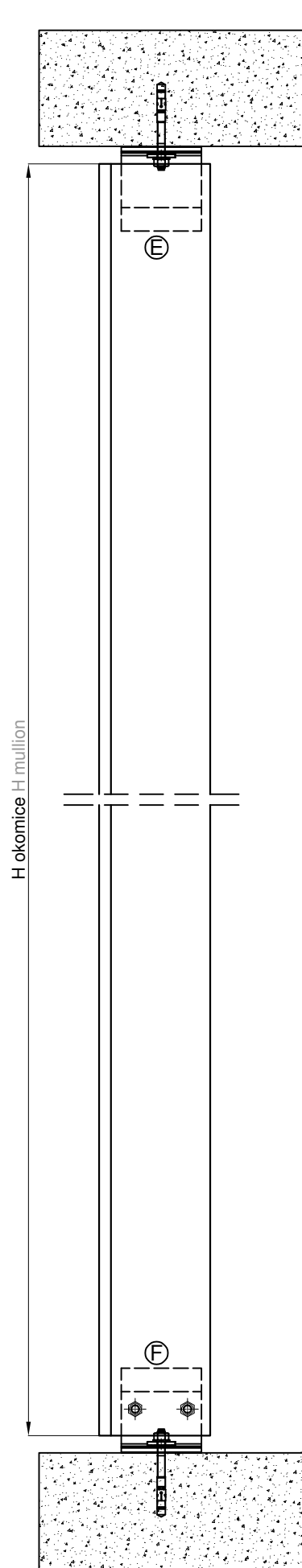
- 430.020 - Tipi vijak za beton
- 430.020 - Anchor for concrete
- 521.058 - Aluminijaska podloška
- 521.058 - Aluminum washer
- 521.166 - Inox distancer
- 521.166 - Stainless steel spacer

- 432.123 - Podloška (DIN 9021)
- 432.123 - Washer (DIN 9021)
- 431.213 - Vijak M10 (DIN 931)
- 431.213 - Screw M10 (DIN 931)
- 432.015 - Matica M10 (DIN 985)
- 432.015 - Nut M10 (DIN 985)

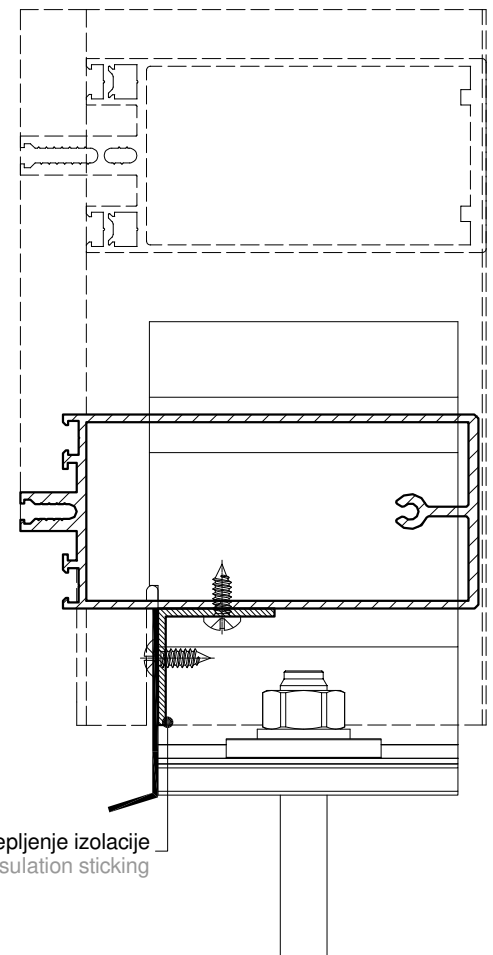
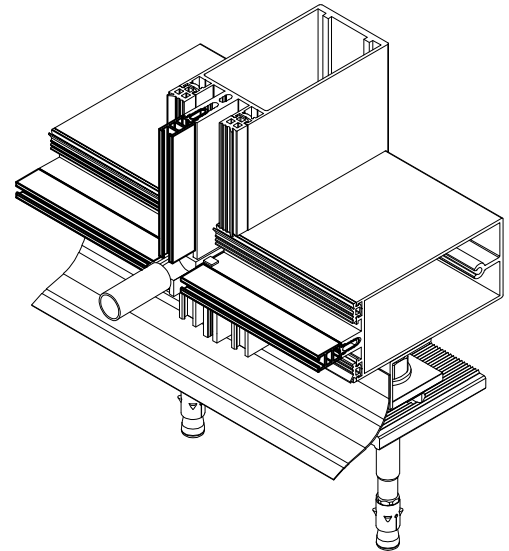
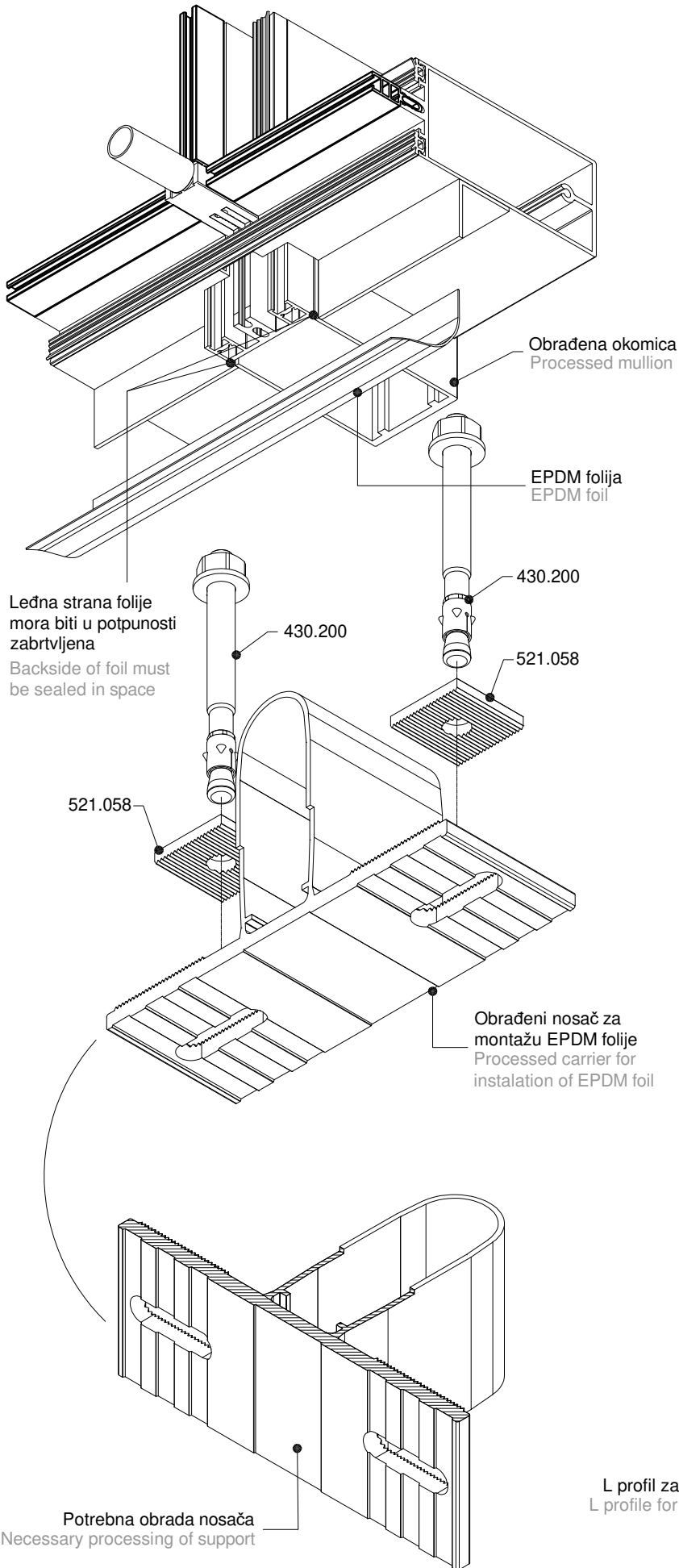
Okomica Mullion	Nosač Anchor	Dužina nosača Anchor length	Dimenzija A Dimension A	Dimenzija B Dimension B
FMO 50/270	501.044	205 mm	115 mm	66.5 mm
FMO 50/200	501.020	159 mm	47 mm	84 mm
FMO 50/160	501.021	115.5 mm	36 mm	65 mm
FMO 50/140	501.022	98.7 mm	56 mm	-
FMO 50/120	501.023	79.5 mm	47 mm	-
FMO 50/90	501.024	50 mm	32 mm	-

Rupe na okomici se buše u radionici, dok se rupe na nosaču buše na gradilištu.
Holes on the mullion are drilled in the workshop, while the holes on the support are drilled on the site.

Postoji mogućnost vješanja fasade tako da oslonac E bude fiksni, a F pokretan.
It is possible to make a hanging facade, so that E support is fixed and F is moveable.



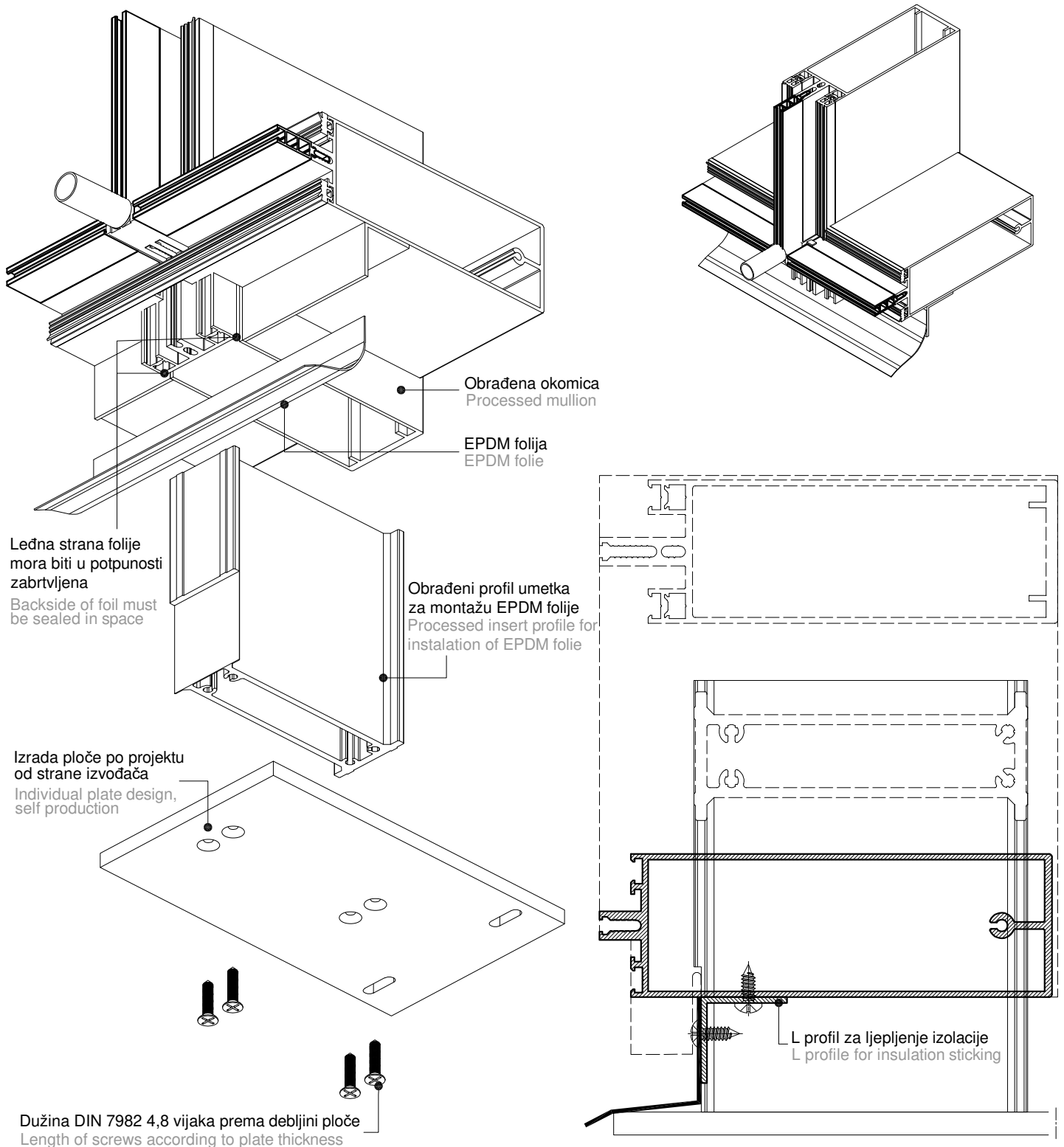
NAPOMENA: Standardizirani primjer
NOTICE: Standardised example
SLUČAJ: Pokretni donji oslonac
CASE: Moveable lower supprt



NAPOMENA: Prikazani detalj je samo standardizirani primjer. Opisani spoj mora biti prilagođen situaciji na objektu, mora odgovarati fizičkim zahtjevima objekta i odgovornost je izvođača.

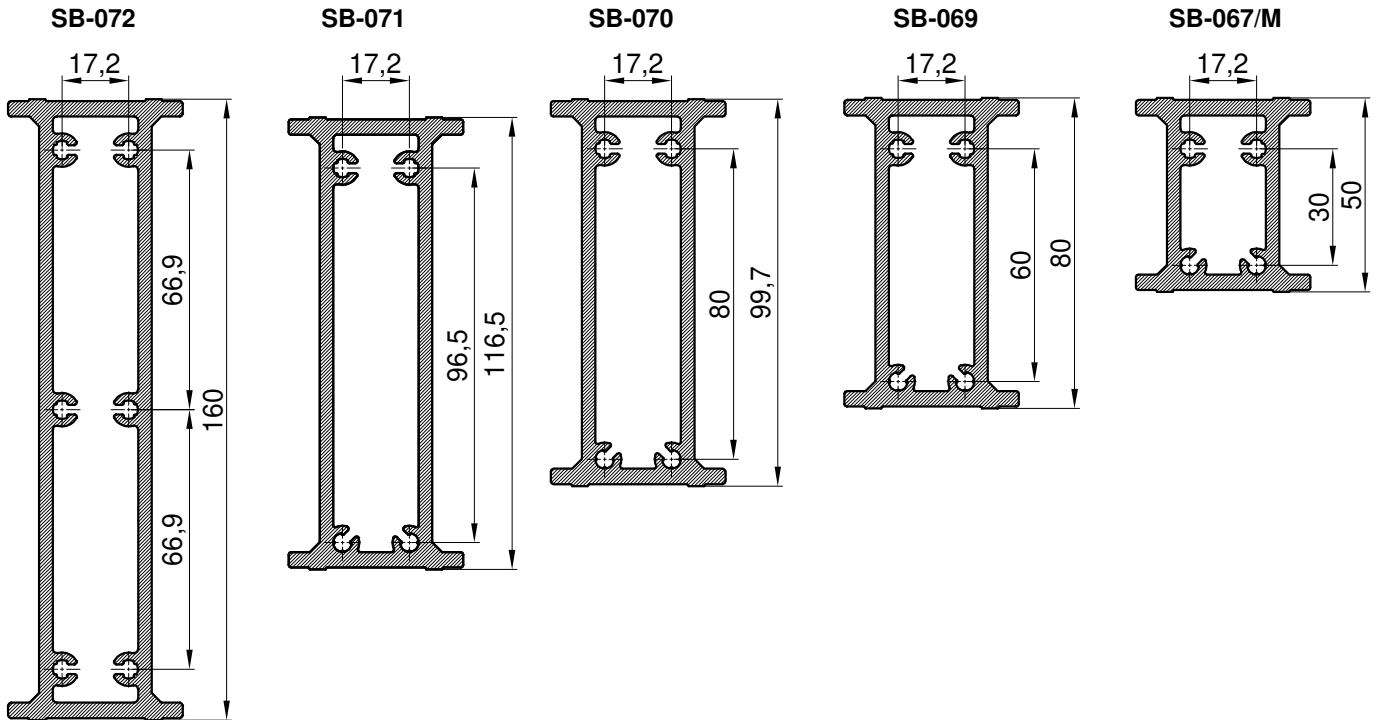
NOTICE : The demonstrated detail is only a standardised example. The described connection has to be adapted to the possibilities existing on site and has to be checked to the building physics requirements and is in responsibility of fabricator.

SLUČAJ: Pokretni donji oslonac CASE: Moveable lower support

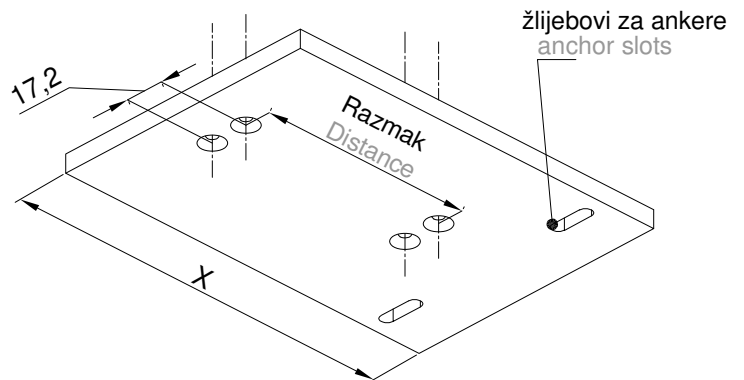
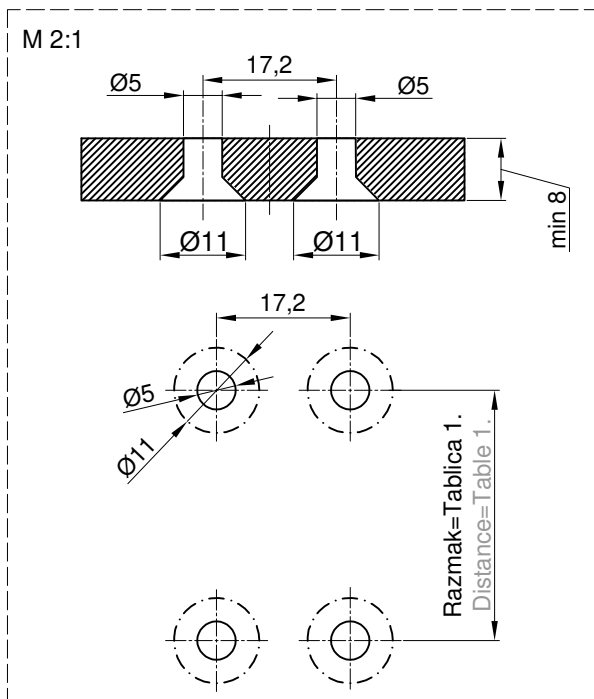


*Ploču je potrebno zavariti na profil umetka
*The plate needs to be welded to the insert profile

Obrada ploče prema profilima umetka
Plate processing according to the insert profiles

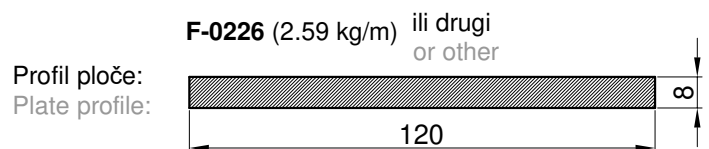


Okomica Mullion	Profil umetka (H[mm]) Insert profile (H[mm])	Razmak između vijaka [mm] Screw distance [mm]
FMO 50/270	SB-072 (160)	66,9 (x2)
FMO 50/200	SB-072 (160)	66,9 (x2)
FMO 50/160	SB-071 (116,5)	96,5
FMO 50/140	SB-070 (99,7)	80
FMO 50/120	SB-069 (80)	60
FMO 50/90	SB-067/M (50)	30

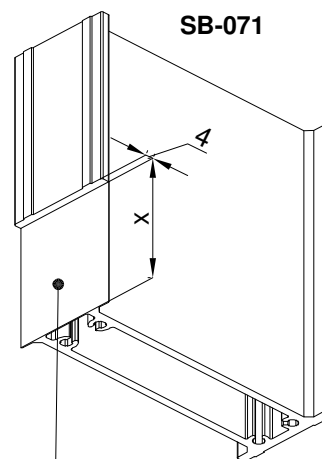
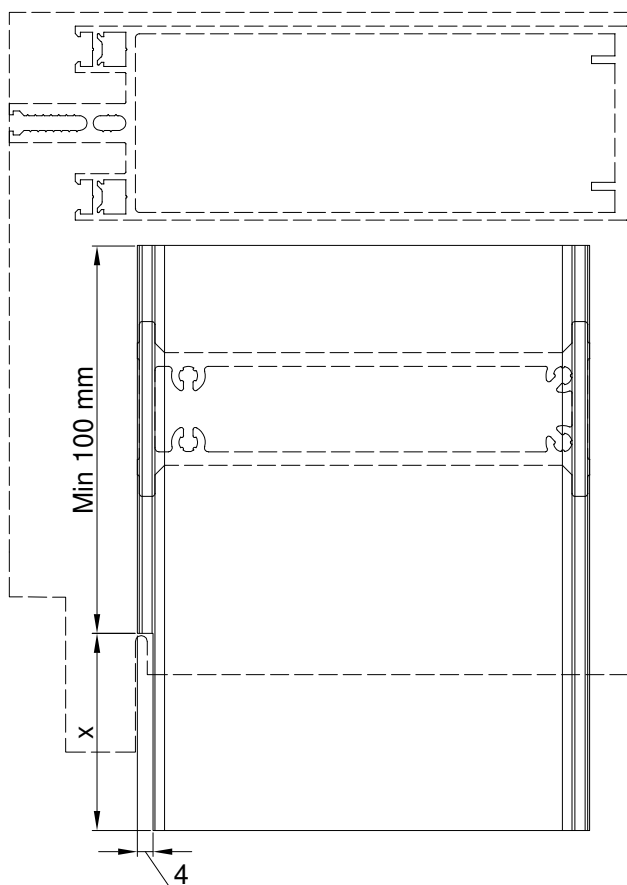
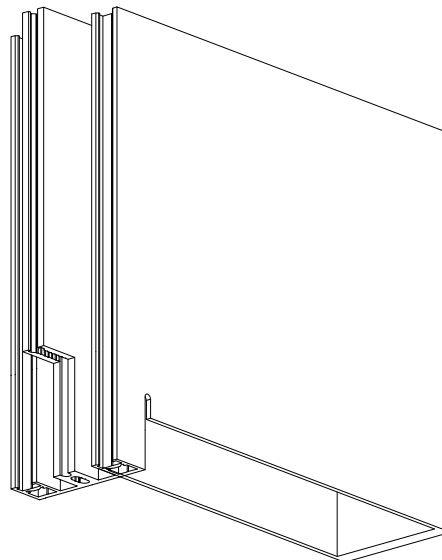
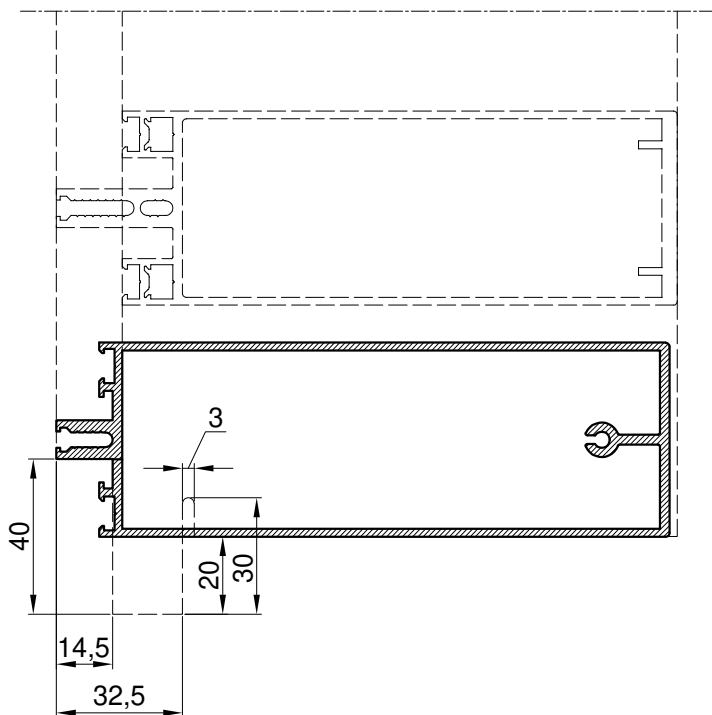


*obrada ploče prema zahtjevima na objektu je odgovornost proizvođača

*plate processing according to the building requirements, manufacturer's responsibility

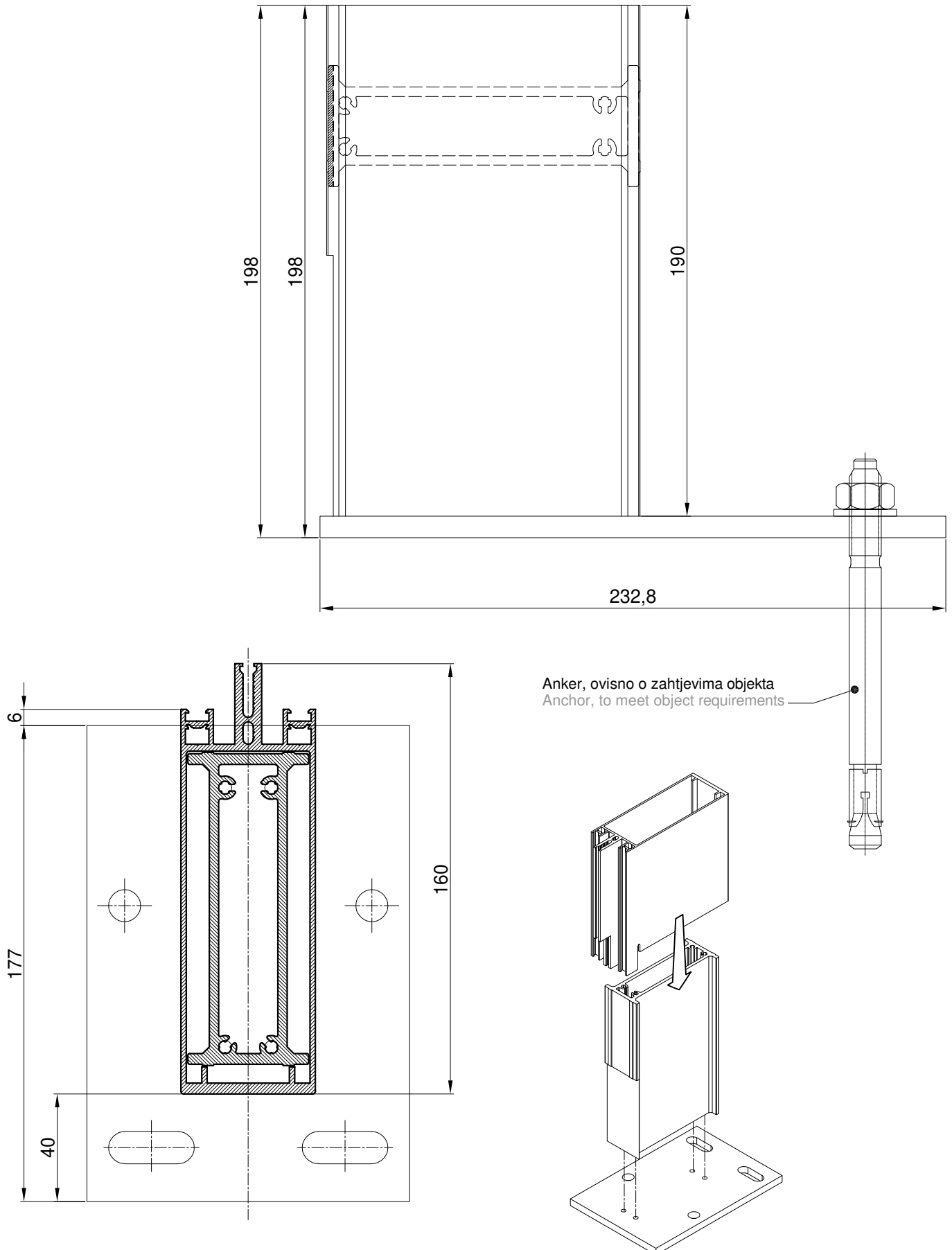


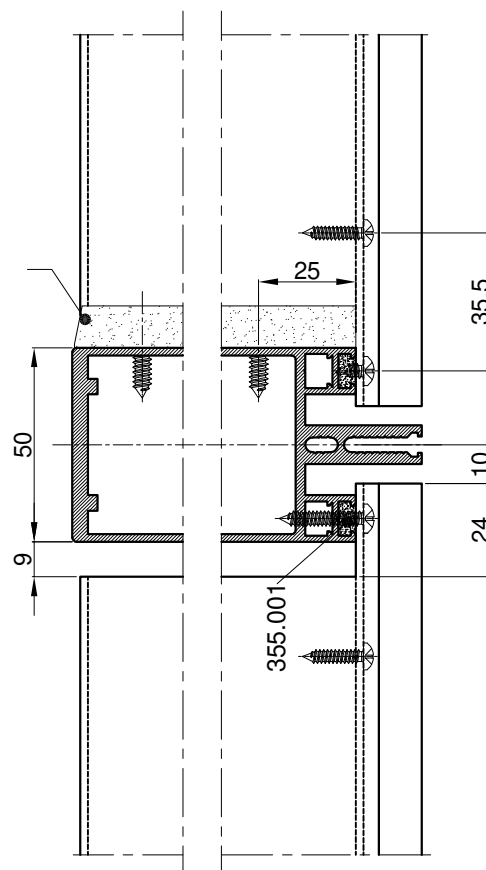
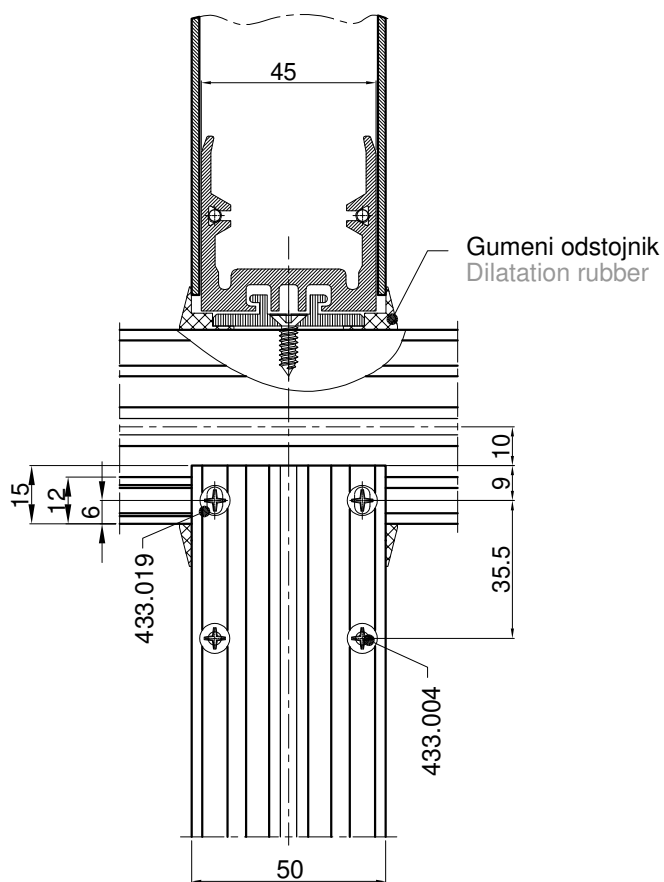
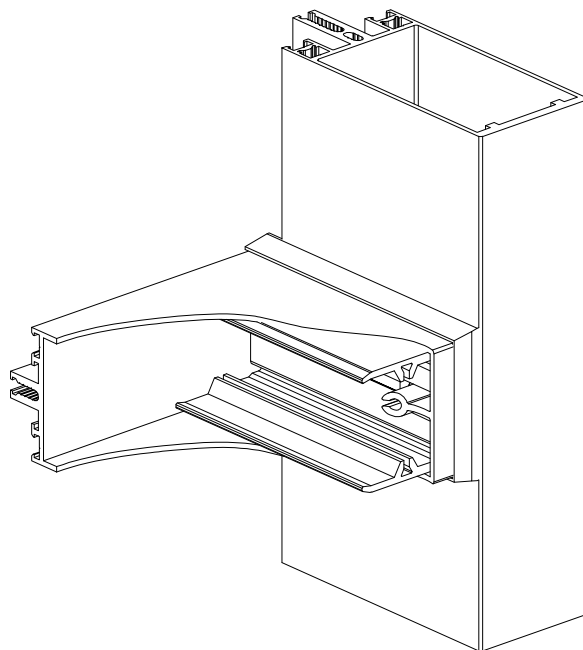
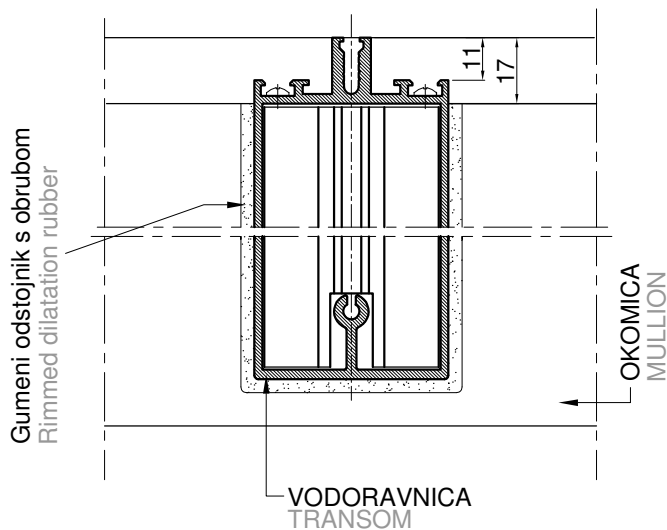
Primjer obrade okomice i umetka profila
Example of mullion and insert profile processing

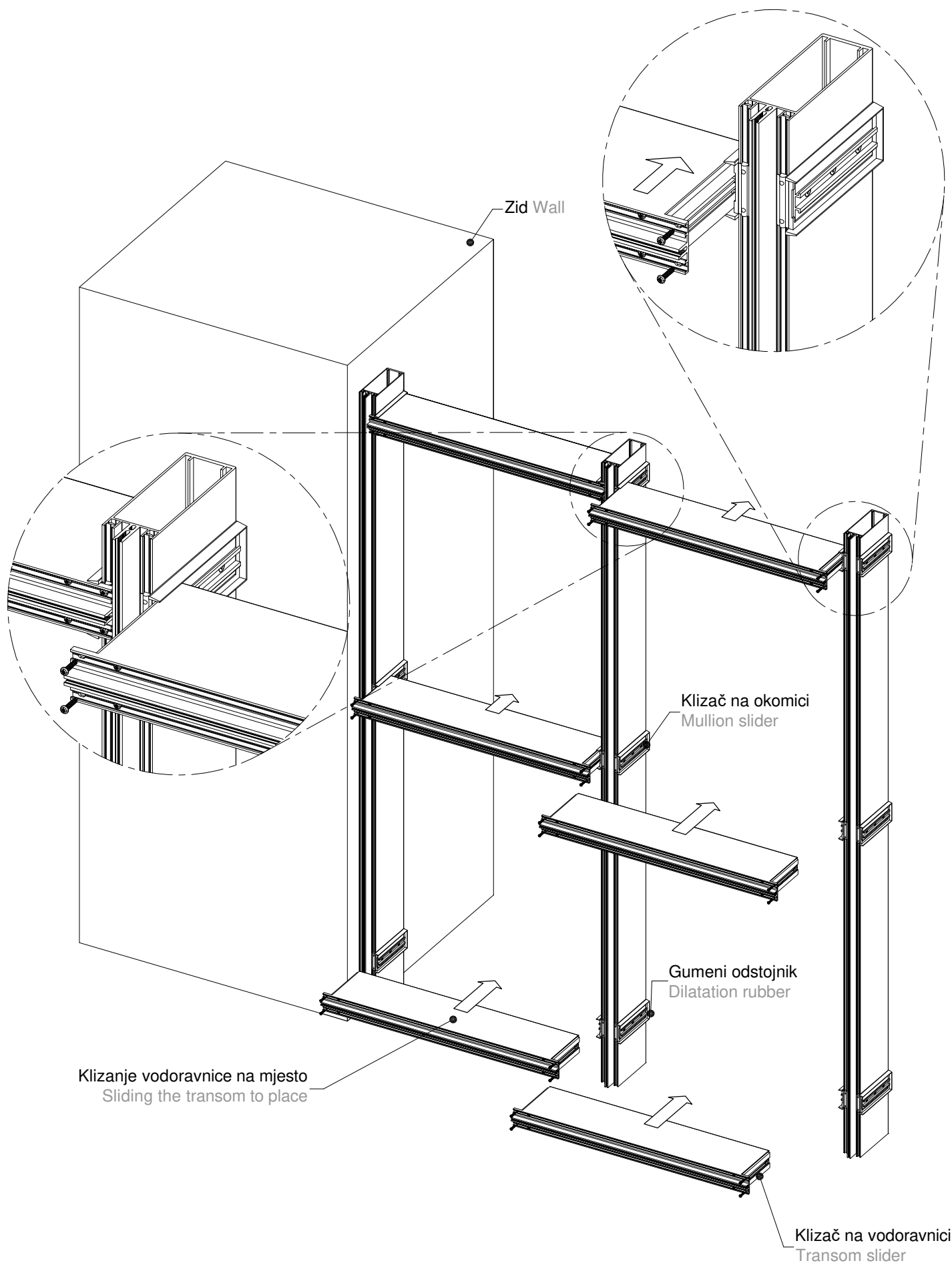


Potrebna obrada profila umetka
Necessary processing of insert profile

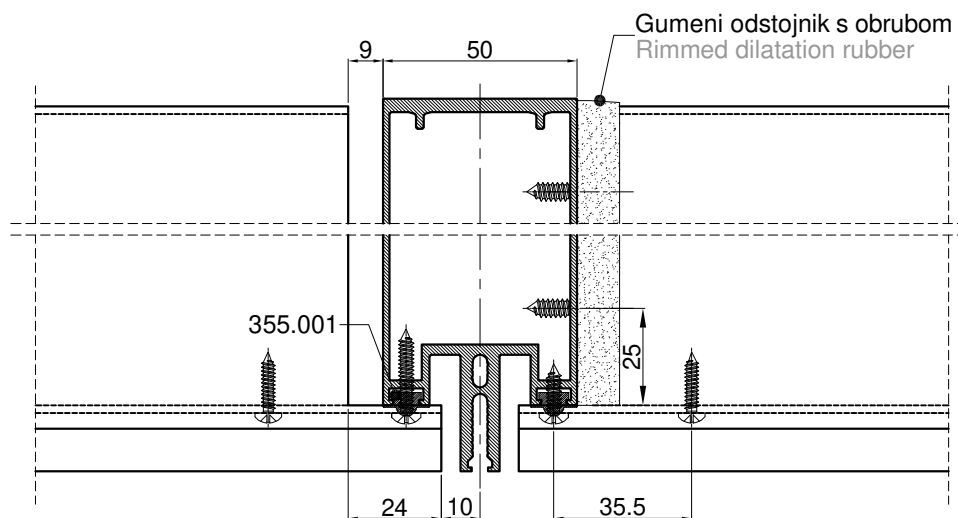
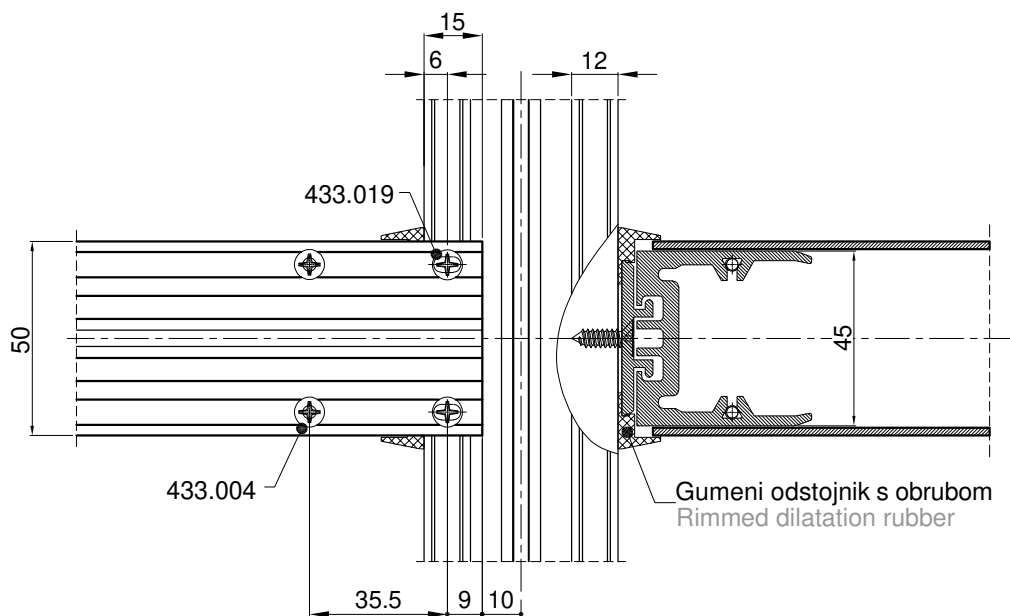
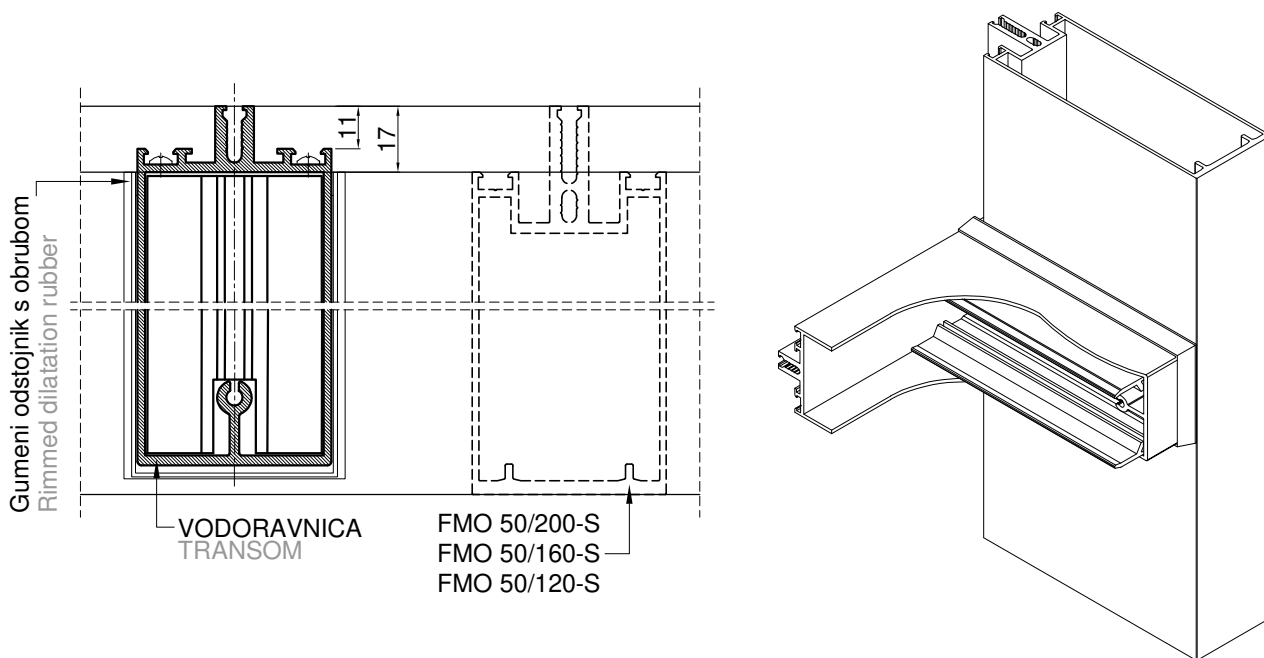
Primjer izgleda donjeg pomičnog nosača
Example of lower moveable support



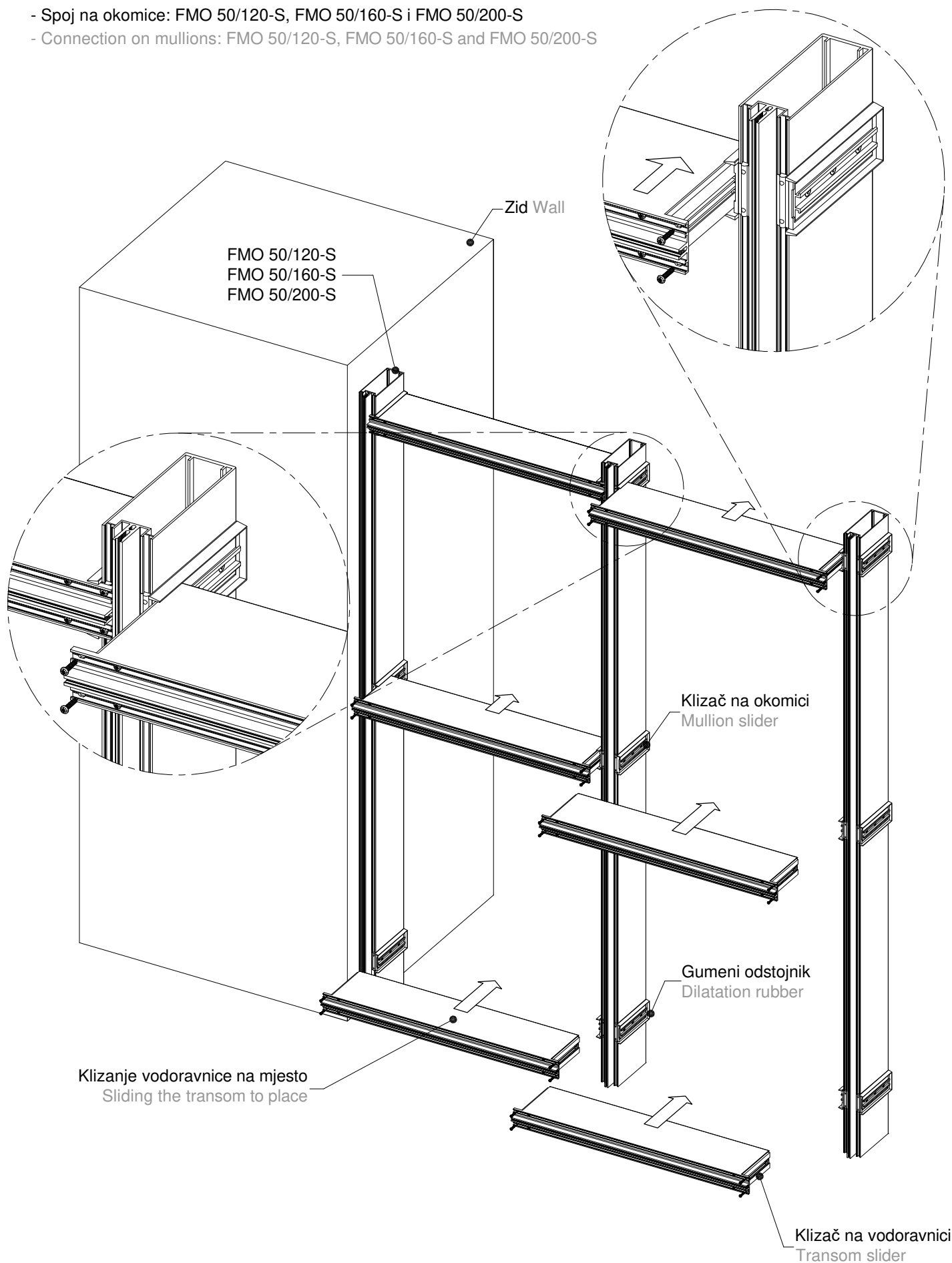


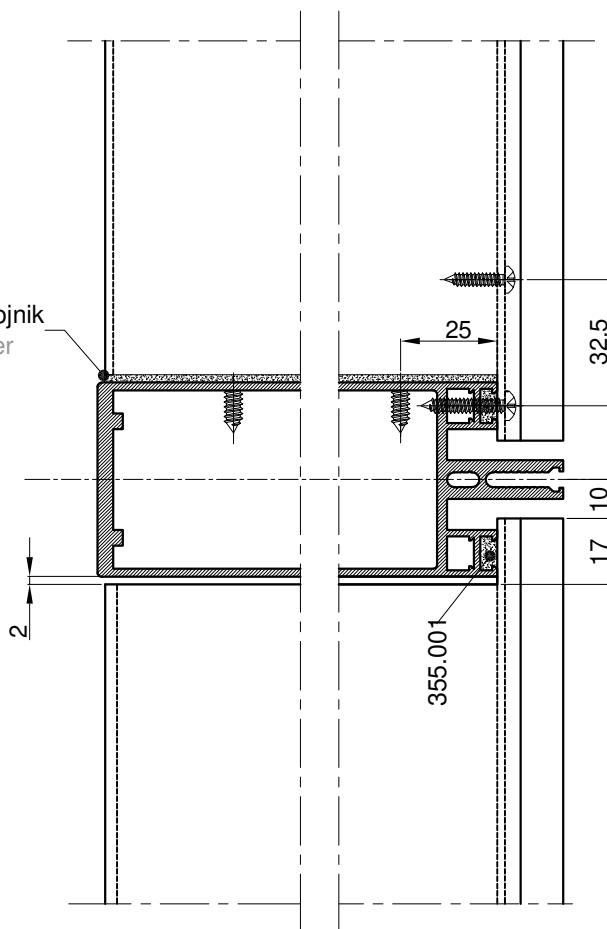
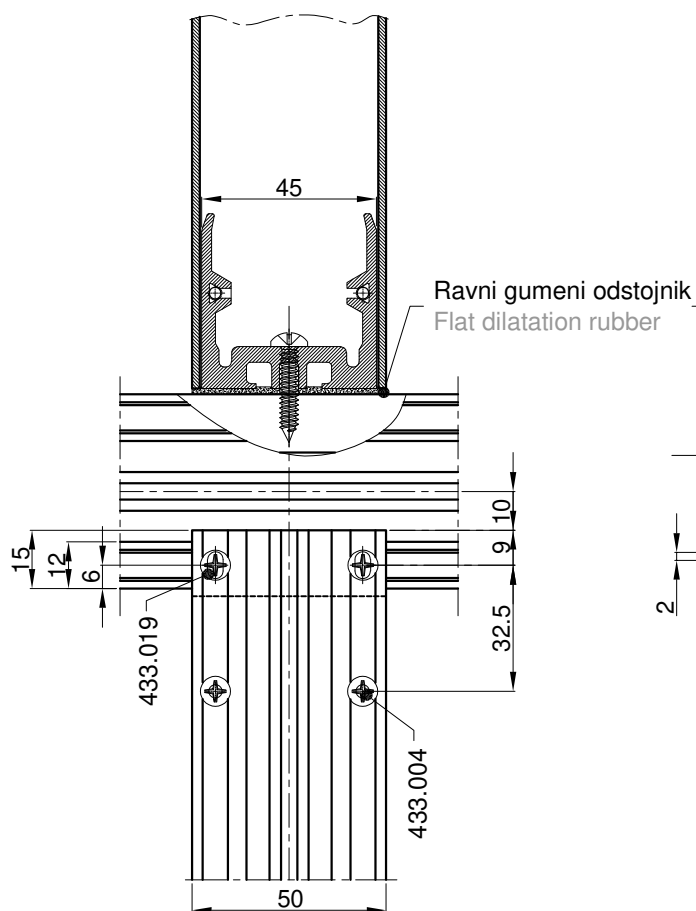
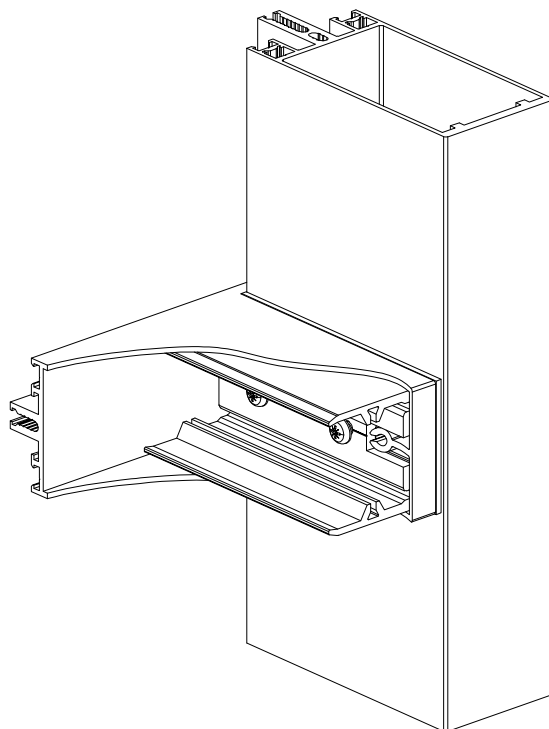
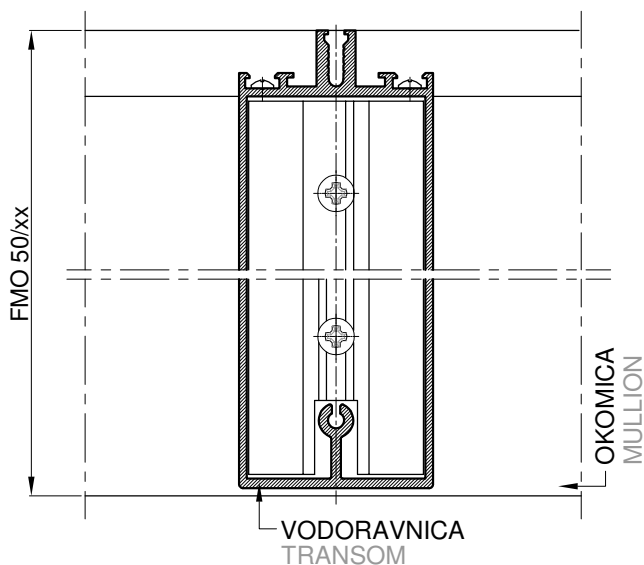


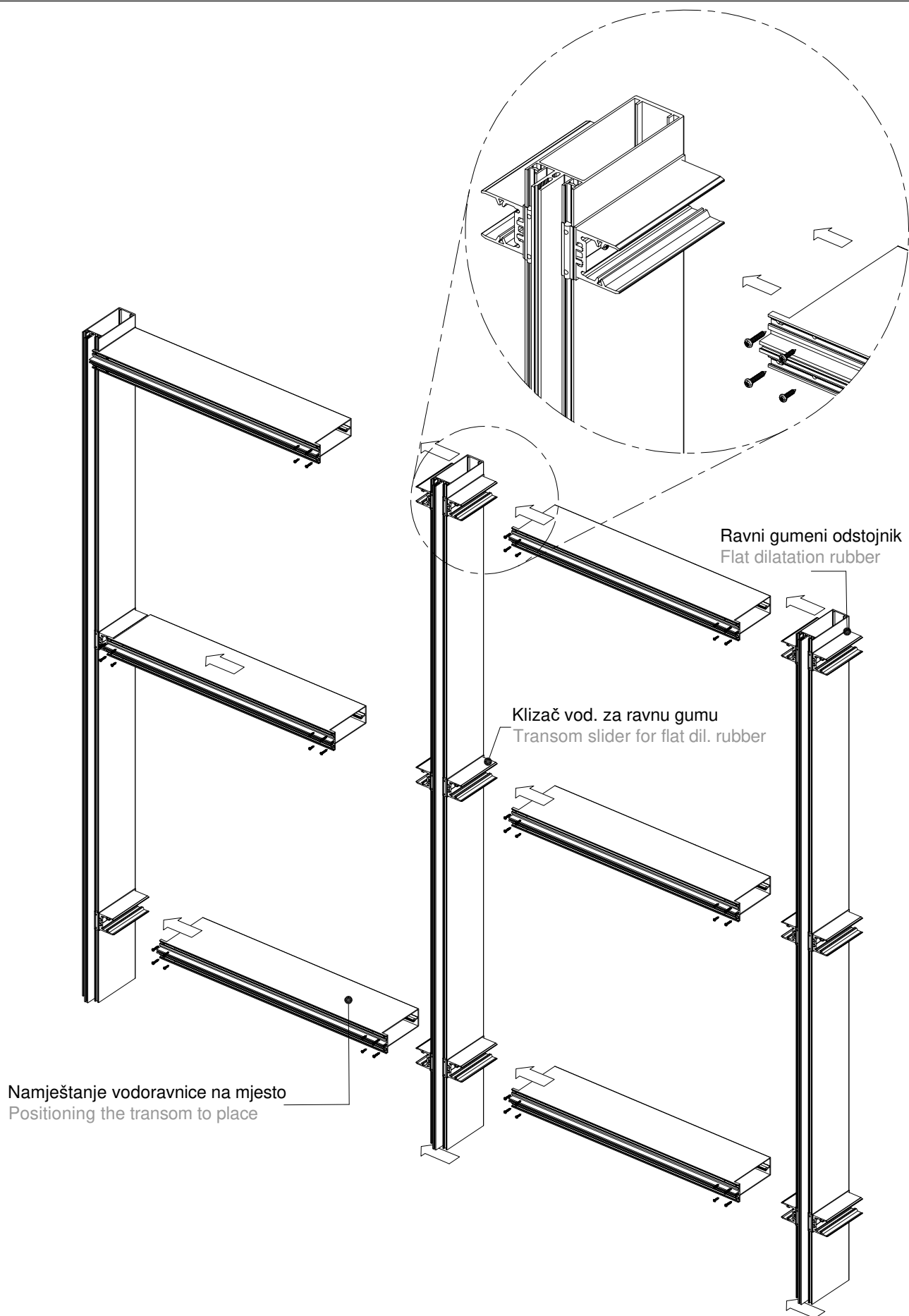
- Spoj na okomice: FMO 50/120-S, FMO 50/160-S i FMO 50/200-S
- Connection on mullions: FMO 50/120-S, FMO 50/160-S and FMO 50/200-S

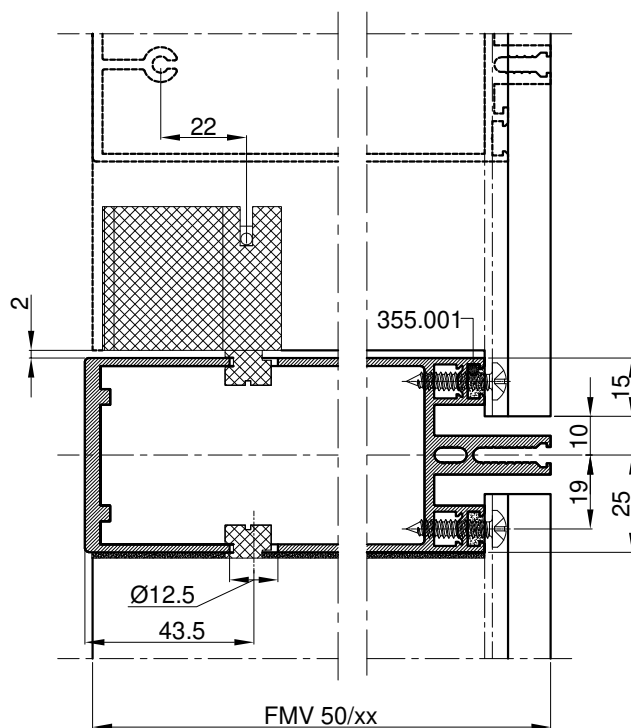
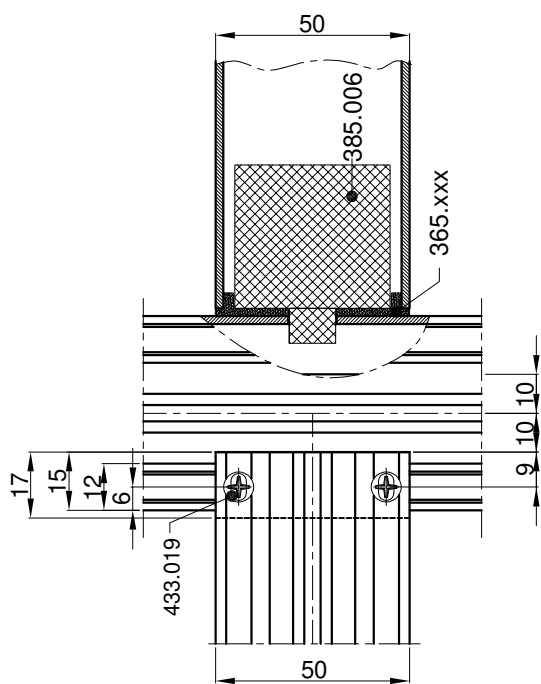
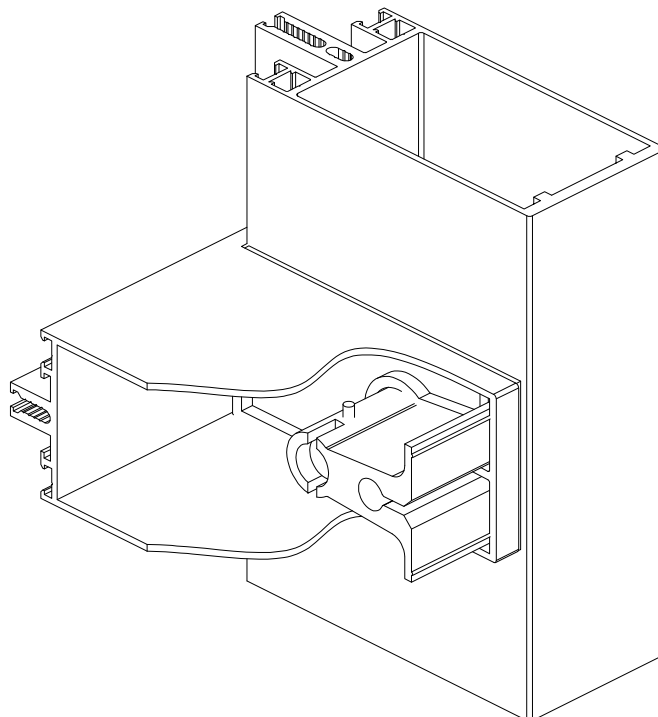
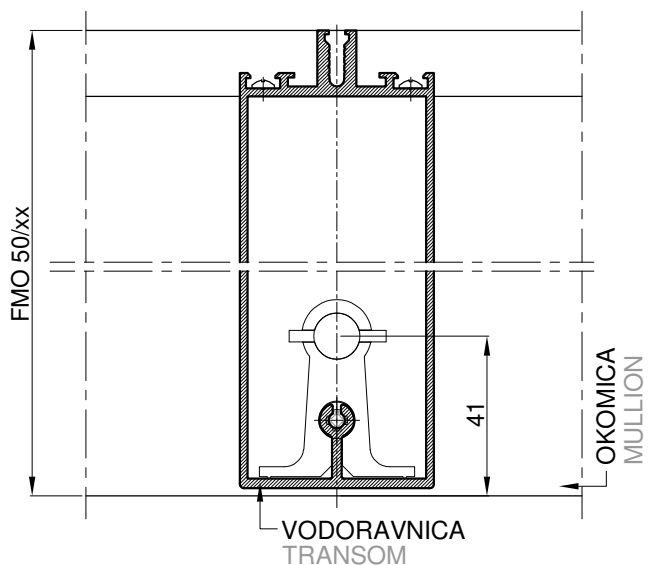


- Spoj na okomici: FMO 50/120-S, FMO 50/160-S i FMO 50/200-S
- Connection on mullions: FMO 50/120-S, FMO 50/160-S and FMO 50/200-S

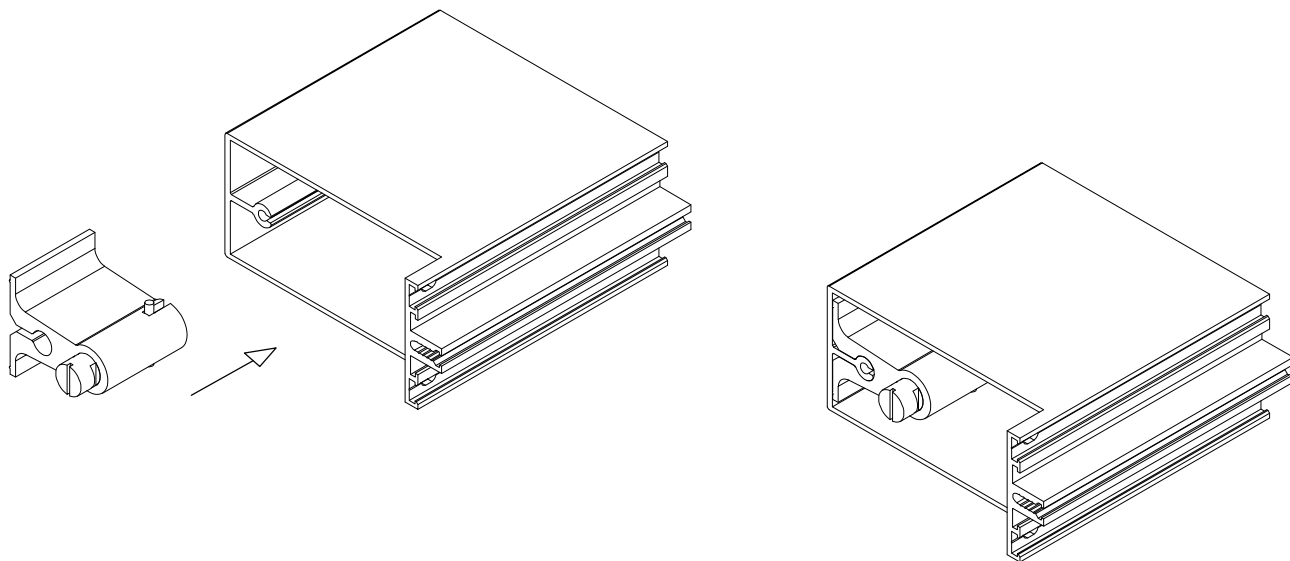




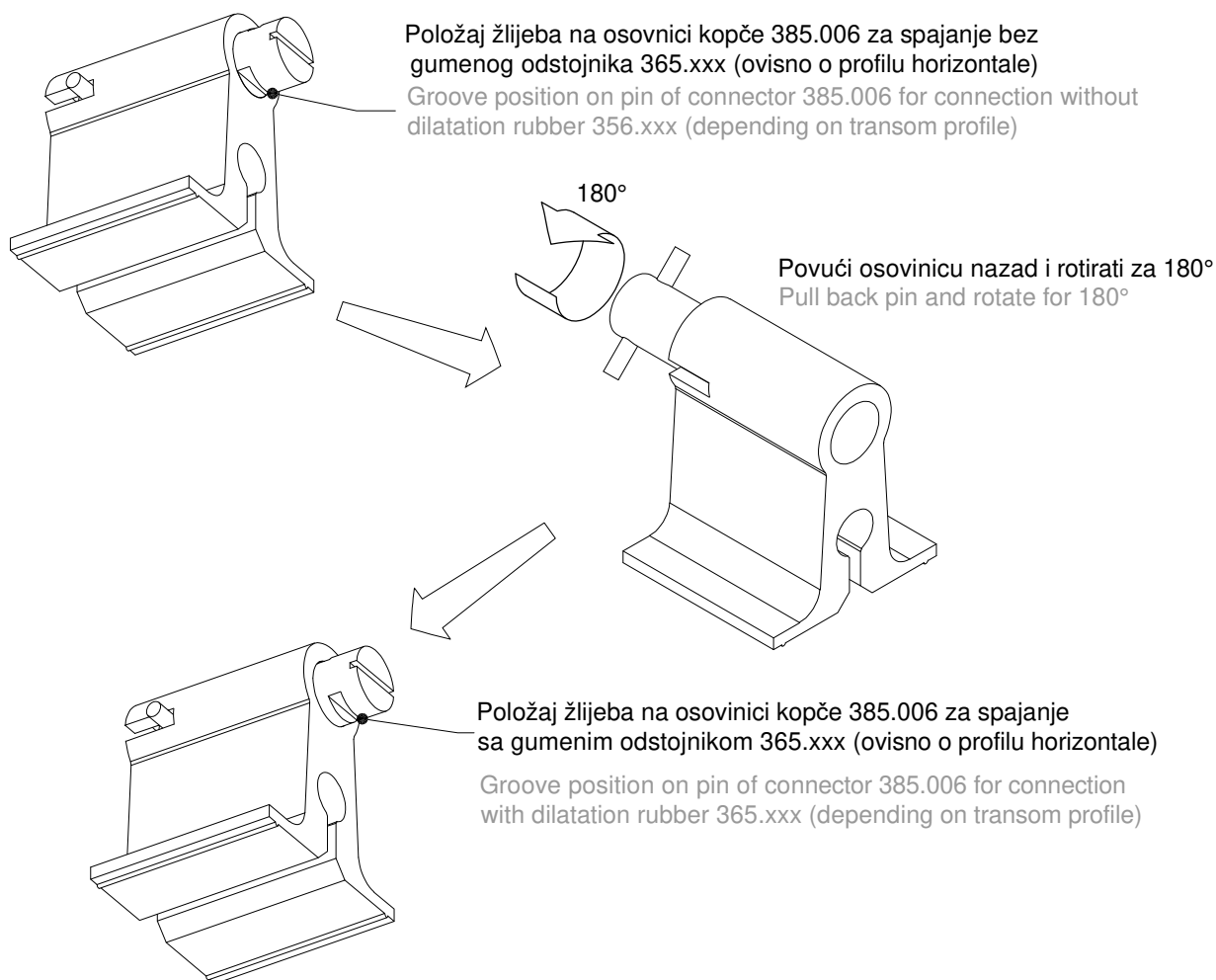


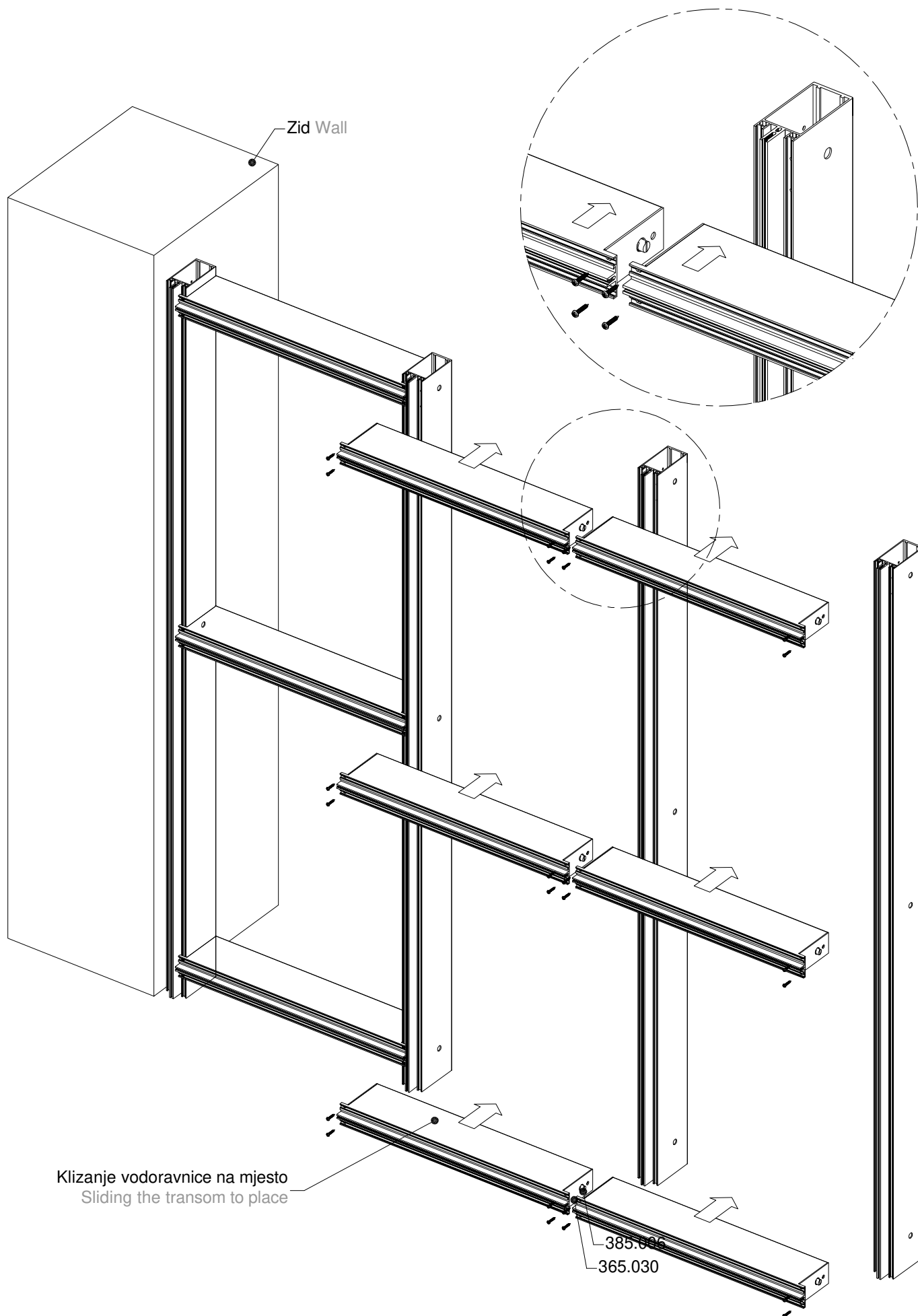


Montaža kopče 385.006 na profil vodoravnice
Montage of connector 385.006 on transom profile



Dvojaka mogućnost spajanja kopče 385.006
Dual connectivity function of connector 385.006

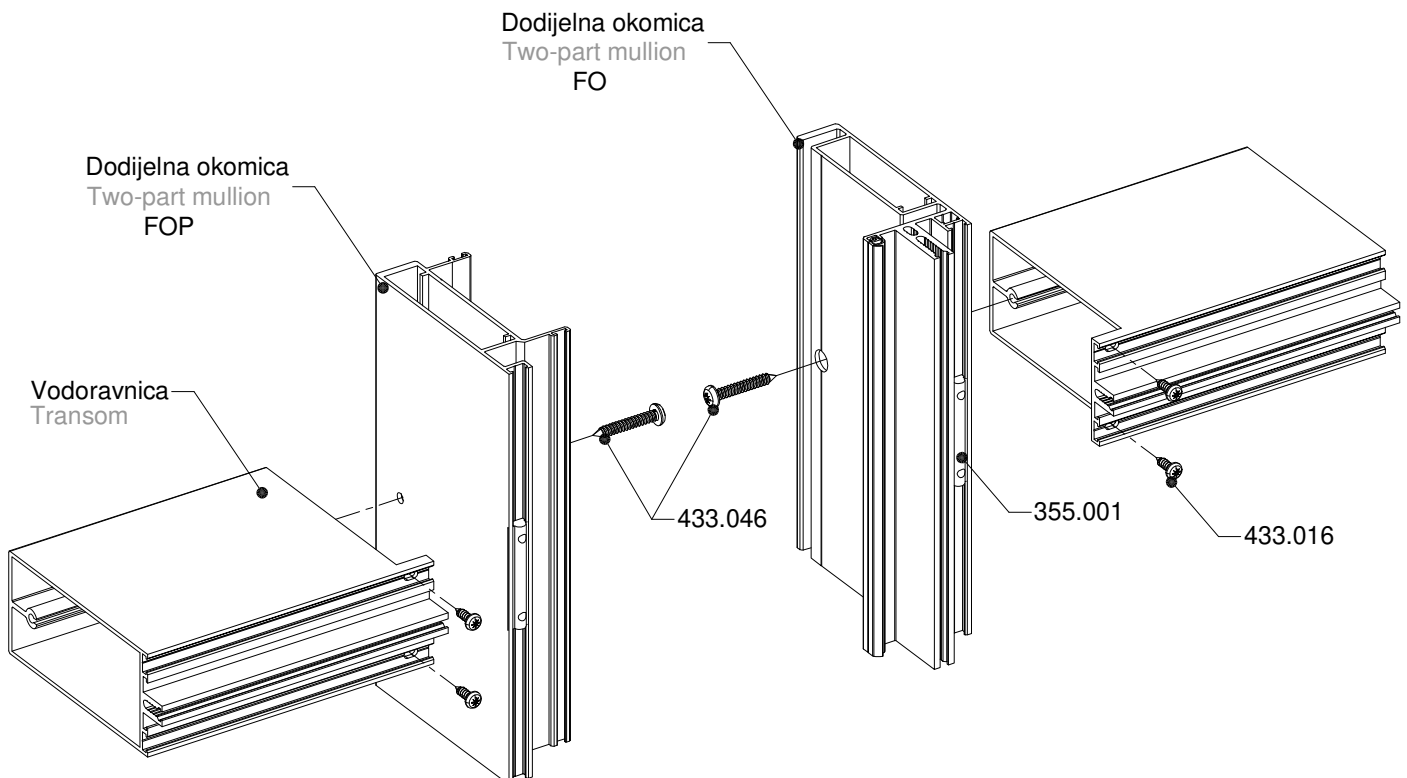
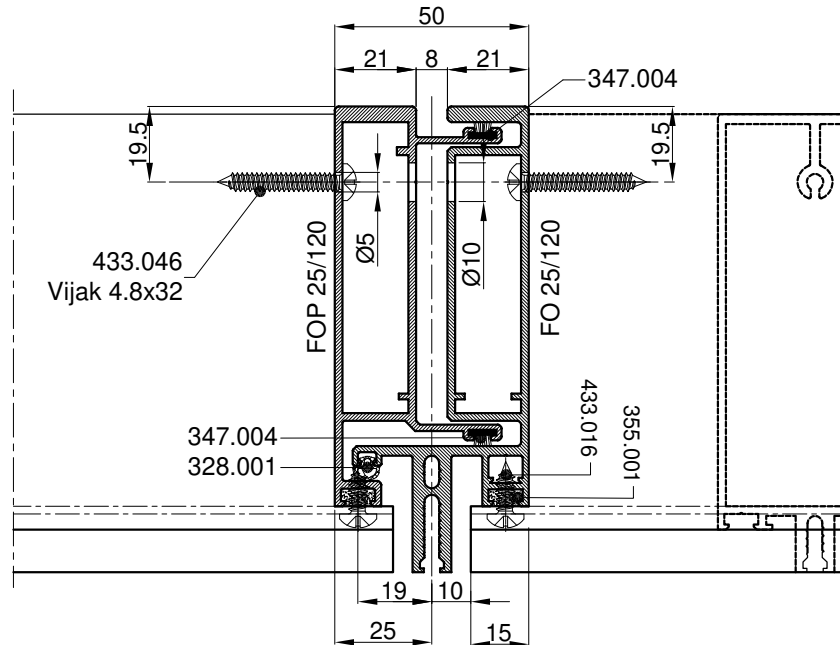


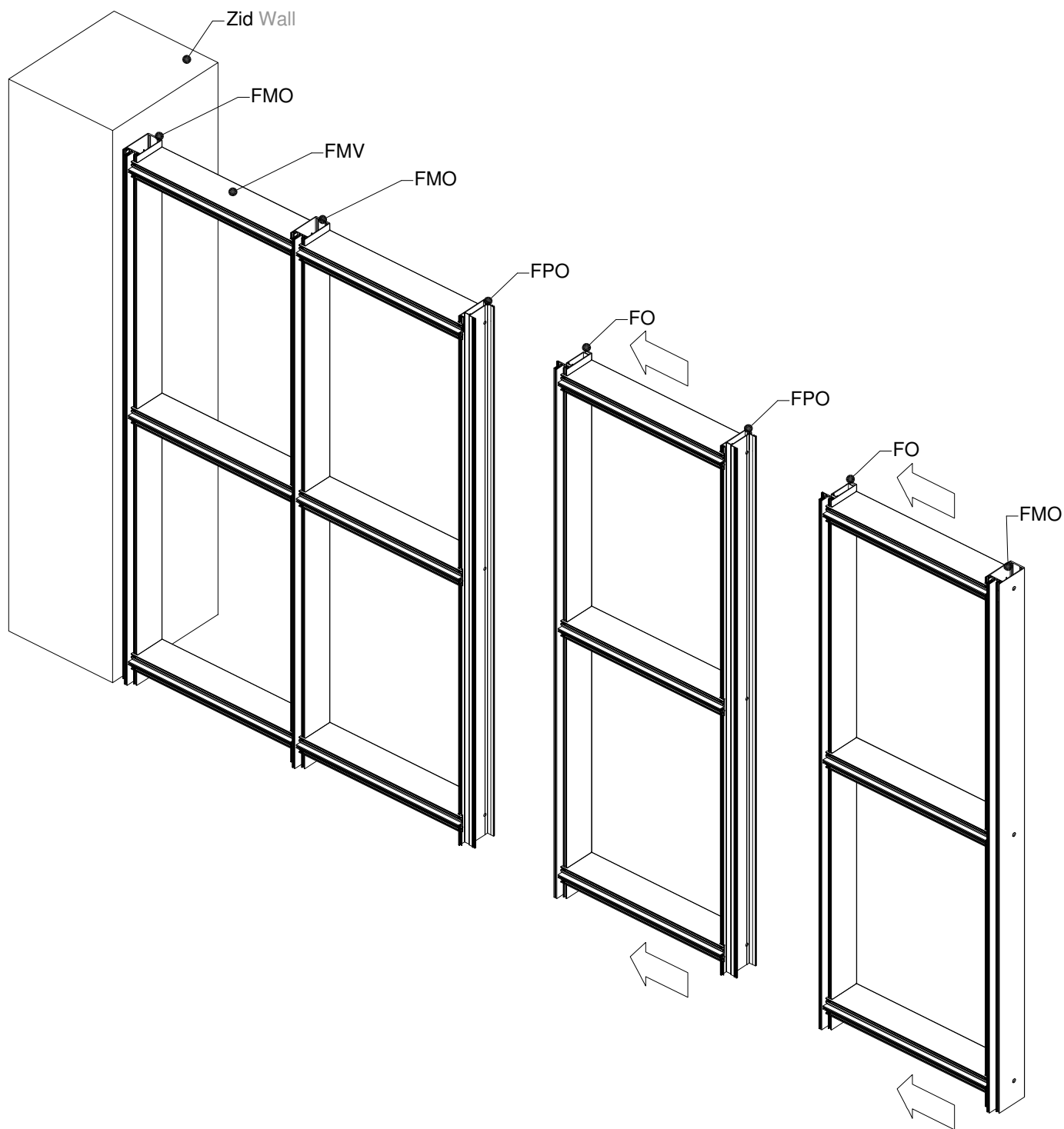


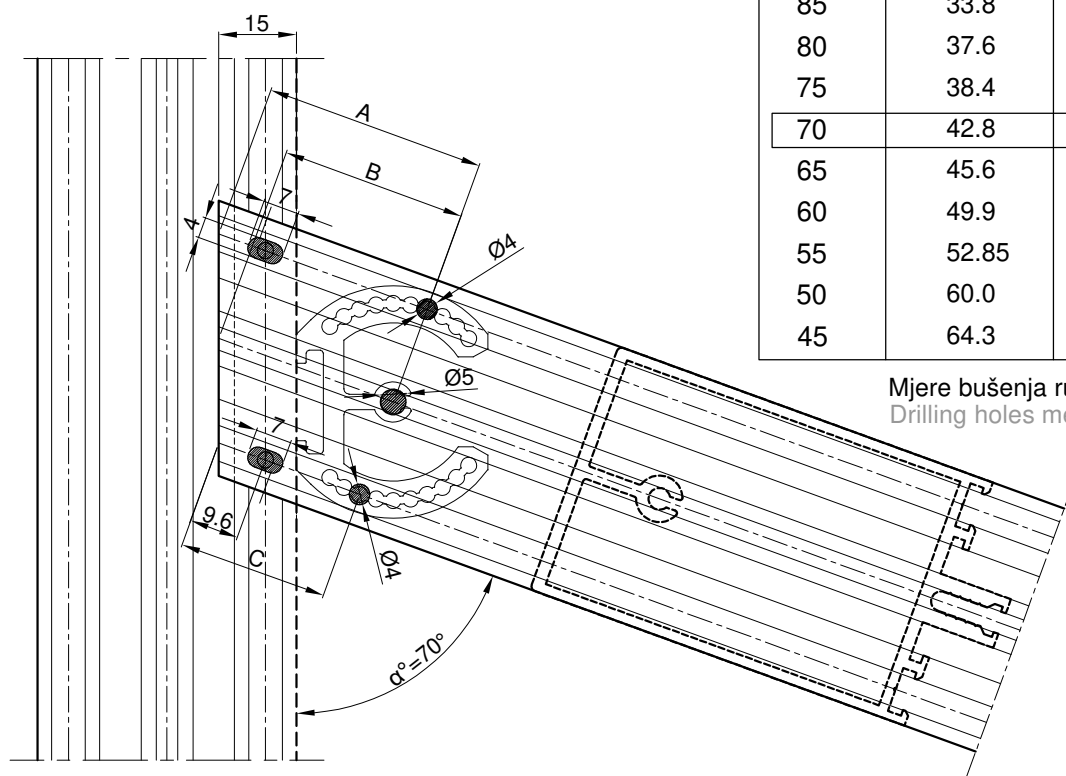
Spoj vodoravnice sa dvodijelnom okomicom
Transom joint with two-part mullion

Dvodijelne okomice: Two-part mullions:

- FOP 25/200 --- FO 25/200
- FOP 25/160 --- FO 25/160
- FOP 25/120 --- FO 25/120
- FOP 25/90 --- FO 25/90



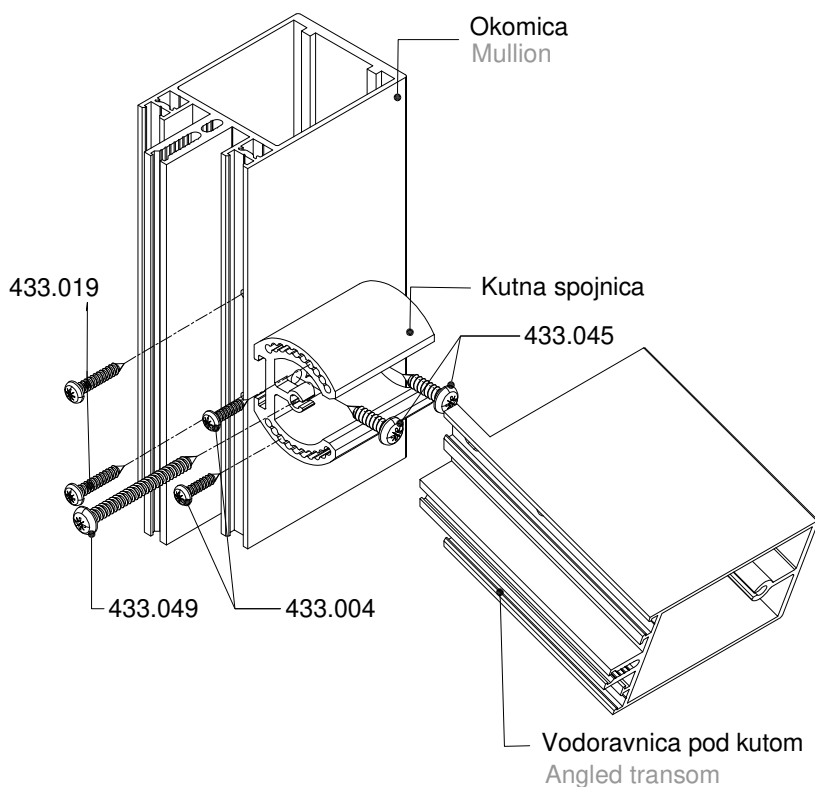




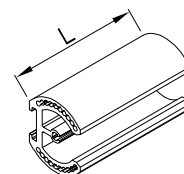
α°	A (mm)	B (mm)	C (mm)
85	33.8	33.9	33.8
80	37.6	34.25	30.9
75	38.4	34.9	31.5
70	42.8	35.9	28.9
65	45.6	38.45	31.25
60	49.9	39.0	28
55	52.85	41.2	29.5
50	60.0	44.1	28.1
45	64.3	43.6	26.3

Mjere bušenja rupa za spojnicu pod kutom
Drilling holes measures for angular connection

Spojnicu okomice i vodoravnice pod kutom
Angled mullion-transom connection

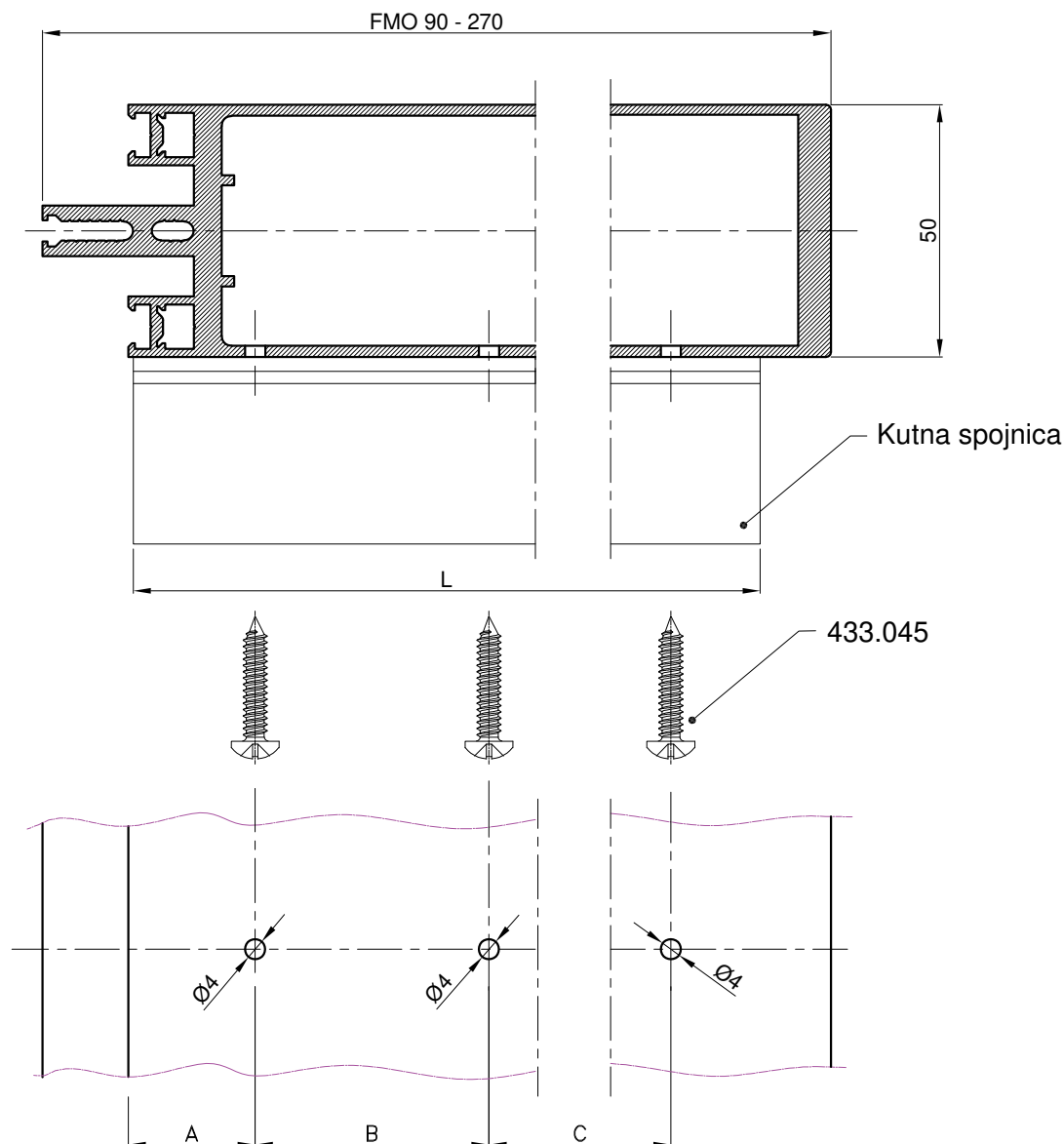


Vodoravnica Transom	Oznaka kutne spojnice Angle connector code	L (mm)
FMV 50/268	722.211	223.5
FMV 50/198	722.206	153
FMV 50/158	722.205	114
FMV 50/138	722.207	94
FMV 50/118	722.204	74
FMV 50/88	722.203	45
FPO 50/136	722.210	92
FVS 50/158	722.208	108
FPV 50/138	722.209	88
FVS 50/118	722.202	70
FVS 50/88	722.201	40



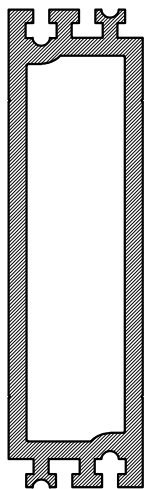
Kutna spojnicu
Angle connector

- Položaj rupa na okomicama za spoj pod kutom
- Hole positioning on mullions for angular connection

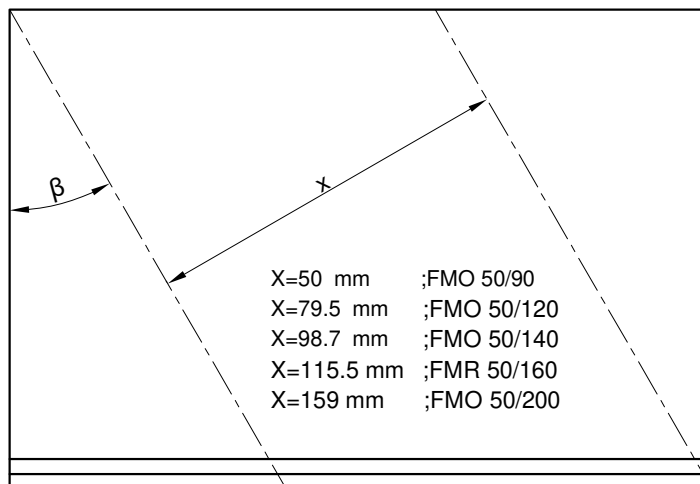


Oznaka Code	L (mm)	A (mm)	B (mm)	C (mm)
722.211	223.5	25	87.75	87.75
722.206	153	25	43	43
722.205	114	25	40	40
722.207	94	25	30	30
722.204	74	25	40	
722.203	45	11	25	
722.210	92	25	43	
722.208	108	25	43	
722.209	88	25	43	
722.202	70	25	30	
722.201	40	13.4	20.1	

Spojnicica okomica
SB-066/M
Mullion connection
SB-066/M

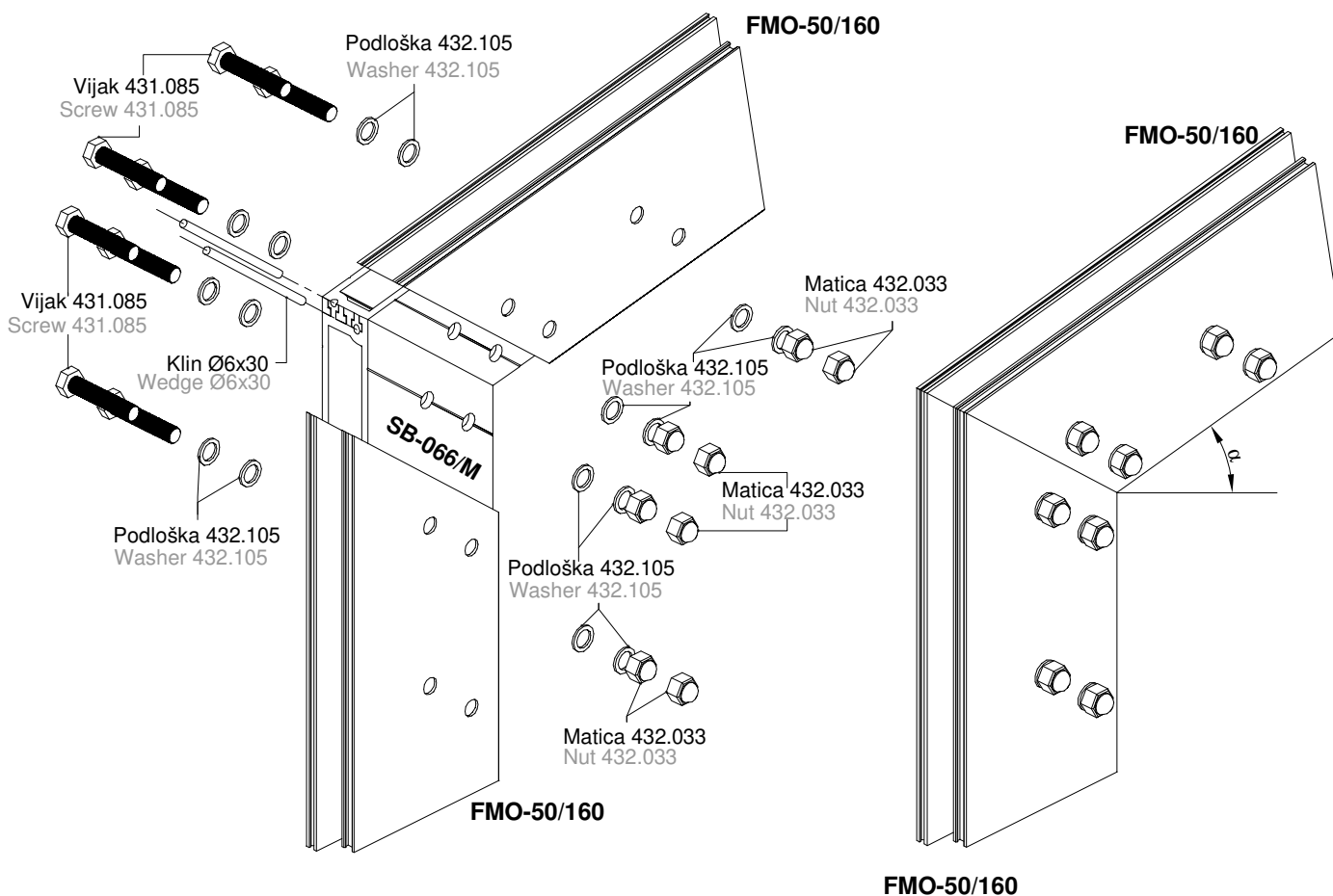


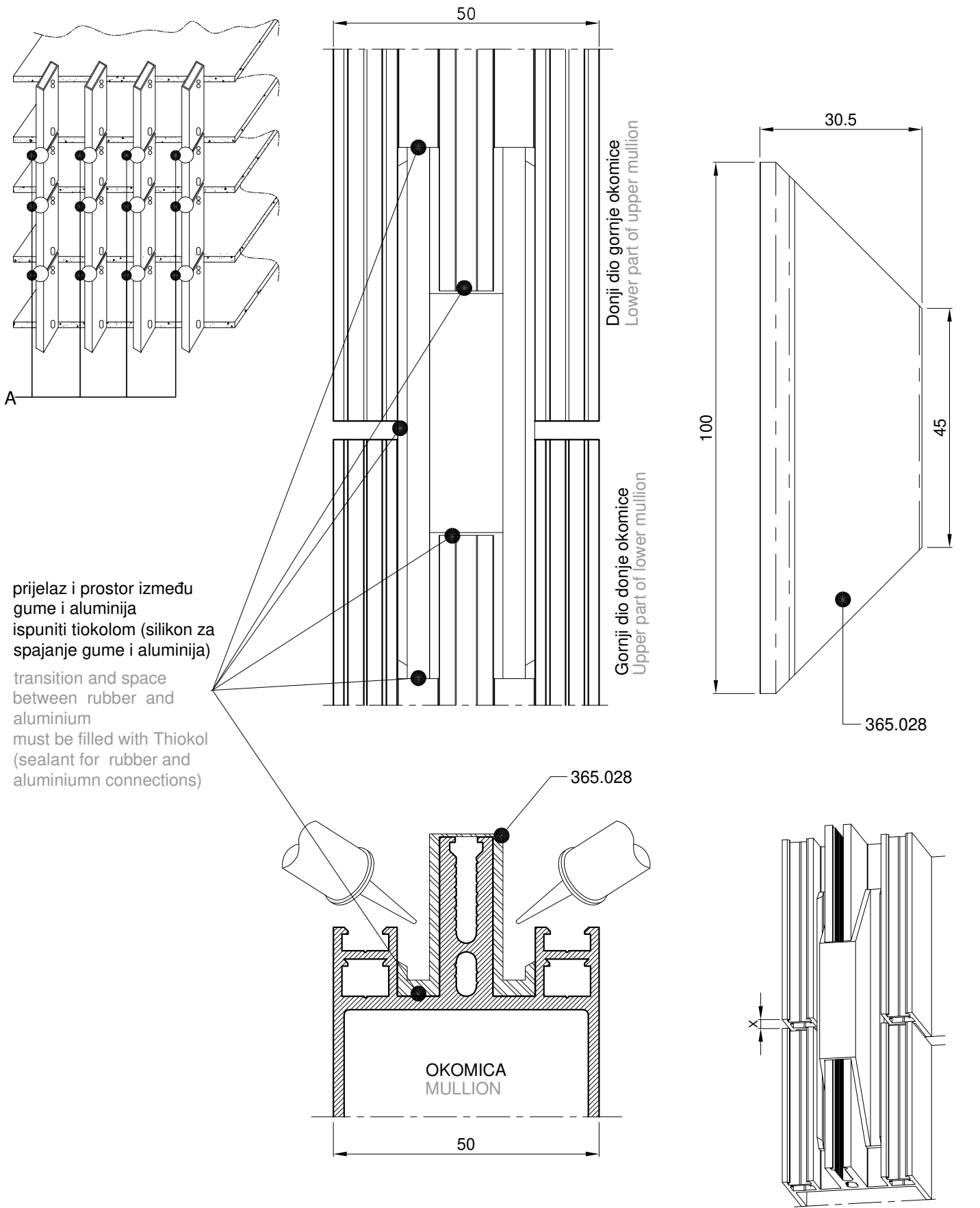
Primjer pilanja spojnicice okomica
Example of sawing of the mullion connection



$$\beta = 90^\circ - (90^\circ + \alpha^\circ) / 2$$

Nagib profila okomice Mullion angle	α°	0	5	10	15	20	25	30	35	40	45	50	55	60	65	70	75	80	85
Kut pilanja Sawing angle	β°	45	42.5	40	37.5	35	32.5	30	27.5	25	22.5	20	17.5	15	12.5	10	7.5	5	2.5



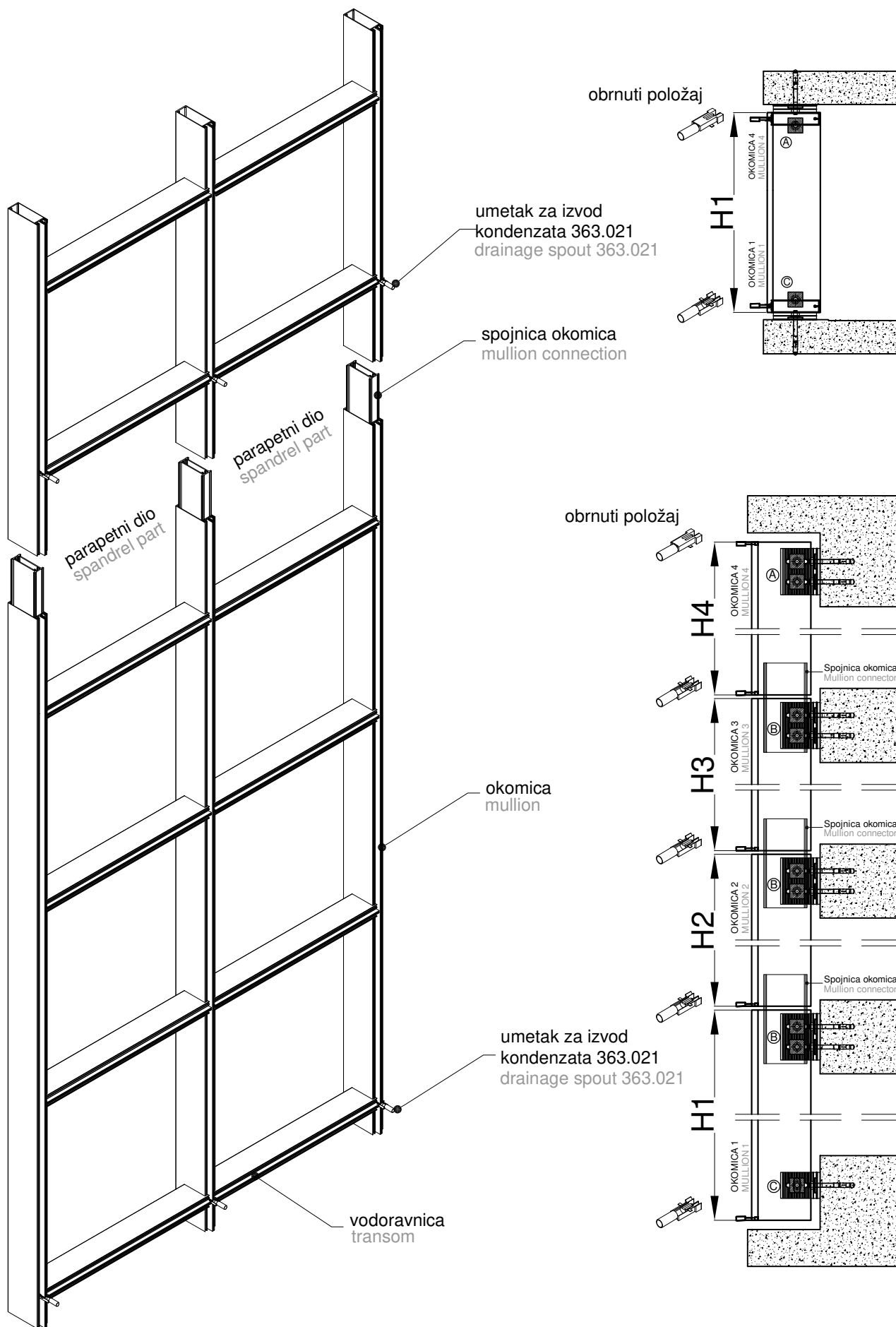


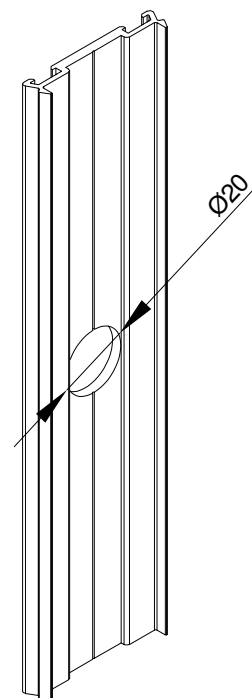
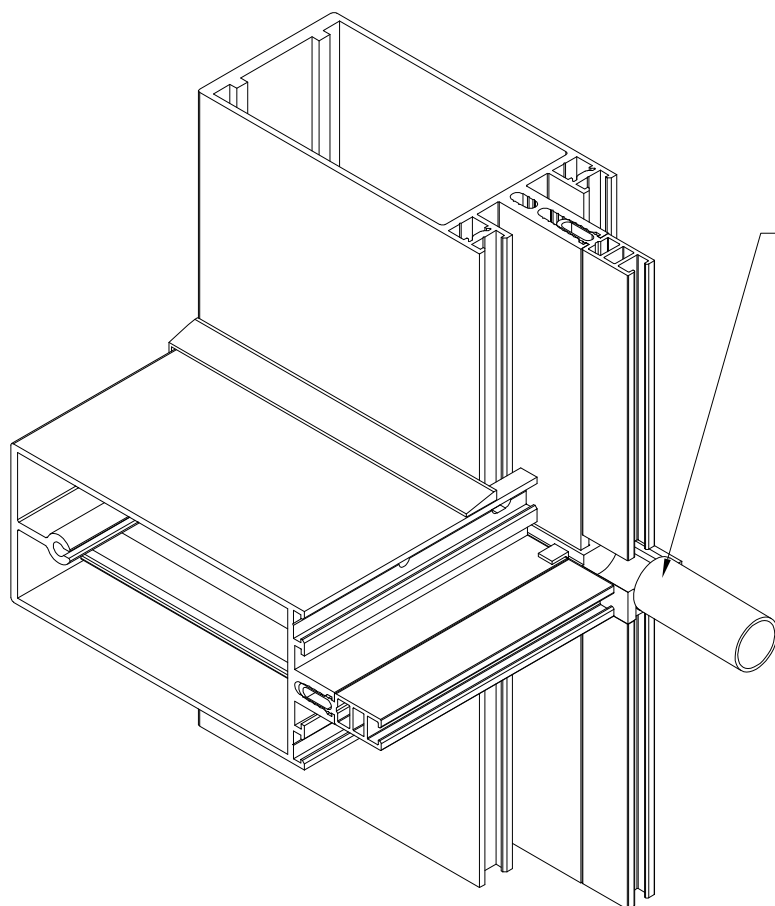
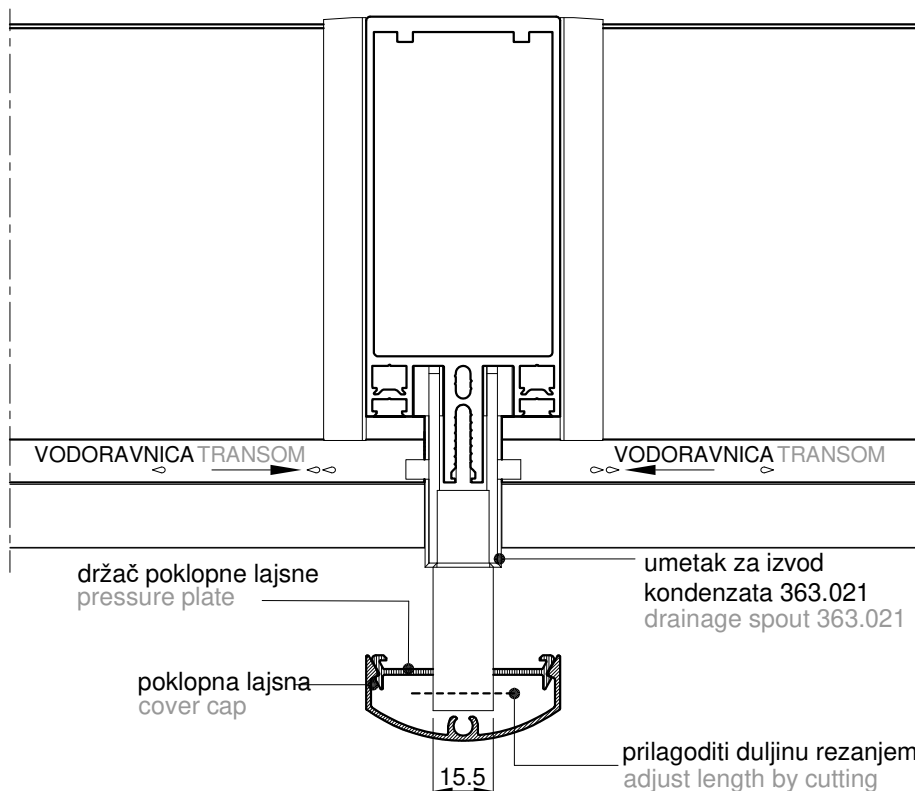
prijelaz i prostor između gume i aluminija ispuniti tiokolom (silikon za spajanje gume i aluminija)

transition and space between rubber and aluminium must be filled with Thiokol (sealant for rubber and aluminium connections)

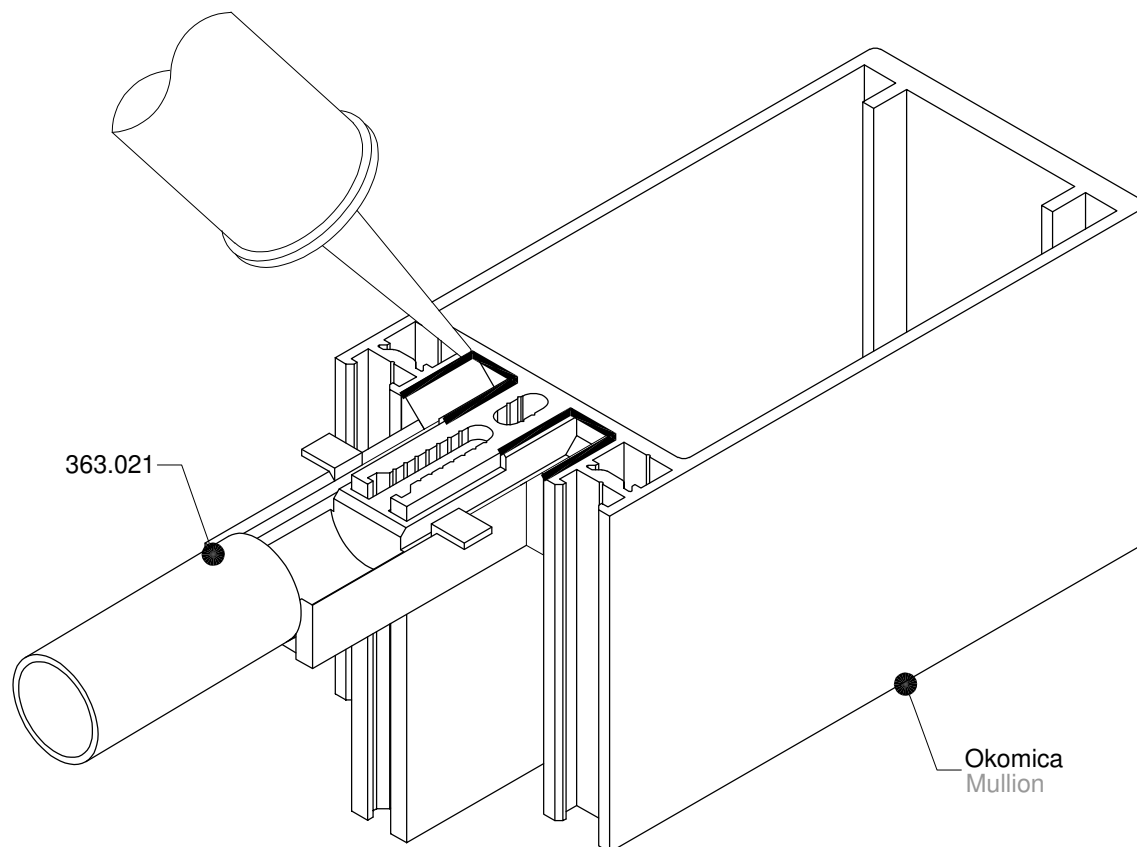
X - ovisi od dužini okomica (min 10 mm)

X - depends on the length of the mullions (min 10 mm)



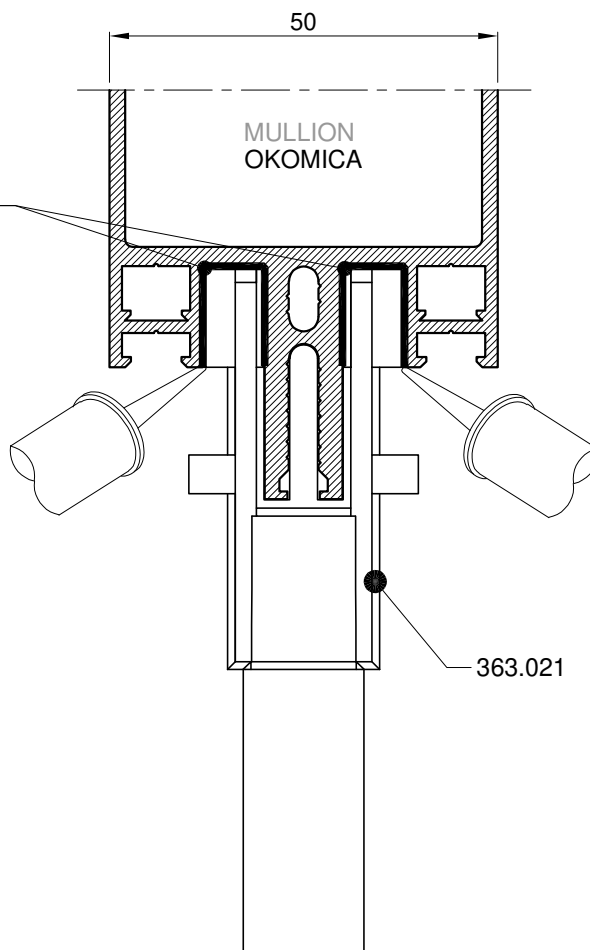


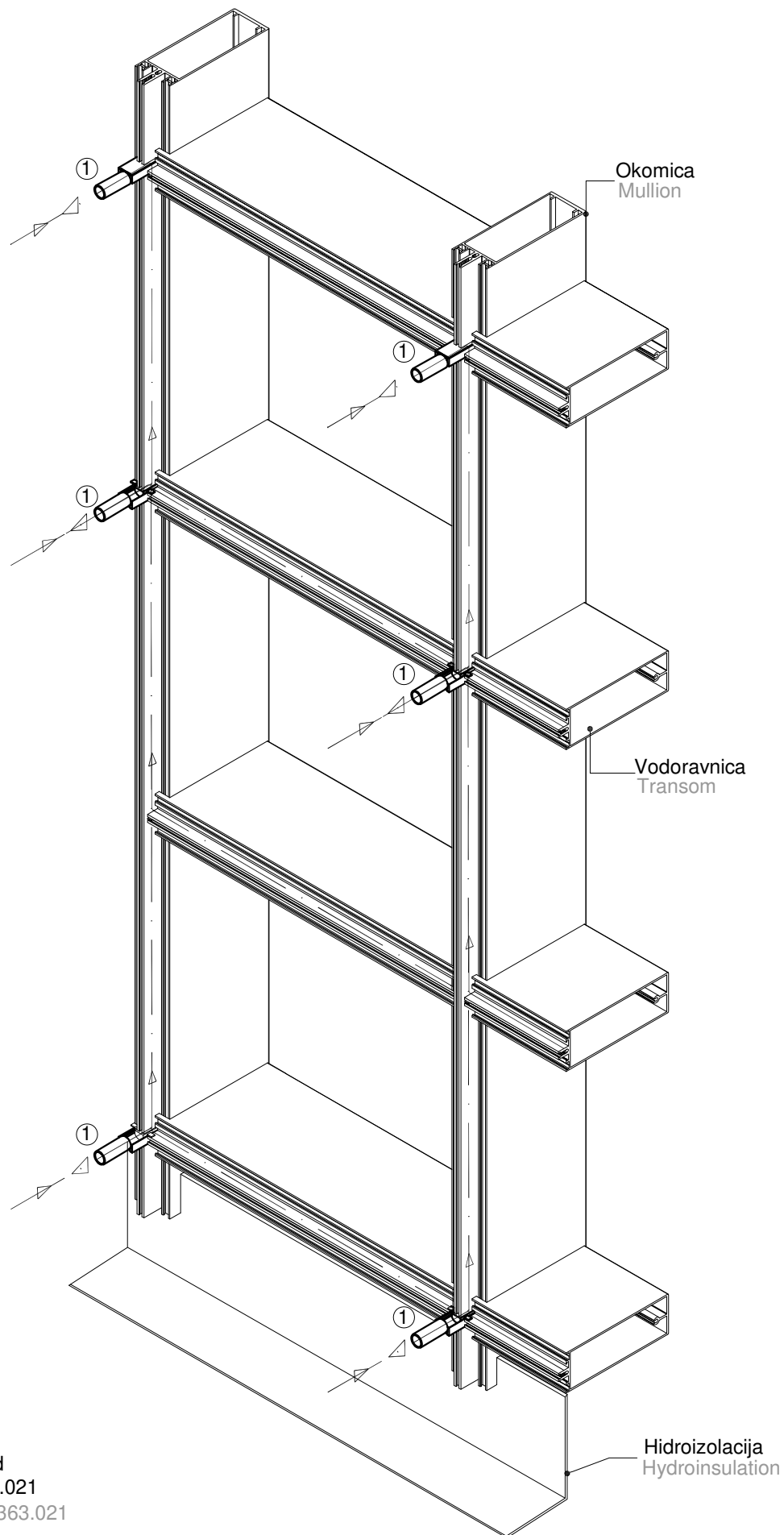
Obrada držača poklopne lajsne
Pressure plate processing



prostor između gume i
aluminija ispuniti silikonom
za spajanje gume i
aluminija

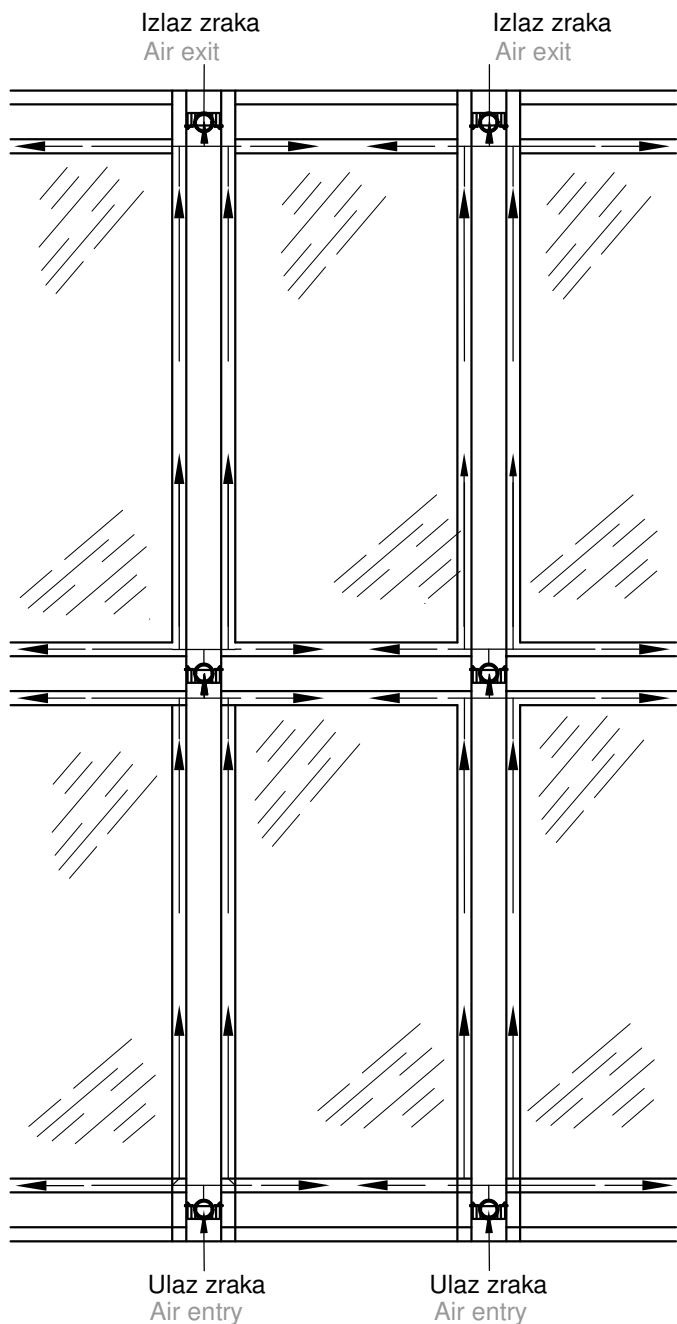
space between rubber and
aluminium must be filled
with sealant for rubber and
aluminium connections



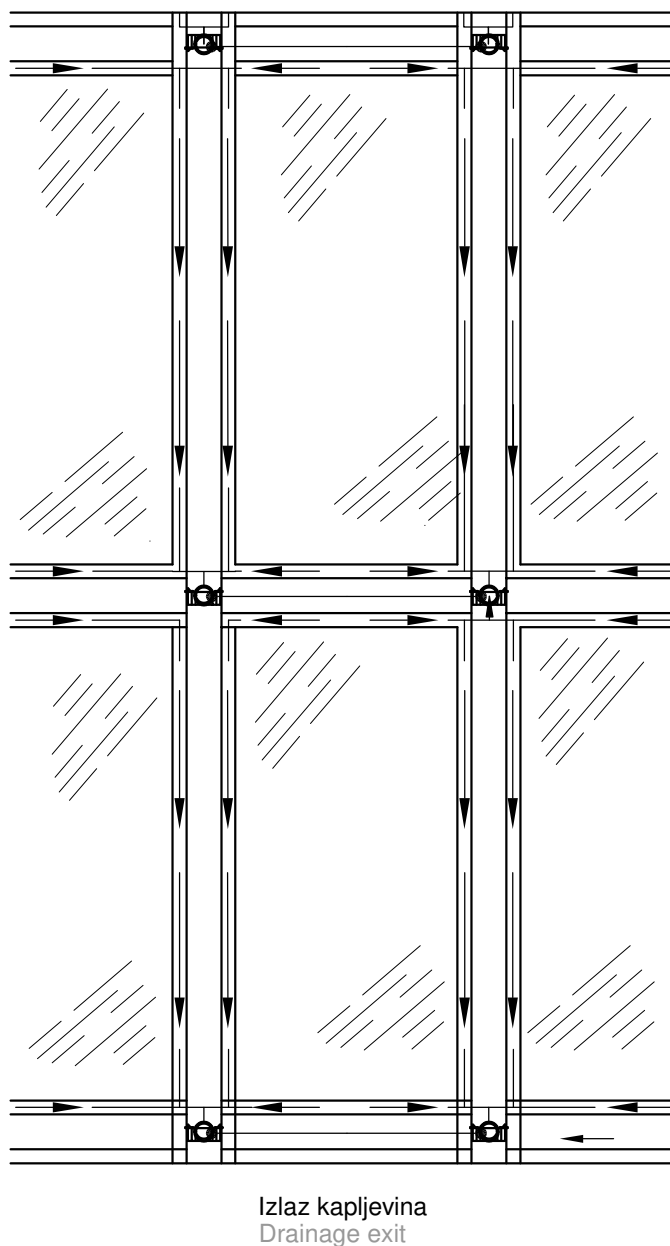


Umetak za izvod
kondenzata 363.021
① Drainage spout 363.021

Strujanje zraka Air circulation

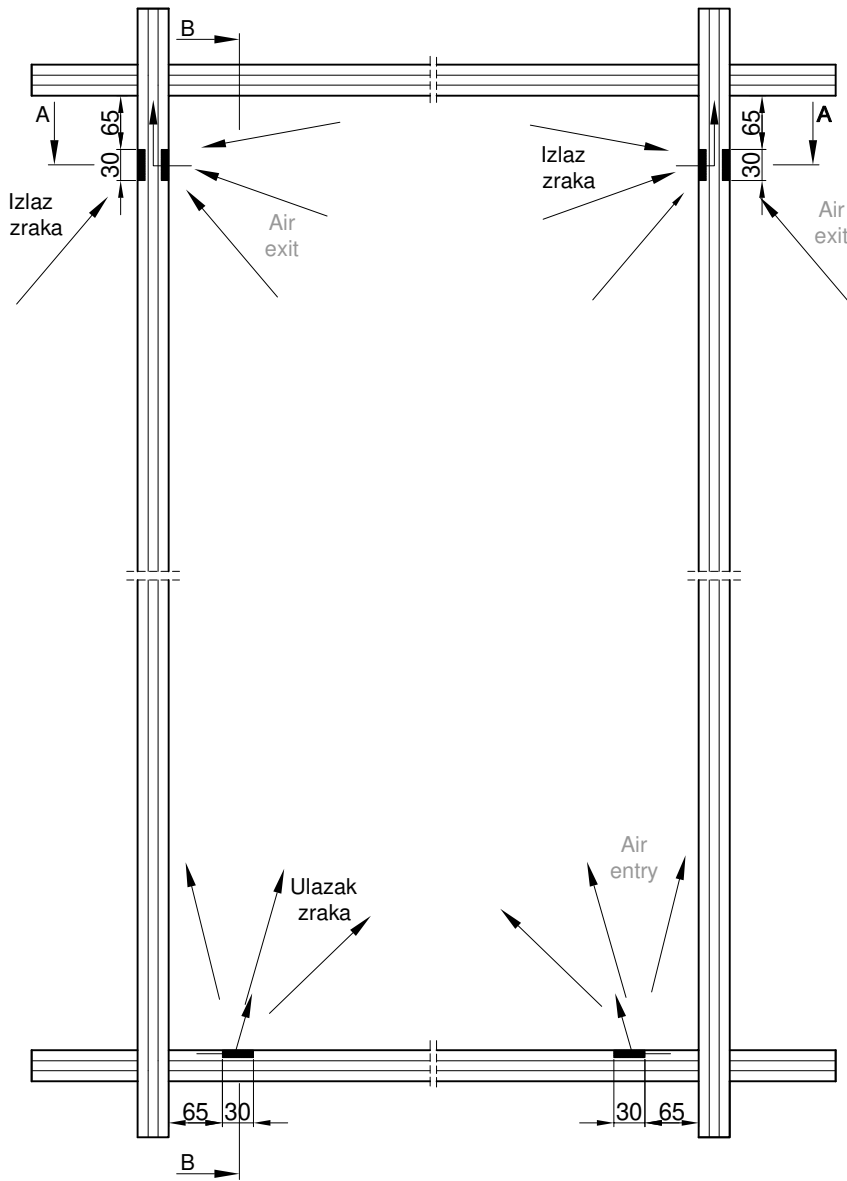


Odvod kapljevina Drainage

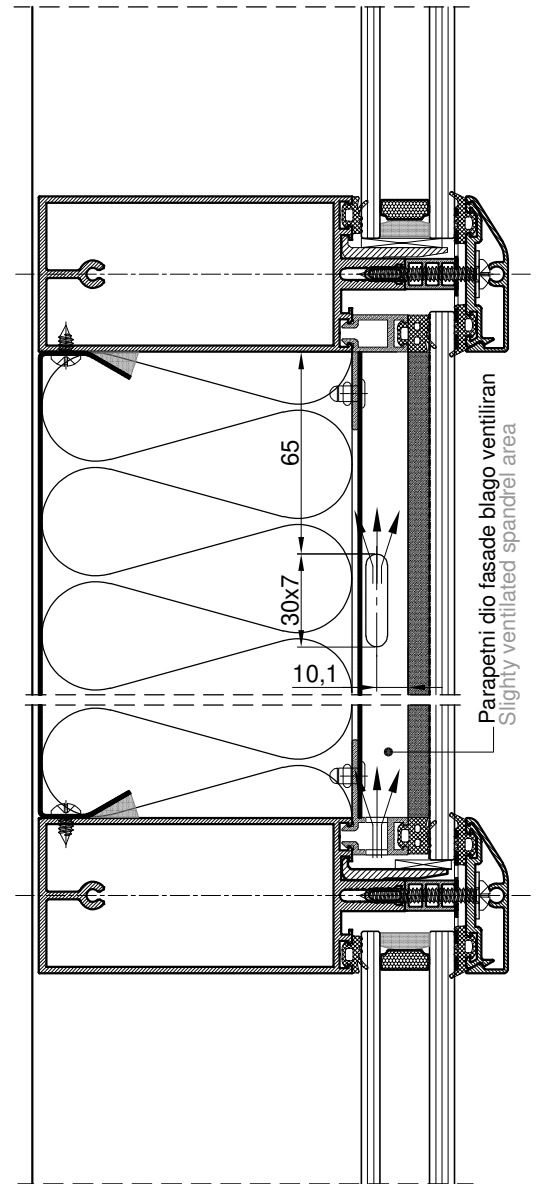


- Sistem fasade FEAL 50FK konstruiran je tako da su žlijebovi u okomici i vodoravnici u različitim ravninama. Zrak ulazi kroz donji odvod kapljevina, te struji kroz okomice i vodoravnice od parapeta premaatici čemu ostvaruje potrebno ventiliranje fasade i suši moguće kapljevine nastale kondenziranjem, nakon čega izlazi kroz gornji odvod kapljevina.
- Facade system FEAL 50FK is constructed in a way that the grooves on mullion and transom profiles are in different planes. Air enters through lower drainage and circulates through mullions and transoms from spandrel towards attic performing needed facade ventilation and dries possible liquids from condensation, afterwards air leaves through upper drainage.

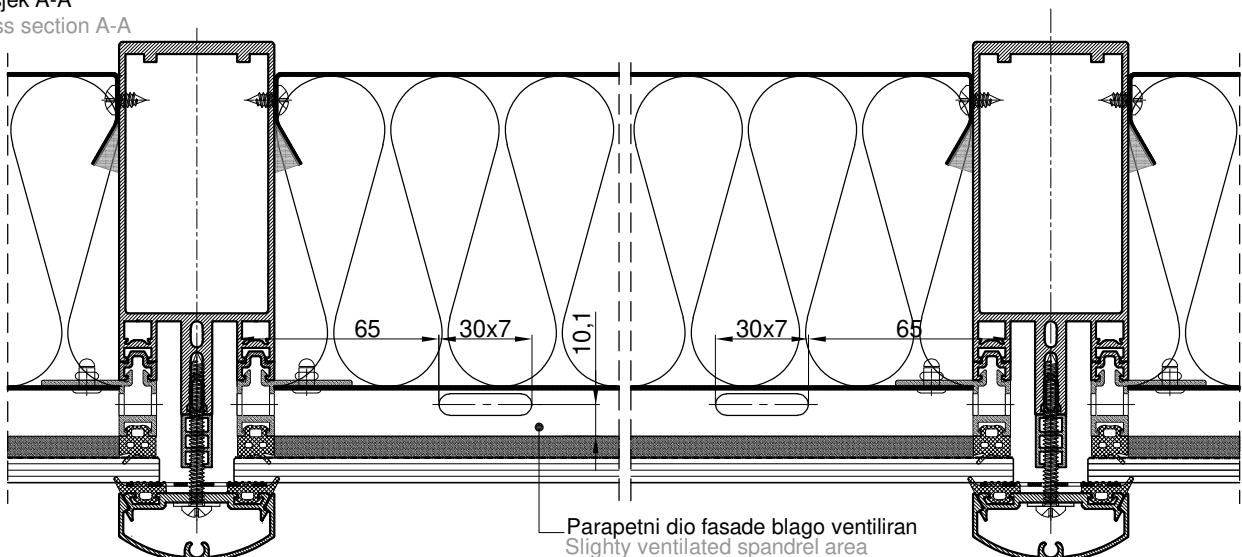
Ventiliranje parapetnog dijela fasade Ventilation of curtain wall spandrel



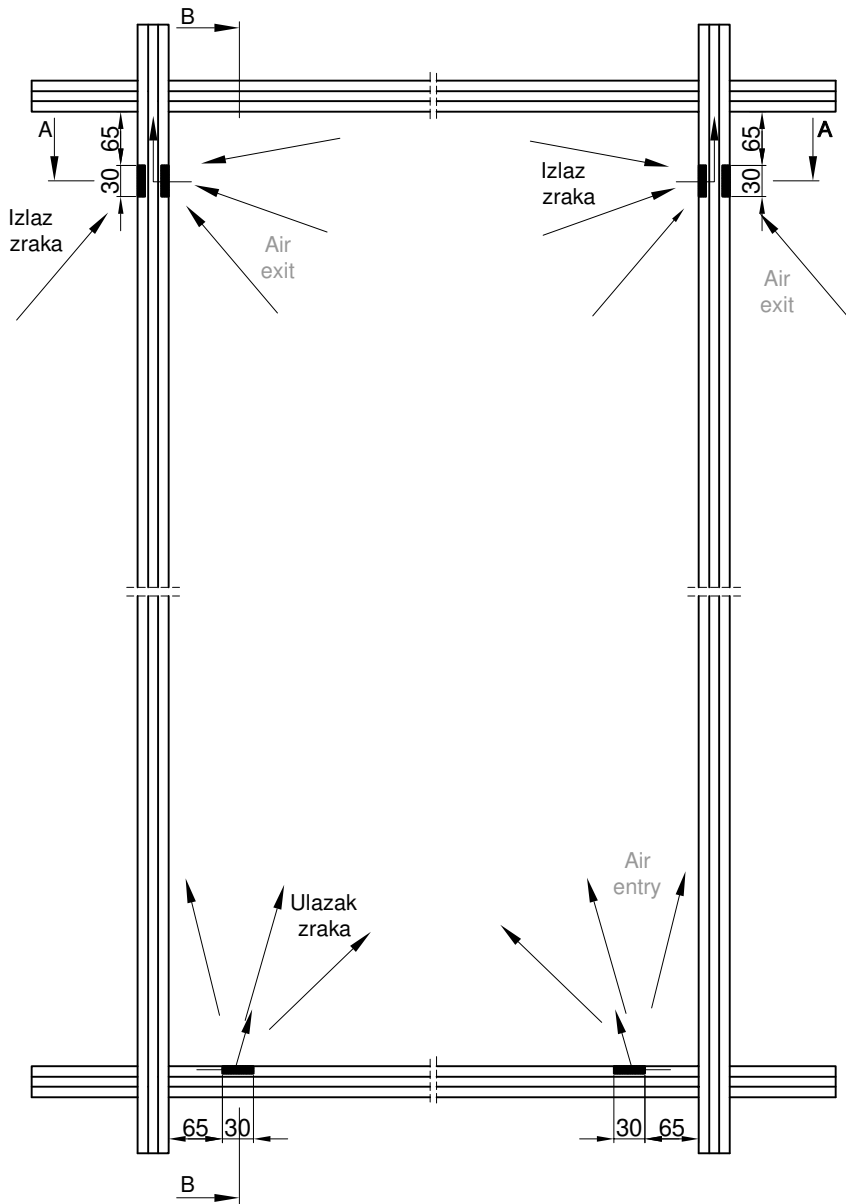
Presjek B-B
Cross section B-B



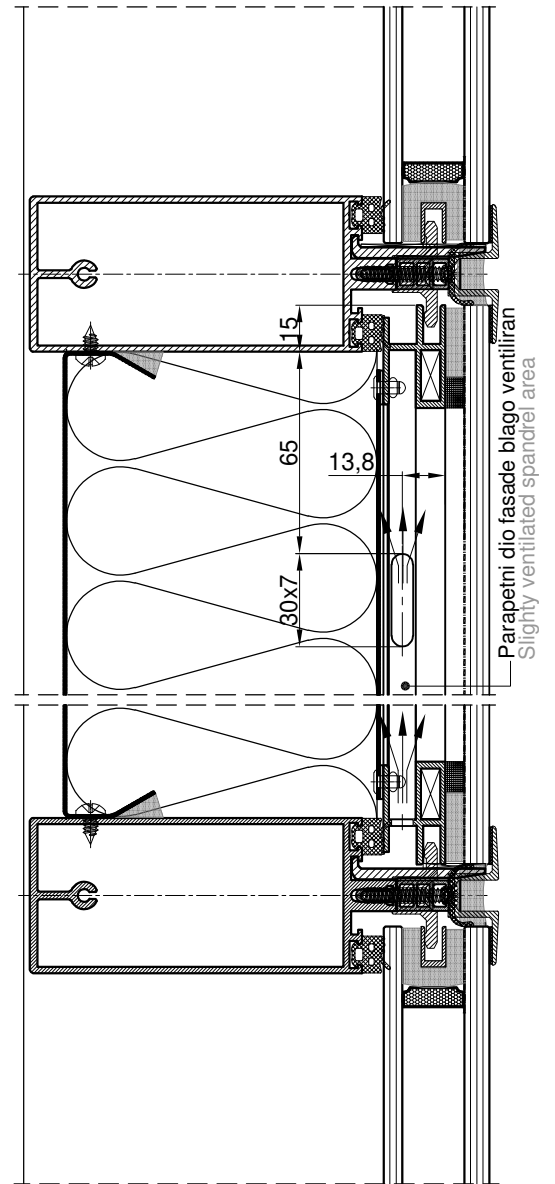
Presjek A-A
Cross section A-A



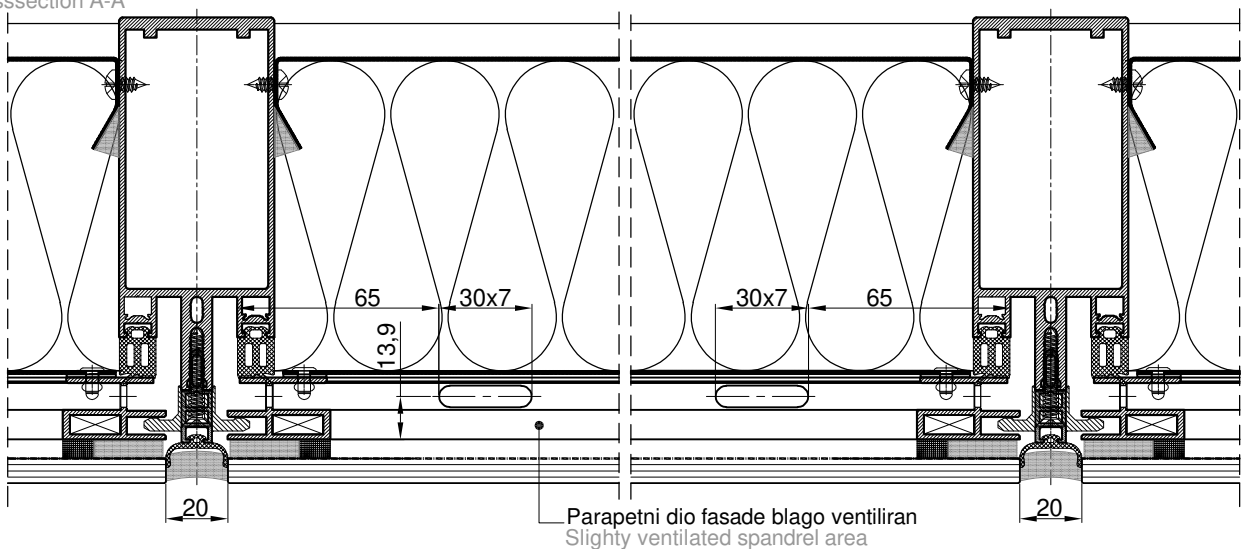
Ventiliranje parapetnog dijela fasade Ventilation of curtain wall spandrel

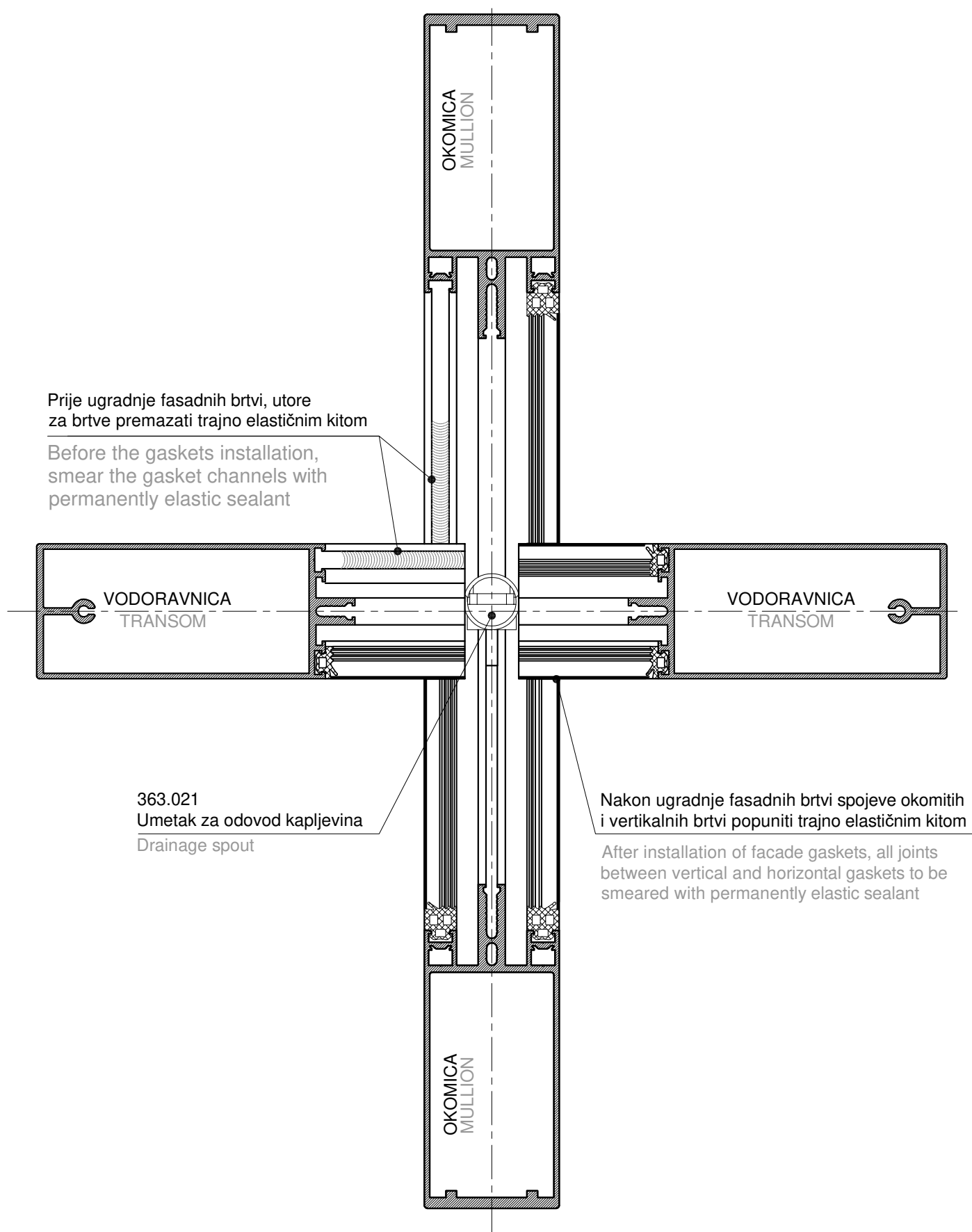


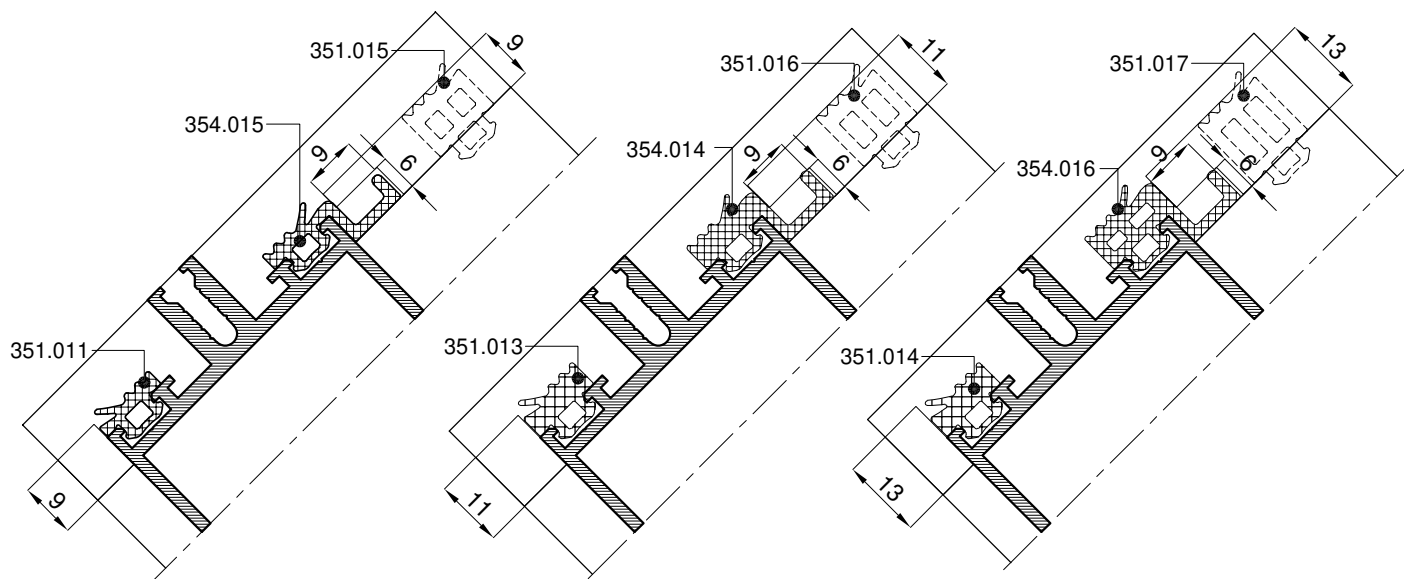
Presjek B-B
Cross section B-B



Presjek A-A
Crosssection A-A

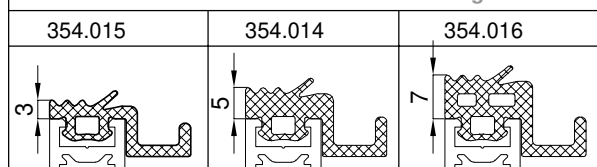






Brtve za odvod kondenzata

Gaskets for condensation drainage

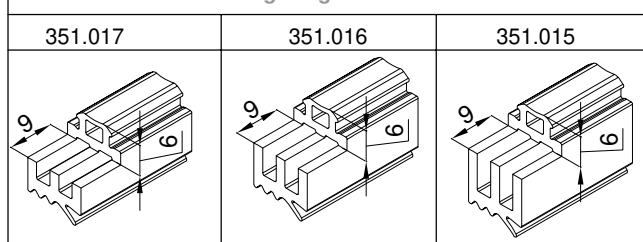


Brtvljenje Sealing

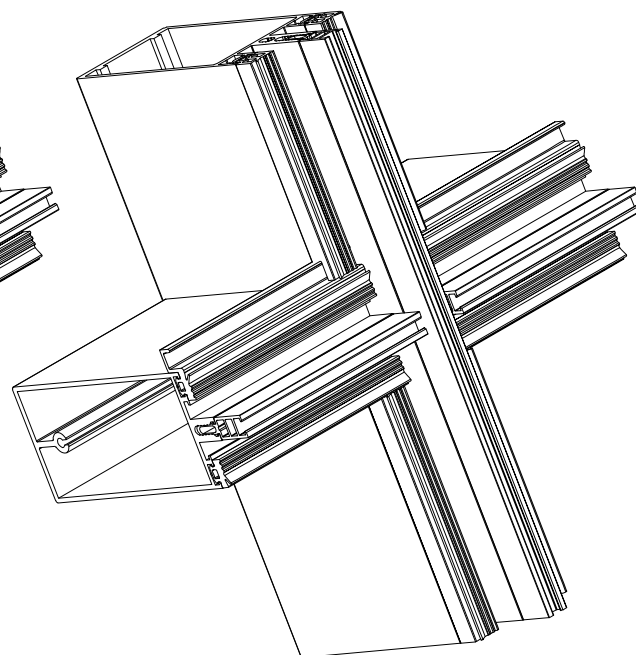
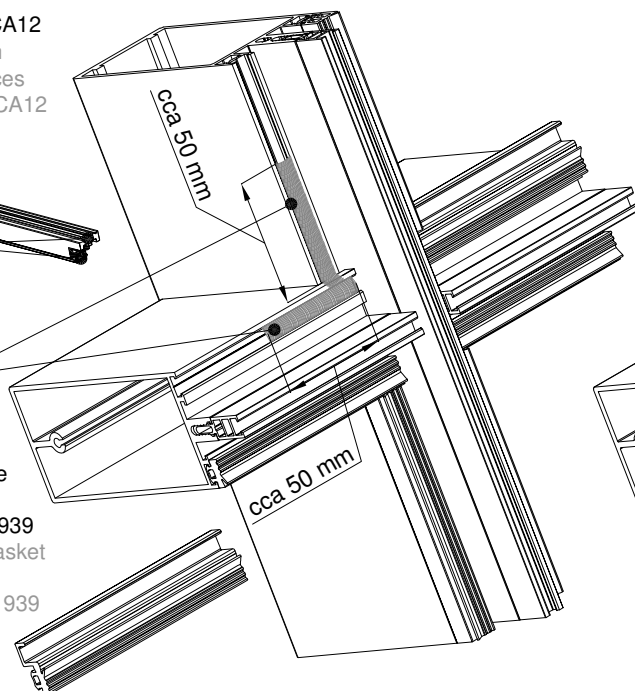
Dimenzija brtve na okomici/vodoravnici Gasket dimension on mullion/transom	Brtva na okomici Gasket on mullion	Brtva na vodoravnici Gasket on transom	Brtva na vodoravnici za odvod kondenzata Gasket on transom for condensation drainage
9 mm / 3 mm	351.015	351.011	354.015
11 mm / 5 mm	351.016	351.013	354.014
13 mm / 7 mm	351.017	351.014	354.016

Obrada za brtve na okomici

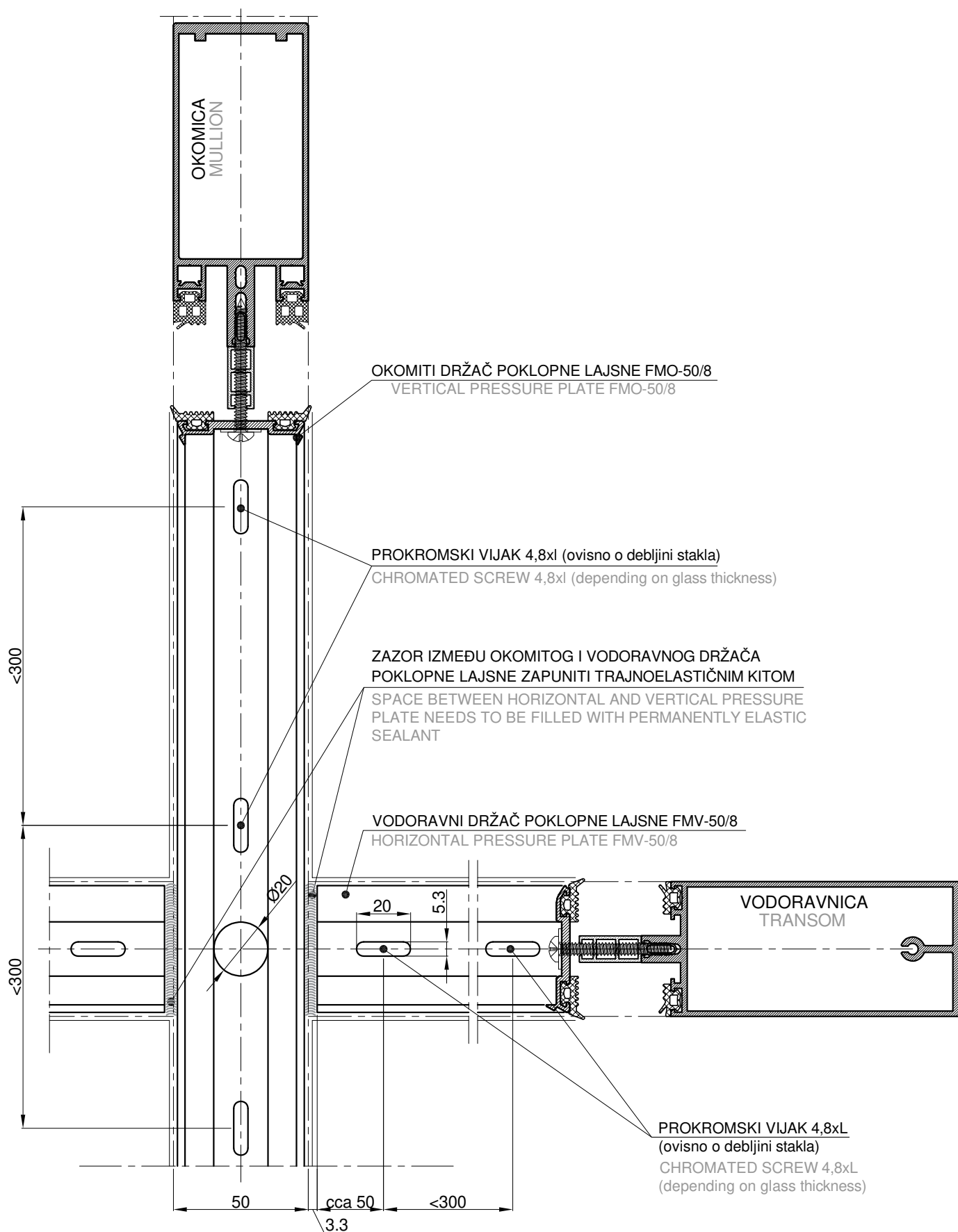
Processing for gaskets on mullion

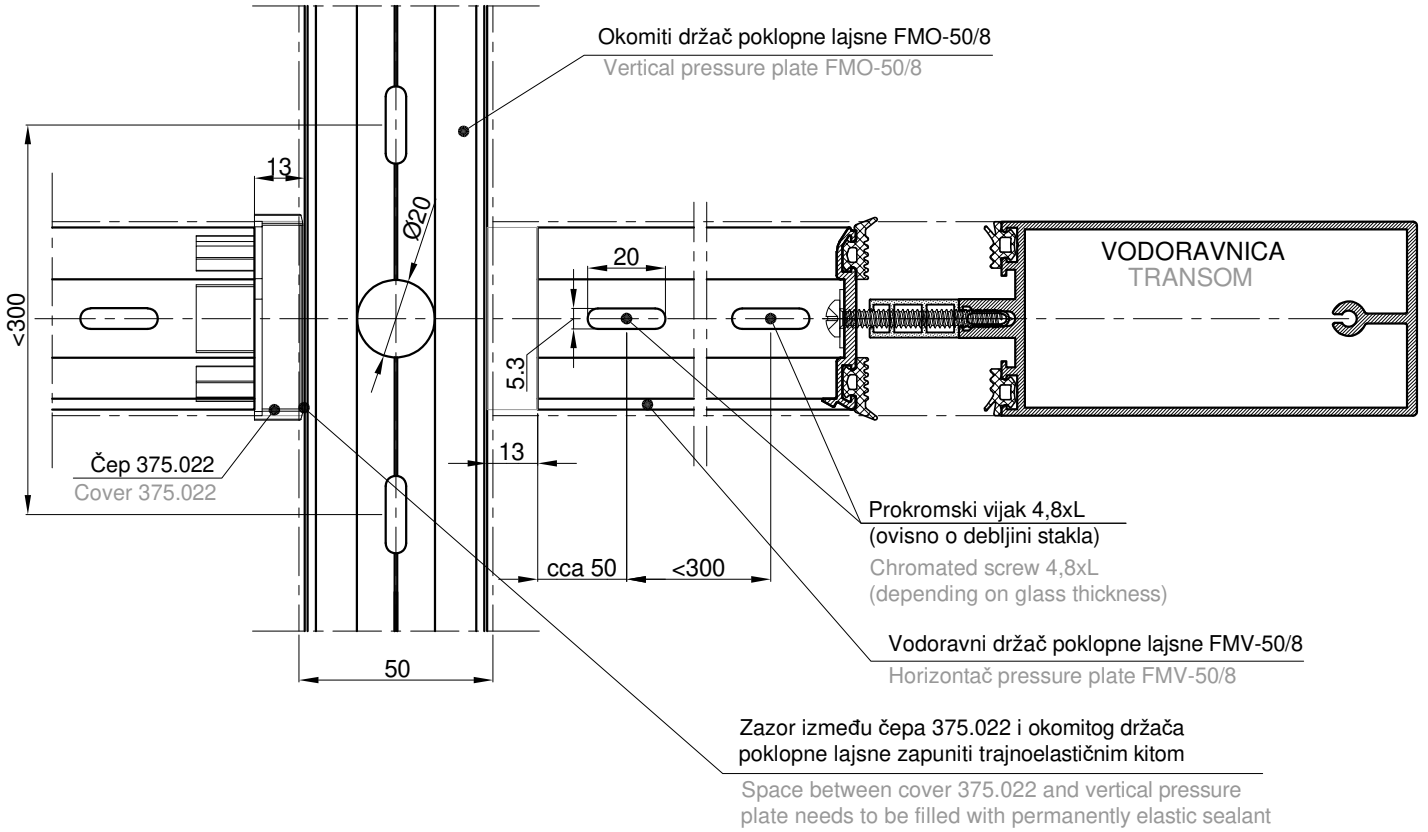


Ljepilo za gume na spojne površine
tipa:GU PLAST CA12
Gue for rubber on connection surfaces
type:GU PLAST CA12



Silikon ispod brtve
cca 50 mm
tipa:Teroson MS 939
Silicone under gasket
cca 50 mm
type:Teroson MS 939

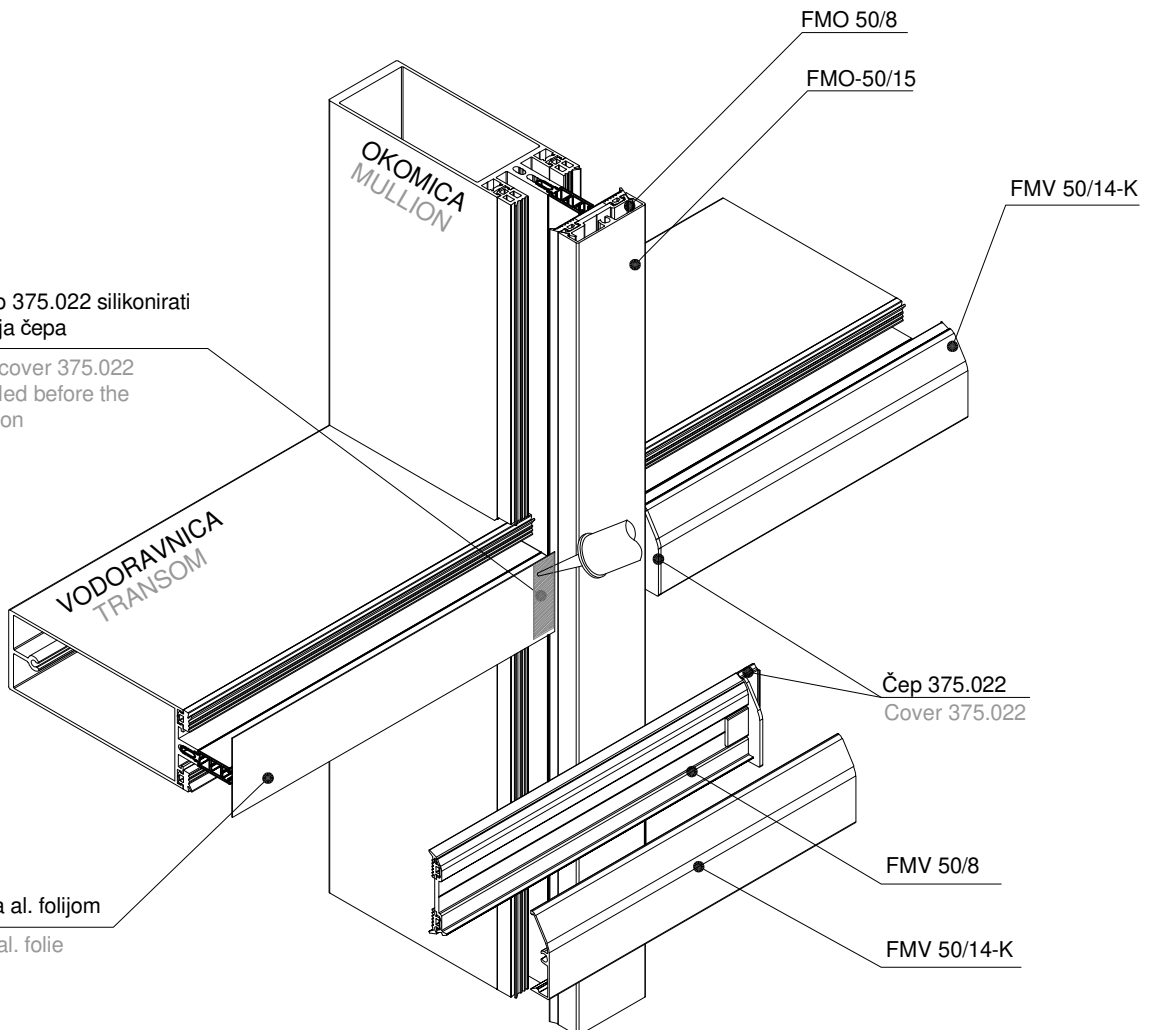


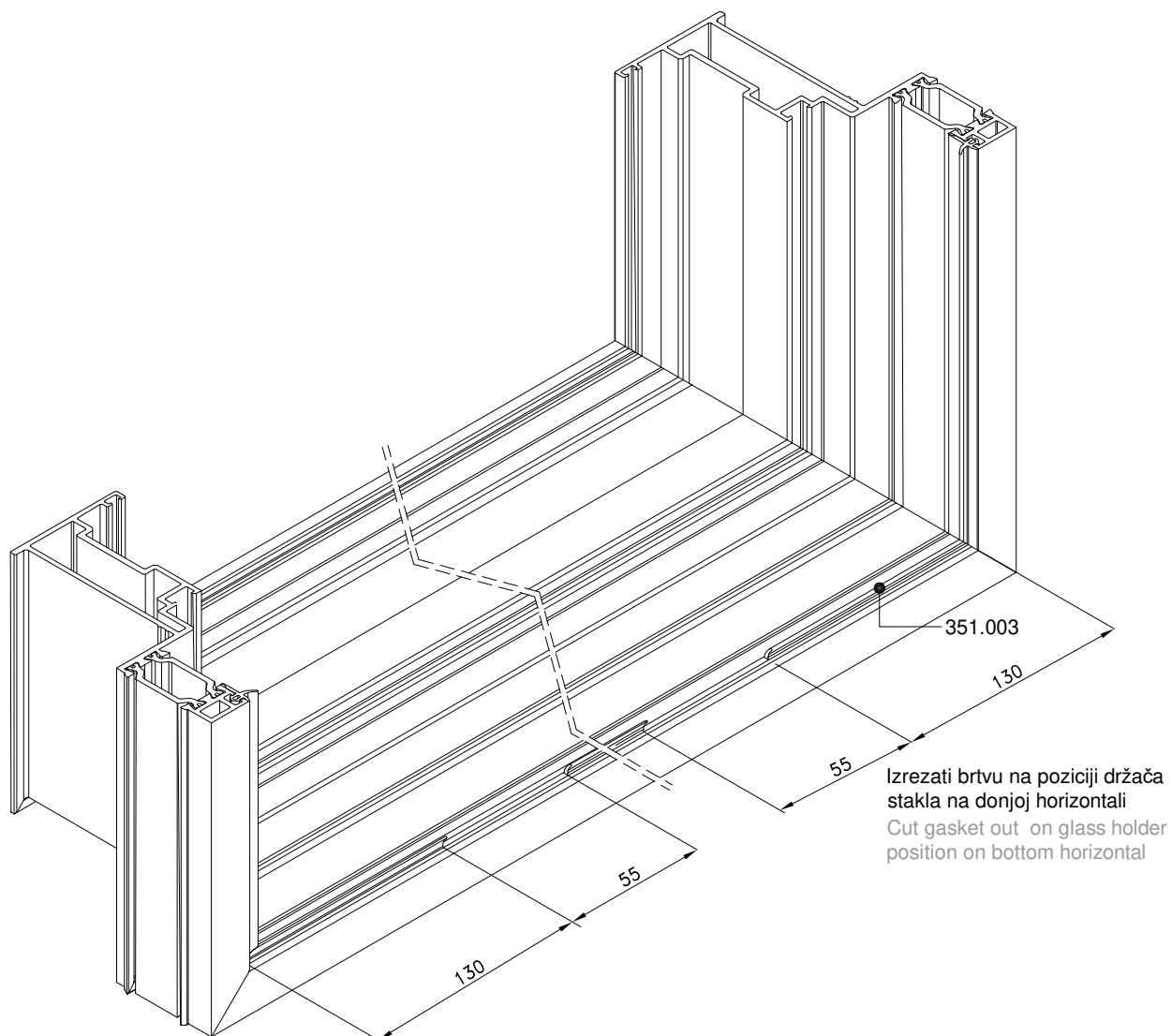
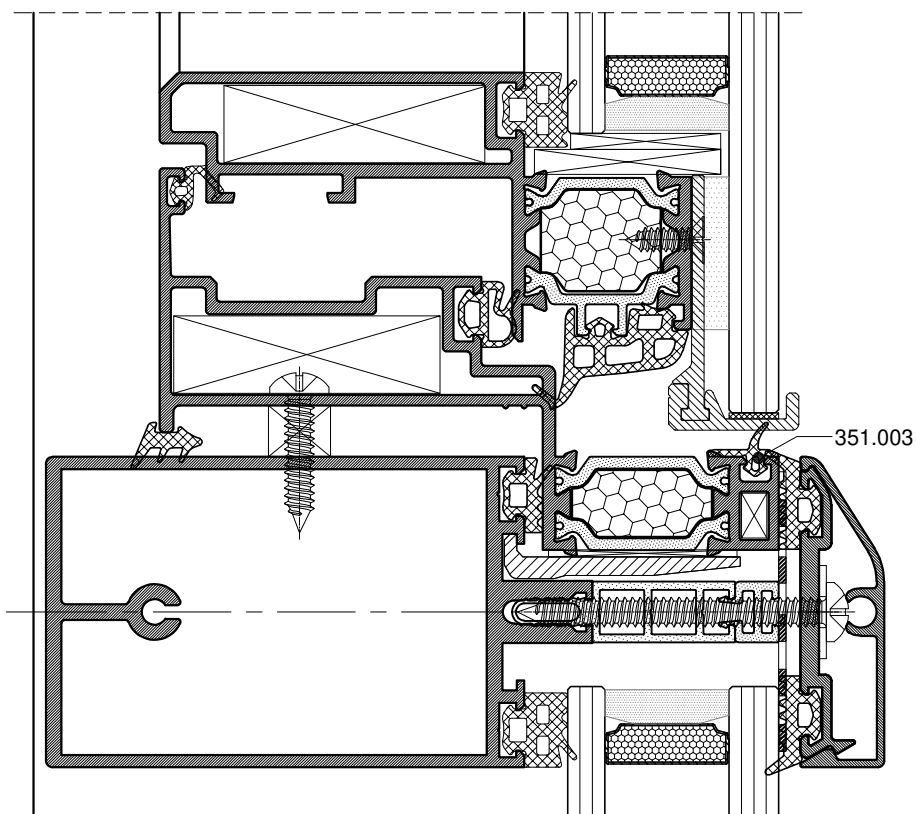


Prostor za čep 375.022 silikonirati prije montiranja čepa

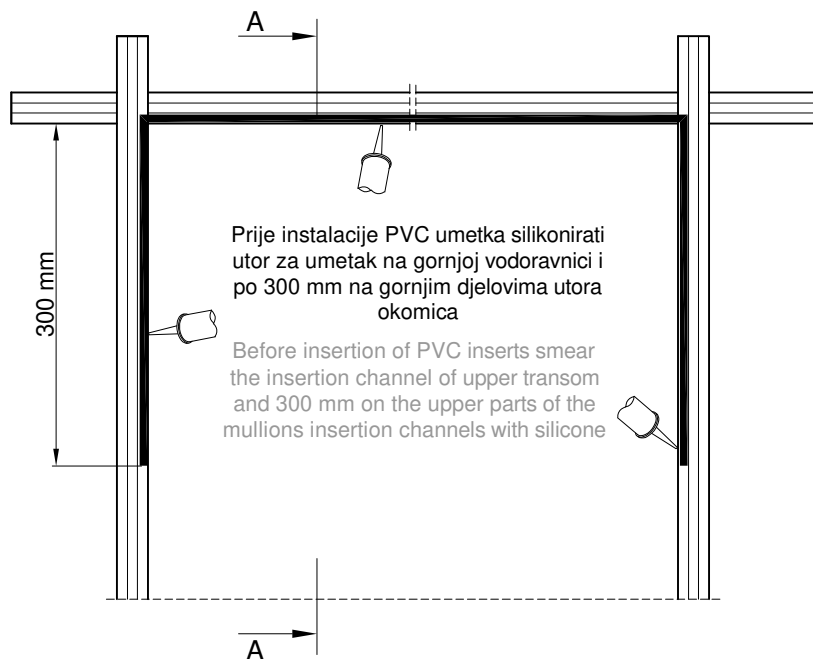
Space for the cover 375.022 needs to be filled before the cover installation

Butilna traka sa al. folijom
Butil strip with al. folie

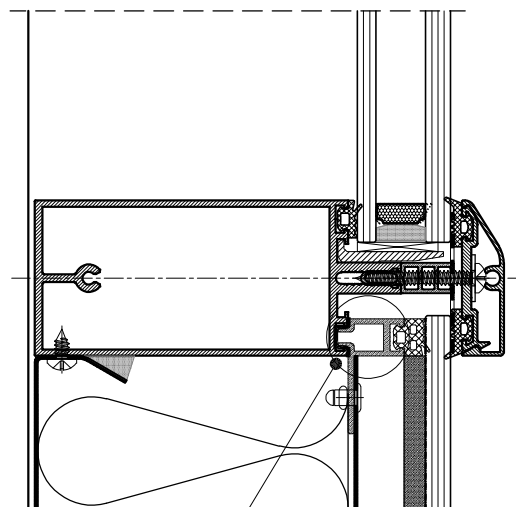




PVC umetak za parapetni dio fasade PVC insert for curtain wall spandrel

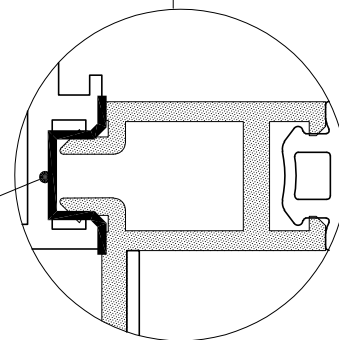


Presjek A-A
Cross section A-A



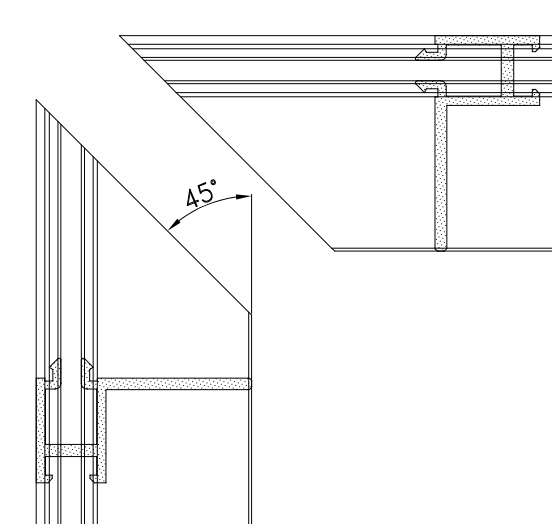
Silikonirani spoj aluminija i PVC umetka 374.010 ili 374.011 na parapetnom djelu fasade

Siliconized joint of inserts 374.010 or 374.011 and aluminum on the curtain wall spandrel



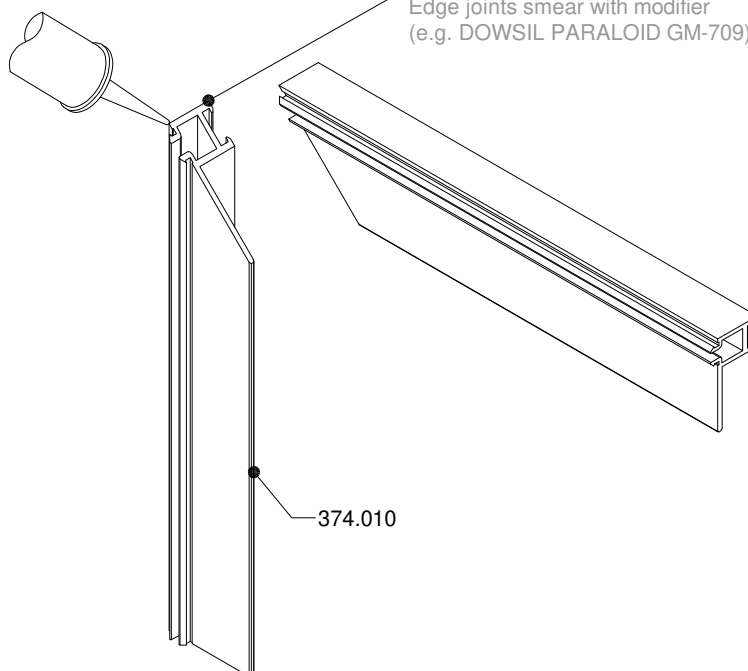
Spajanje PVC umetaka Connection of PVC inserts

PVC umetke spajati pod kutom od 45°
Connect PVC inserts under the edge of 45°

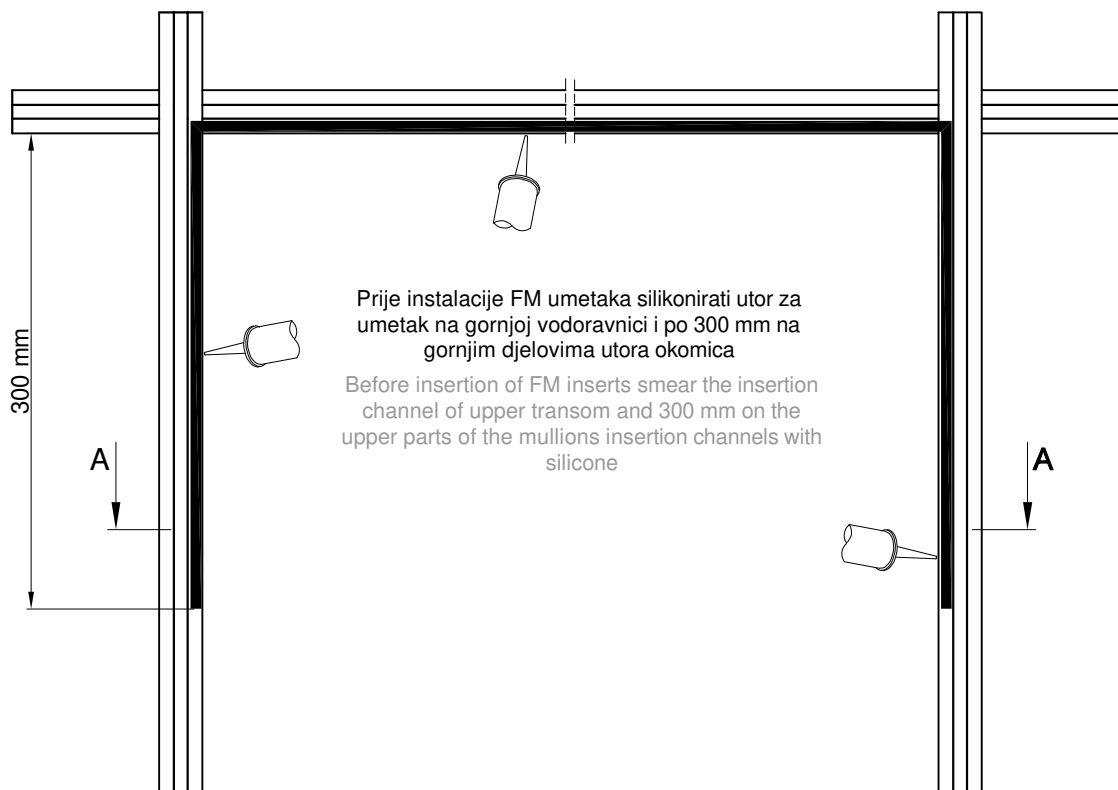


M 2:1

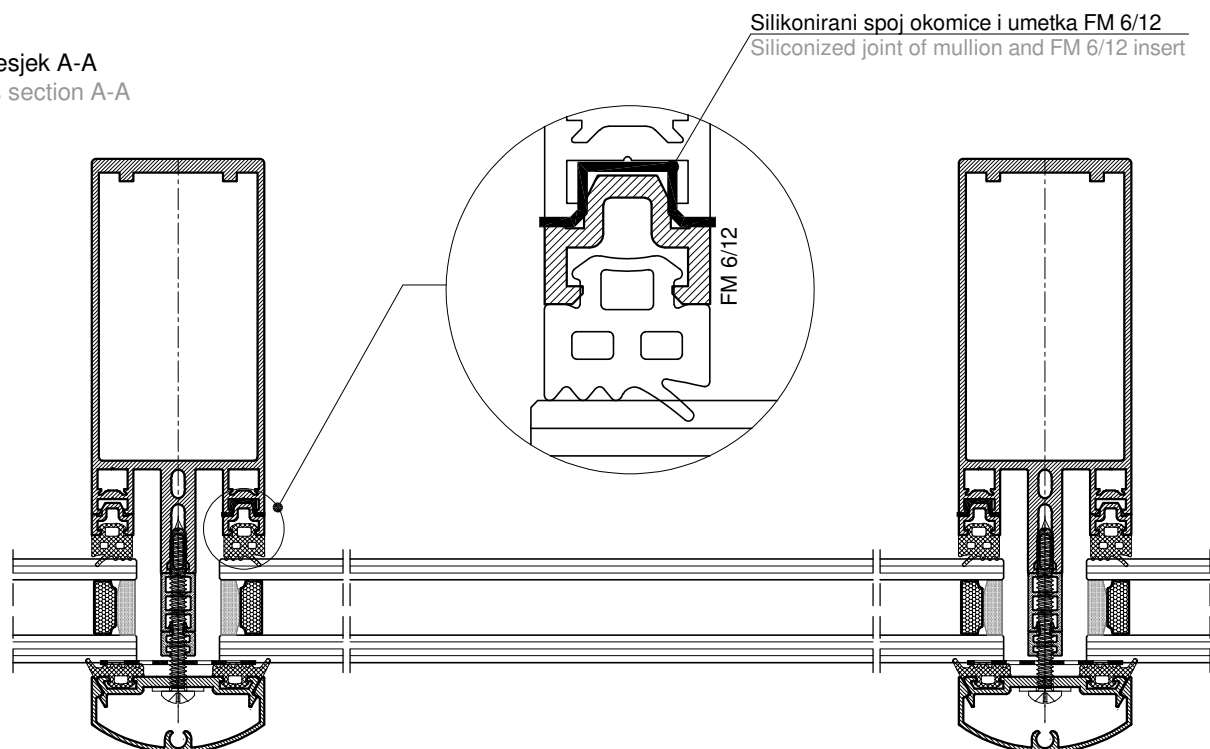
Rubne djelove spoja zalijepiti
(npr. DOWSIL PARALOID GM-709)
Edge joints smear with modifier
(e.g. DOWSIL PARALOID GM-709)



Montaža FM umetaka FM inserts installation



Presjek A-A
Cross section A-A



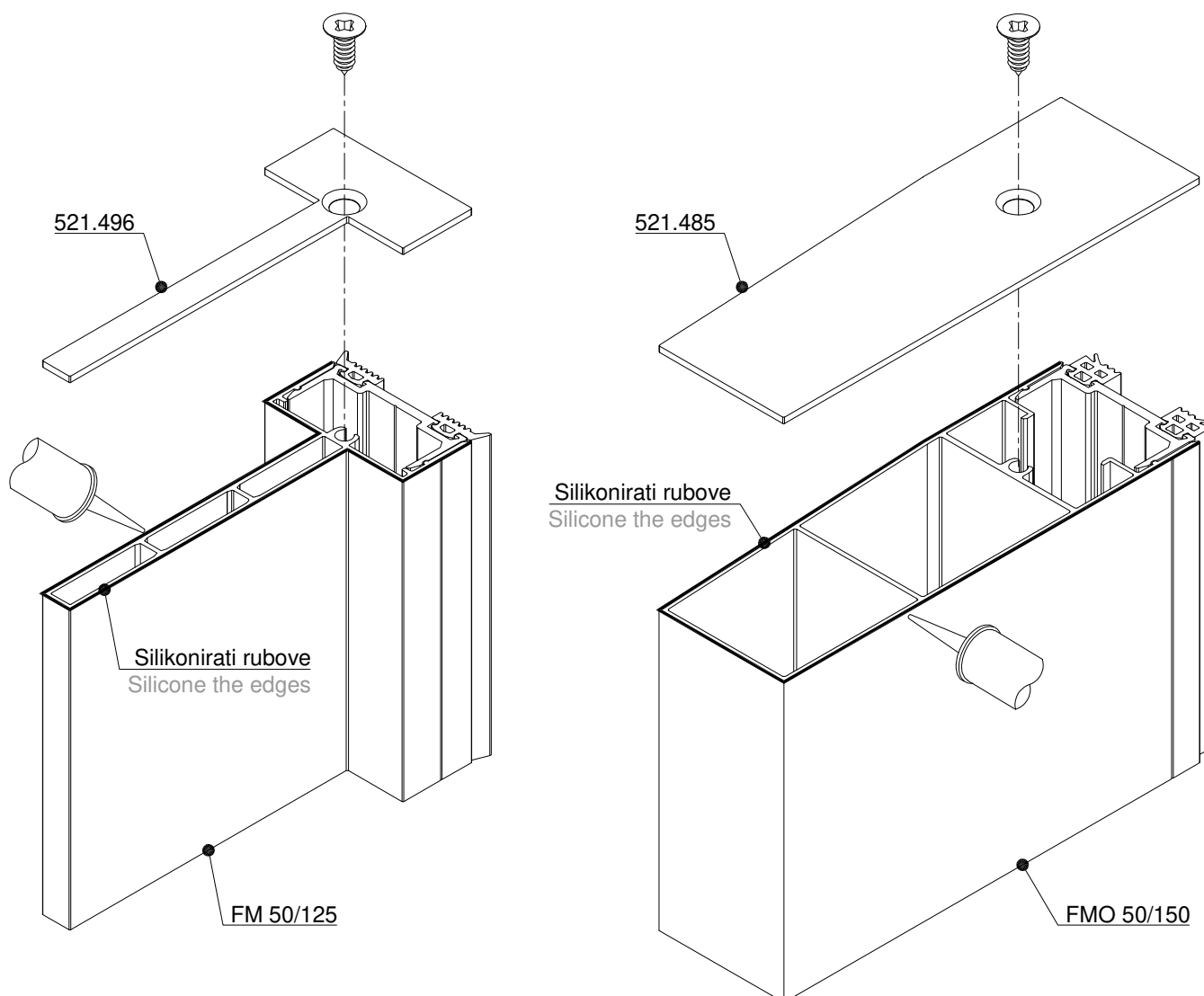
Navedeni FM umeci podrazumjevaju sljedeće profile: FM 30/12, FM 24/12, FM 18/12, FM 12/12 i FM 6/12.
Mentioned FM inserts refer to the following profiles: FM 30/12, FM 24/12, FM 18/12, FM 12/12 i FM 6/12.

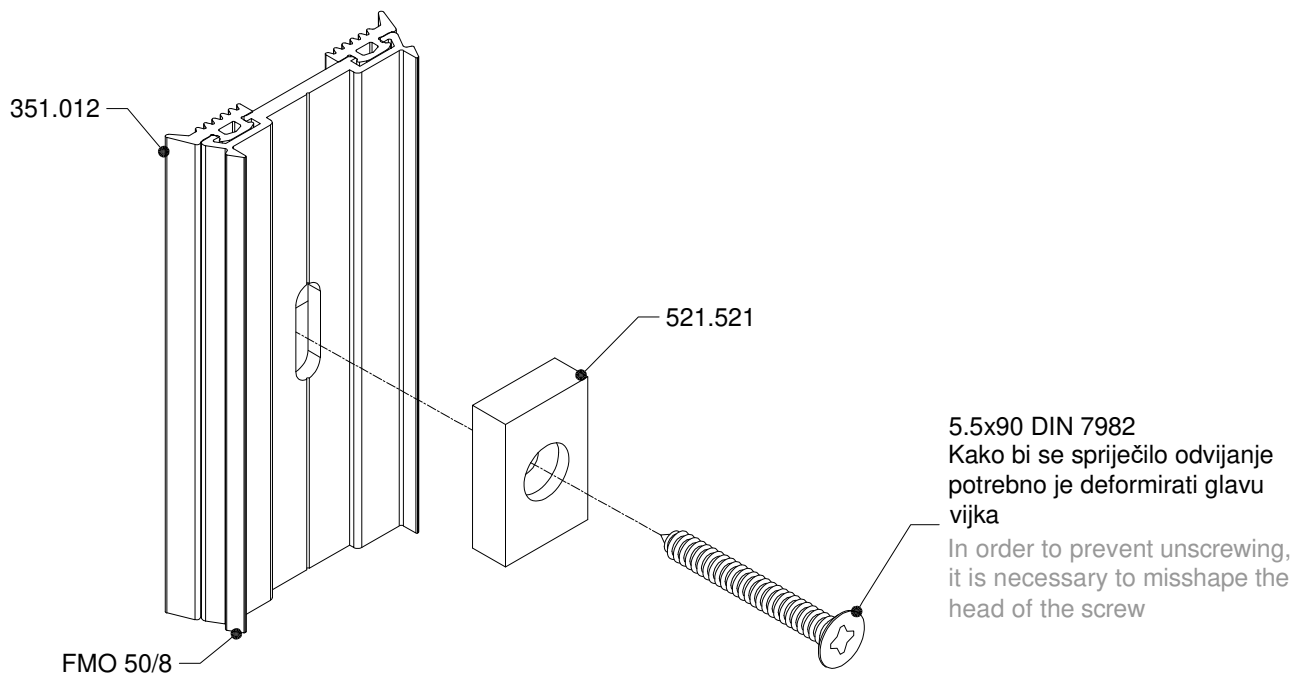
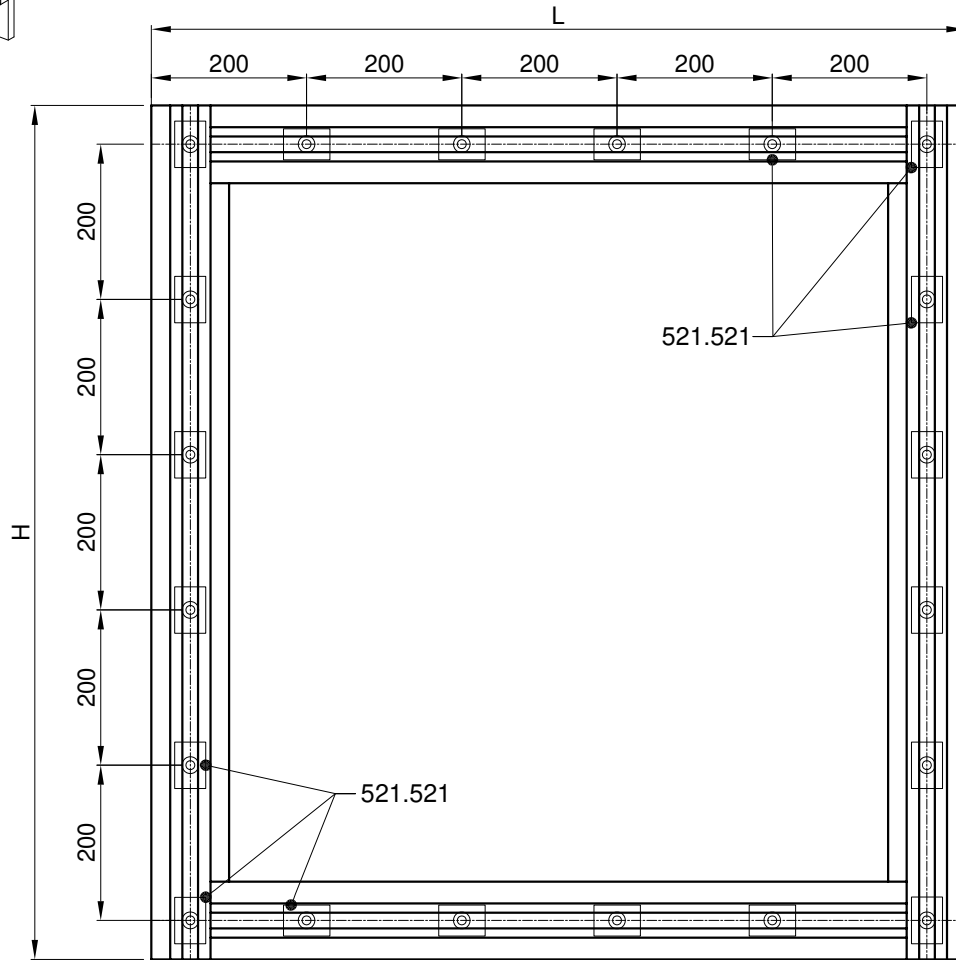
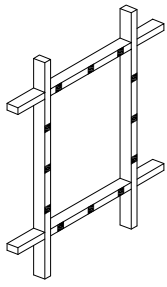
Umetke spajati pod kutom od 90°.
Connect inserts under the angle of 90°.

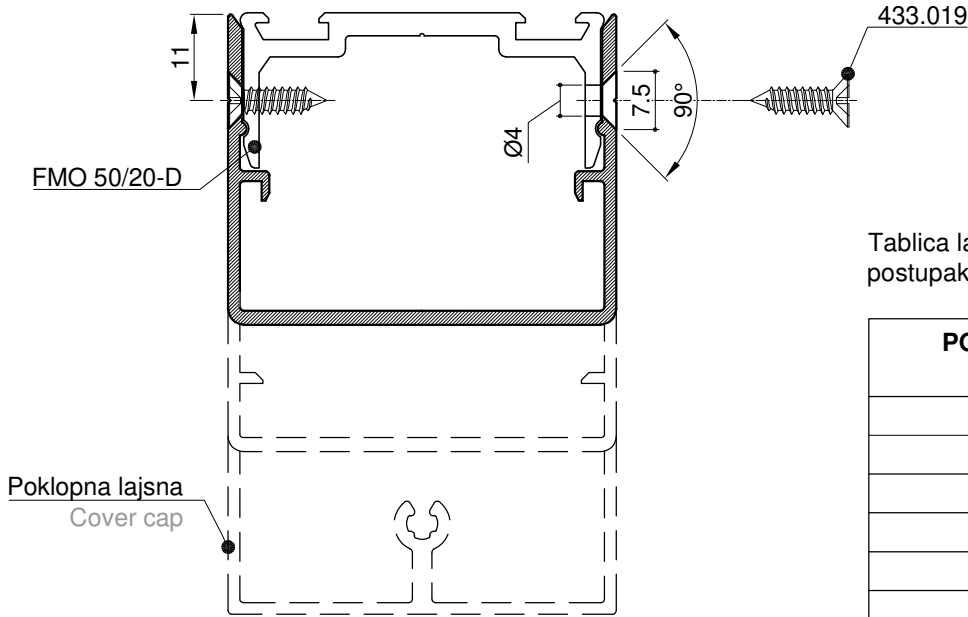
POKLOPNA LAJSNA COVER CAP	KOD ČEPA COVER CODE	TIP SPOJA CONNECTION TYPE
FMV 50/14	521.497	Vijčano Screw
FMV 50/14-K	375.022	Utiskivanje Insert
FMO 50/15	521.497	Vijčano Screw
FMO 50/22	375.007	Utiskivanje Insert
FM 50/23	521.498	Vijčano Screw
FMO 50/25	521.497	Vijčano Screw
FMO 50/30	375.008	Utiskivanje Insert
FMO 50/40	521.493	Utiskivanje Insert
FMO 50/60	375.009	Utiskivanje Insert
FMO 50/61	521.491	Utiskivanje Insert
FMO 50/80	521.494	Utiskivanje Insert
FM 50/120	521.432	Vijčano Screw
FM 50/125	521.496*	Vijčano* Screw*
FMO 50/150	521.485*	Vijčano* Screw*
FPL 50/200	521.368	Vijčano Screw

* Pri ugradnji čepova 521.496 i 521.485 potrebno je silikonirati rubove poklopnih lajsni (npr. Teroson MS 660)

* It's necessary to silicone cover caps edges when connecting covers 521.496 and 521.485 (e.g. Teroson MS 660)

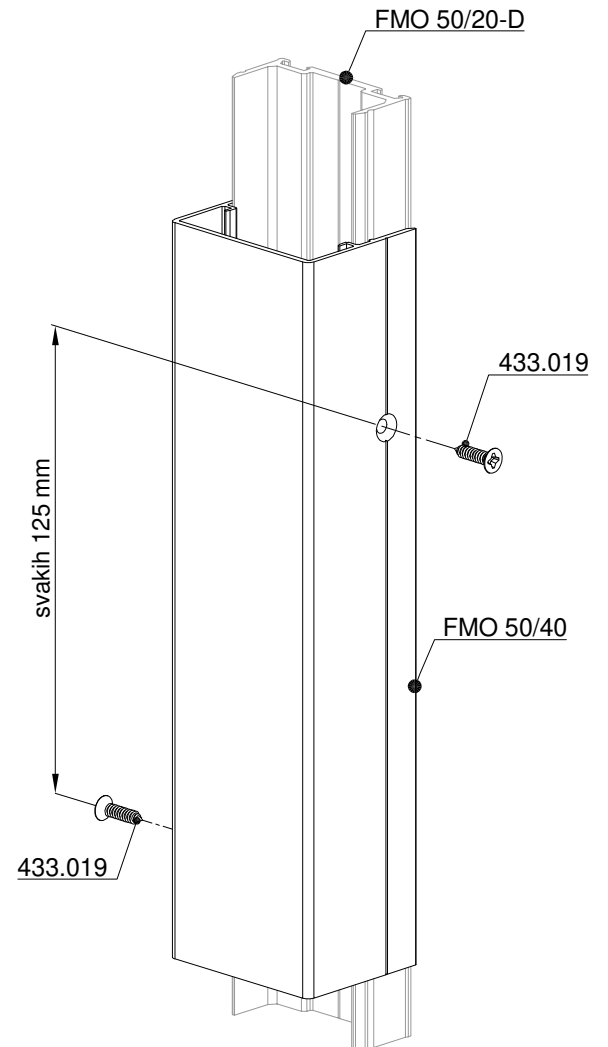
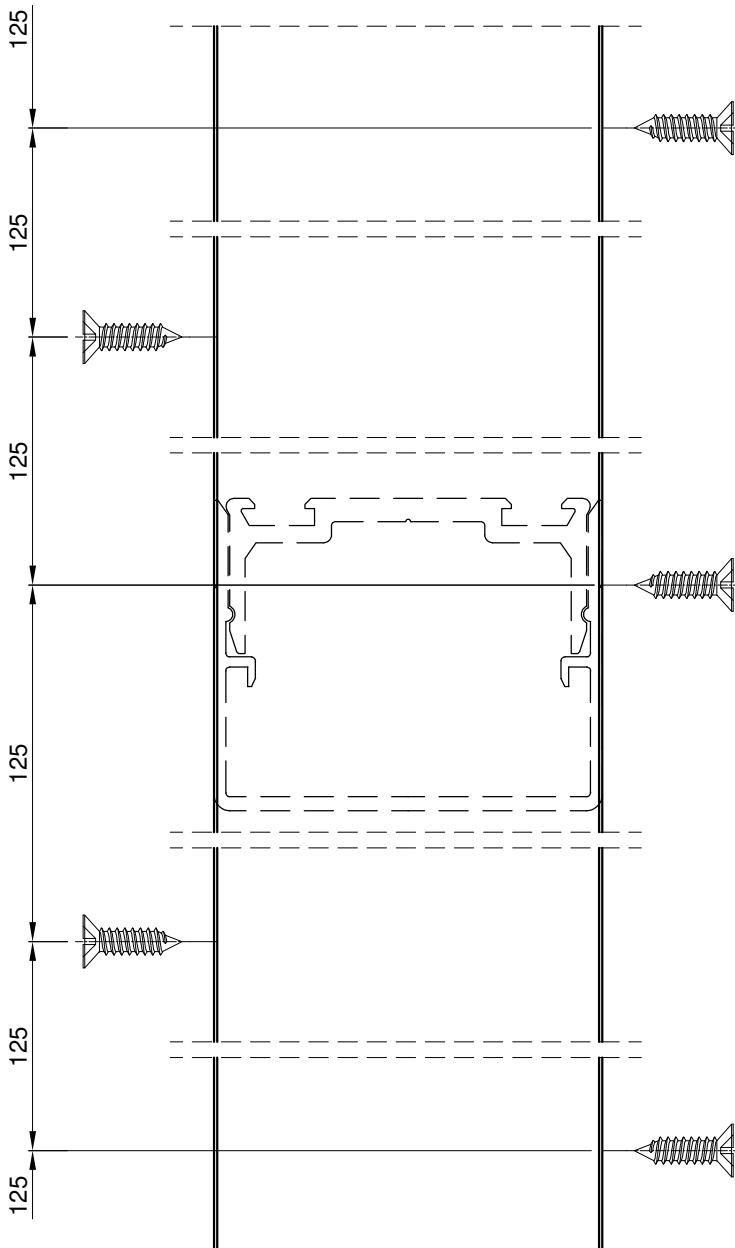


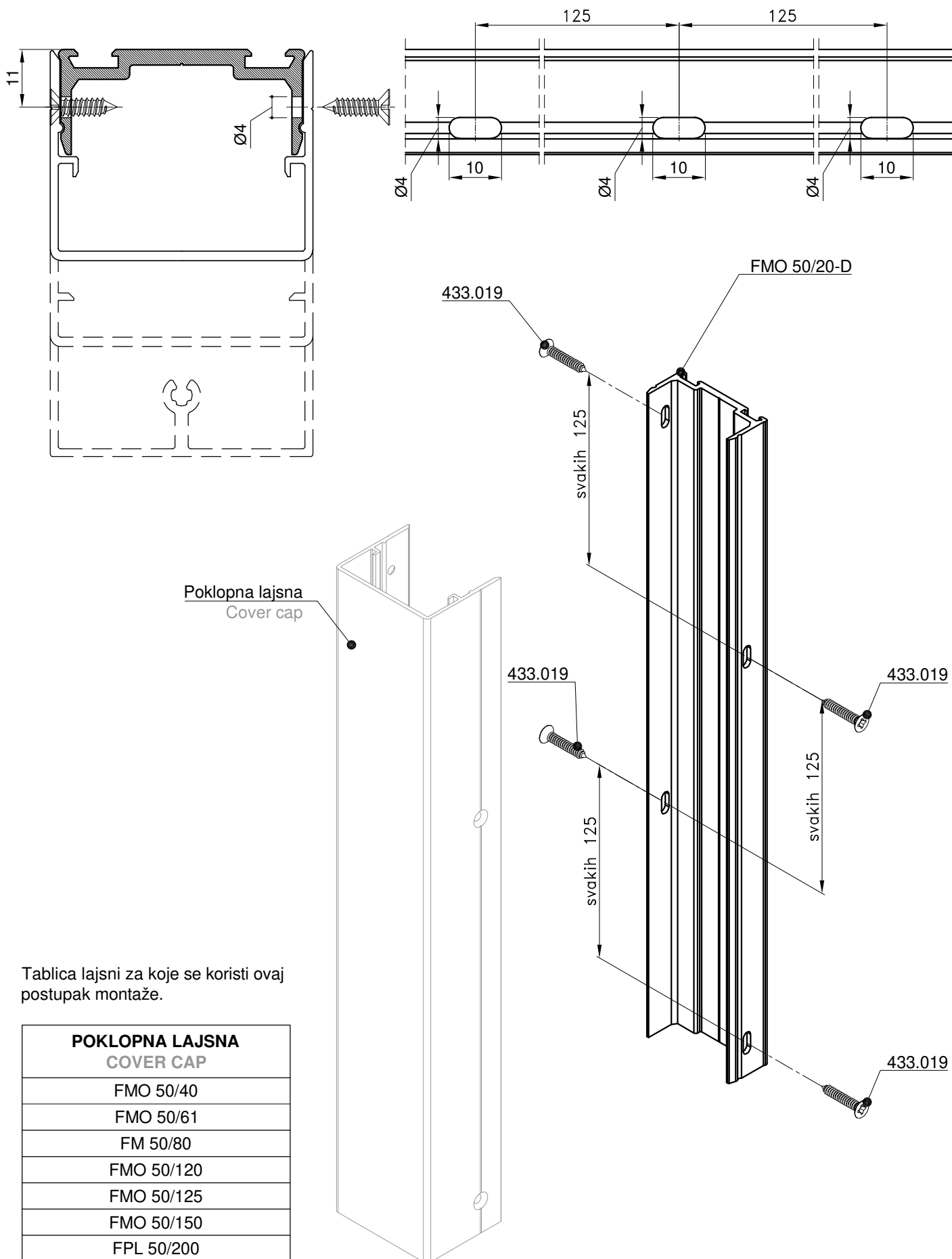


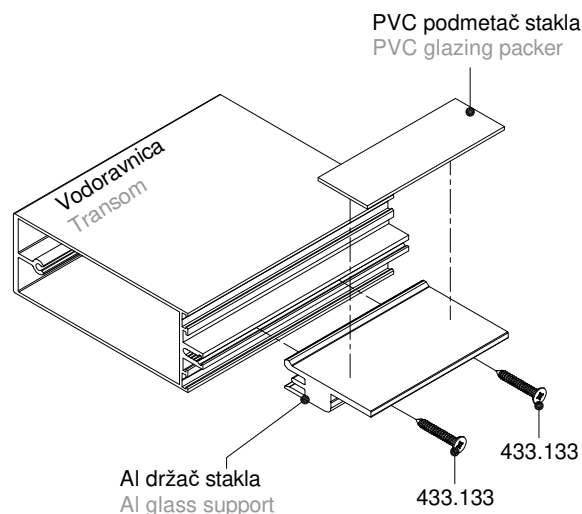
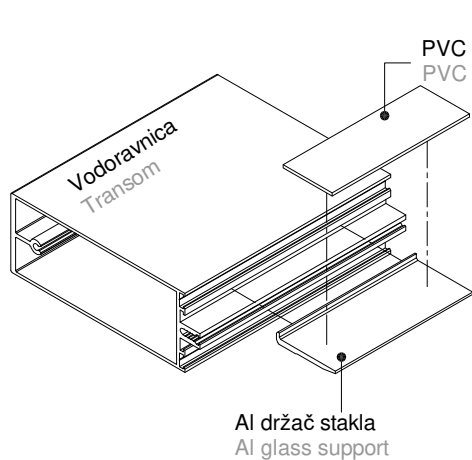
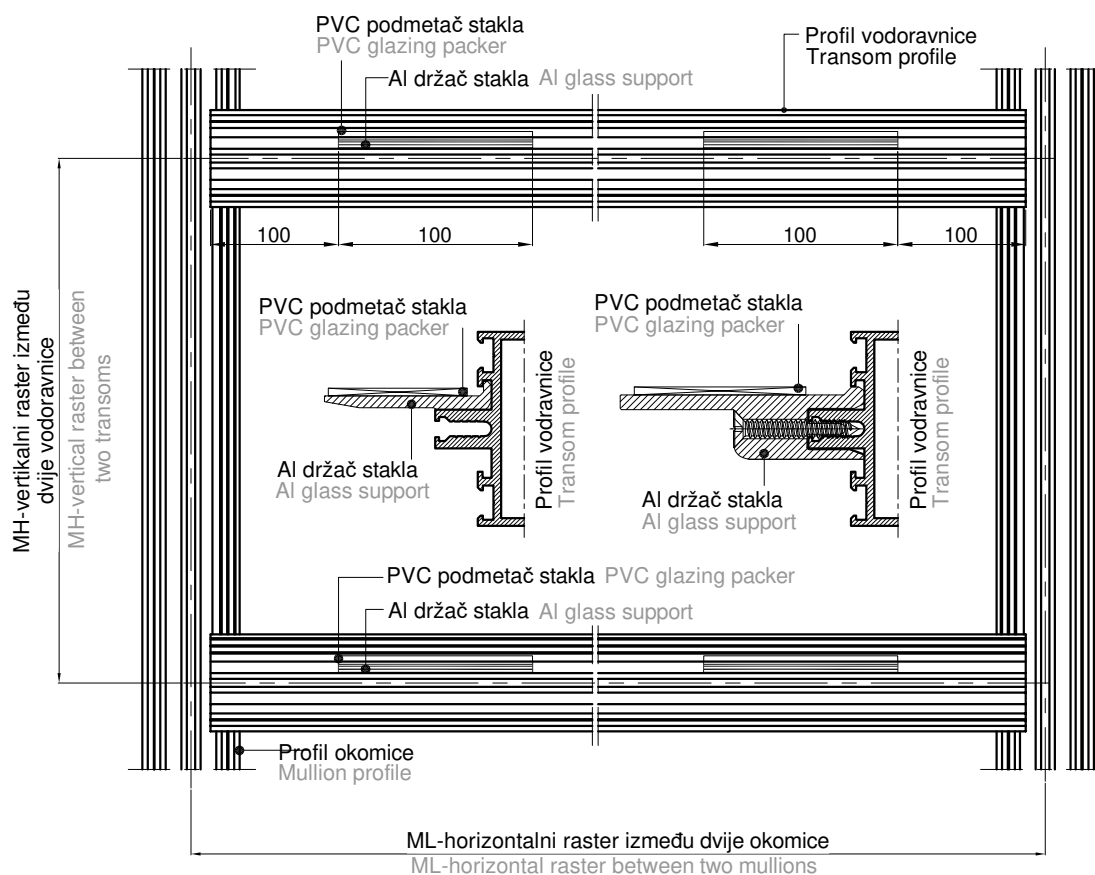


Tablica lajsni za koje se koristi ovaj postupak montaže.

POKLOPNA LAJSNA COVER CAP
FMO 50/40
FMO 50/61
FM 50/80
FMO 50/120
FMO 50/125
FMO 50/150
FPL 50/200

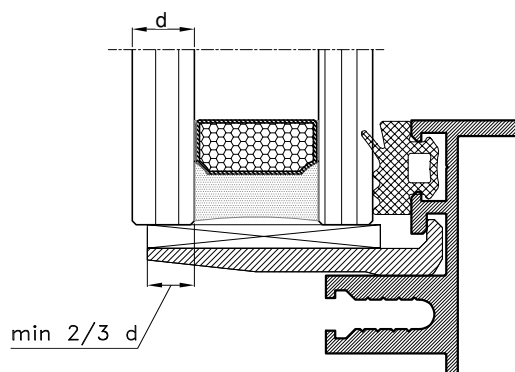






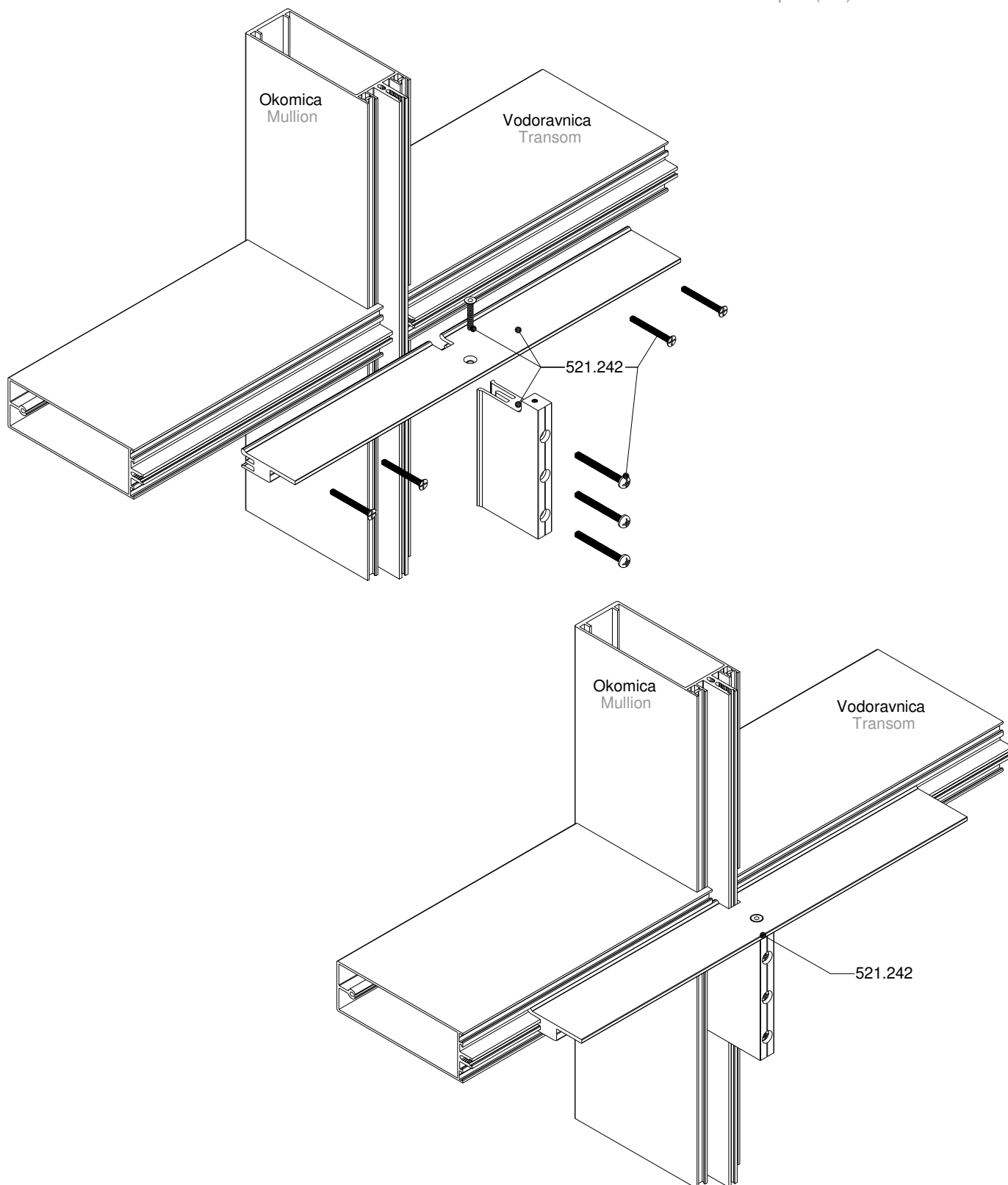
Nosivosti držača stakla (po paru):
 Load capacity of glass support (per pair):

Kod Code	Dimen. Dimen.	Nosiv. Load
521.005	27/7	250kg
521.067	34/7	248kg
521.122	52/7	192kg
521.066	43/7	165 kg
521.127	48/7	162kg
521.014	38/7	150kg
521.064	54/7	305 kg
521.234	63/7	400 kg
521.331	44/7	450 kg
521.242	63/7	700 kg

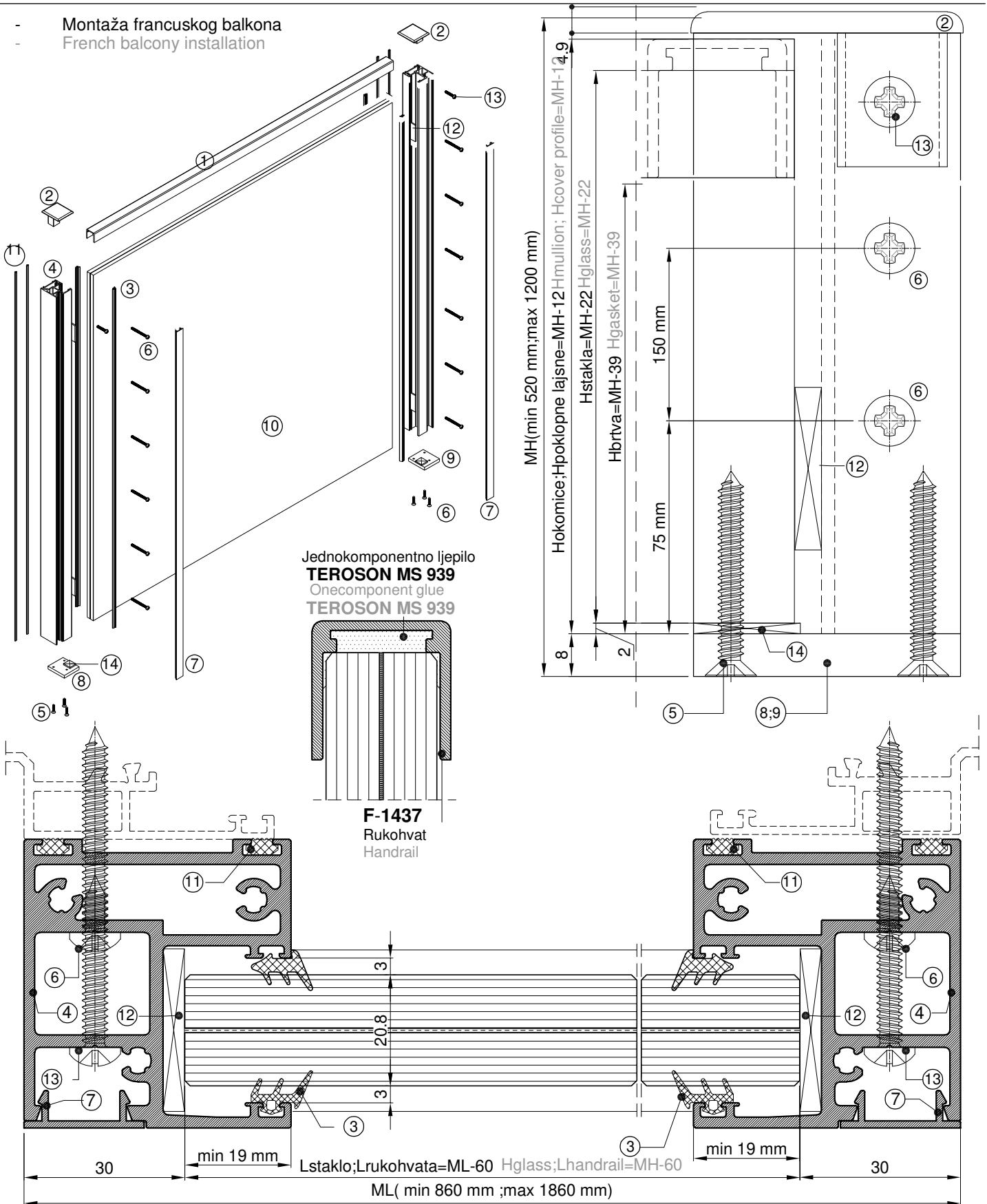


- Dvostrani nosač stakla za veća opterećenja s potpornjom na okomici
- Doublesided glass support for greater loads with a supprot on mullion

Najveće dopušteno opterećenje	700 kg
Najveći dopušten raspon (ML)	2 m
Maximum allowed load	700 kg
Maximum allowed span (ML)	2 m



- Montaža francuskog balkona
- French balcony installation

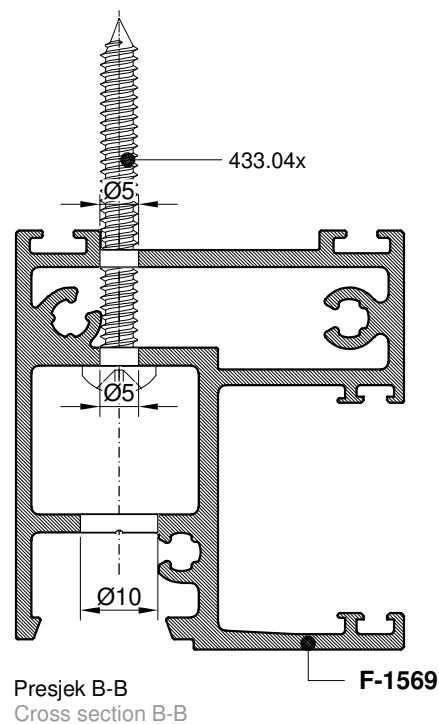
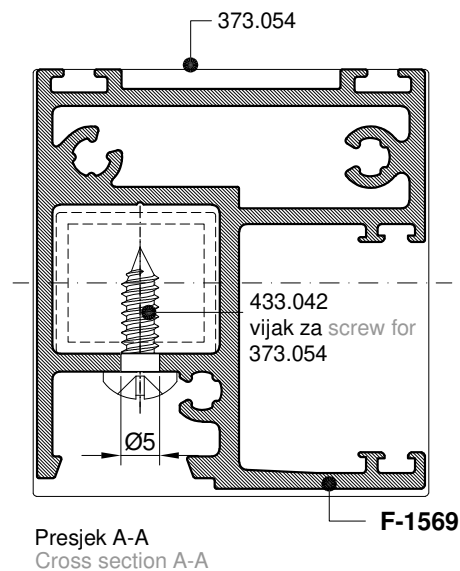
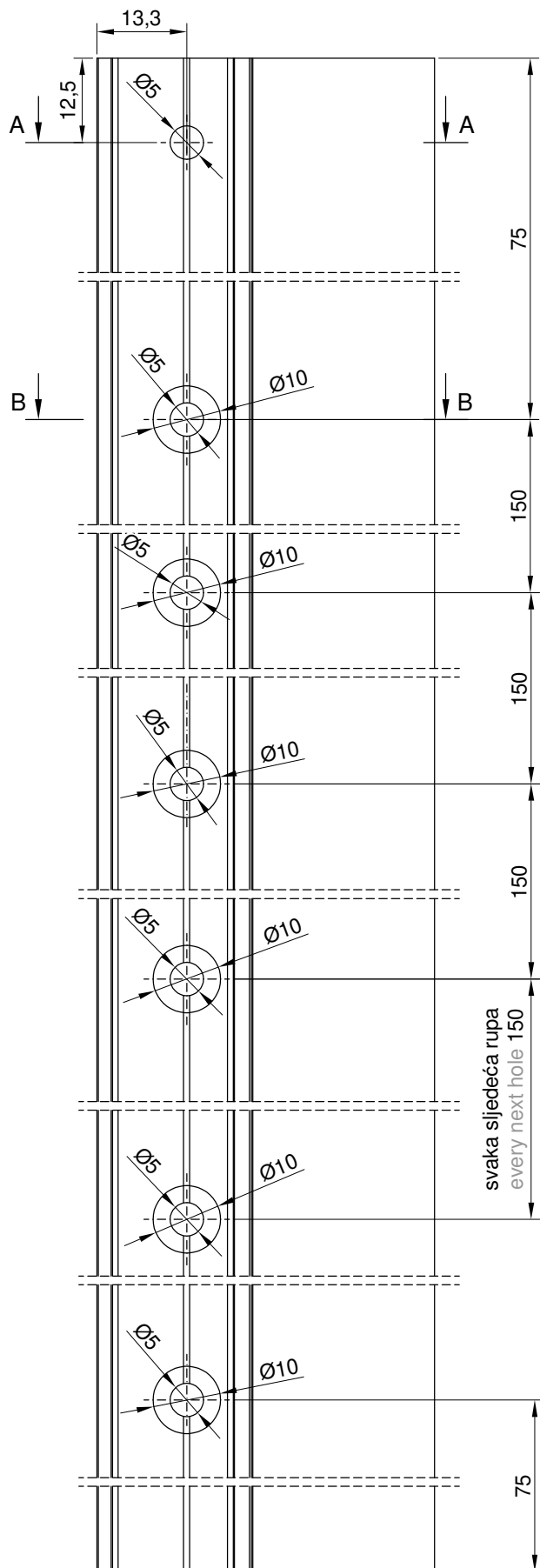


- 1 - profil rukohvata F-1437
- 1 - handrail profile F-1437
- 2 - PVC čep 373.054
- 2 - PVC cover cap 373.054
- 3 - brtva 321.002
- 3 - gasket 311.002
- 4 - profil okomice F-1569
- 4 - french balcony profile F-1569

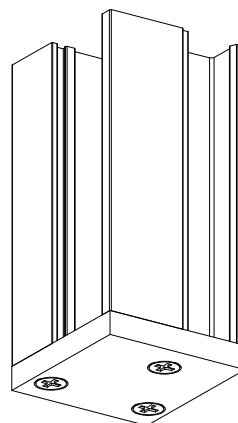
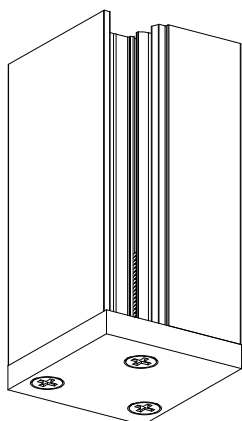
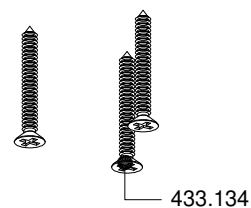
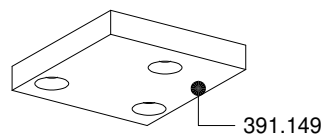
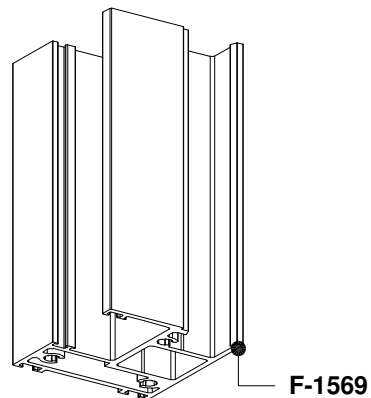
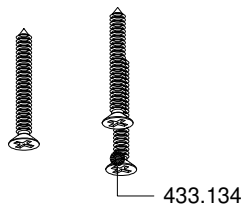
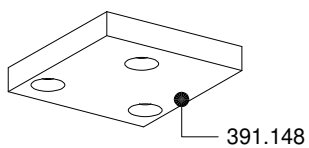
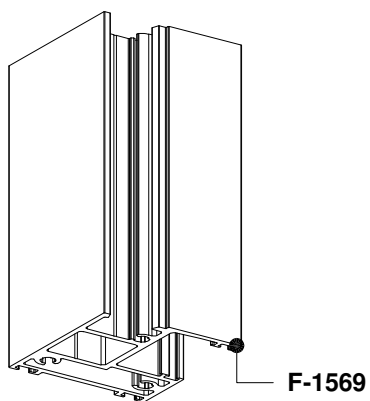
- 5 - 433.134 (6 komada)
- 5 - 433.134 (6 pieces)
- 6 - 433.04x
- 6 - 433.04x
- 7 - poklopna lajsna F-0826
- 7 - cover profile F-0826
- 8 - nosiva pločica lijeva 391.148
- 8 - glass support left 391.148

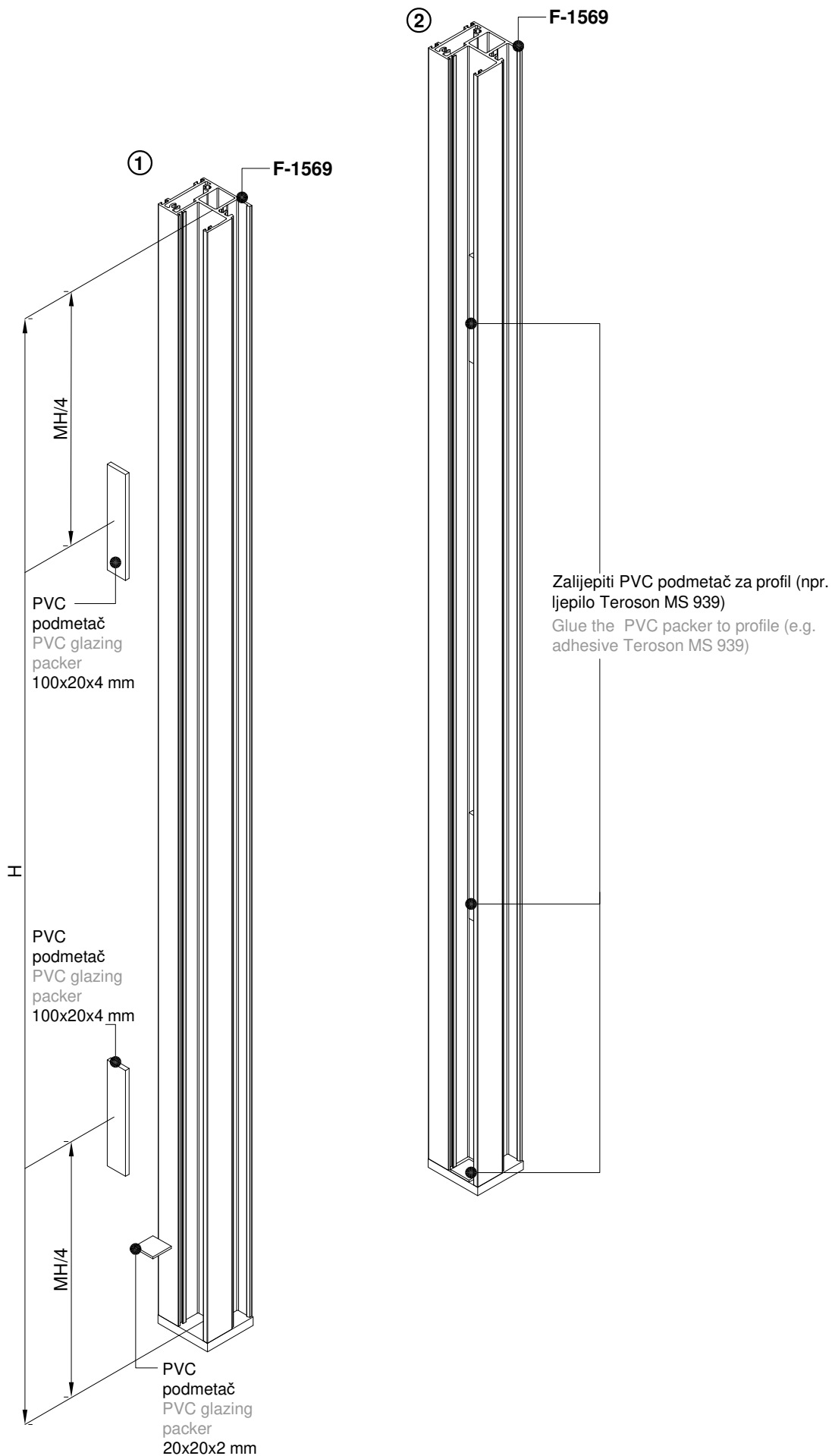
- 9 - nosiva pločica desna 391.149
- 9 - glass support right 391.149
- 10 - staklo 10.10.2 Kaljeno lamistal
- 10 - glass 10.10.2 toughened laminated
- 11 - brtva 340.055
- 11 - gasket 340.055
- 12 - PVC distancer 100x30x5 mm
- 12 - PVC packer 100x30x5 mm

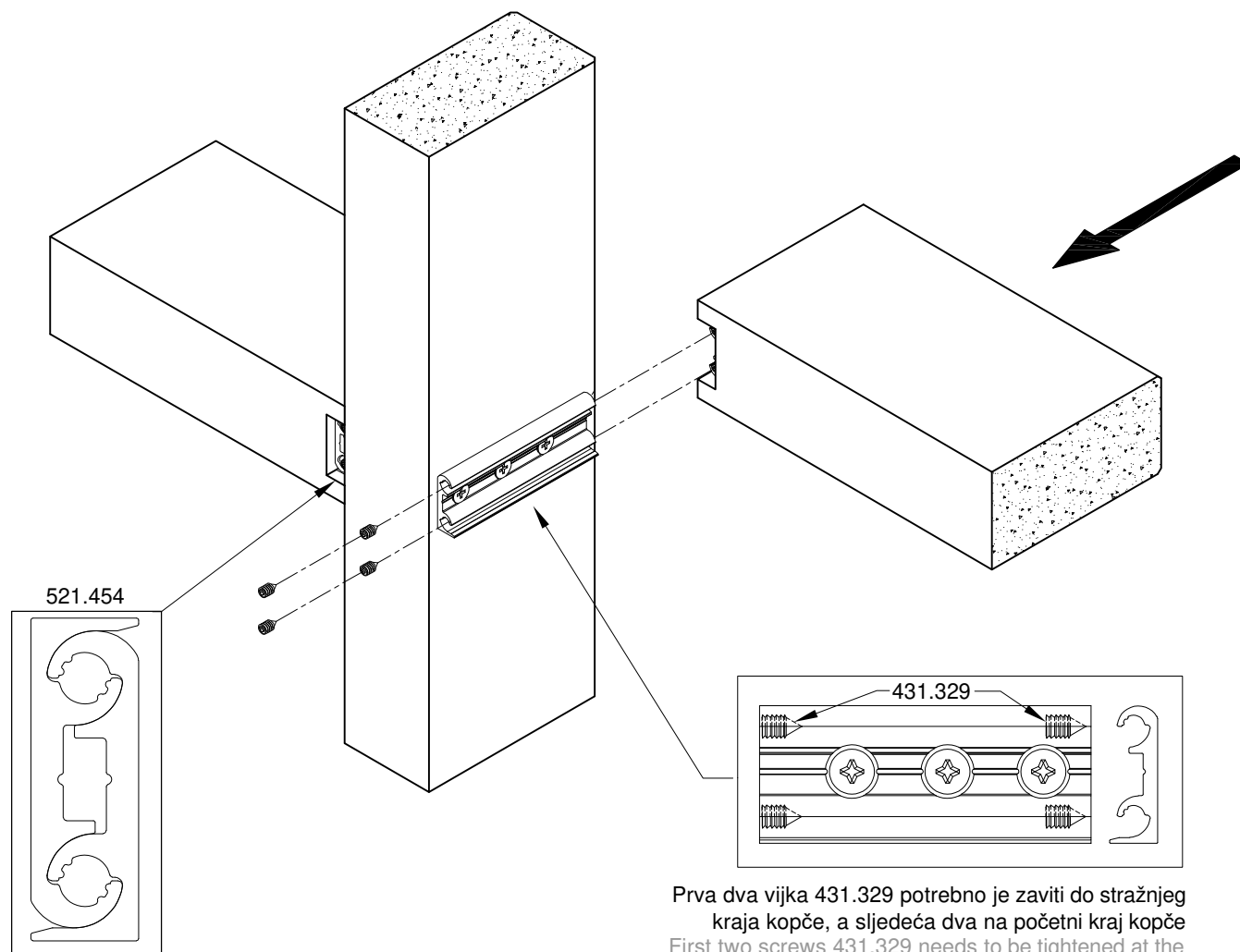
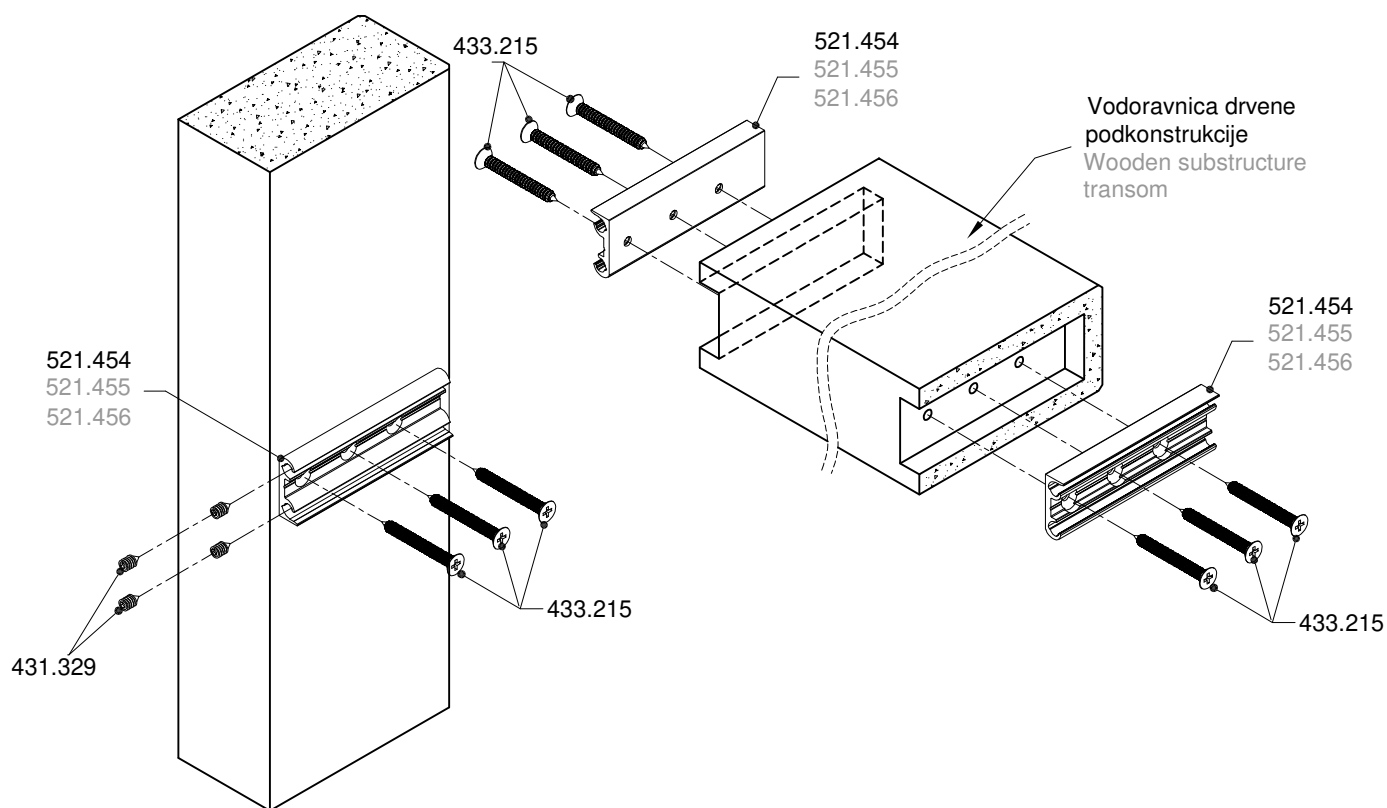
- 13 - 433.046 (za PVC čep)
- 13 - 433.046 (for PVC cover cap)
- 14 - PVC distancer 20x20x2*
- 14 - PVC packer 20x20x2*



*Raspored rupa Ø4 na ramu po visini odgovara rasporedu na profilu F-1569 te se može koristiti kao šablon
*Hole Ø4 positions by height on the frame correspond to the positions on profile F-1569 and can be used as hole template



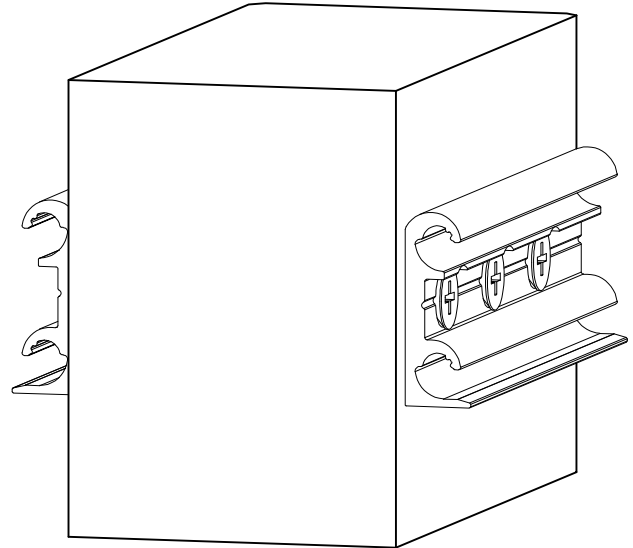
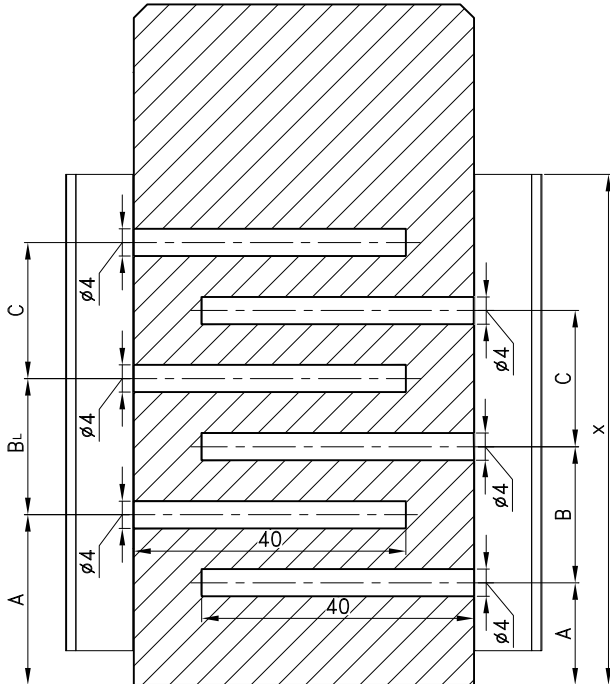




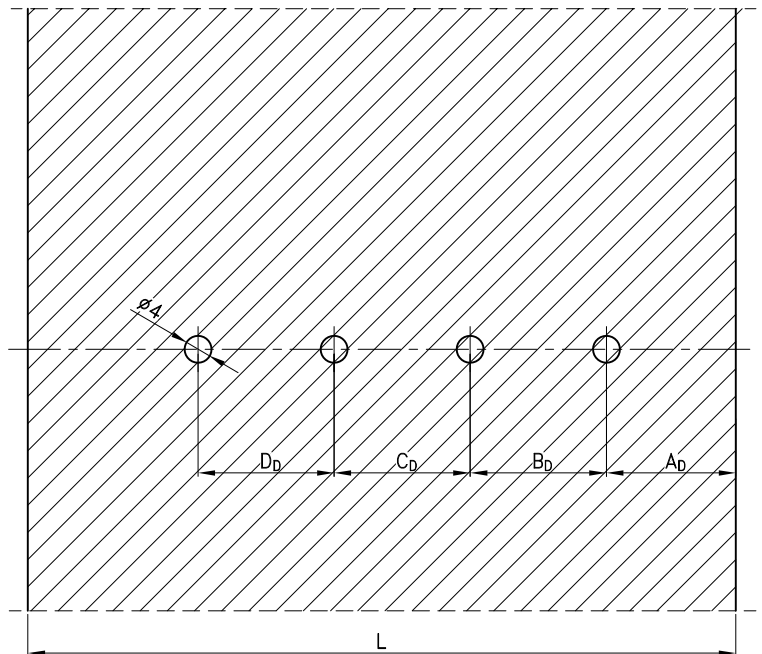
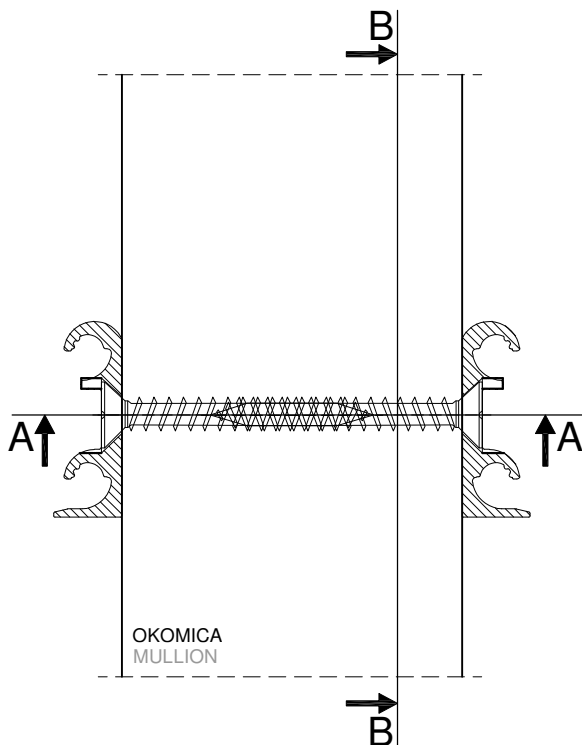
Prva dva vijka 431.329 potrebno je zaviti do stražnjeg kraja kopče, a sljedeća dva na početni kraj kopče
First two screws 431.329 needs to be tightened at the end of the clamp length and the other two at the beginning

- Obrada drvene okomice za spoj s drvenim vodoravnicama
- Wooden mullion processing for connection with wooden transoms

PRESJEK A-A
CROSS SECTION A-A

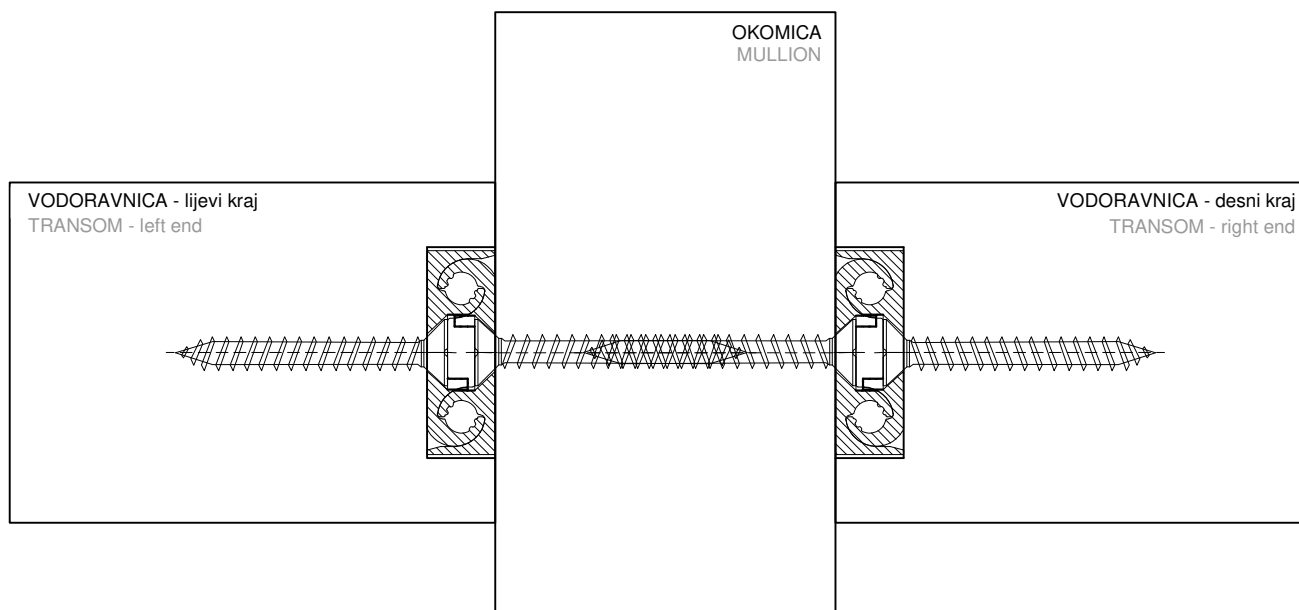


PRESJEK B-B
CROSS SECTION B-B

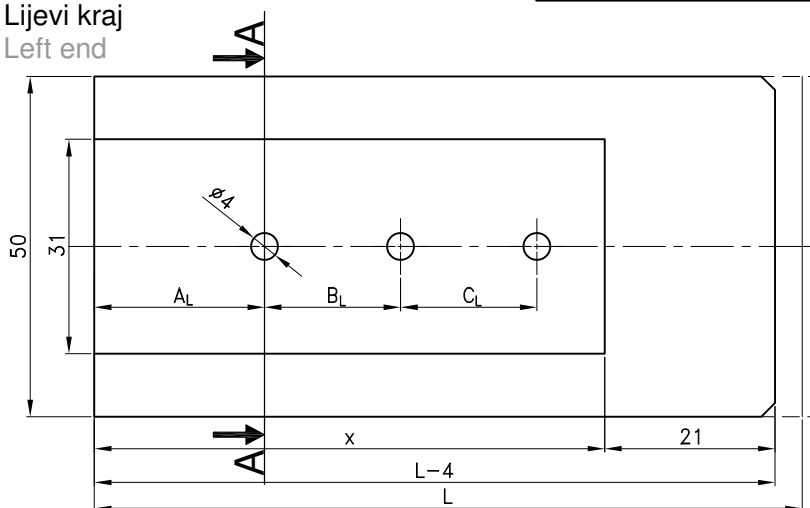


Oznaka Code	L (mm)	x (mm)	A _L (mm)	B _L (mm)	C _L (mm)	D _L (mm)	A _D (mm)	B _D (mm)	C _D (mm)	D _D (mm)
521.454	100	75	25	20	20	-	15	20	20	-
521.455	120	95	25	30	30	-	15	30	30	-
521.456	160	135	25	35	35	35	15	35	35	35

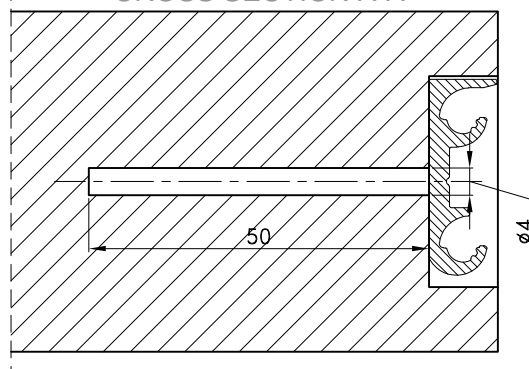
- Obrada drvene vodoravnice za spoj s drvenom okomicom
- Wooden transom processing for connection with wooden mullion



Lijevi kraj
Left end

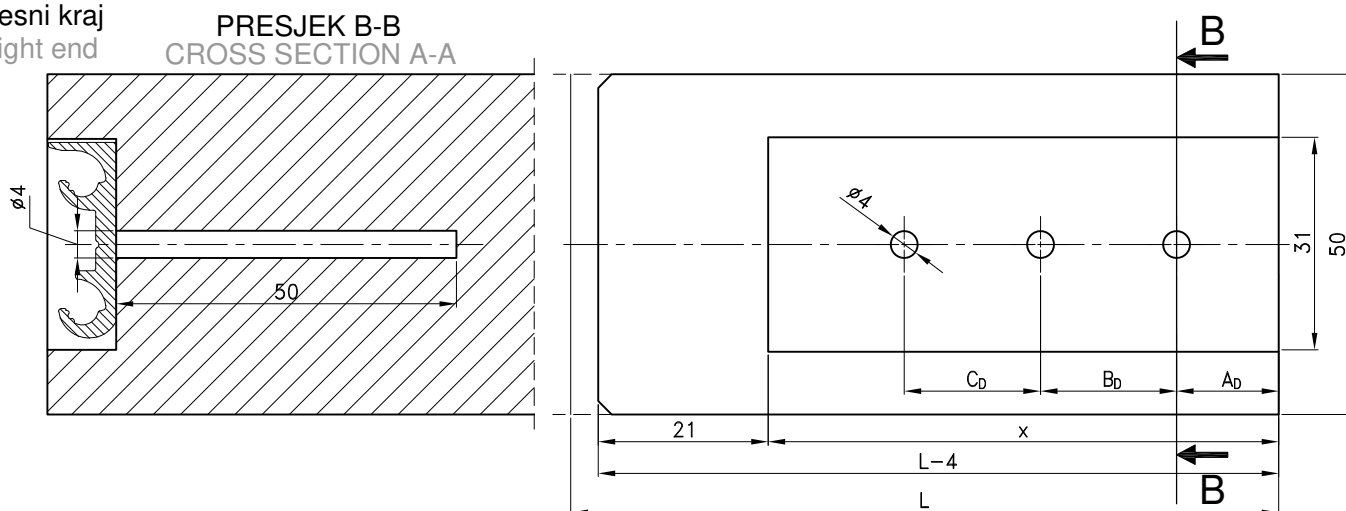


PRESJEK A-A
CROSS SECTION A-A



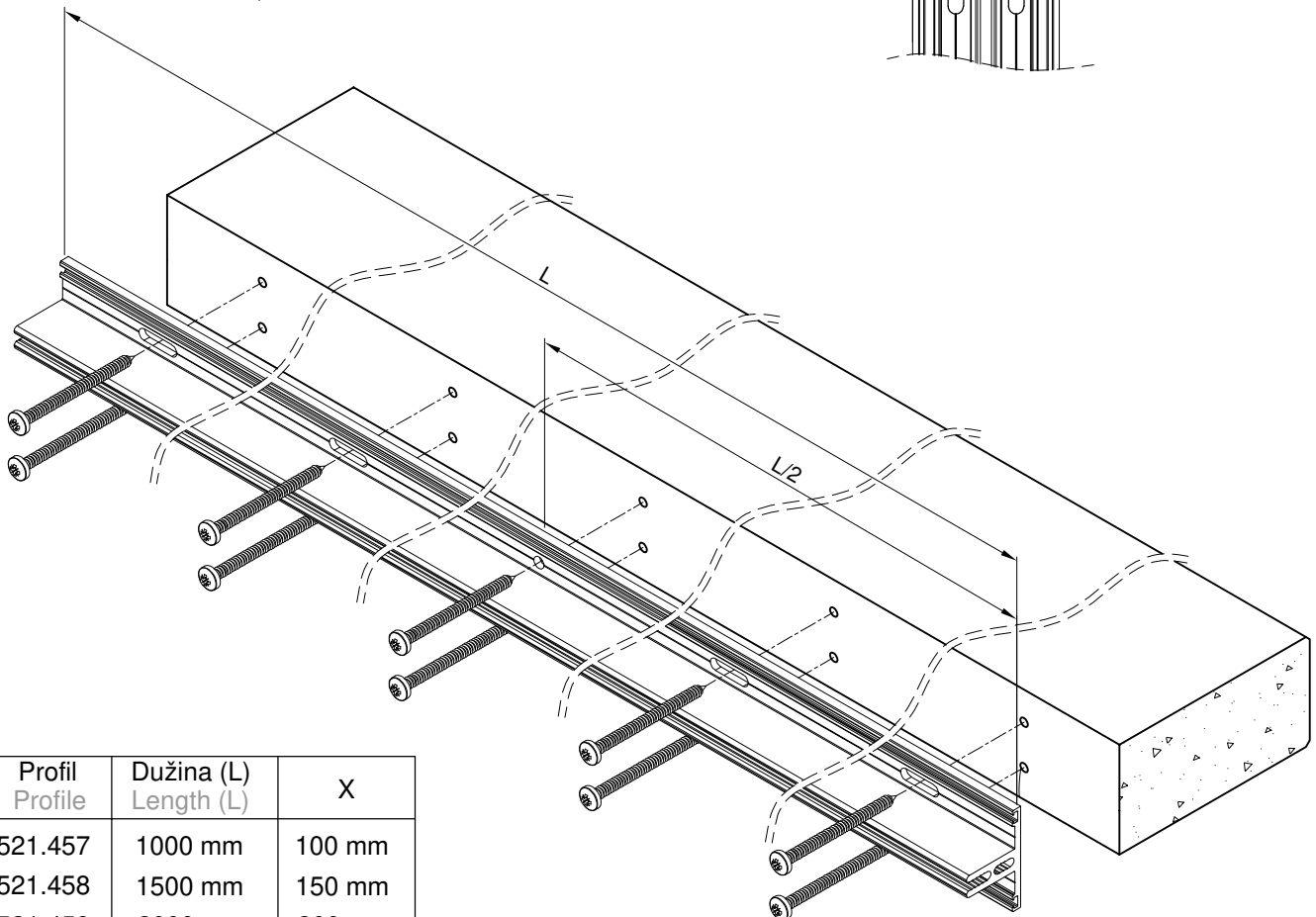
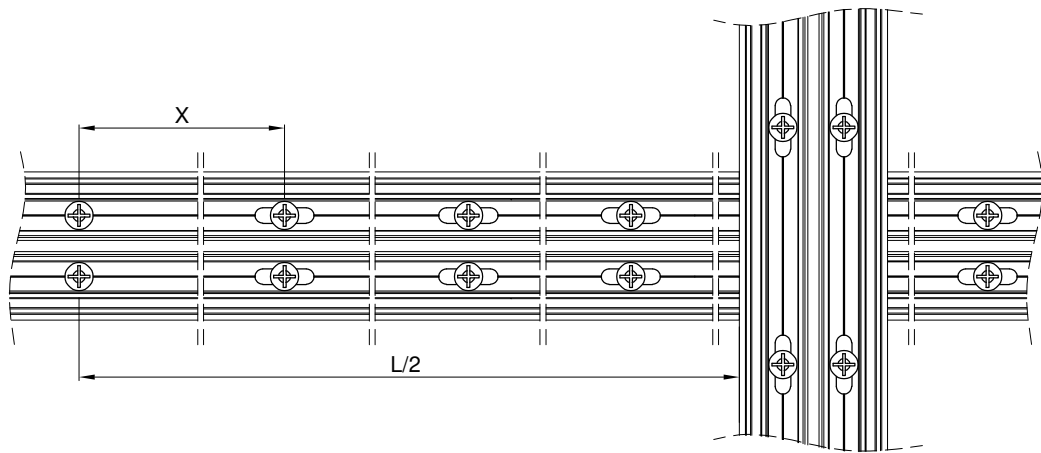
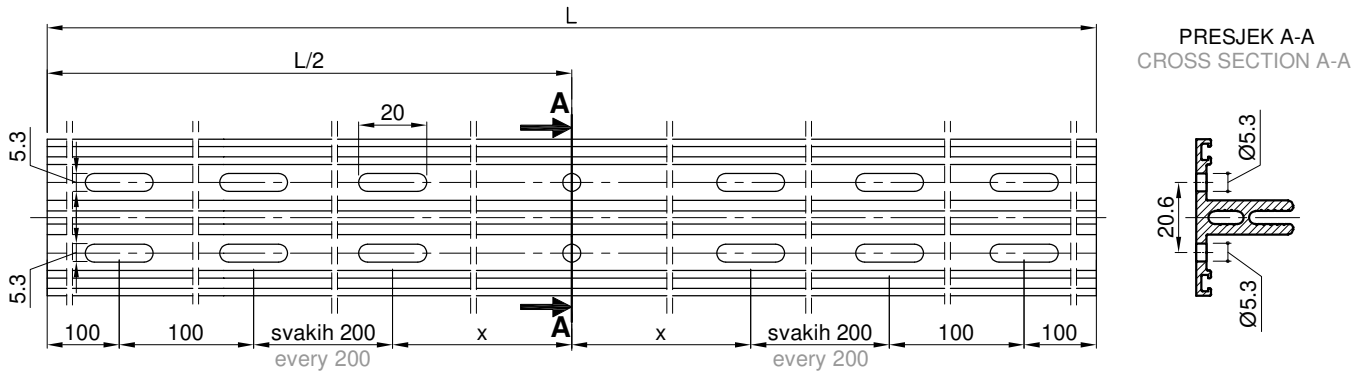
Desni kraj
Right end

PRESJEK B-B
CROSS SECTION A-A



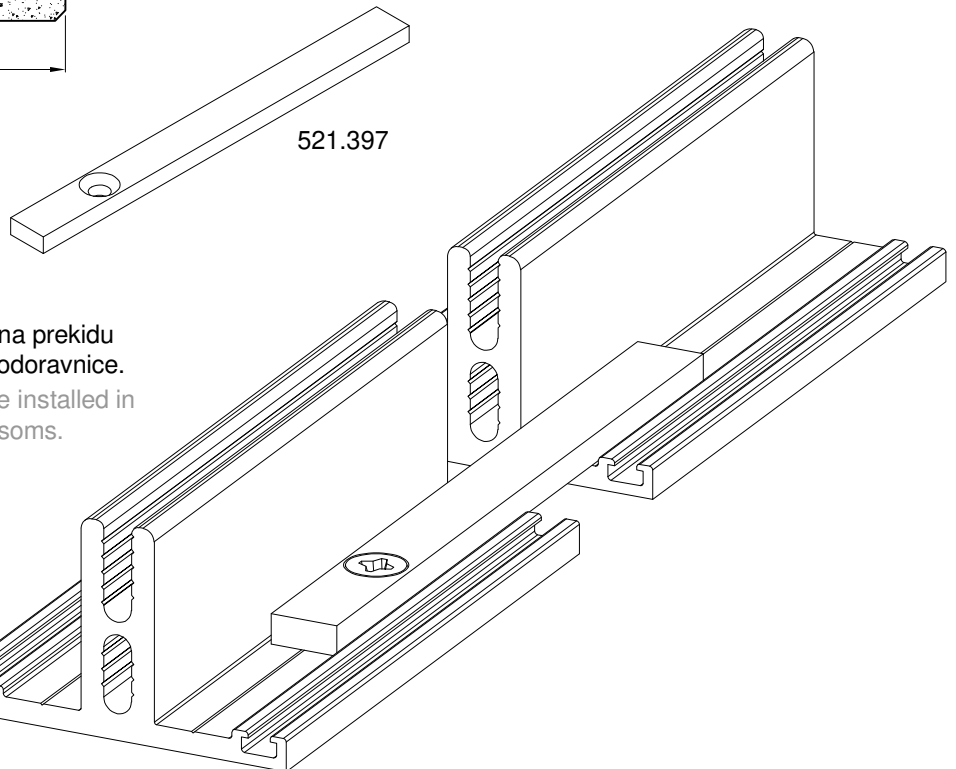
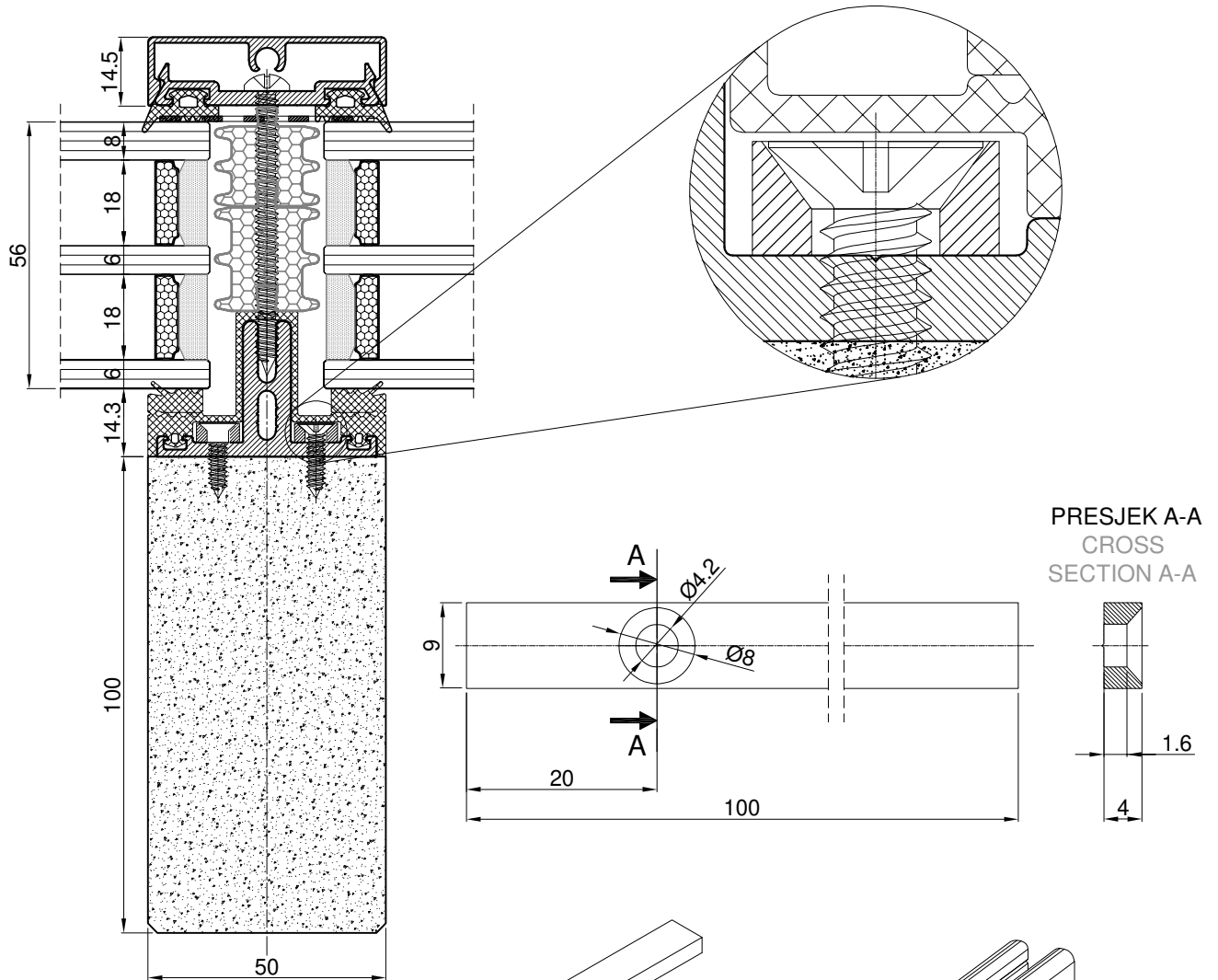
Oznaka Code	L (mm)	x (mm)	AL (mm)	BL (mm)	CL (mm)	DL (mm)	AD (mm)	BD (mm)	CD (mm)	DD (mm)
521.454	100	75	25	20	20	-	15	20	20	-
521.455	120	95	25	30	30	-	15	30	30	-
521.456	160	135	25	35	35	35	15	35	35	35

- Obrada aluminijskog profila F-1814 za spoj s drvenom podkonstrukcijom
- Aluminum profile F-1814 processing for connection with wooden substructure



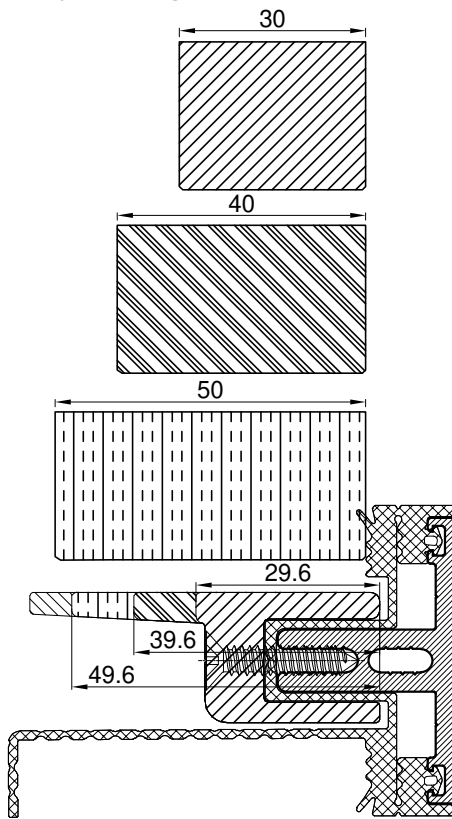
Profil Profile	Dužina (L) Length (L)	X
521.457	1000 mm	100 mm
521.458	1500 mm	150 mm
521.459	2000 mm	200 mm
521.461	3000 mm	100 mm

- Umetanje spojnice 521.397
- Inserting connector 521.397






Spojnicu 521.397 potrebno je staviti na prekidu između dvije kontinuirane okomice/vodoravnice.
The slider connector 521.397 must be installed in between two continuous mullions/transoms.

- Obrada držača stakla 521.452
- Glass holder processing 521.452

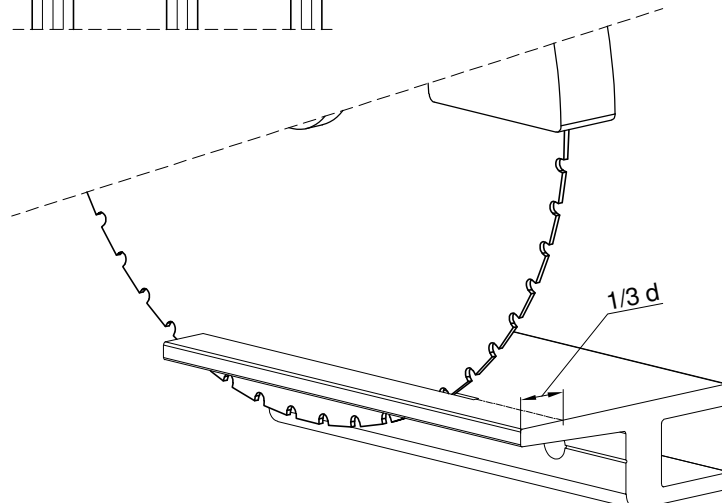
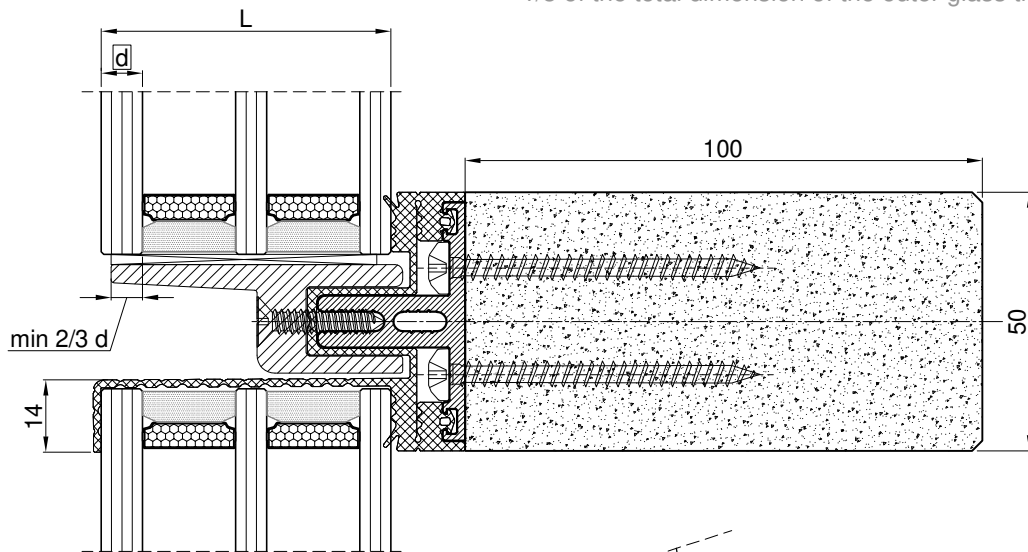


Primjeri dimenzija nosača stakla:
Dimension examples of glass support:

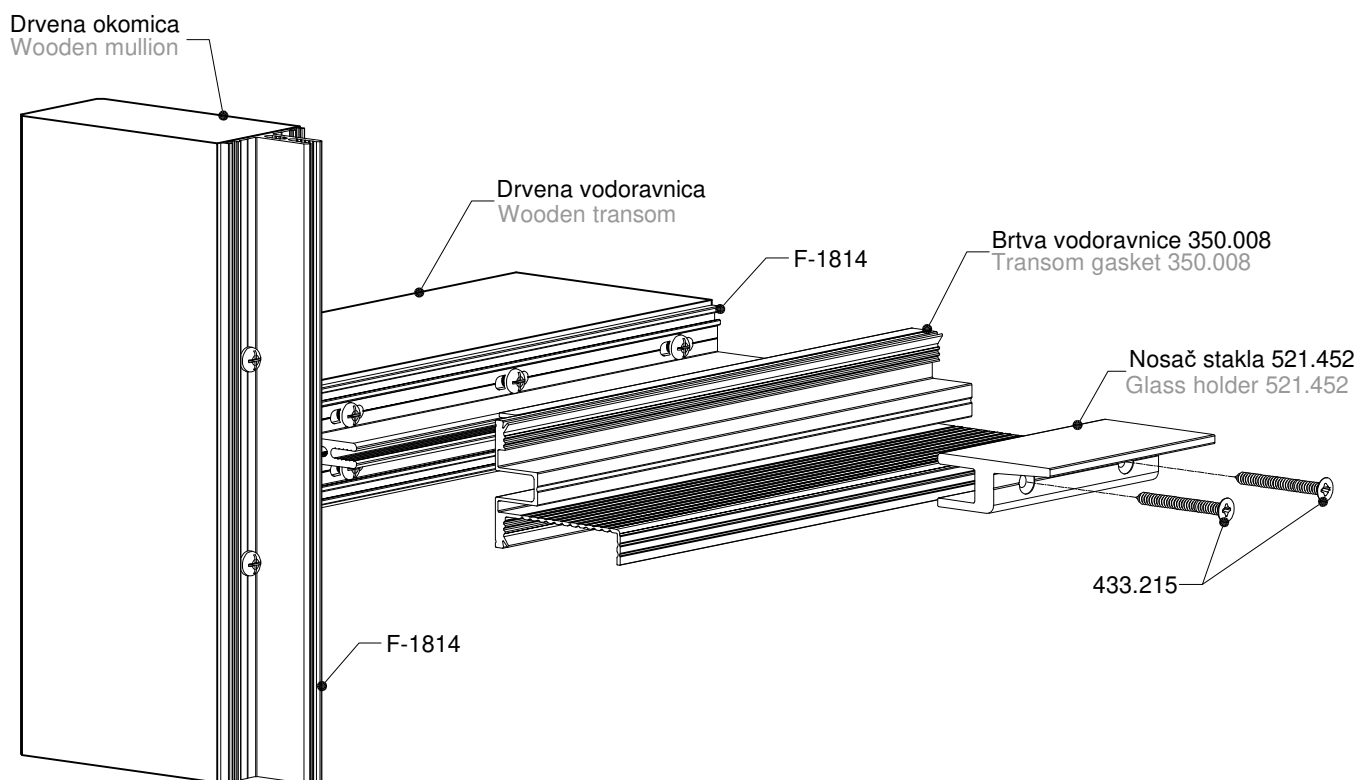
Dimenzije stakla Glass dimensions	Min. dim. nosača Min. support dim.
L	$D_{min} = 2,3 + L - (d/3)$
56 (max dim.)	56,4 
50 (vanjsko 8mm)	49,6 
40 (vanjsko 8mm)	39,6 
30 (vanjsko 8mm)	29,6 

Nosač stakla smije biti kraći od širine stakla za maksimalno 1/3 ukupne dimenzije vanjskog stakla (d).

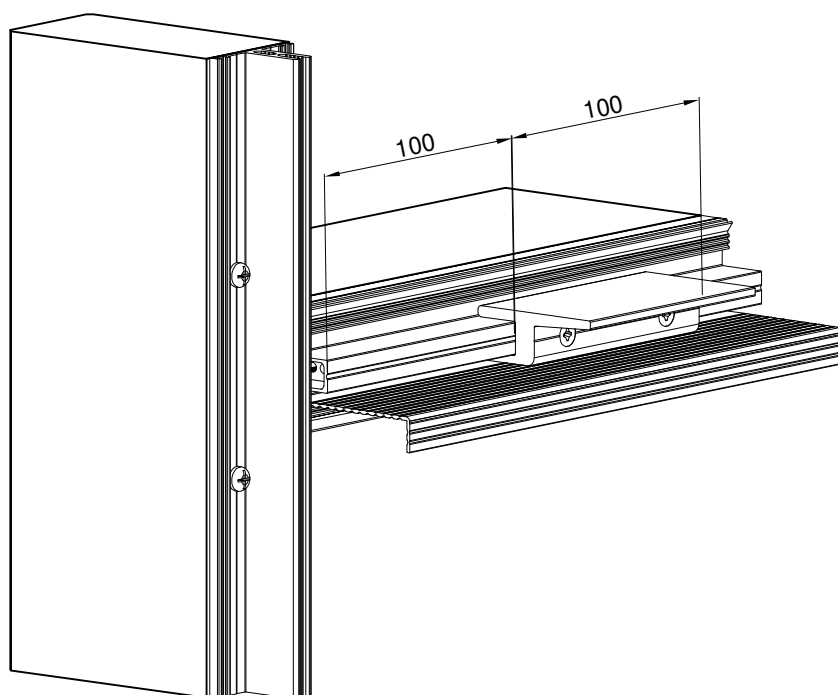
The glass holder can be shorter of glass by a maximum of 1/3 of the total dimension of the outer glass thickness (d).



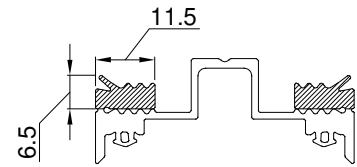
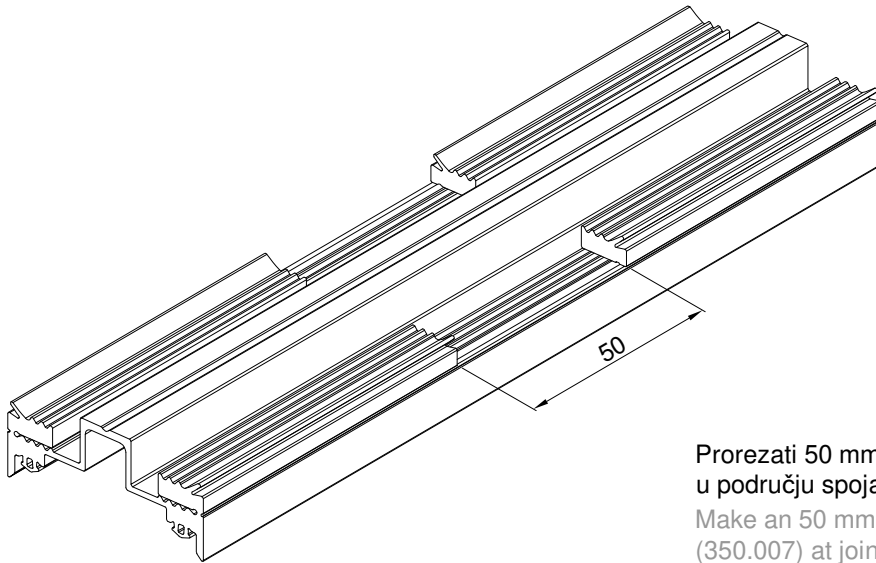
- Pozicija držača stakla 521.452
- Glass holder position 521.452



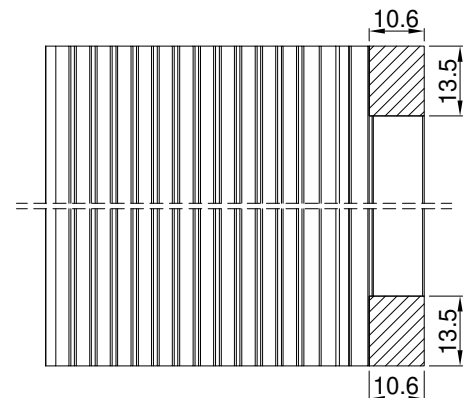
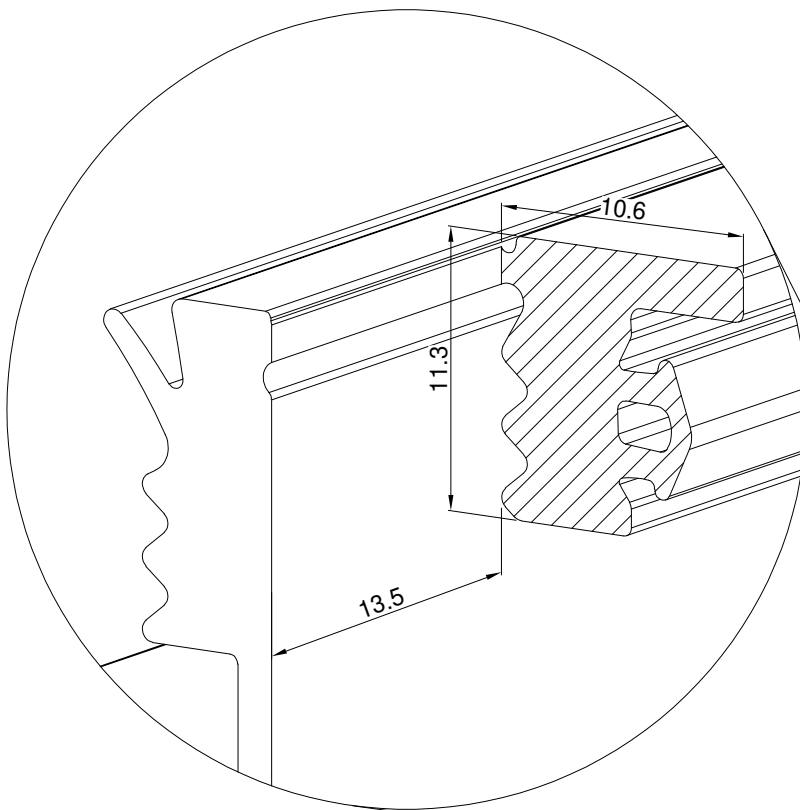
Nosač stakla potrebno je pozicionirati 100 mm od ruba vodoravnice
The glass holder must be positioned 100 mm from the transom edge



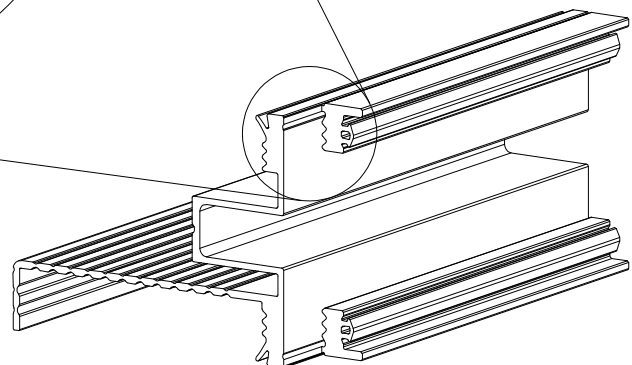
- Obrada brtvi okomice i vodoravnice - spoj okomice i vodoravnice
- Processing for gaskets of mullions and transoms - transom and mullion joint



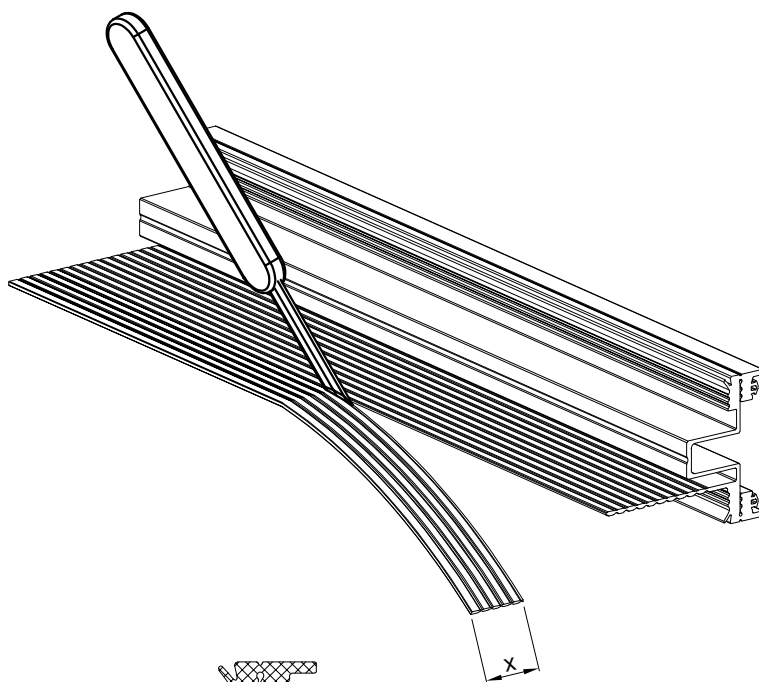
Prorezati 50 mm dužine brtvu (350.007) u području spoja okomice i vodoravnice
Make an 50 mm long cut on the gasket edges (350.007) at joint point of mullion and transom



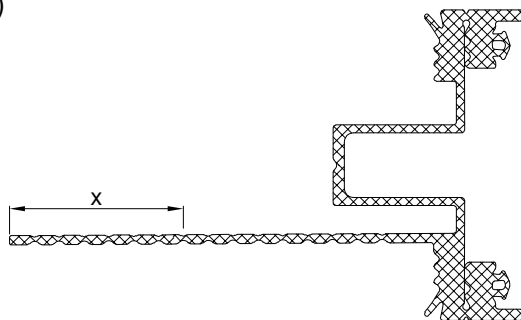
Izrezati brtvu (350.008) u području spoja okomice i vodoravnice (13.5x11.3x10.6)
Cut the gasket (350.008) edges at joint point of mullion and transom (13.5x11.3x10.6)



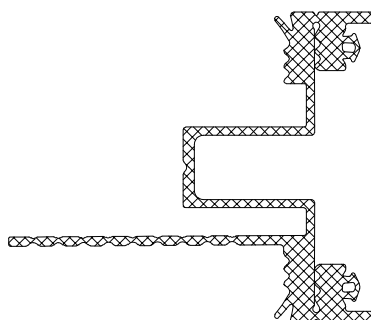
- Rezanje brtve na vodoravnici u ovisnosti o debljini stakla
- Cutting of an gaskets on transom depending on glass thickness



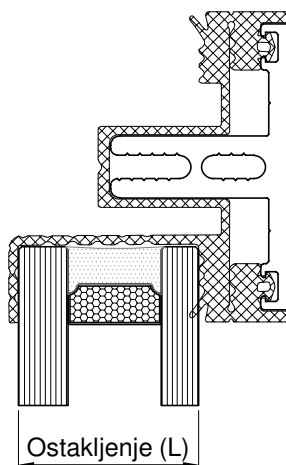
1.)



2.)

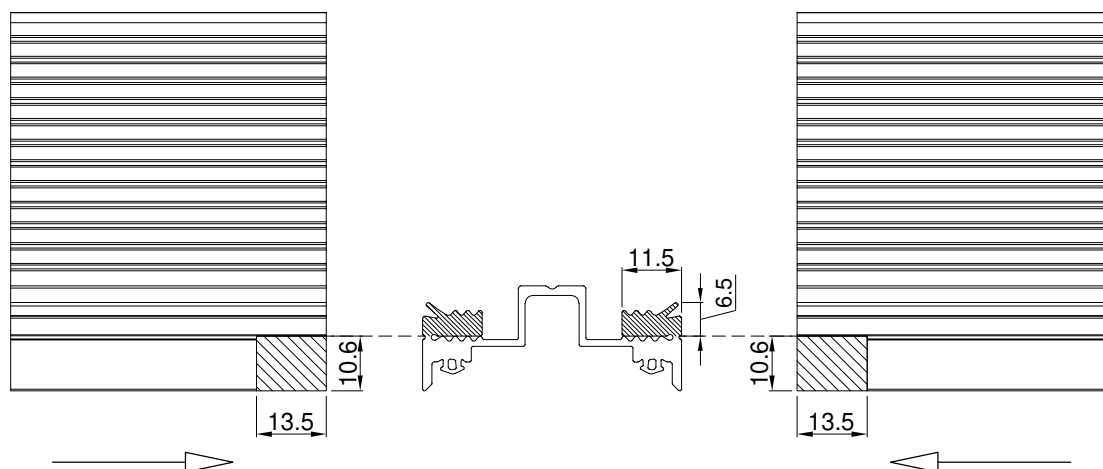


3.)



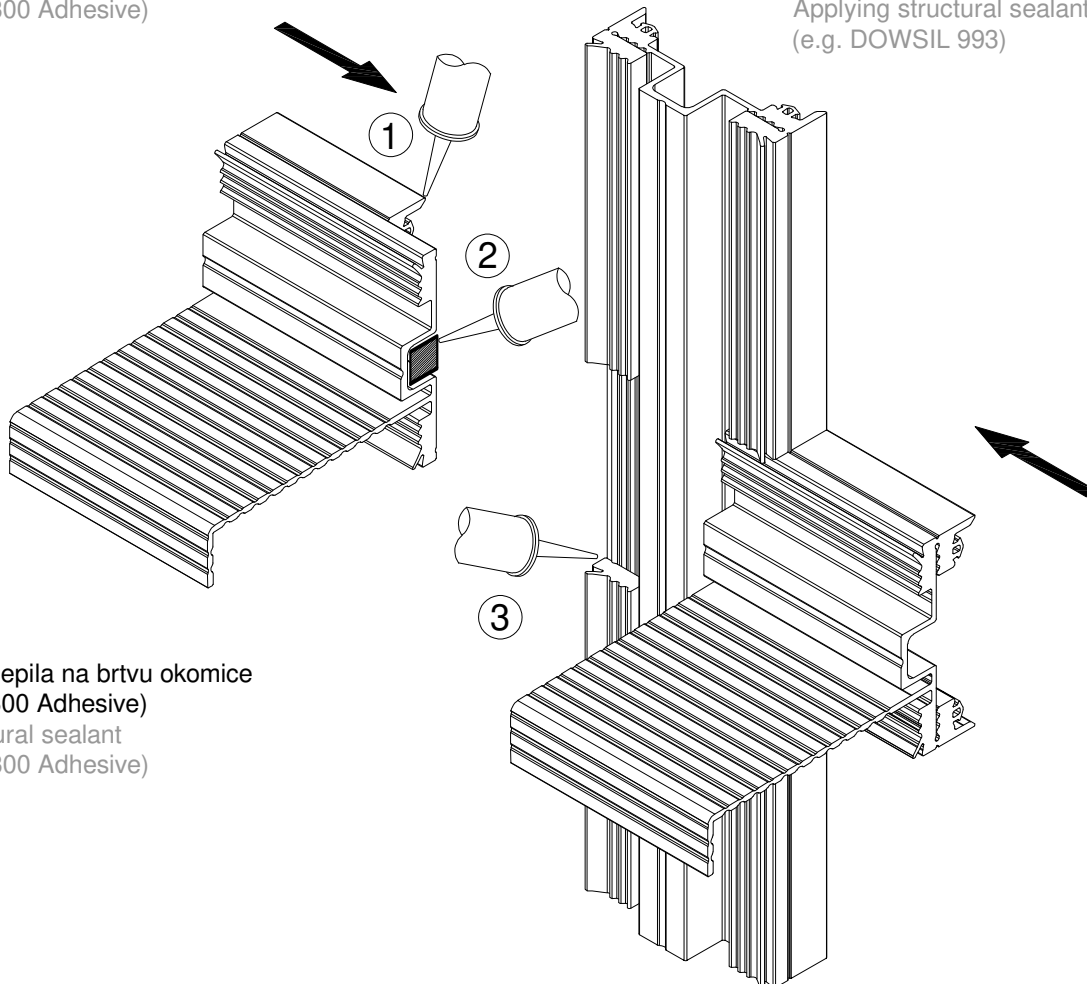
Debljina stakla (L) Glass thickness (L)	Dimenzija rezanja (x) Cutting dimension (x)
52-56	4
48-52	8
44-48	12
40-44	16
36-40	20
32-36	24
28-32	28
26-28	32
$L_{max} = 56 \text{ mm}$ $L_{min} = 26 \text{ mm}$	

- Spajanje brtvi okomice i vodoravnice
- Mullion and transom gasket joint

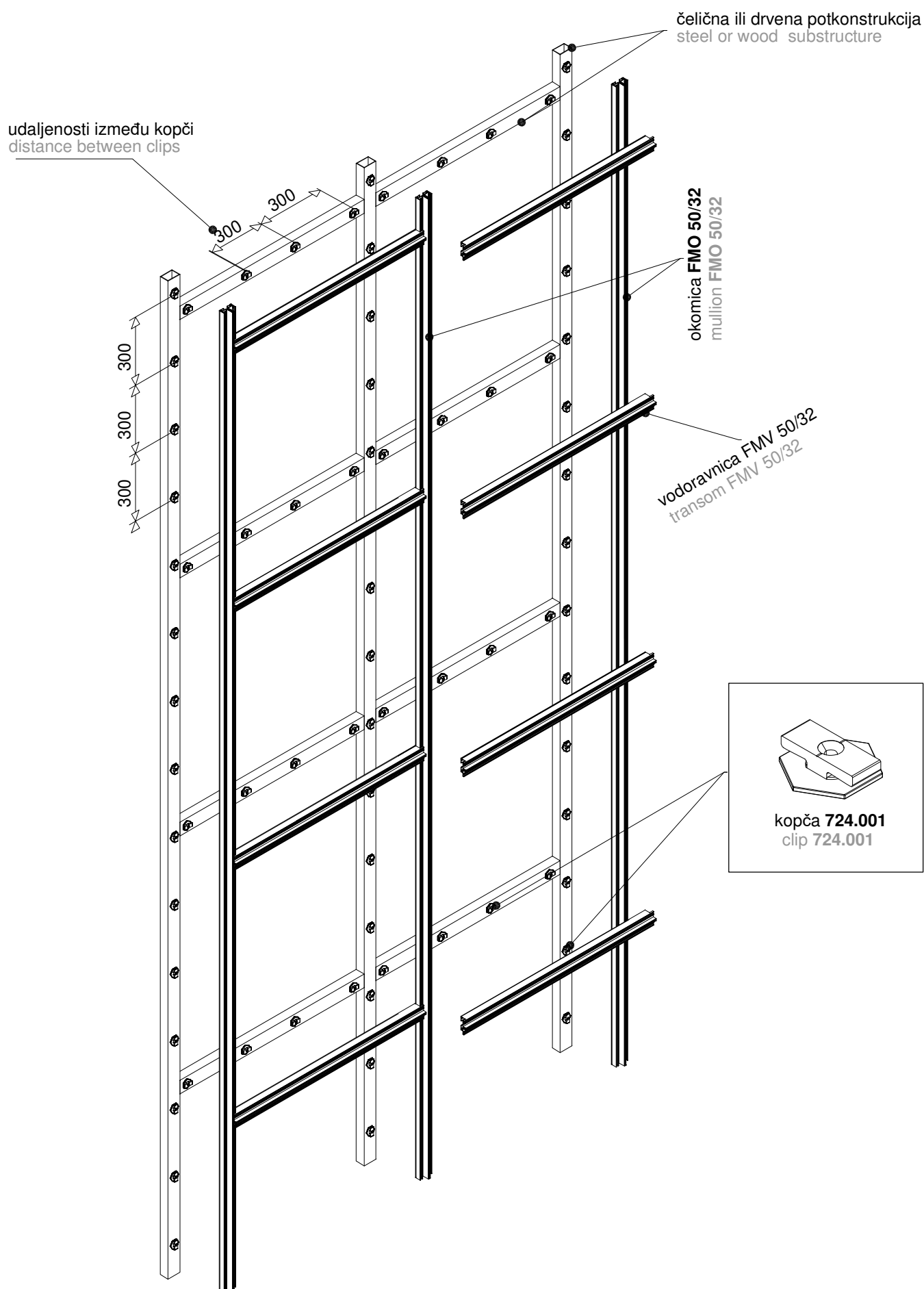


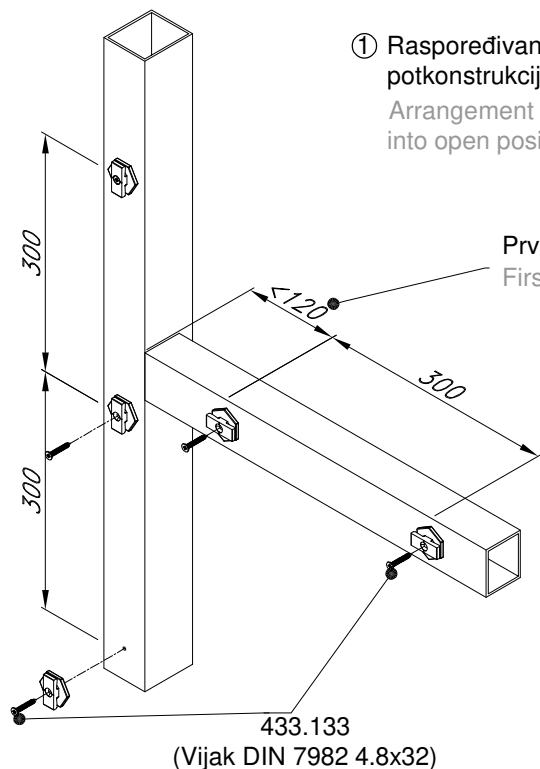
1.) Nanošenje ljepila na brtvu vodoravnice
(tipa DOWSIL 300 Adhesive)
Applying structural sealant
(e.g. DOWSIL 300 Adhesive)

2.) Zapuniti strukturalni silikon
na mjesto spoja brtvi
(tipa DOWSIL 993)
Applying structural sealant
(e.g. DOWSIL 993)



3.) Nanošenje ljepila na brtvu okomice
(tipa DOWSIL 300 Adhesive)
Applying structural sealant
(e.g. DOWSIL 300 Adhesive)



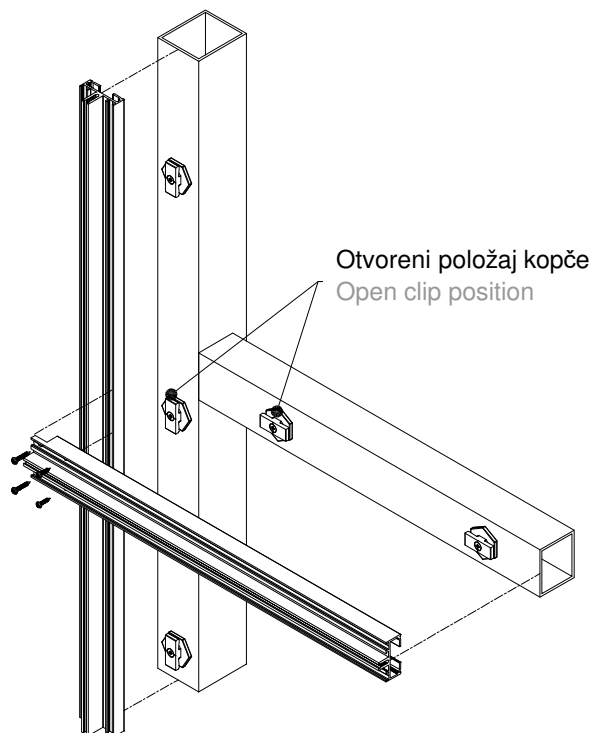


- ① Raspoređivanje i pričvršćivanje kopči **724.001** na čeličnu ili drvenu potkonstrukciju u otvoreni položaj
Arrangement and fastening clips **724.001** on steel or wood substructure into open position

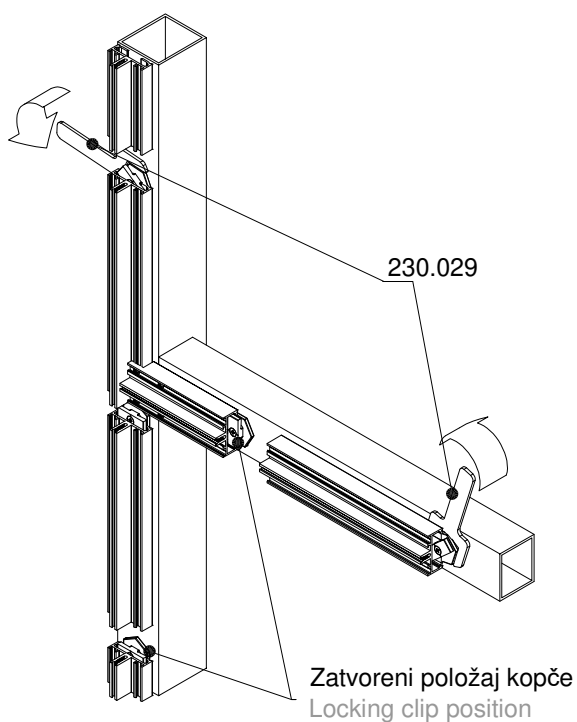
Prva kopča do okomice, maksimalno 120 mm
First clip to the mullion, max 120 mm

433.133
(Vijak DIN 7982 4.8x32)

- ② Nanošenje vertikalnice FMO 50/32 i vodoravnice FMV 50/32
Placing of mullion FMO 50/32 and transom FMV 50/32

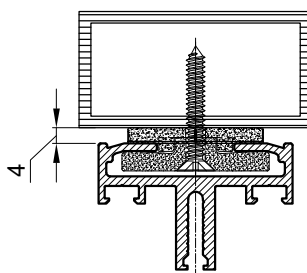


Otvoreni položaj kopče
Open clip position

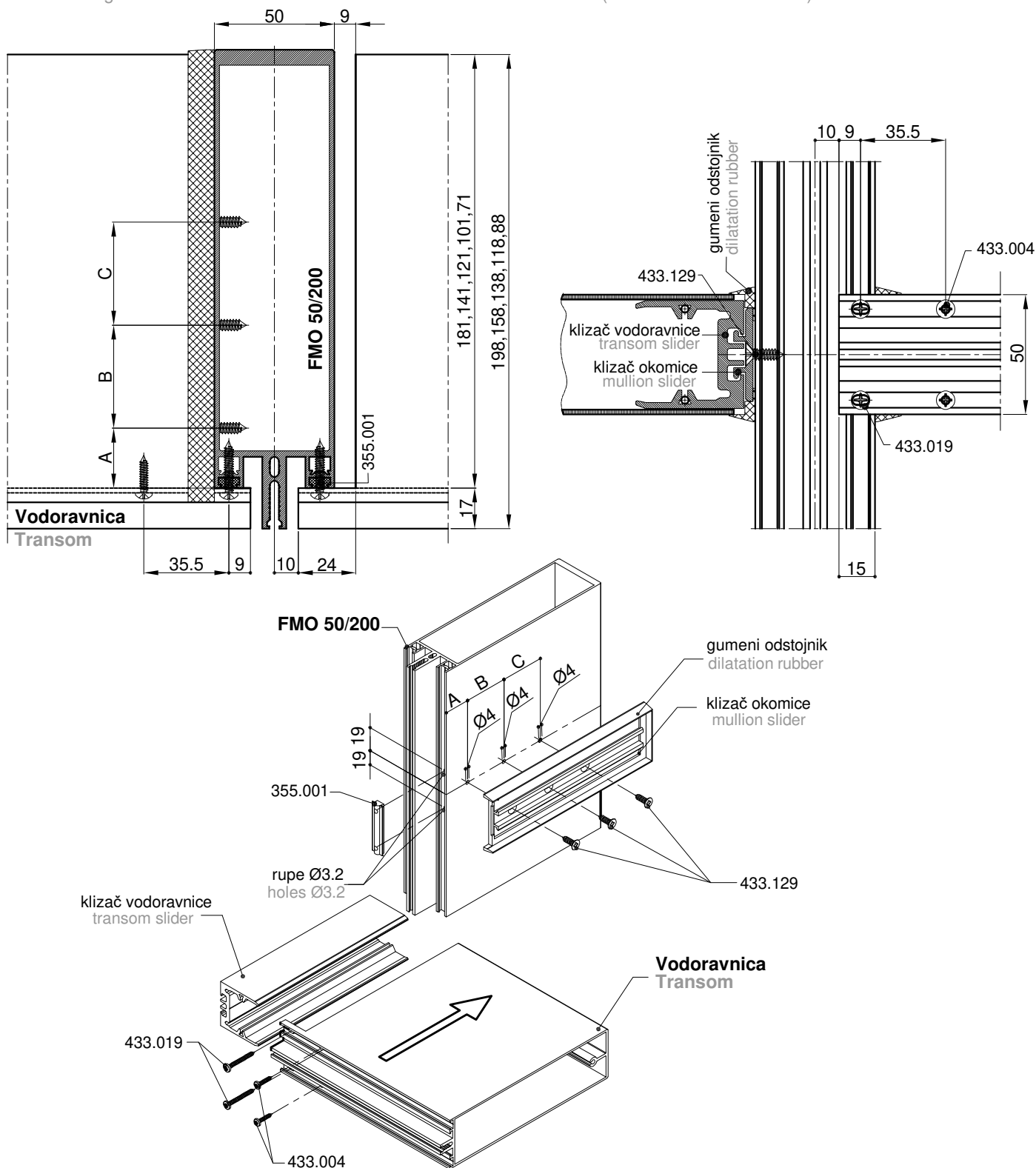


- ③ Rotiranje kopči alatom u zatvoreni položaj
Rotating clips with tool into locking position

Zatvoreni položaj kopče
Locking clip position

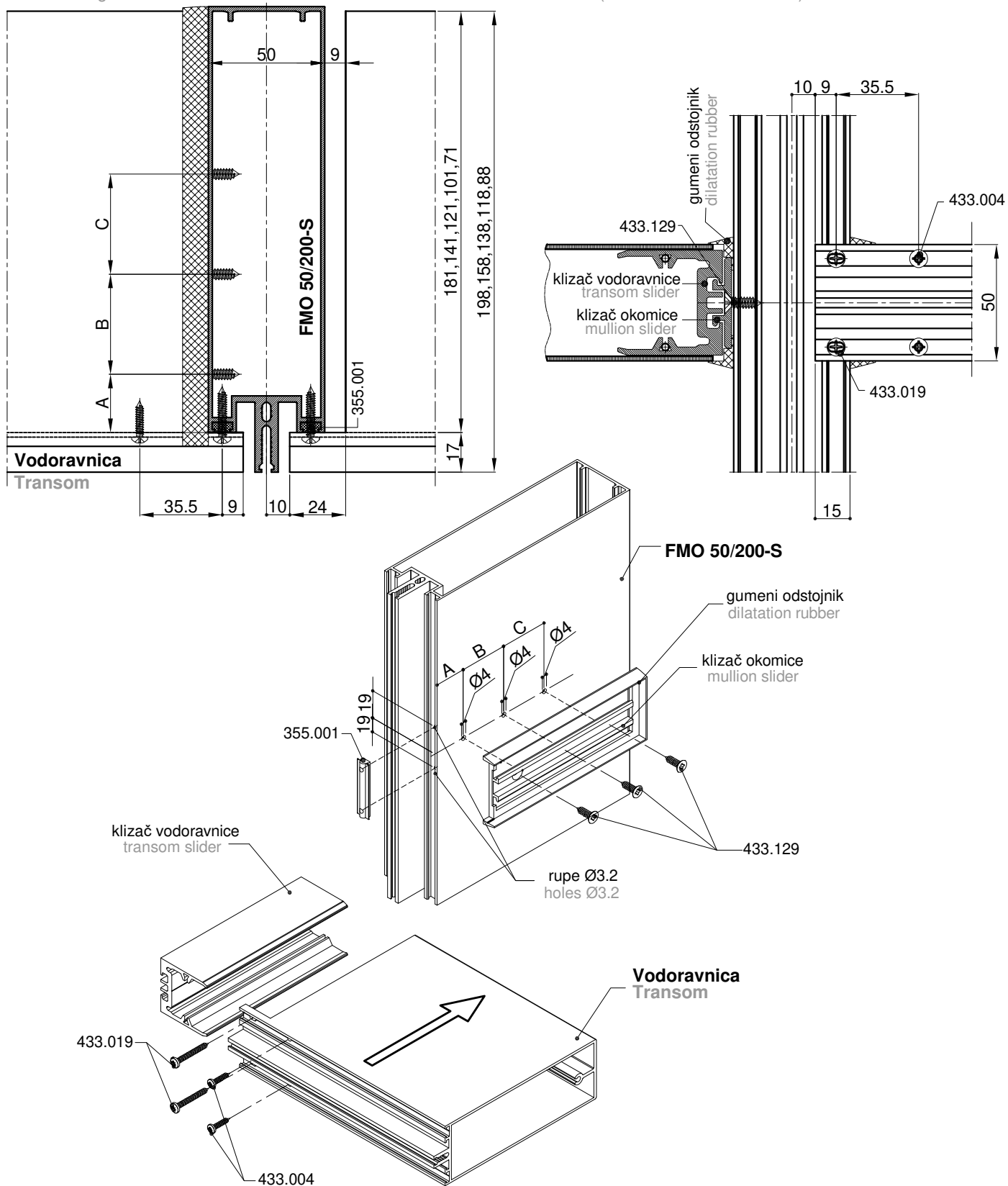


- Obrada okomice **FMO 50/200** za vodoravnicu **FMV 50/198 ili manju** (gumeni odstoynik sa obrubom)
- Processing of mullion **FMO 50/200** for transom **FMV 50/198 or smaller** (rimmed dilatation rubber)



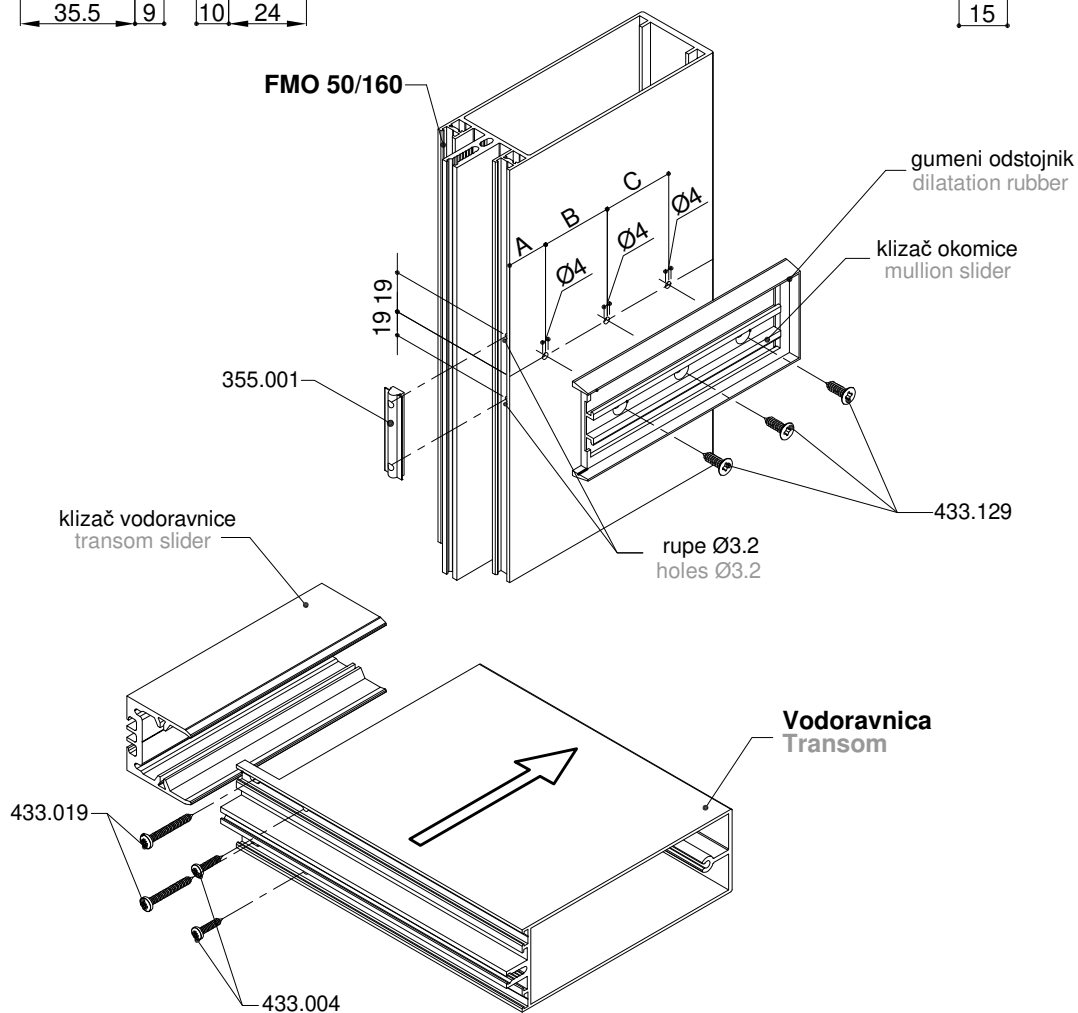
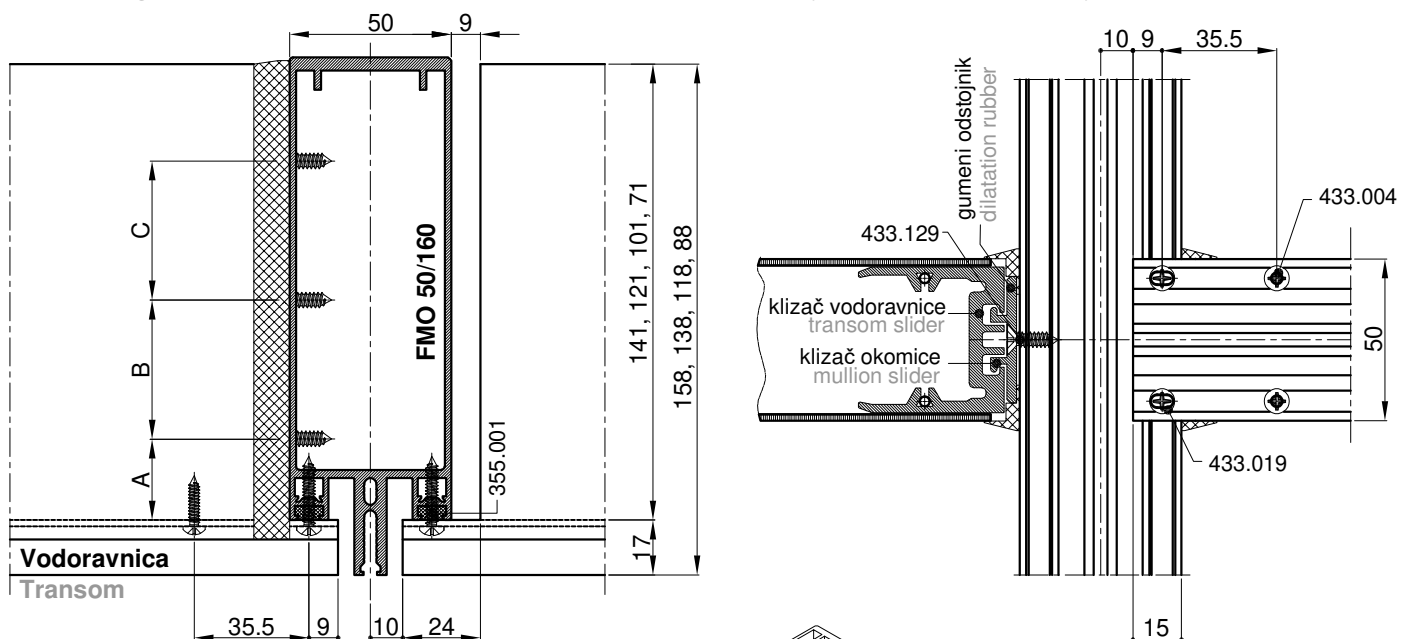
Vodoravnica Transom	Klizač okomice Mullion slider	Klizač vodoravnice Transom slider	Dimenzija A Dimension A	Dimenzija B Dimension B	Dimenzija C Dimension C	Gumeni odstoynik Dilatation rubber
FMV 50/198	720.204	721.204	25 mm	43 mm	43 mm	366.007
FMV 50/158	720.203	721.203	25 mm	43 mm	43 mm	366.006
FMV 50/138	720.208	721.217	25 mm	40 mm	40 mm	366.011
FMV 50/118	720.202	721.202	25 mm	44 mm	-	366.033
FMV 50/88	720.201	721.201	25 mm	30 mm	-	366.005

- Obrada okomice **FMO 50/200-S** za vodoravnicu **FMV 50/198 ili manju** (gumeni odstoynik sa obrubom)
- Processing of mullion **FMO 50/200-S** for transom **FMV 50/198 or smaller** (rimmed dilatation rubber)



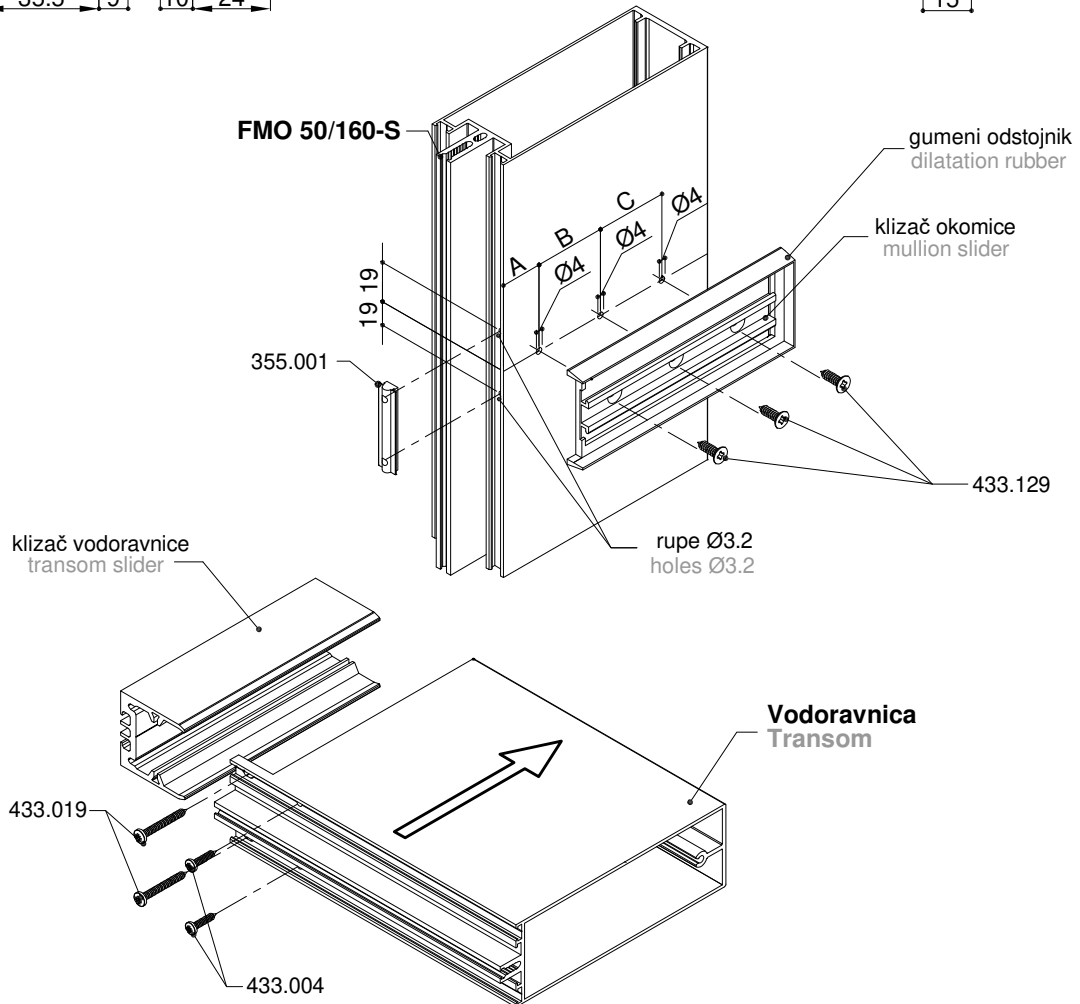
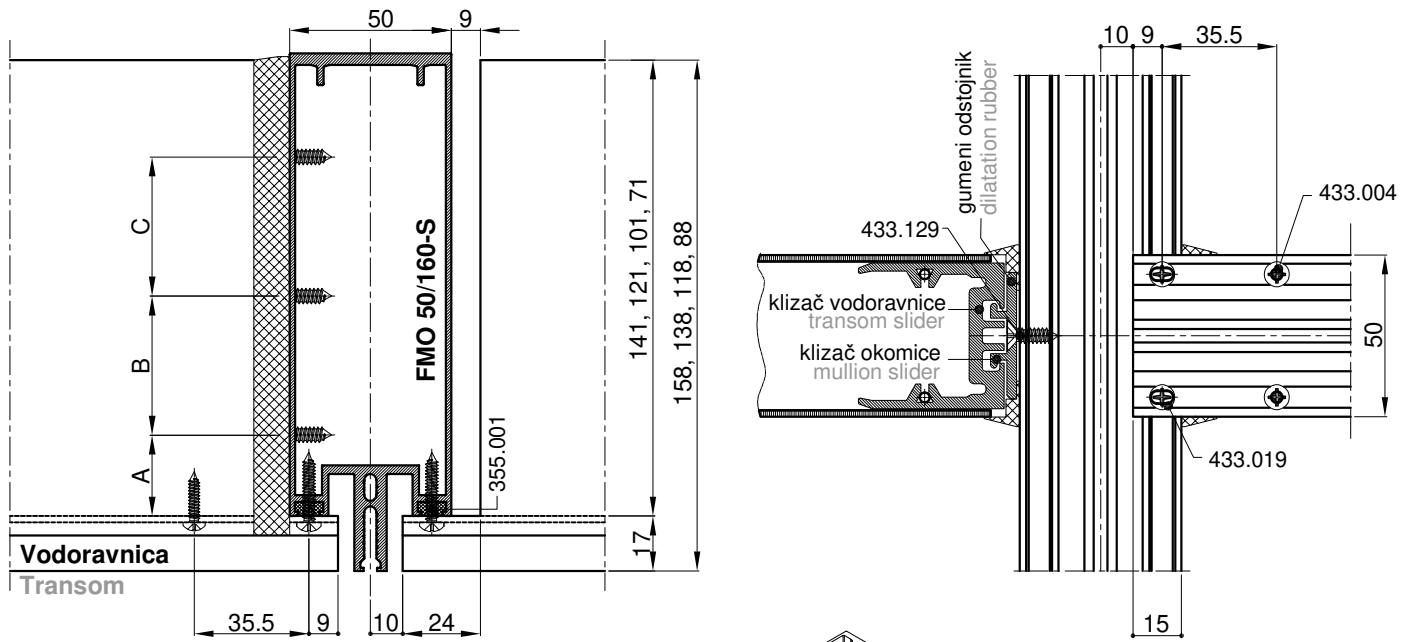
Vodoravnica Transom	Klizač okomice Mullion slider	Klizač vodoravnice Transom slider	Dimenzija A Dimension A	Dimenzija B Dimension B	Dimenzija C Dimension C	Gumeni odstoynik Dilatation rubber
FMV 50/158	720.203	721.203	25 mm	43 mm	43 mm	366.006
FMV 50/138	720.208	721.217	25 mm	40 mm	40 mm	366.011
FMV 50/118	720.202	721.202	25 mm	44 mm	-	366.033
FMV 50/88	720.201	721.201	25 mm	30 mm	-	366.005

- Obrada okomice **FMO 50/160** za vodoravnicu **FMV 50/158 ili manju** (gumeni odstoynik sa obrubom)
- Processing of mullion **FMO 50/160** for transom **FMV 50/158 or smaller** (rimmed dilatation rubber)



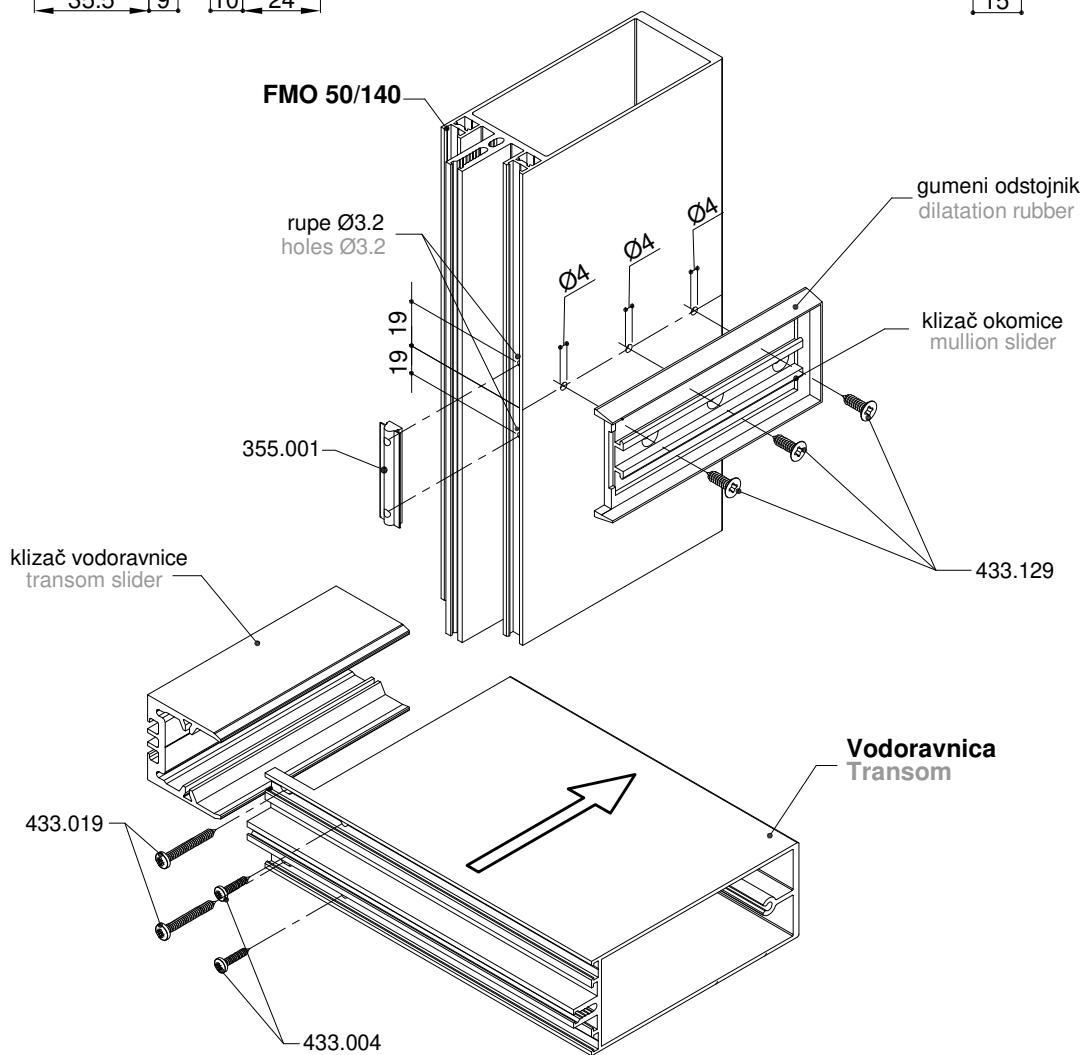
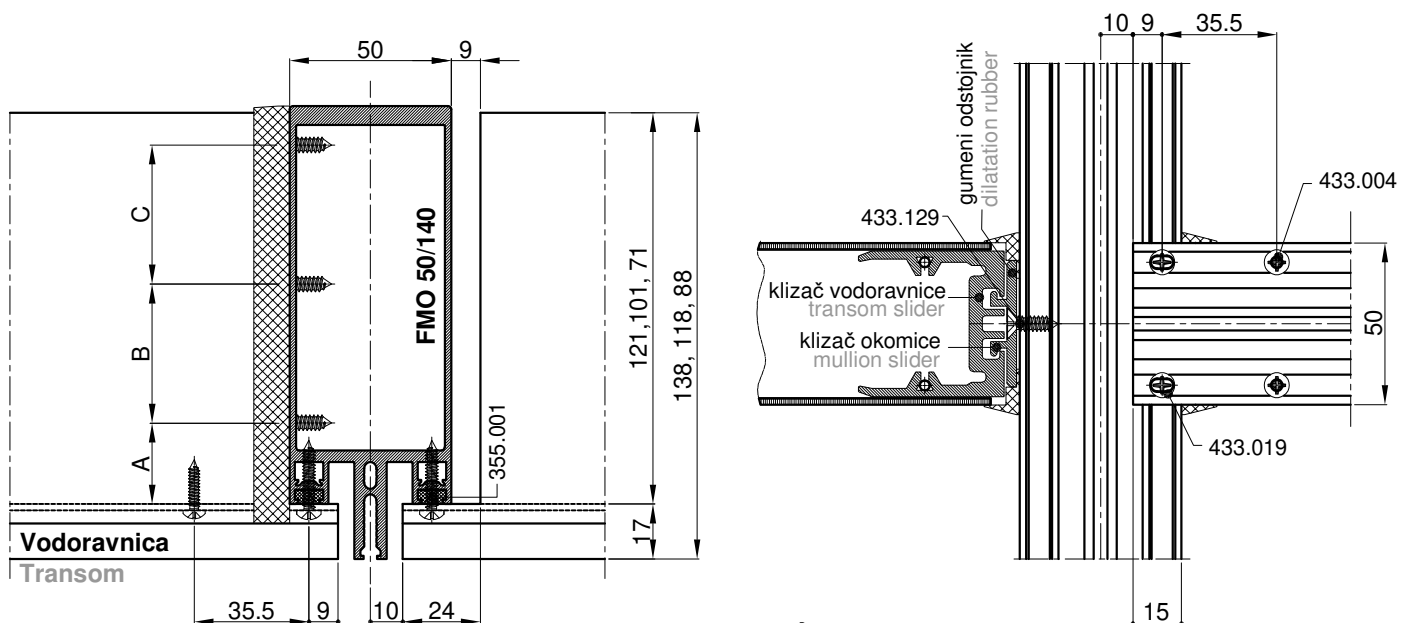
Vodoravnica Transom	Klizač okomice Mullion slider	Klizač vodoravnice Transom slider	Dimenzija A Dimension A	Dimenzija B Dimension B	Dimenzija C Dimension C	Gumeni odstoynik Dilatation rubber
FMV 50/158	720.203	721.203	25 mm	43 mm	43 mm	366.006
FMV 50/138	720.208	721.217	25 mm	40 mm	40 mm	366.011
FMV 50/118	720.202	721.202	25 mm	44 mm	-	366.033
FMV 50/88	720.201	721.201	25 mm	30 mm	-	366.005

- Obrada okomice **FMO 50/160-S** za vodoravnicu **FMV 50/158 ili manju** (gumeni odstoynik sa obrubom)
- Processing of mullion **FMO 50/160-S** for transom **FMV 50/158 or smaller** (rimmed dilatation rubber)



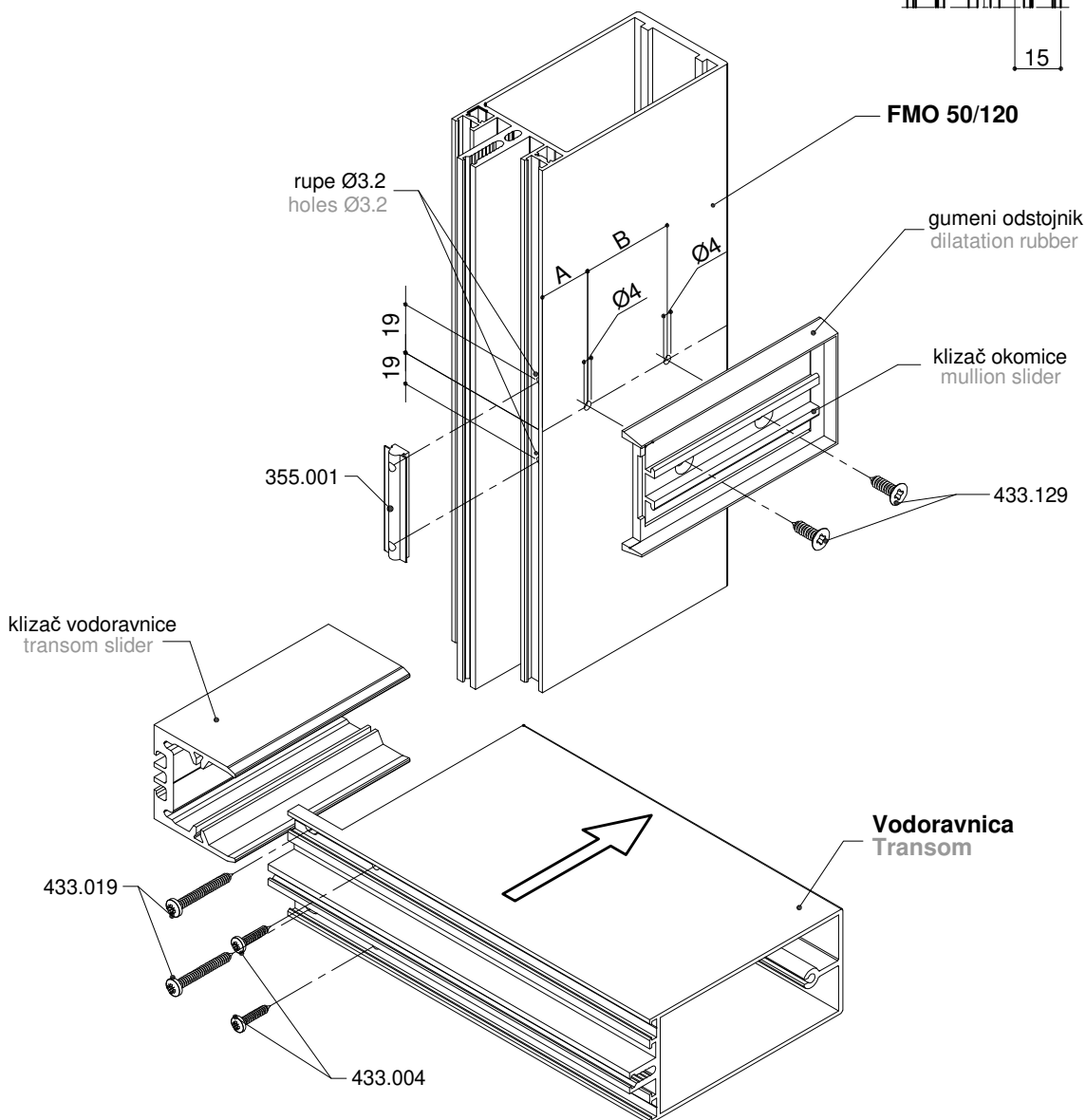
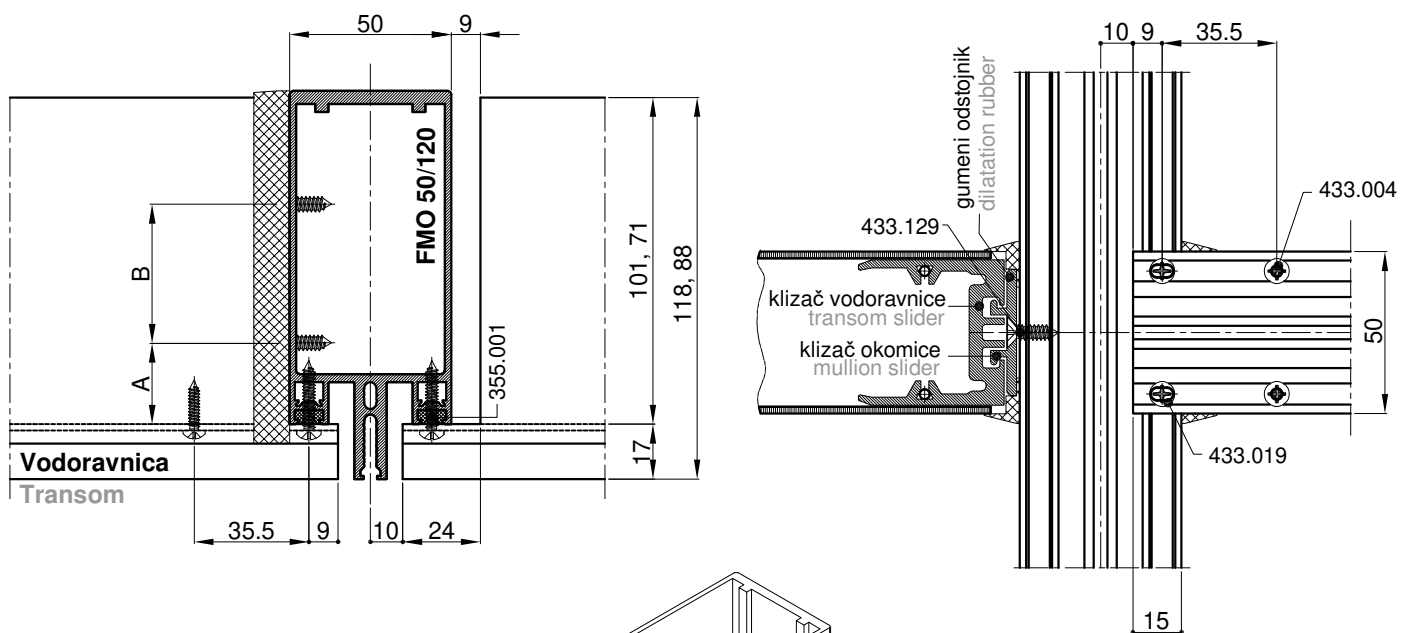
Vodoravnica Transom	Klizač okomice Mullion slider	Klizač vodoravnice Transom slider	Dimenzija A Dimension A	Dimenzija B Dimension B	Dimenzija C Dimension C	Gumeni odstoynik Dilatation rubber
FMV 50/158	720.203	721.203	25 mm	43 mm	43 mm	366.006
FMV 50/138	720.208	721.217	25 mm	40 mm	40 mm	366.011
FMV 50/118	720.202	721.202	25 mm	44 mm	-	366.033
FMV 50/88	720.201	721.201	25 mm	30 mm	-	366.005

- Obrada okomice **FMO 50/140** za vodoravnicu **FMV 50/138 ili manju** (gumeni odstojnik sa obrubom)
- Processing of mullion **FMO 50/140** for transom **FMV 50/138 or smaller** (rimmed dilatation rubber)



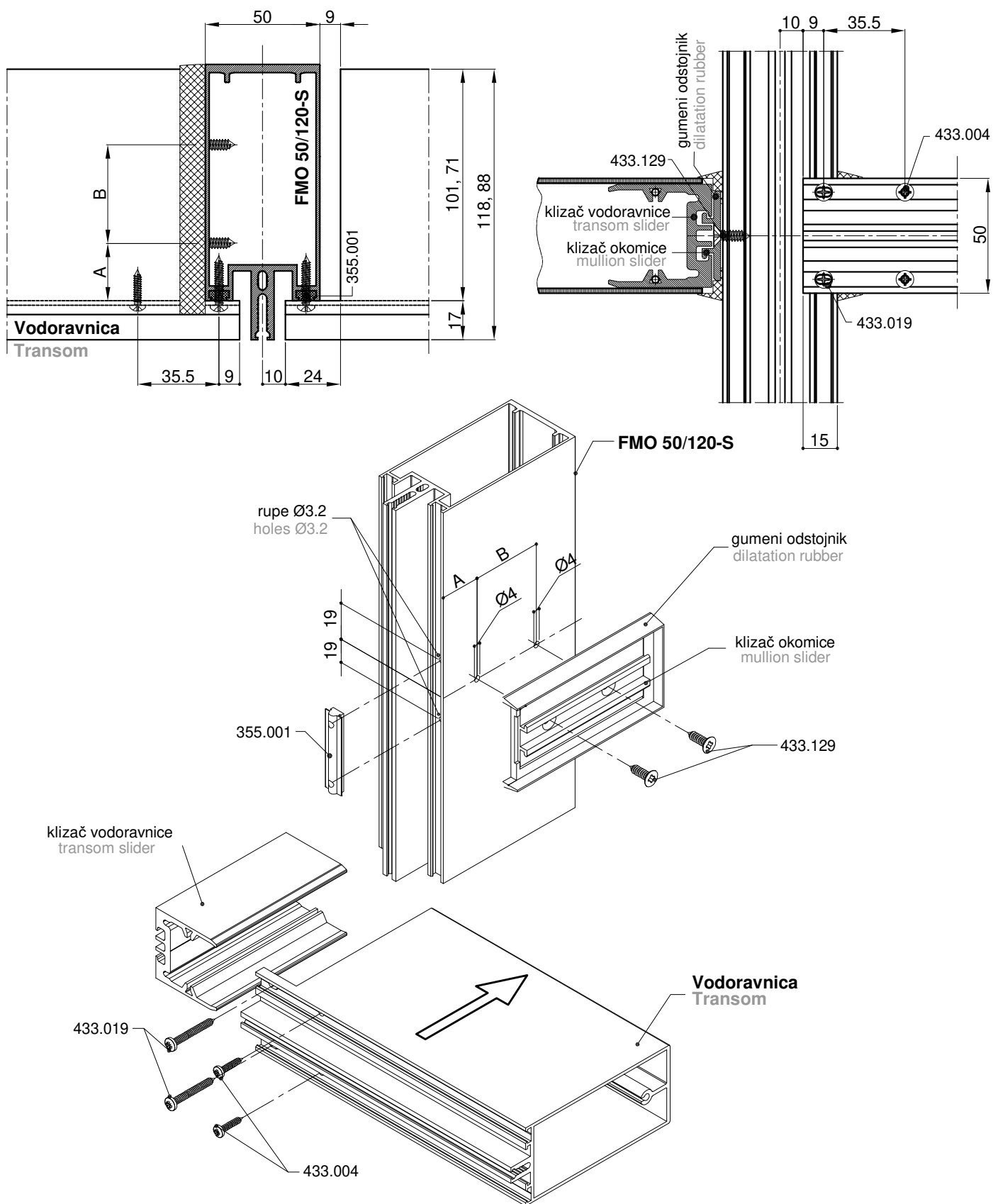
Vodoravnica Transom	Klizač okomice Mullion slider	Klizač vodoravnice Transom slider	Dimenzija A Dimension A	Dimenzija B Dimension B	Dimenzija C Dimension C	Gumeni odstojnik Dilatation rubber
FMV 50/138	720.208	721.217	25 mm	40 mm	40 mm	366.011
FMV 50/118	720.202	721.202	25 mm	44 mm	-	366.033
FMV 50/88	720.201	721.201	25 mm	30 mm	-	366.005

- Obrada okomice **FMO 50/120** za vodoravnicu **FMV 50/118 ili manju** (gumeni odstoynik sa obrubom)
- Processing of mullion **FMO 50/120** for transom **FMV 50/118 or smaller** (rimmed dilatation rubber)



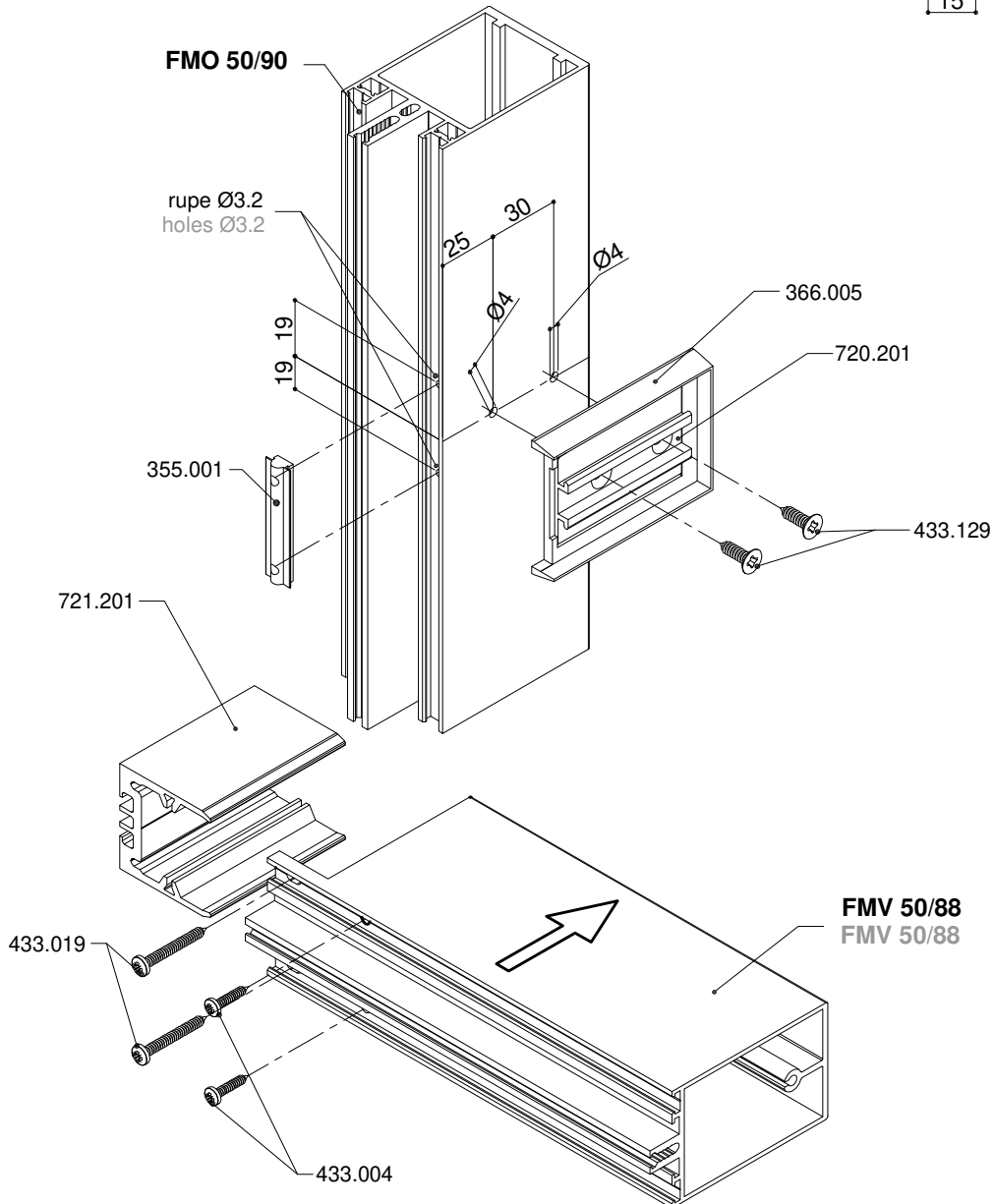
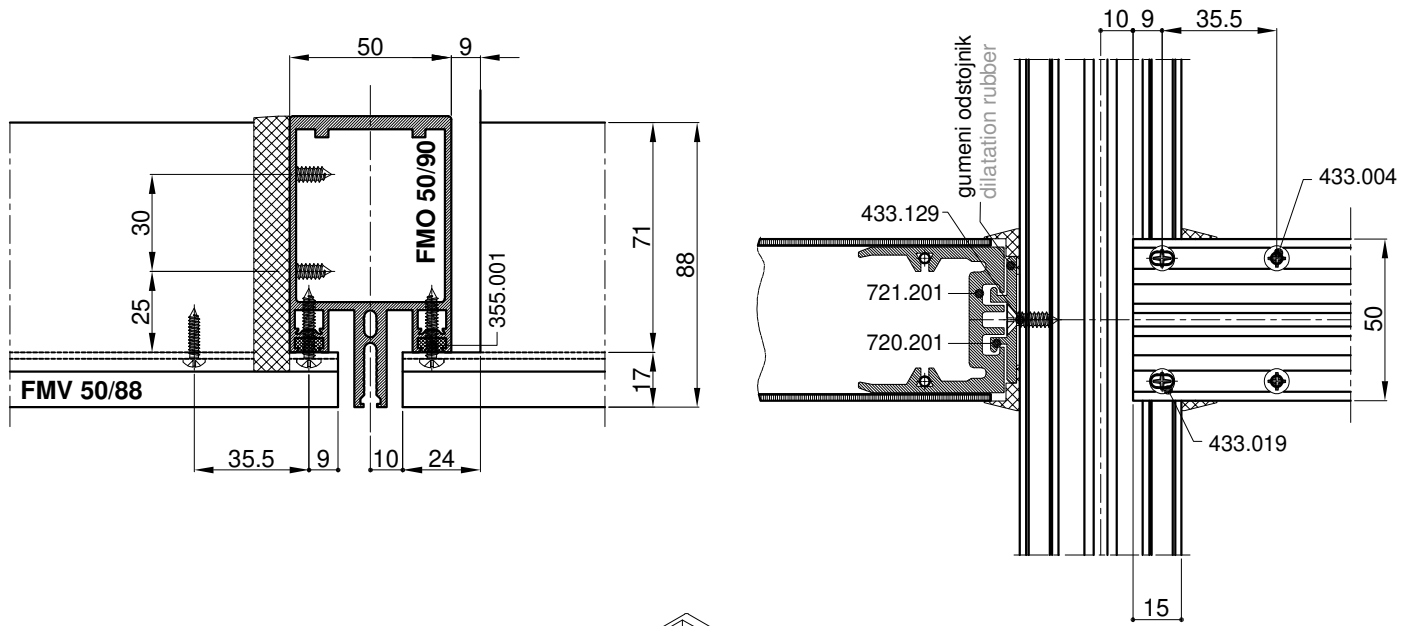
Vodoravnica Transom	Klizač okomice Mullion slider	Klizač vodoravnice Transom slider	Dimenzija A Dimension A	Dimenzija B Dimension B	Dimenzija C Dimension C	Gumeni odstoynik Dilatation rubber
FMV 50/118	720.202	721.202	25 mm	44 mm	-	366.033
FMV 50/88	720.201	721.201	25 mm	30 mm	-	366.005

- Obrada okomice **FMO 50/120-S** za vodoravnicu **FMV 50/118 ili manju** (gumeni odstoynik sa obrubom)
- Processing of mullion **FMO 50/120-S** for transom **FMV 50/118 or smaller** (rimmed dilatation rubber)

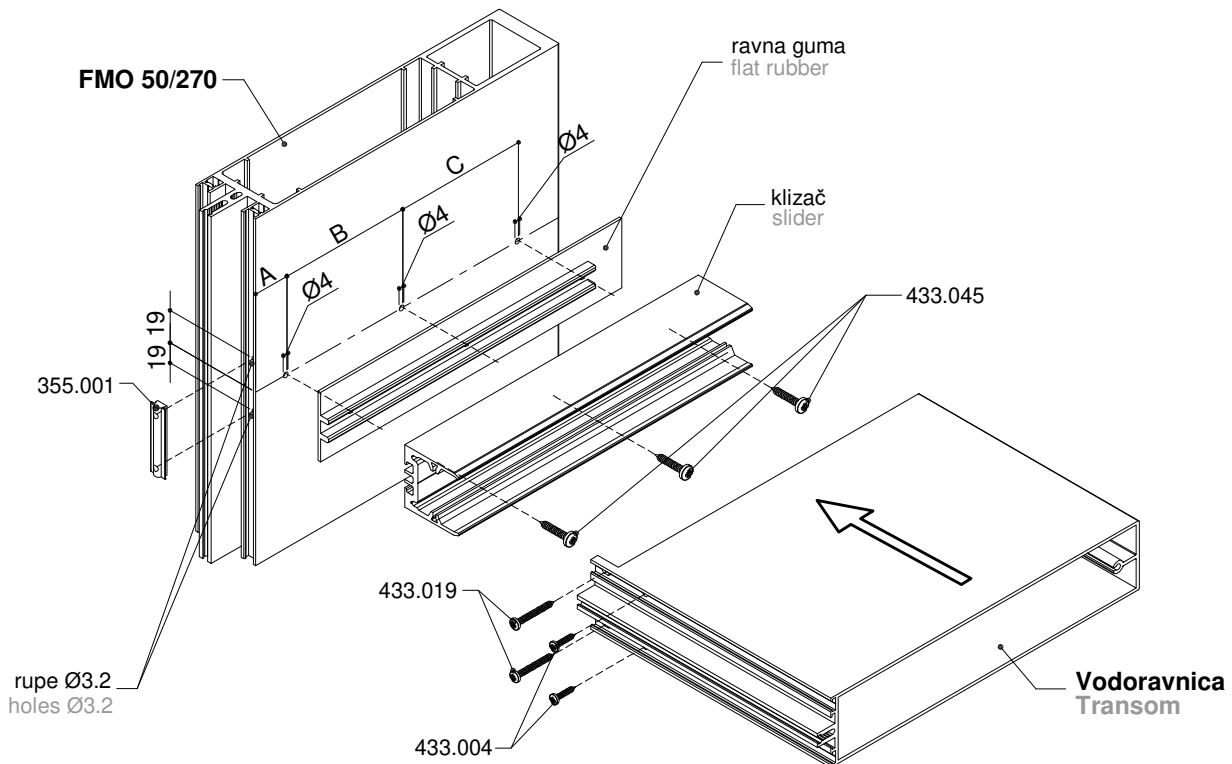
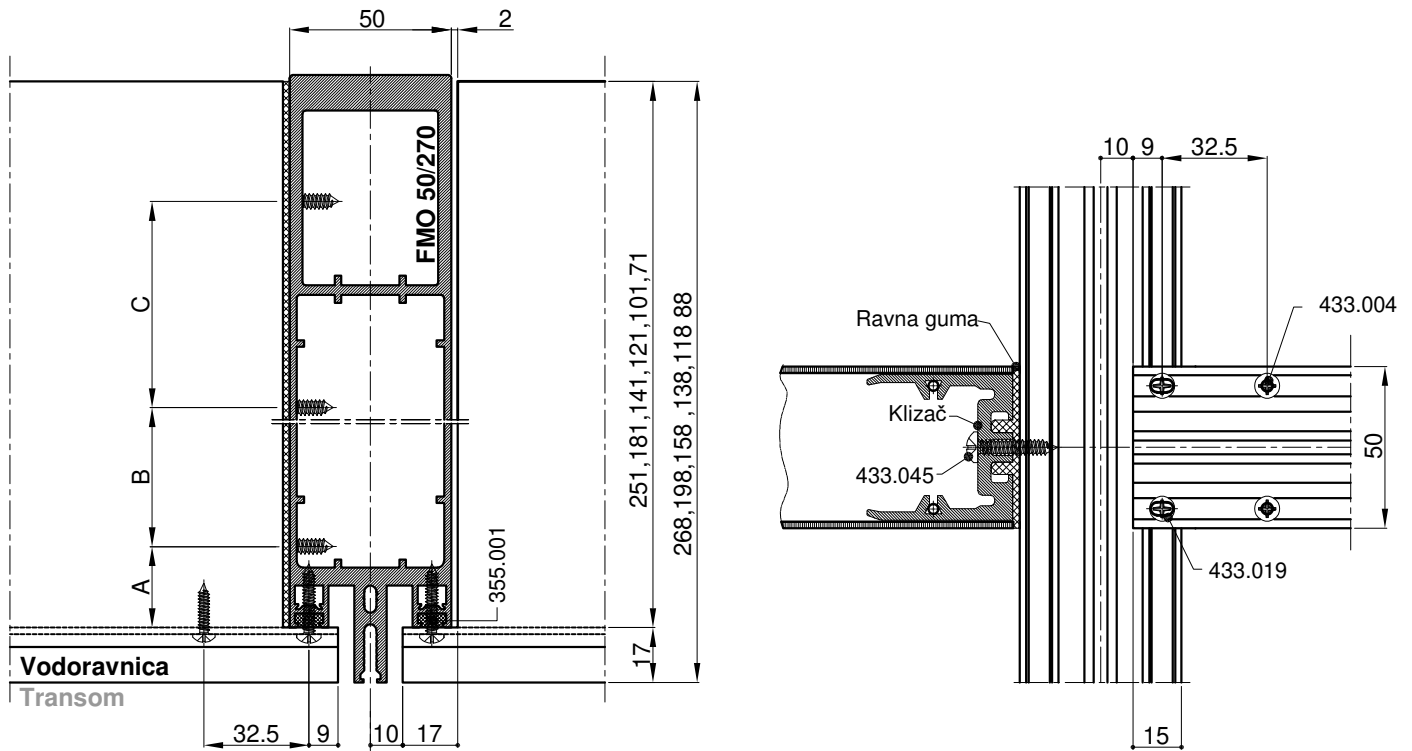


Vodoravnica Transom	Klizač okomice Mullion slider	Klizač vodoravnice Transom slider	Dimenzija A Dimension A	Dimenzija B Dimension B	Dimenzija C Dimension C	Gumeni odstoynik Dilatation rubber
FMV 50/118	720.202	721.202	25 mm	44 mm	-	366.033
FMV 50/88	720.201	721.201	25 mm	30 mm	-	366.005

- Obrada okomice **FMO 50/90** za vodoravnicu **FMV 50/88** (gumeni odstoјnik sa obrubom)
- Processing of mullion **FMO 50/90** for transom **FMV 50/88** (rimmed dilatation rubber)

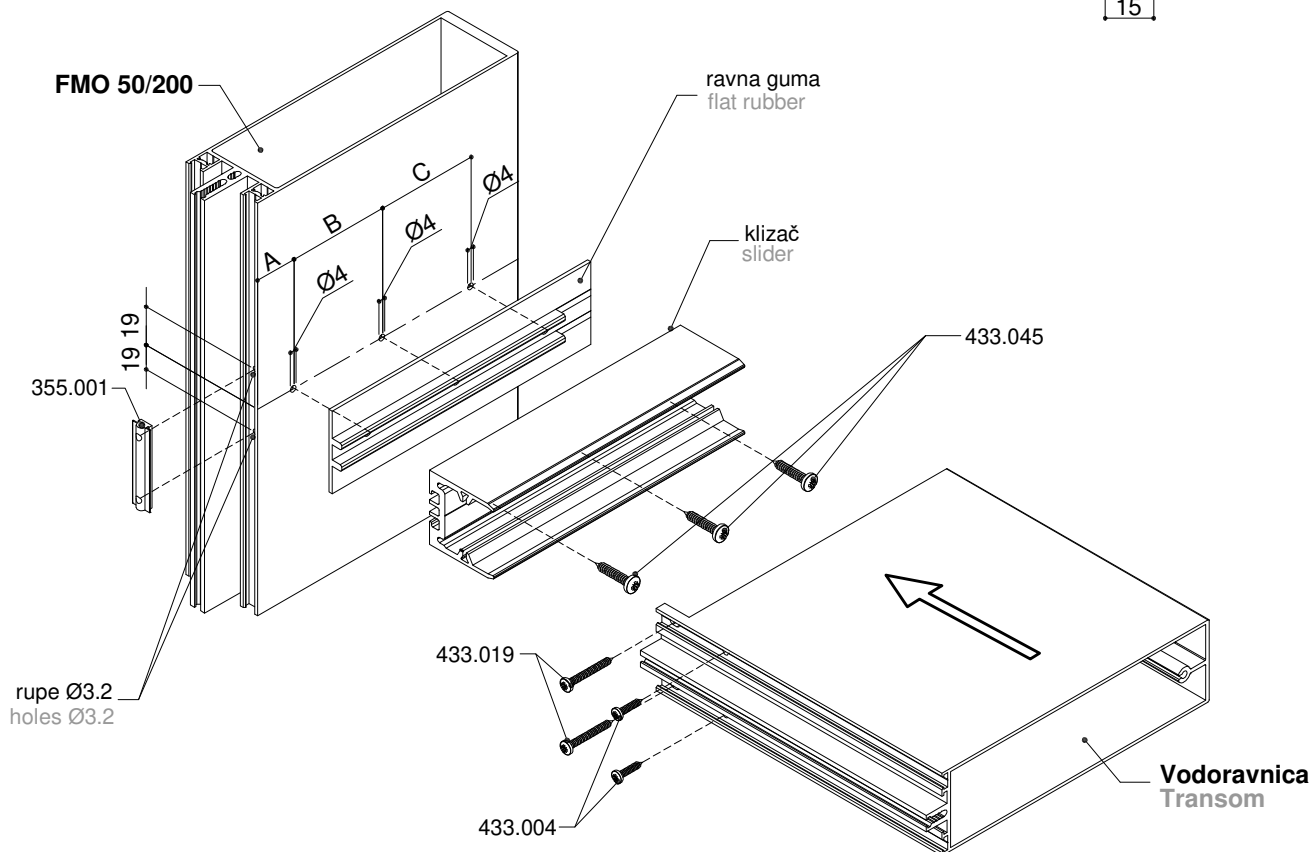
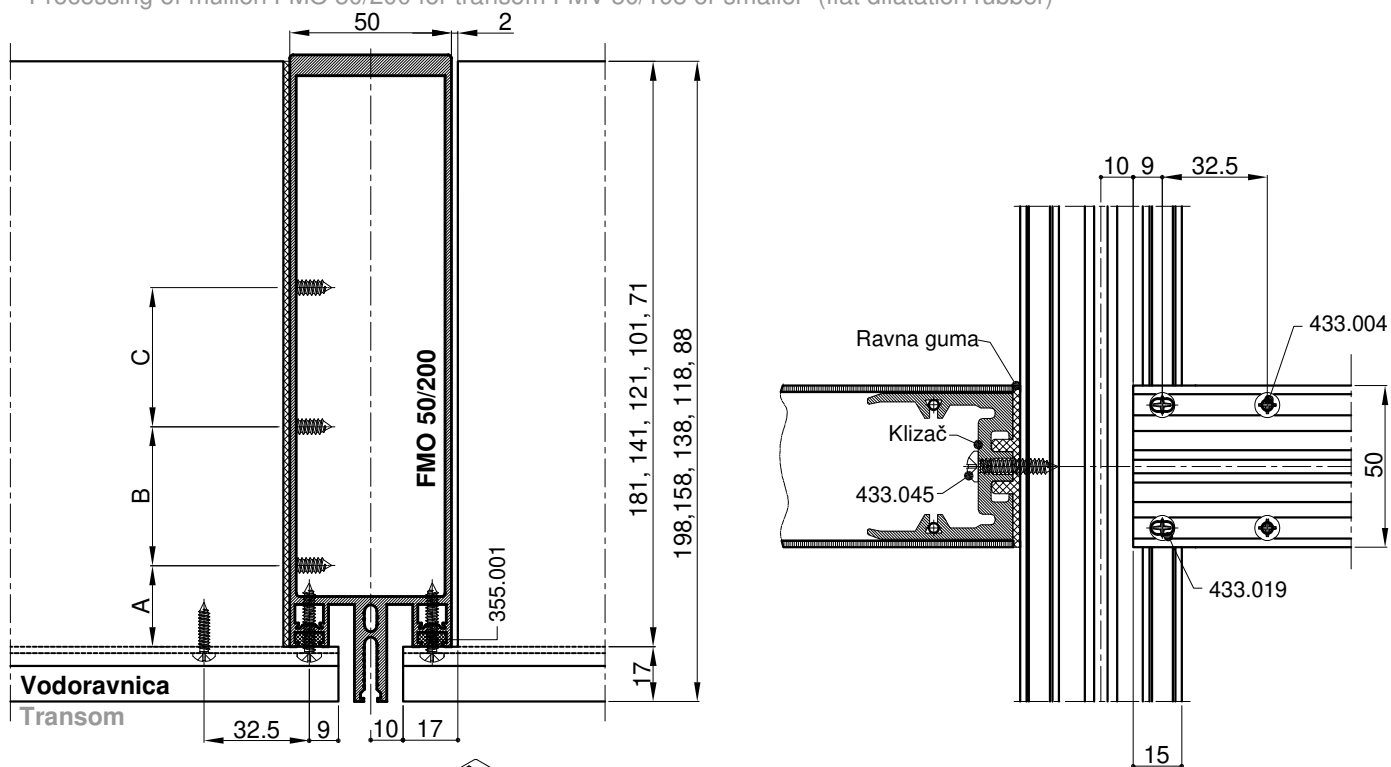


- Obrada okomice **FMO 50/270** za vodoravnicu **FMV 50/268 ili manju** (ravni gumeni odstoynik)
- Processing of mullion **FMO 50/270** for transom **FMV 50/268 or smaller** (flat dilatation rubber)



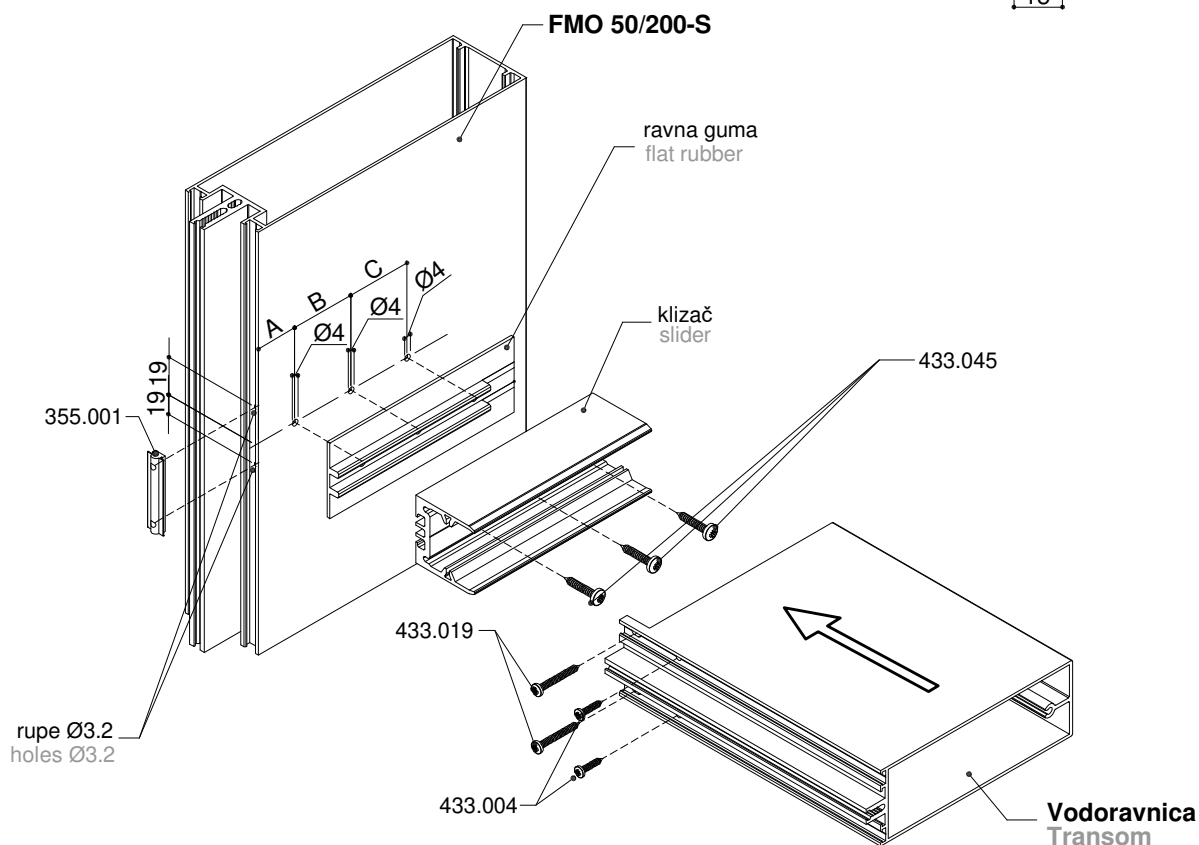
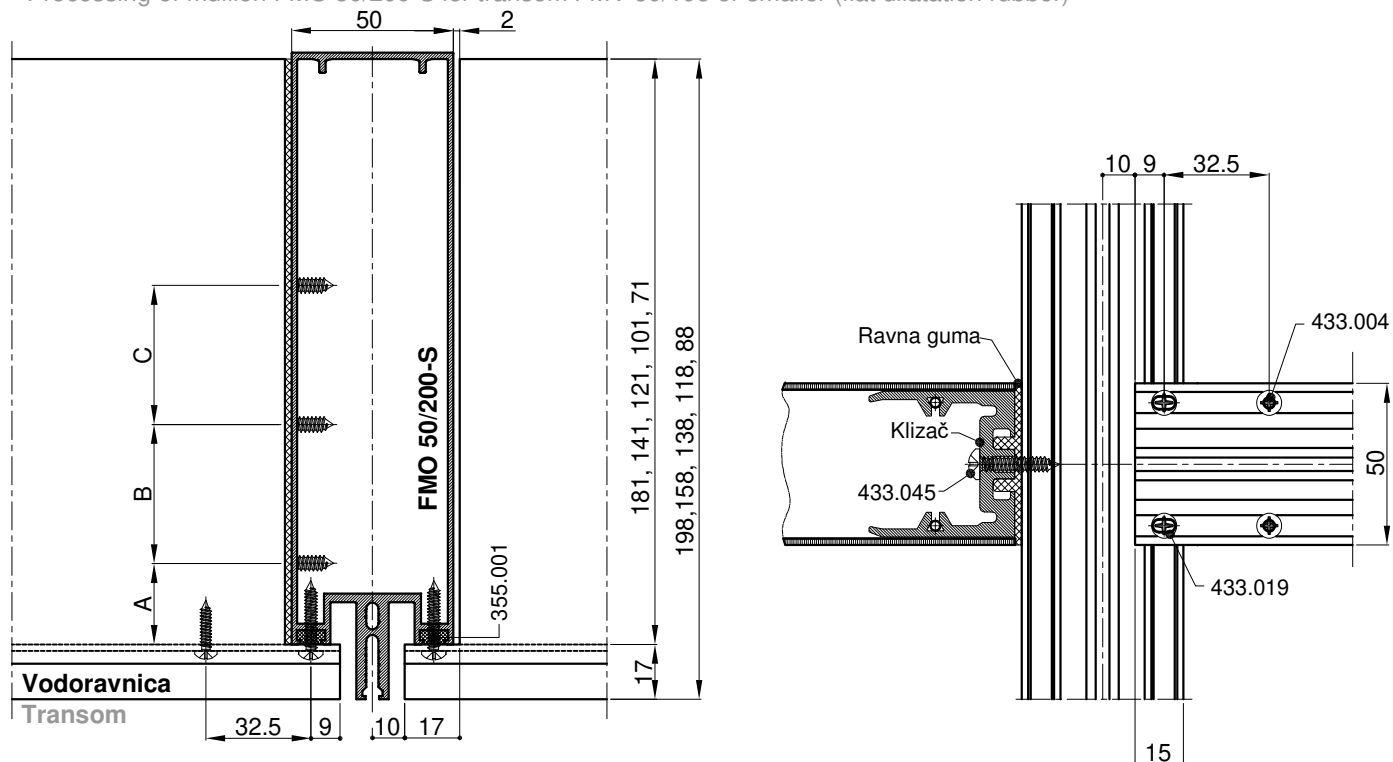
Vodoravnica Transom	Klizač Slider	Dimenzija A Dimension A	Dimenzija B Dimension B	Dimenzija C Dimension C	Ravna guma Flat rubber
FMV 50/268	721.223	25 mm	96,5 mm	96,5 mm	361.032
FMV 50/198	721.211	25 mm	63 mm	63 mm	361.006
FMV 50/158	721.210	25 mm	43 mm	43 mm	361.005
FMV 50/138	721.214	25 mm	43 mm	-	361.011
FMV 50/118	721.209	25 mm	43 mm	-	361.004
FMV 50/88	721.208	20 mm	20 mm	-	361.003

- Obrada okomice **FMO 50/200** za vodoravnicu **FMV 50/198 ili manju** (ravni gumeni odstoynik)
- Processing of mullion **FMO 50/200** for transom **FMV 50/198 or smaller** (flat dilatation rubber)



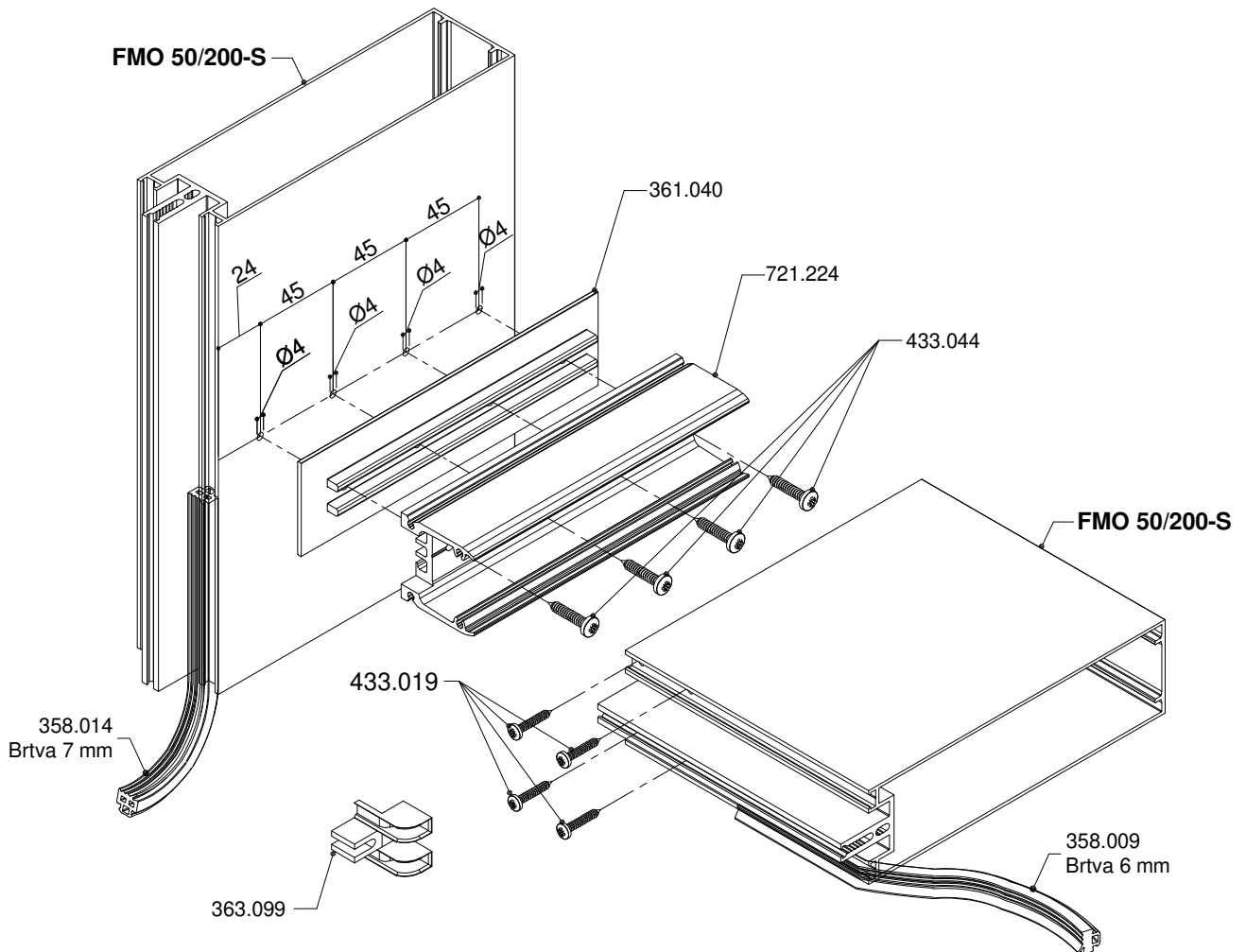
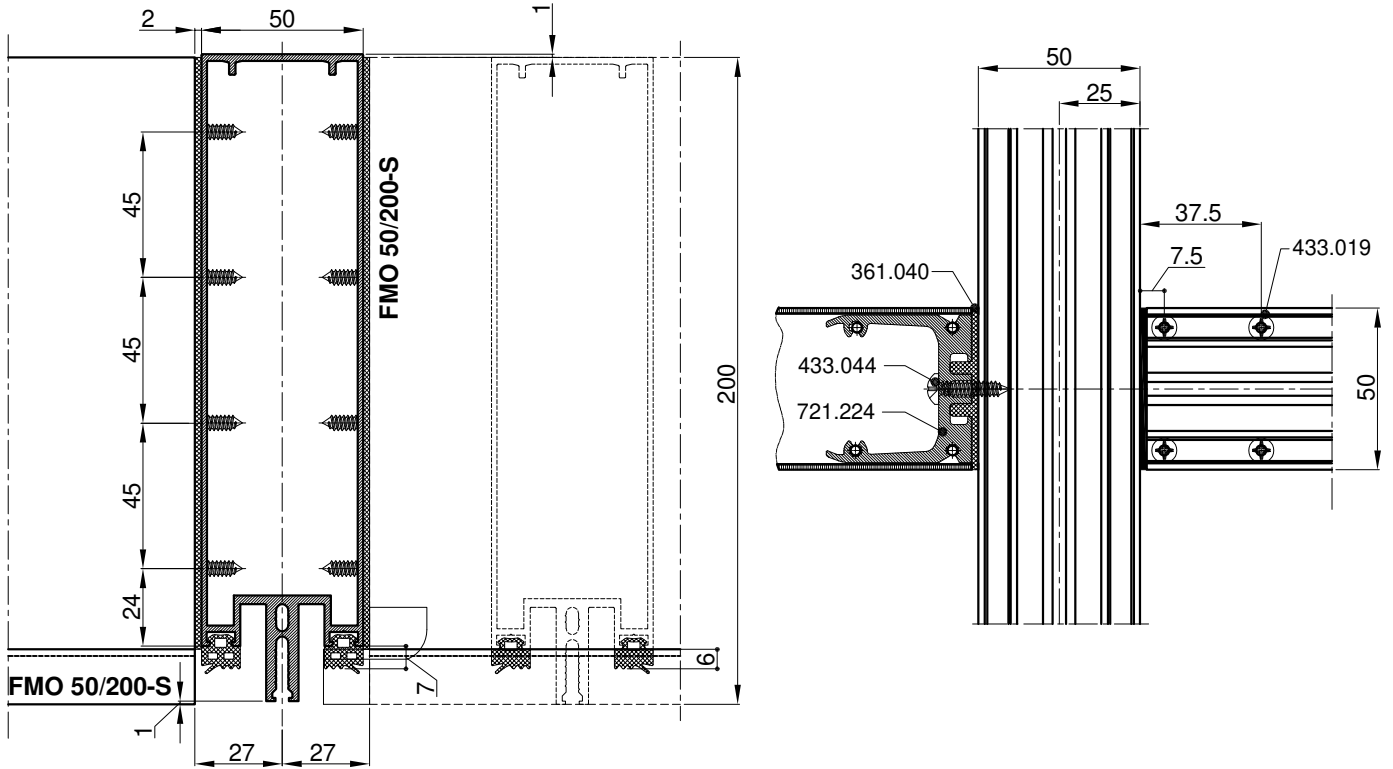
Vodoravnica Transom	Klizač Slider	Dimenzija A Dimension A	Dimenzija B Dimension B	Dimenzija C Dimension C	Ravna guma Flat rubber
FMV 50/198	721.211	25 mm	63 mm	63 mm	361.006
FMV 50/158	721.210	25 mm	43 mm	43 mm	361.005
FMV 50/138	721.214	25 mm	43 mm	-	361.011
FMV 50/118	721.209	25 mm	43 mm	-	361.004
FMV 50/88	721.208	20 mm	20 mm	-	361.003

- Obrada okomice **FMO 50/200-S** za vodoravnicu **FMV 50/198** ili manju (ravni gumeni odstoynik)
- Processing of mullion **FMO 50/200-S** for transom **FMV 50/198** or smaller (flat dilatation rubber)

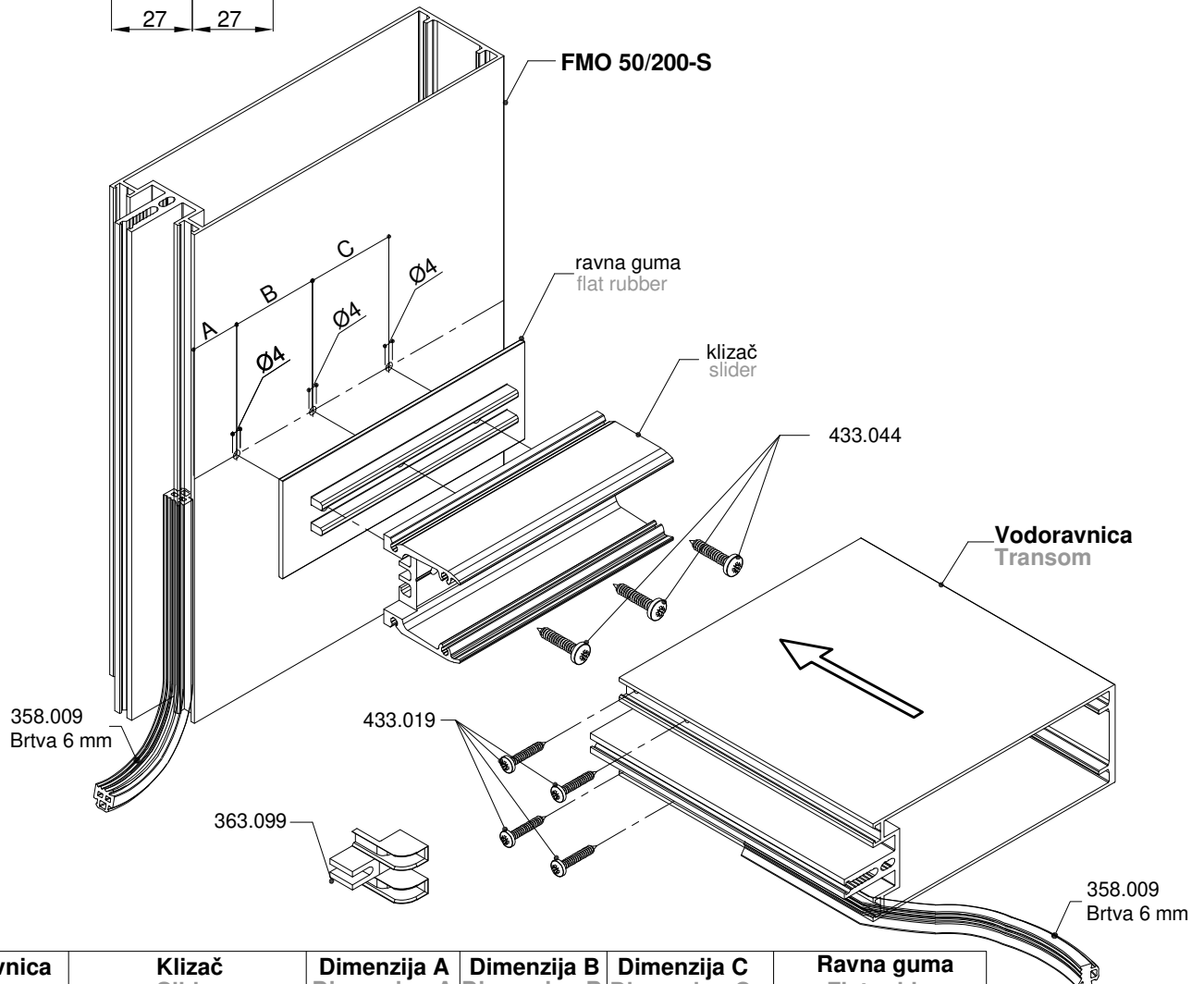
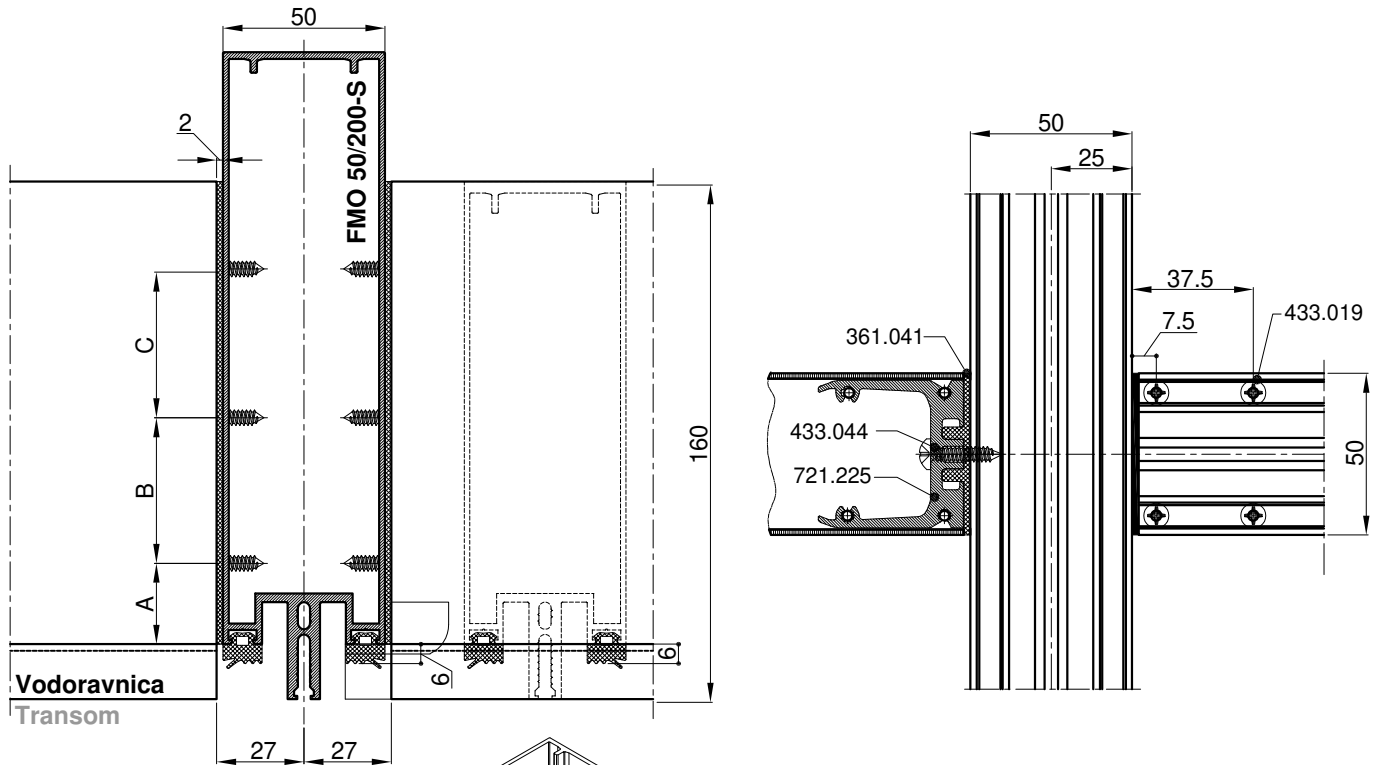


Vodoravnica Transom	Klizač Slider	Dimenzija A Dimension A	Dimenzija B Dimension B	Dimenzija C Dimension C	Ravna guma Flat rubber
FMV 50/198	721.211	25 mm	63 mm	63 mm	361.006
FMV 50/158	721.210	25 mm	43 mm	43 mm	361.005
FMV 50/138	721.214	25 mm	43 mm	-	361.011
FMV 50/118	721.209	25 mm	43 mm	-	361.004
FMV 50/88	721.208	20 mm	20 mm	-	361.003

- Obrada okomice **FMO 50/200-S** za spoj s **FMO 50/200-S** (ravni gumeni odstoynik)
- Processing of mullion **FMO 50/200-S** for connection with **FMO 50/200-S** (flat dilatation rubber)

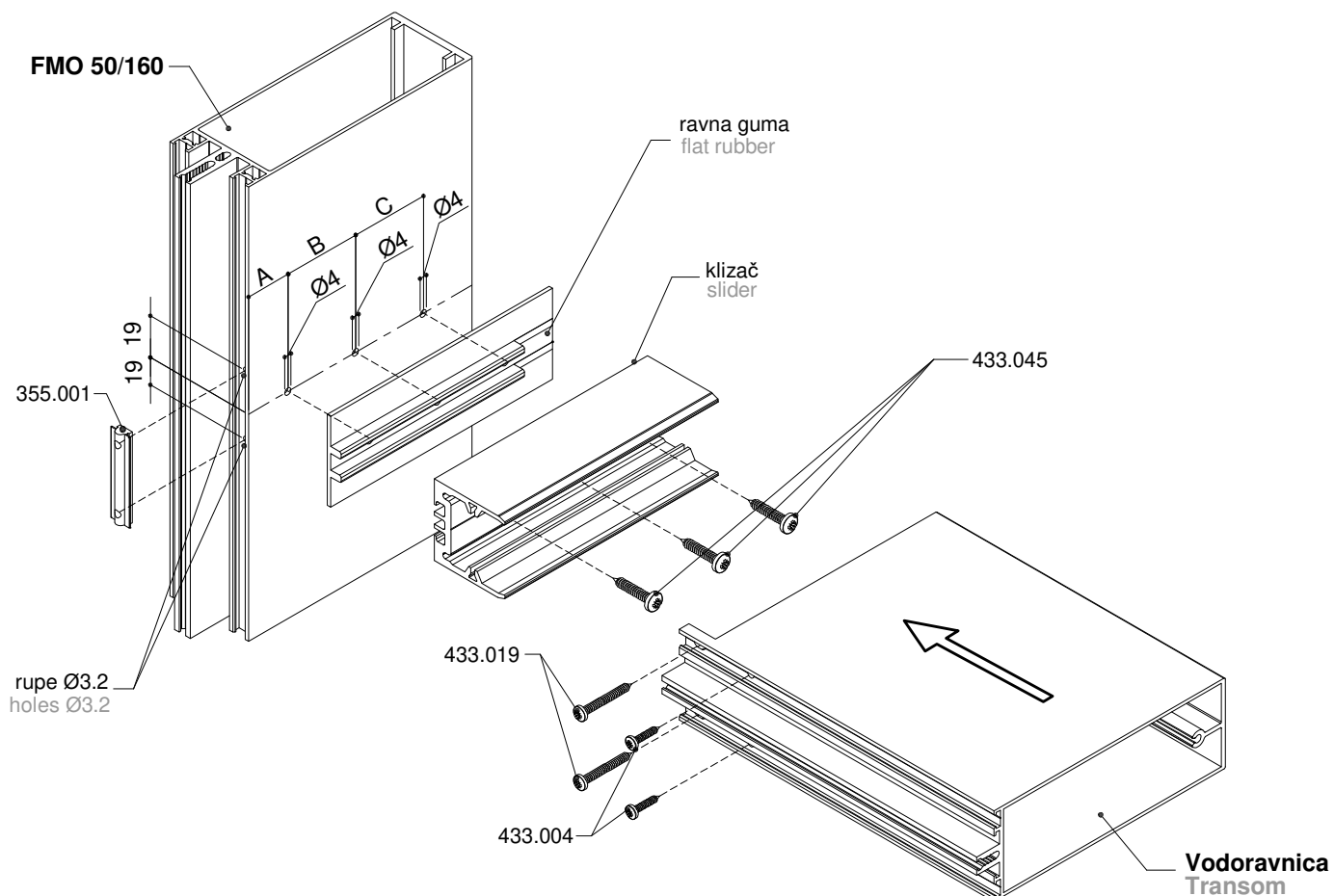
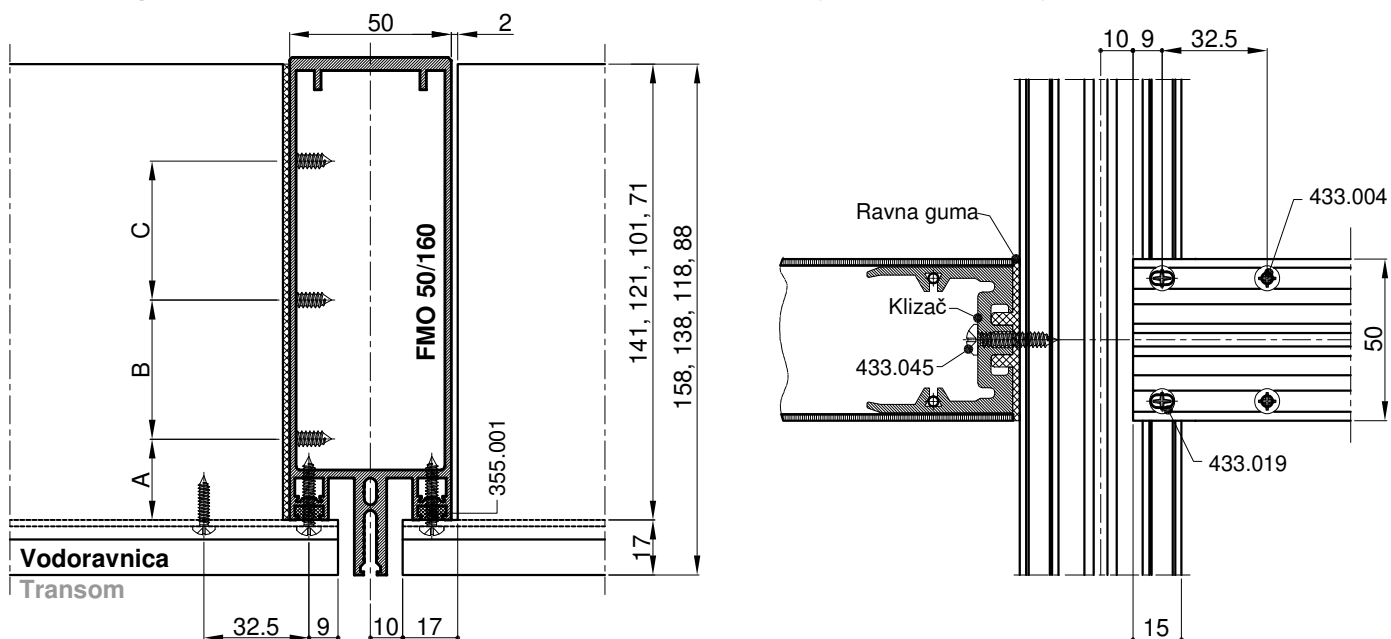


- Obrada okomice **FMO 50/200-S** za spoj s **FMO 50/160-S** ili **manju** (ravni gumeni odstožnik)
- Processing of mullion **FMO 50/200-S** for connection with **FMO 50/160-S** or smaller (flat dilatation rubber)



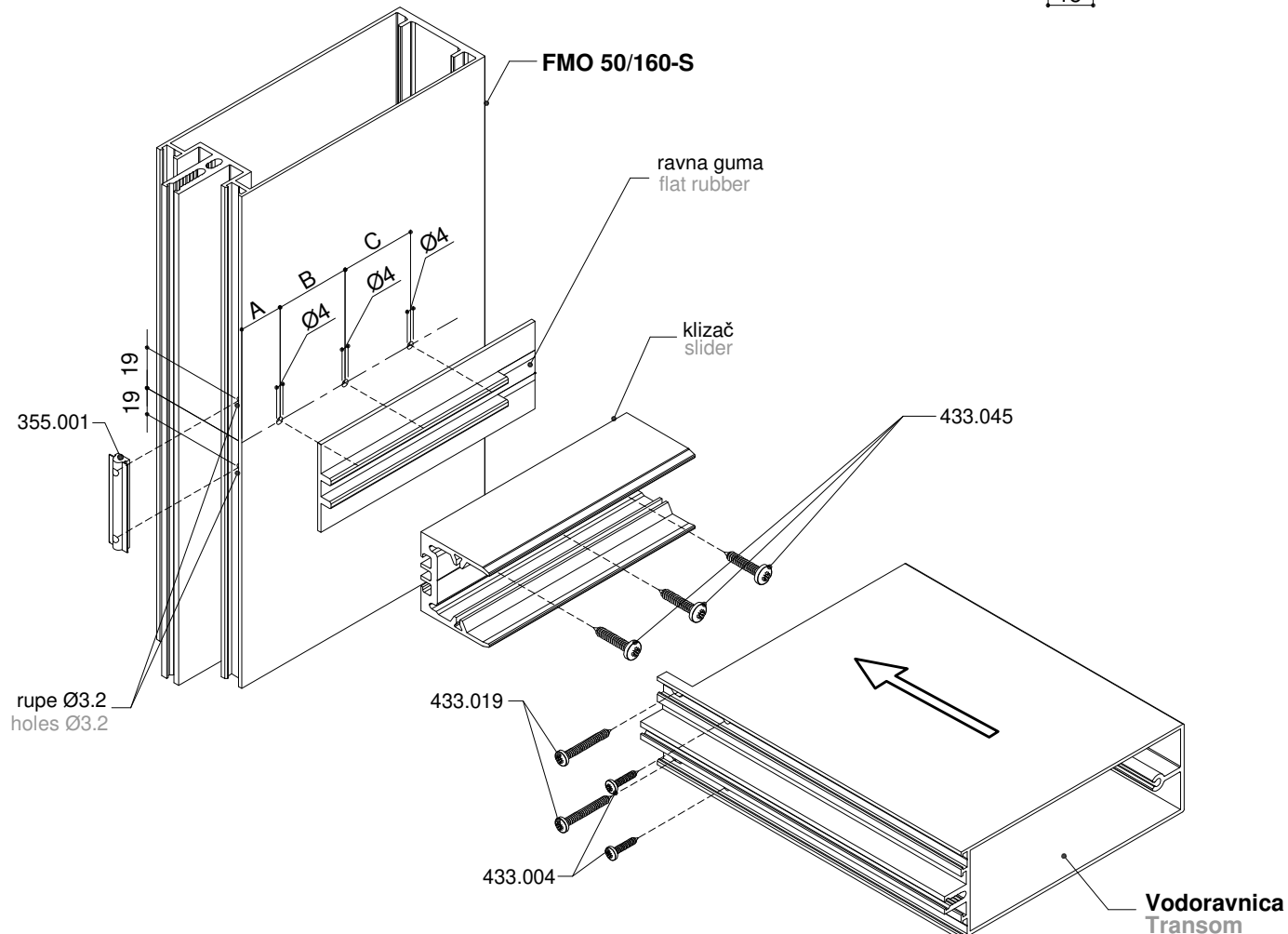
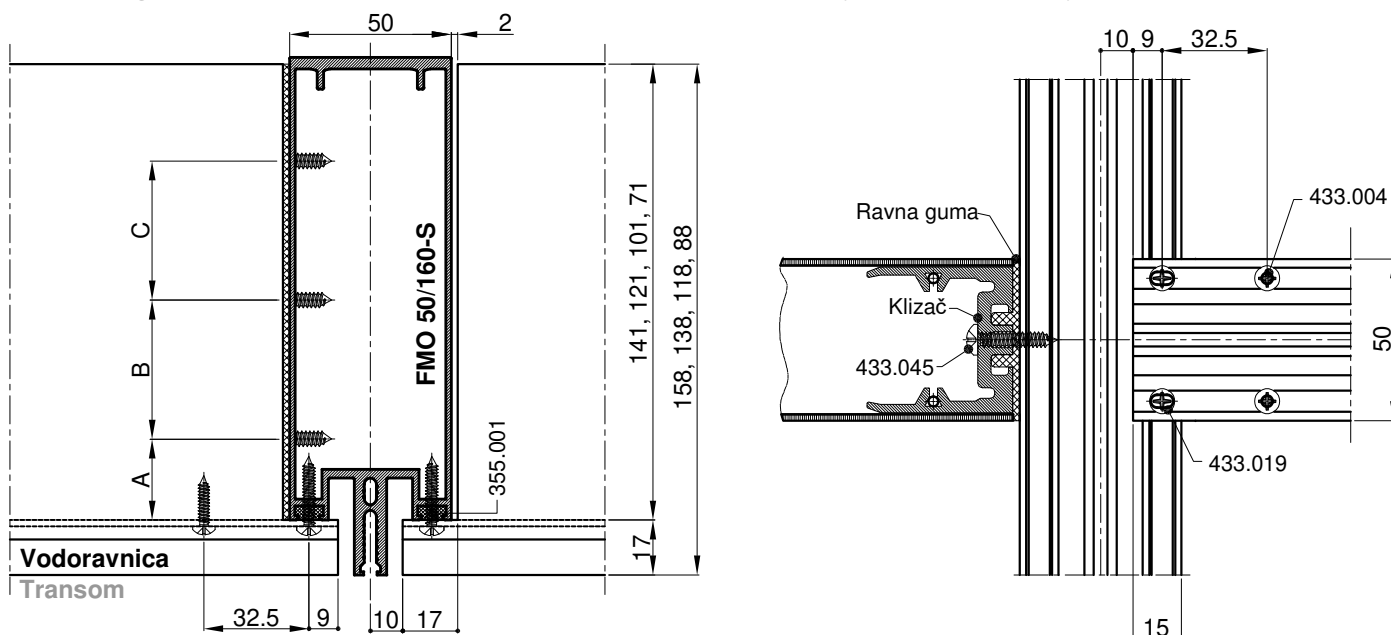
Vodoravnica Transom	Klizač Slider	Dimenzija A Dimension A	Dimenzija B Dimension B	Dimenzija C Dimension C	Ravna guma Flat rubber
FMO 50/160-S	721.225	25 mm	45 mm	45 mm	361.041
FMO 50/120-S	721.226	25 mm	45 mm	-	361.042

- Obrada okomice **FMO 50/160** za vodoravnicu **FMV 50/158 ili manju** (ravni gumeni odstoynik)
- Processing of mullion **FMO 50/160** for transom **FMV 50/158 or smaller** (flat dilatation rubber)



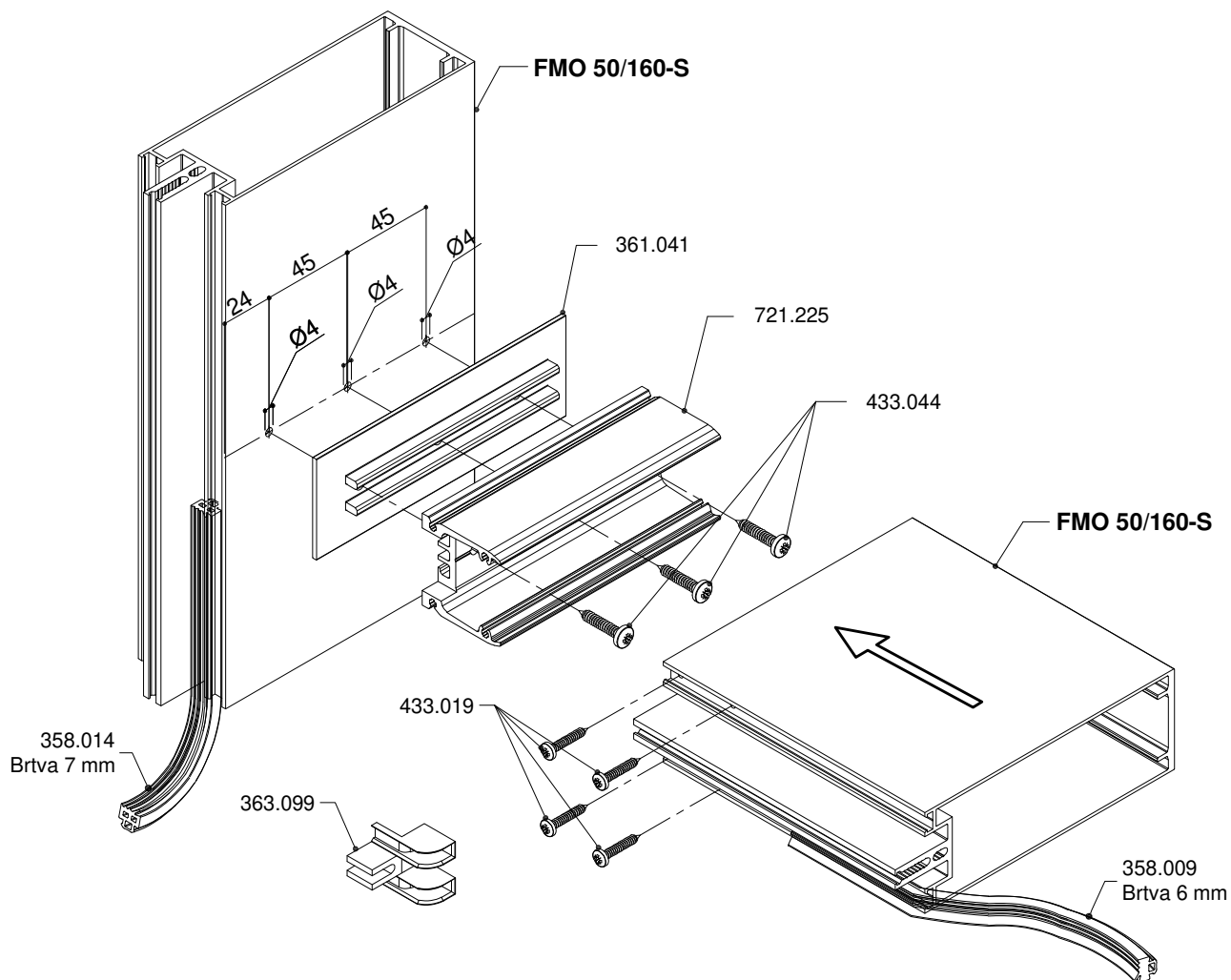
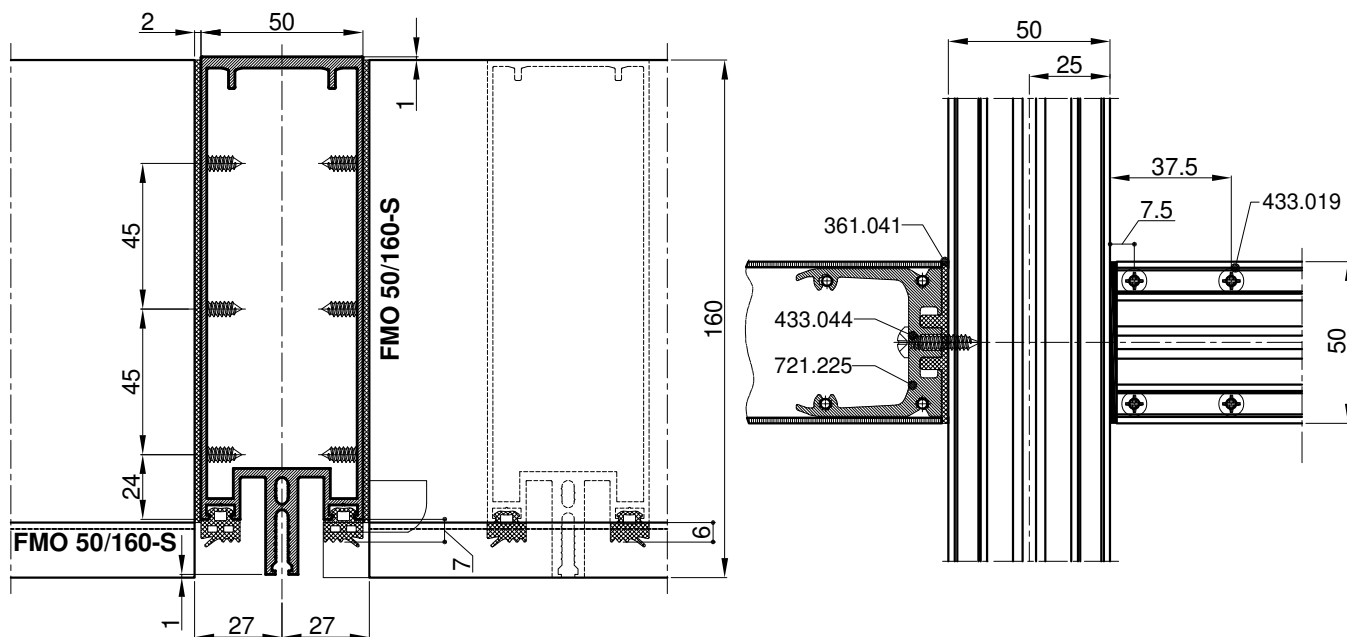
Vodoravnica Transom	Klizač Slider	Dimenzija A Dimension A	Dimenzija B Dimension B	Dimenzija C Dimension C	Ravna guma Flat rubber
FMV 50/158	721.210	25 mm	43 mm	43 mm	361.005
FMV 50/138	721.214	25 mm	43 mm	-	361.011
FMV 50/118	721.209	25 mm	43 mm	-	361.004
FMV 50/88	721.208	20 mm	20 mm	-	361.003

- Obrada okomice **FMO 50/160-S** za vodoravnicu **FMV 50/158 ili manju** (ravni gumeni odstožnik)
- Processing of mullion **FMO 50/160-S** for transom **FMV 50/158 or smaller** (flat dilatation rubber)

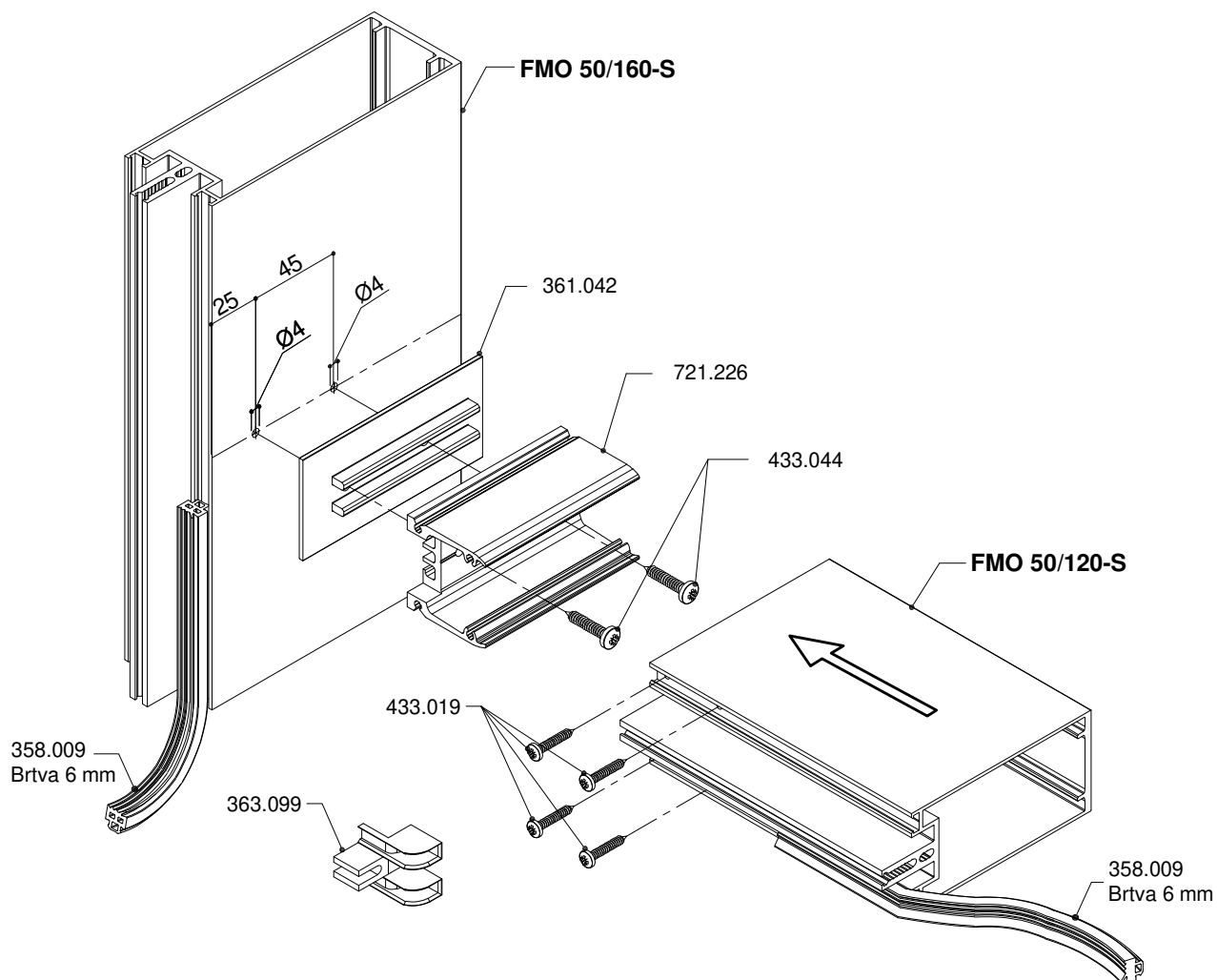
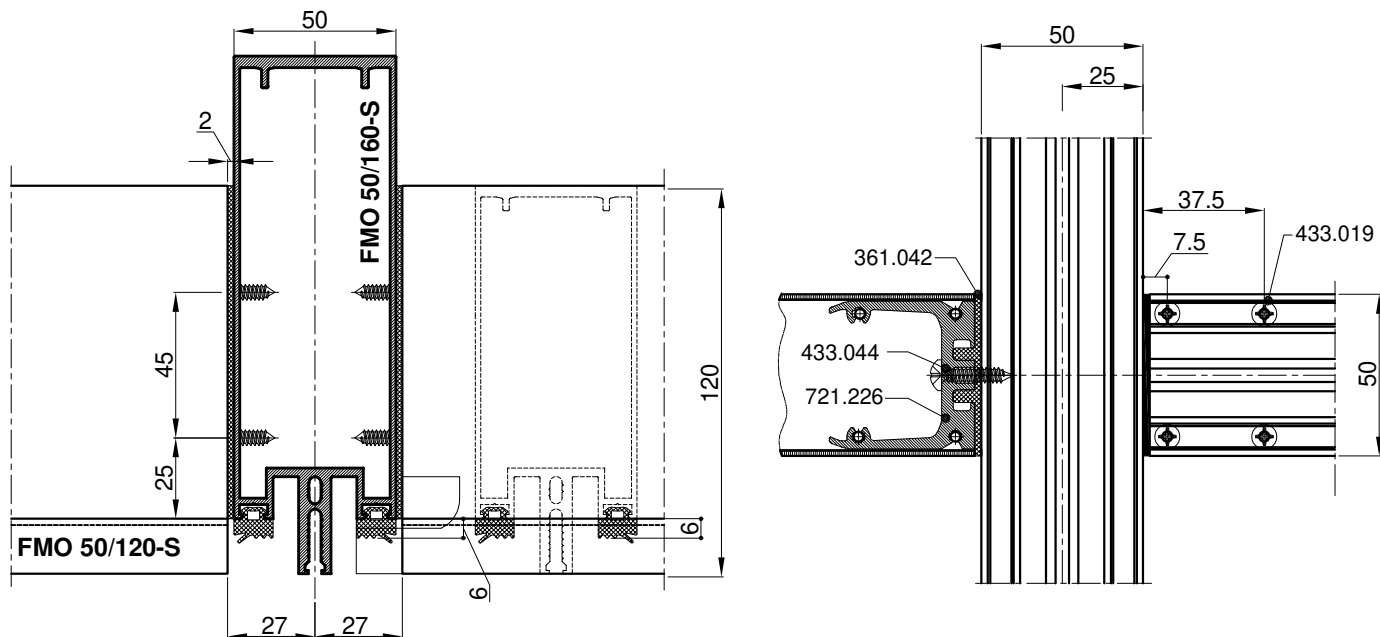


Vodoravnica Transom	Klizač Slider	Dimenzija A Dimension A	Dimenzija B Dimension B	Dimenzija C Dimension C	Ravna guma Flat rubber
FMV 50/158	721.210	25 mm	43 mm	43 mm	361.005
FMV 50/138	721.214	25 mm	43 mm	-	361.011
FMV 50/118	721.209	25 mm	43 mm	-	361.004
FMV 50/88	721.208	20 mm	20 mm	-	361.003

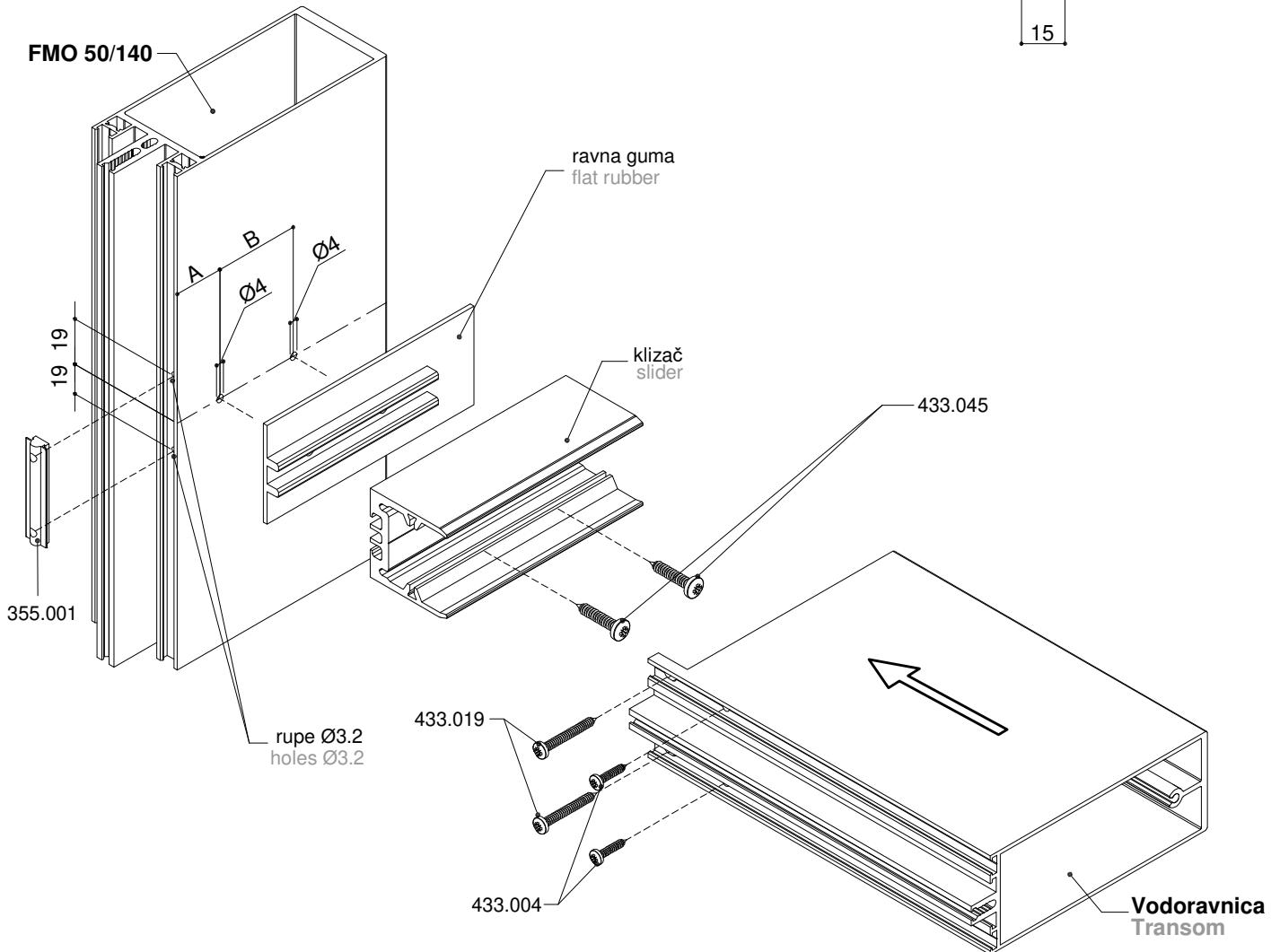
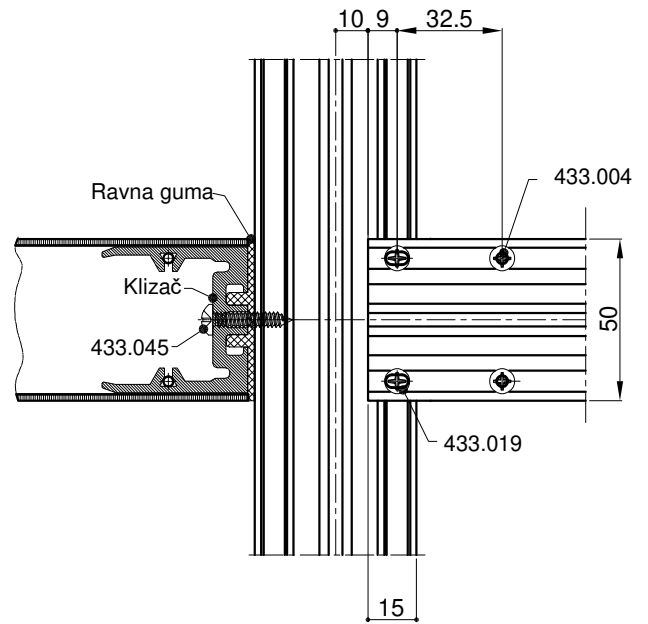
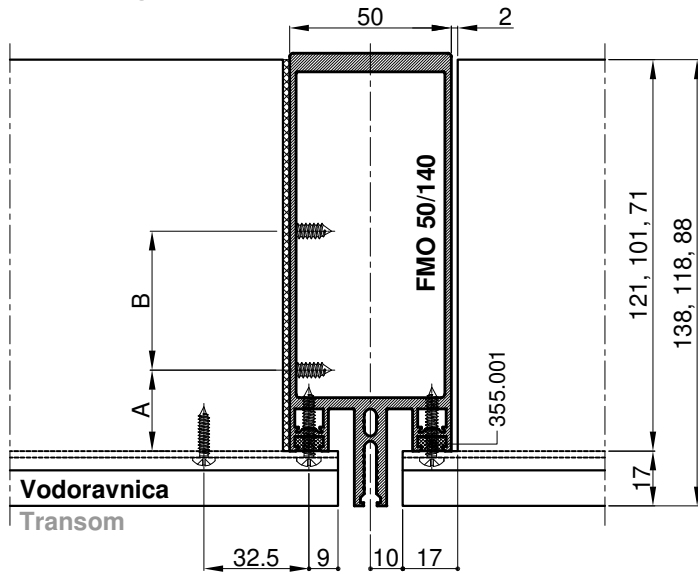
- Obrada okomice **FMO 50/160-S** za spoj s **FMO 50/160-S** (ravni gumeni odstožnik)
- Processing of mullion **FMO 50/160-S** for connection with **FMO 50/160-S** (flat dilatation rubber)



- Obrada okomice **FMO 50/160-S** za spoj s **FMO 50/120-S** (ravni gumeni odstožnik)
- Processing of mullion **FMO 50/160-S** for connection with **FMO 50/120-S** (flat dilatation rubber)

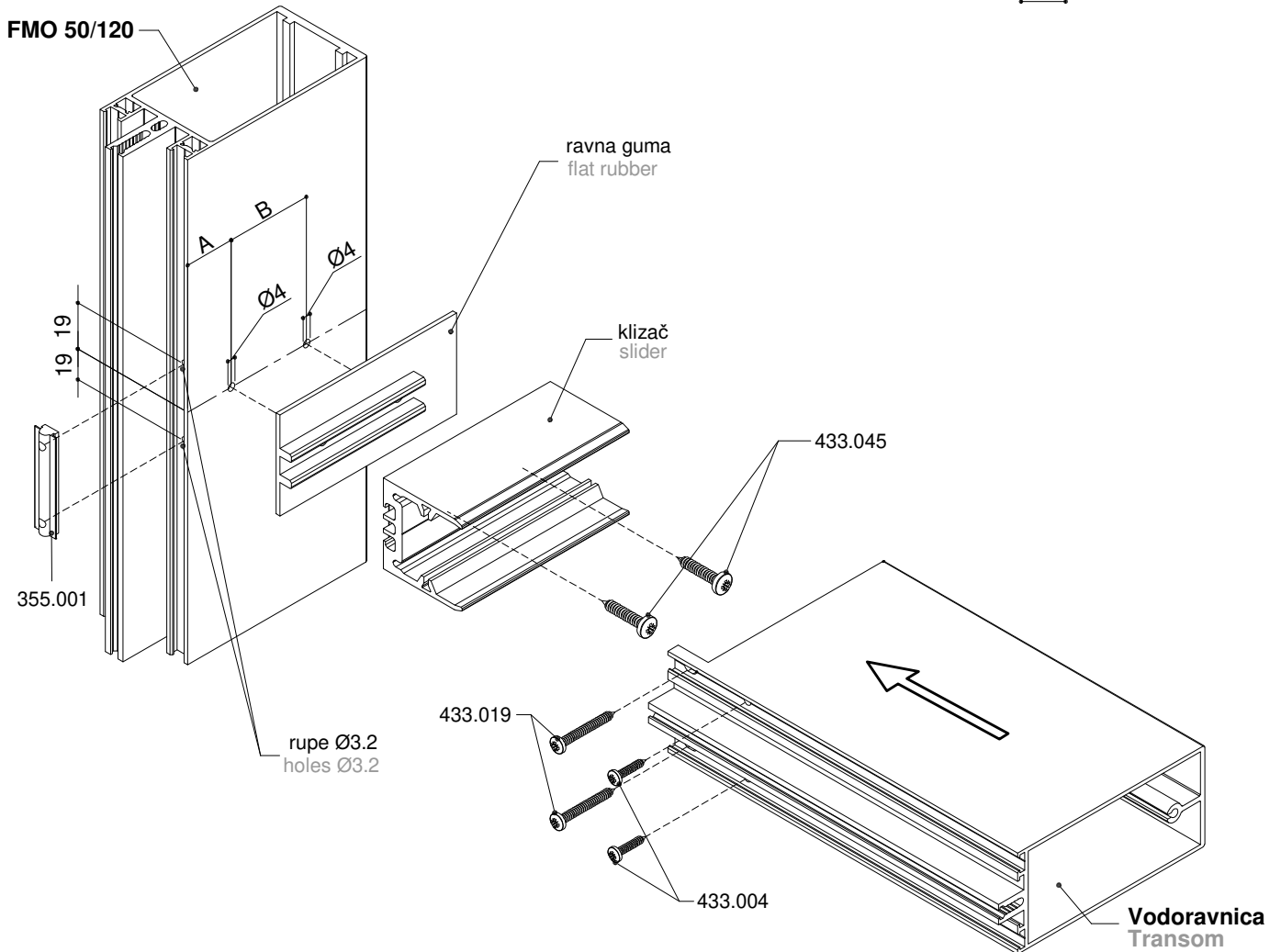
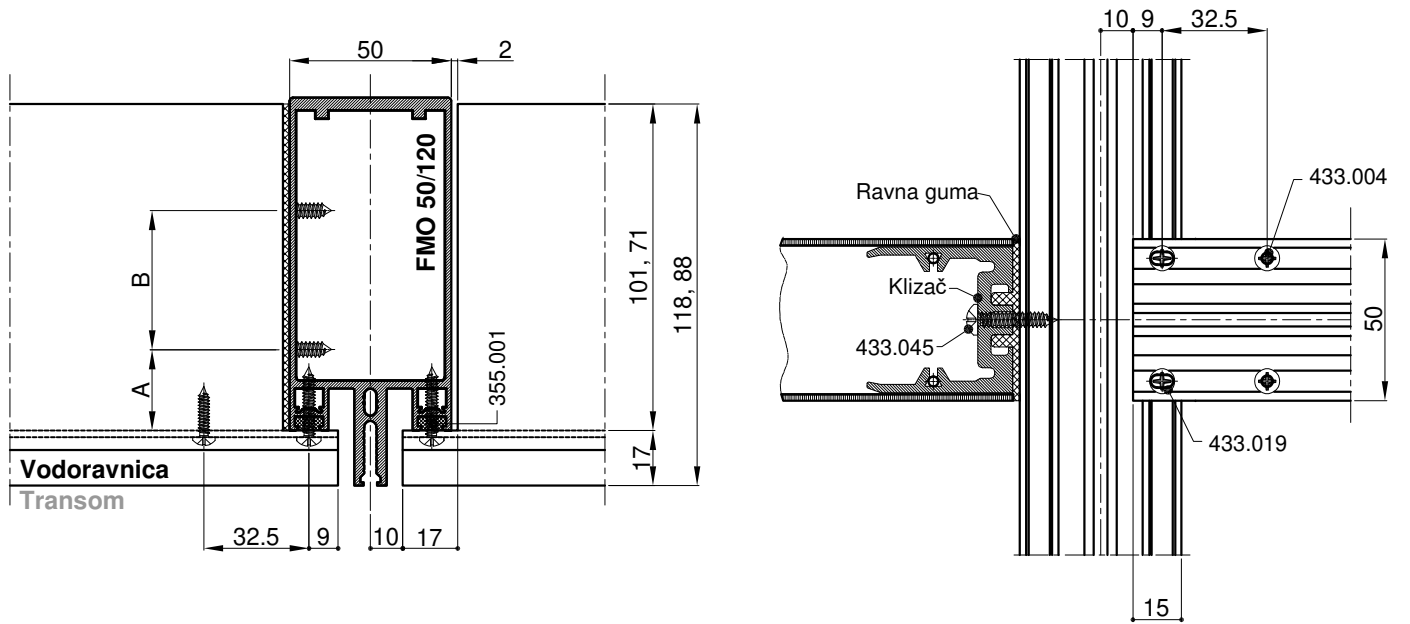


- Obrada okomice **FMO 50/140** za vodoravnicu **FMV 50/138 ili manju** (ravni gumeni odstoynik)
- Processing of mullion **FMO 50/140** for transom **FMV 50/138 or smaller** (flat dilatation rubber)



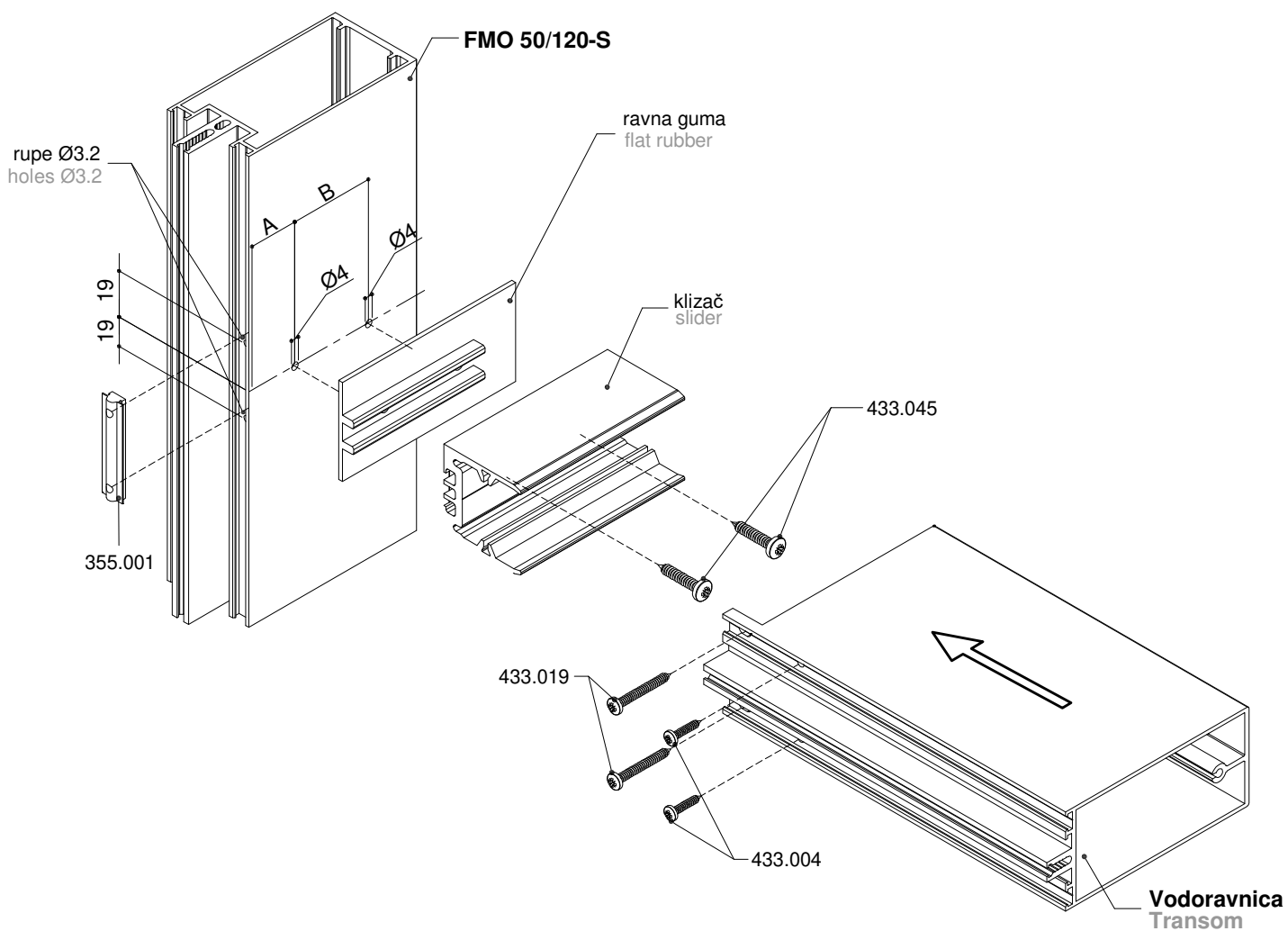
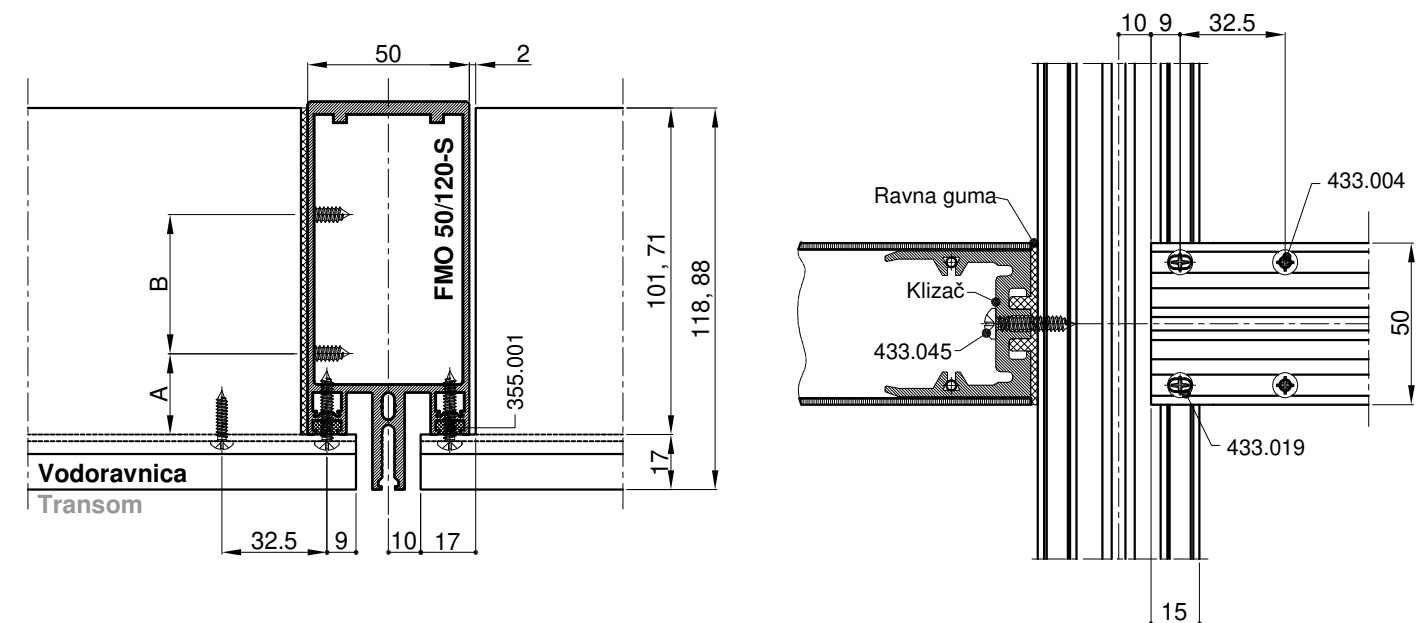
Vodoravnica Transom	Klizač Slider	Dimenzija A Dimension A	Dimenzija B Dimension B	Dimenzija C Dimension C	Ravna guma Flat rubber
FMV 50/138	721.214	25 mm	43 mm	-	361.011
FMV 50/118	721.209	25 mm	43 mm	-	361.004
FMV 50/88	721.208	20 mm	20 mm	-	361.003

- Obrada okomice **FMO 50/120** za vodoravnicu **FMV 50/118 ili manju** (ravni gumeni odstoynik)
- Processing of mullion **FMO 50/120** for transom **FMV 50/118 or smaller** (flat dilatation rubber)



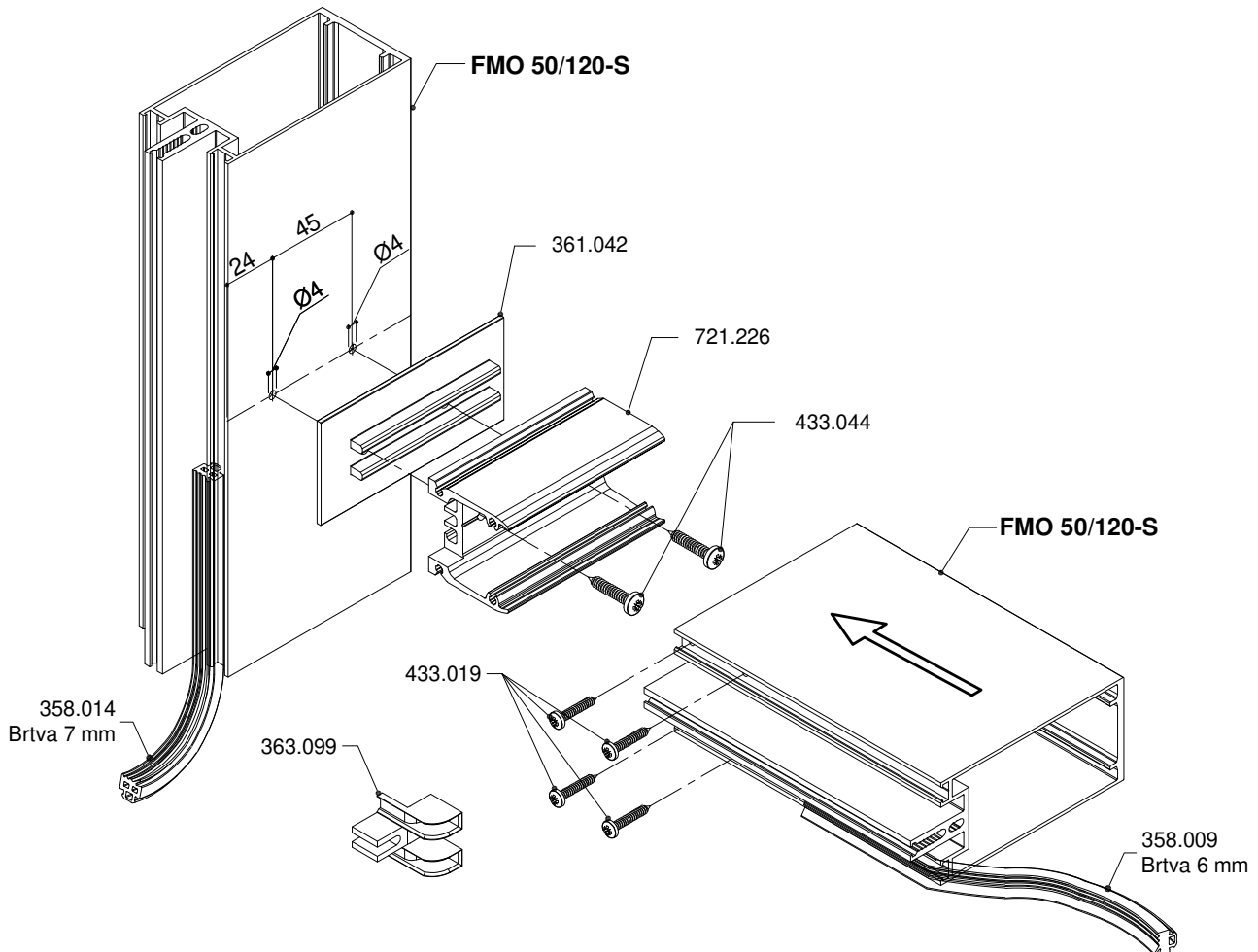
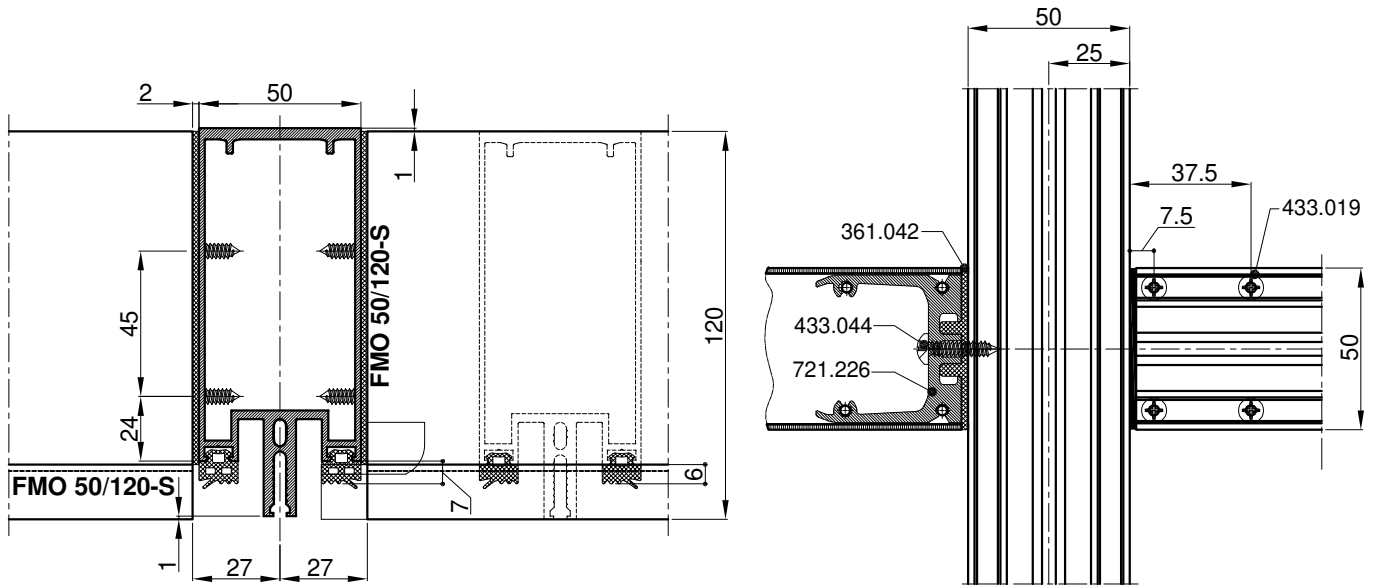
Vodoravnica Transom	Klizač Slider	Dimenzija A Dimension A	Dimenzija B Dimension B	Dimenzija C Dimension C	Ravna guma Flat rubber
FMV 50/118	721.209	25 mm	43 mm	-	361.004
FMV 50/88	721.208	20 mm	20 mm	-	361.003

- Obrada okomice **FMO 50/120-S** za vodoravnicu **FMV 50/118 ili manju** (ravni gumeni odstožnik)
- Processing of mullion **FMO 50/120-S** for transom **FMV 50/118 or smaller** (flat dilatation rubber)

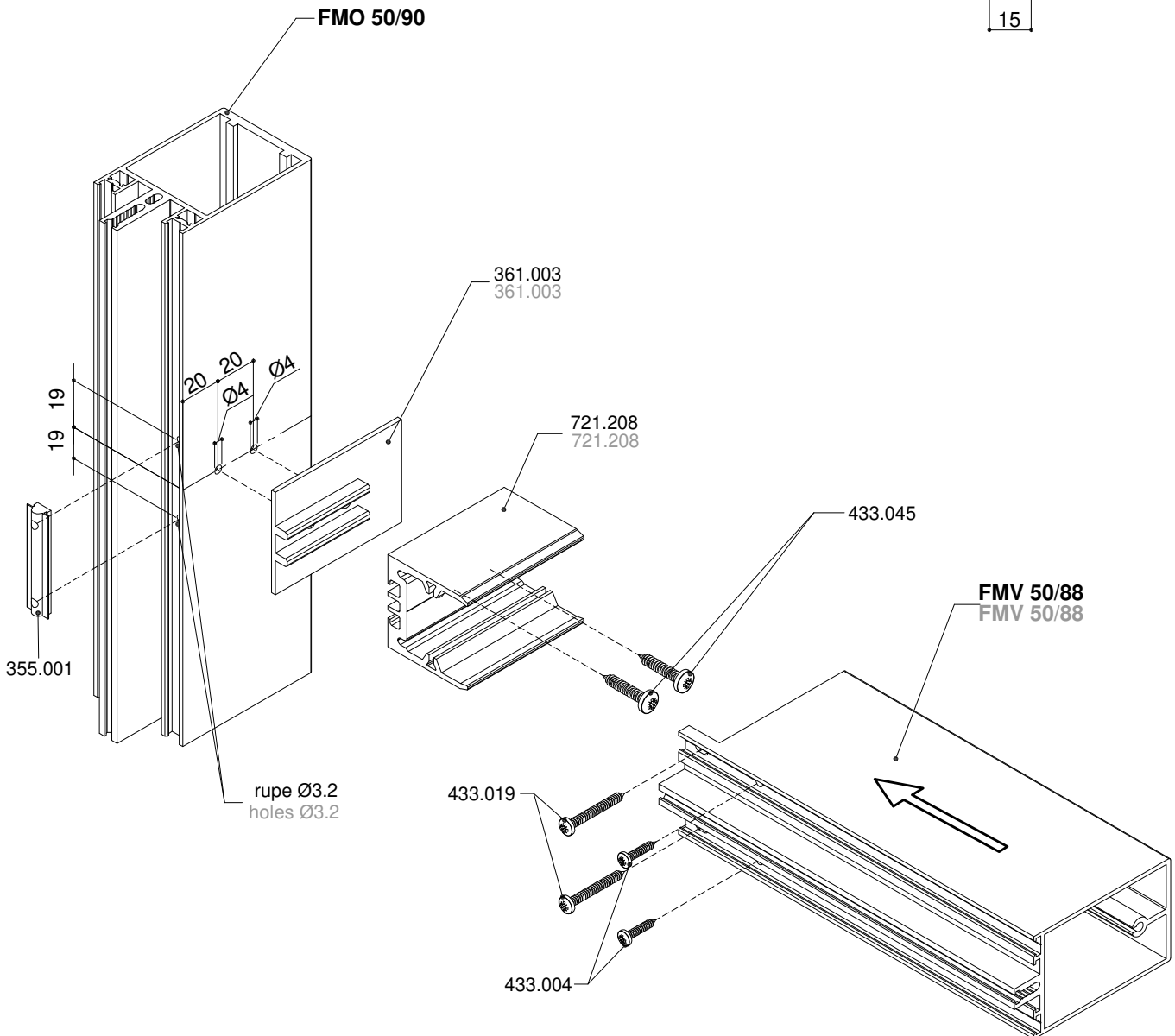
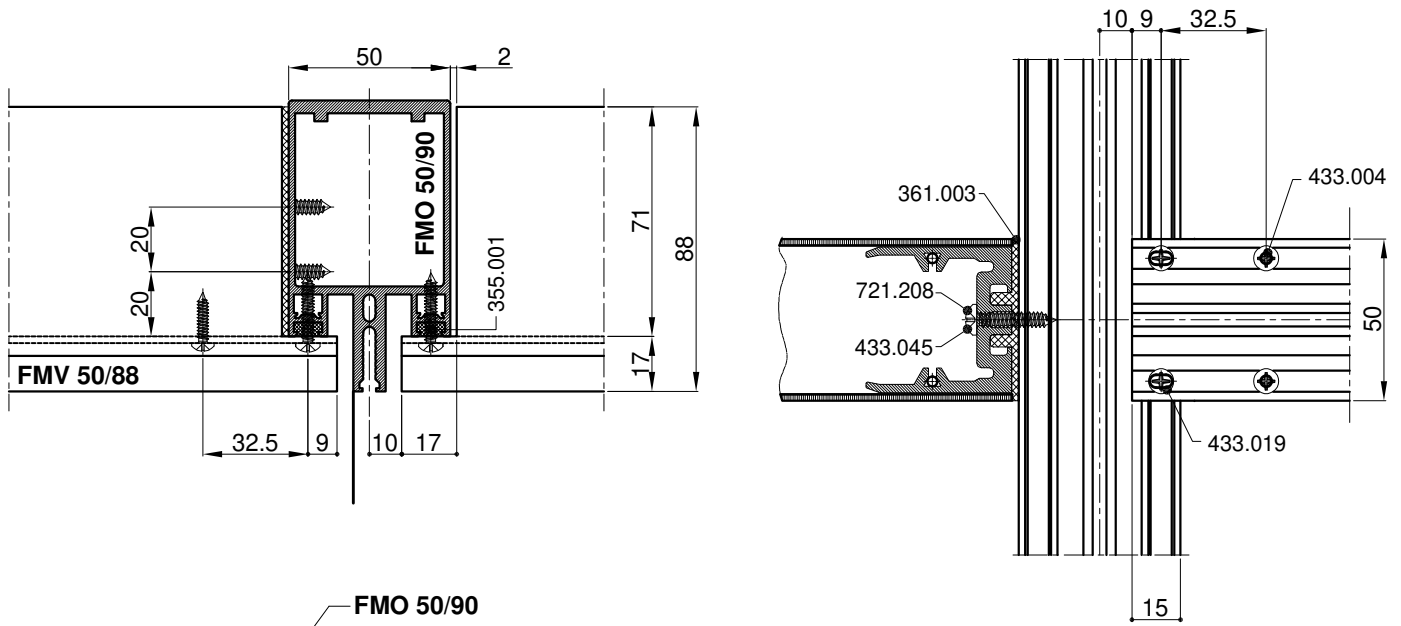


Vodoravnica Transom	Klizač Slider	Dimenzija A Dimension A	Dimenzija B Dimension B	Dimenzija C Dimension C	Ravna guma Flat rubber
FMV 50/118	721.209	25 mm	43 mm	-	361.004
FMV 50/88	721.208	20 mm	20 mm	-	361.003

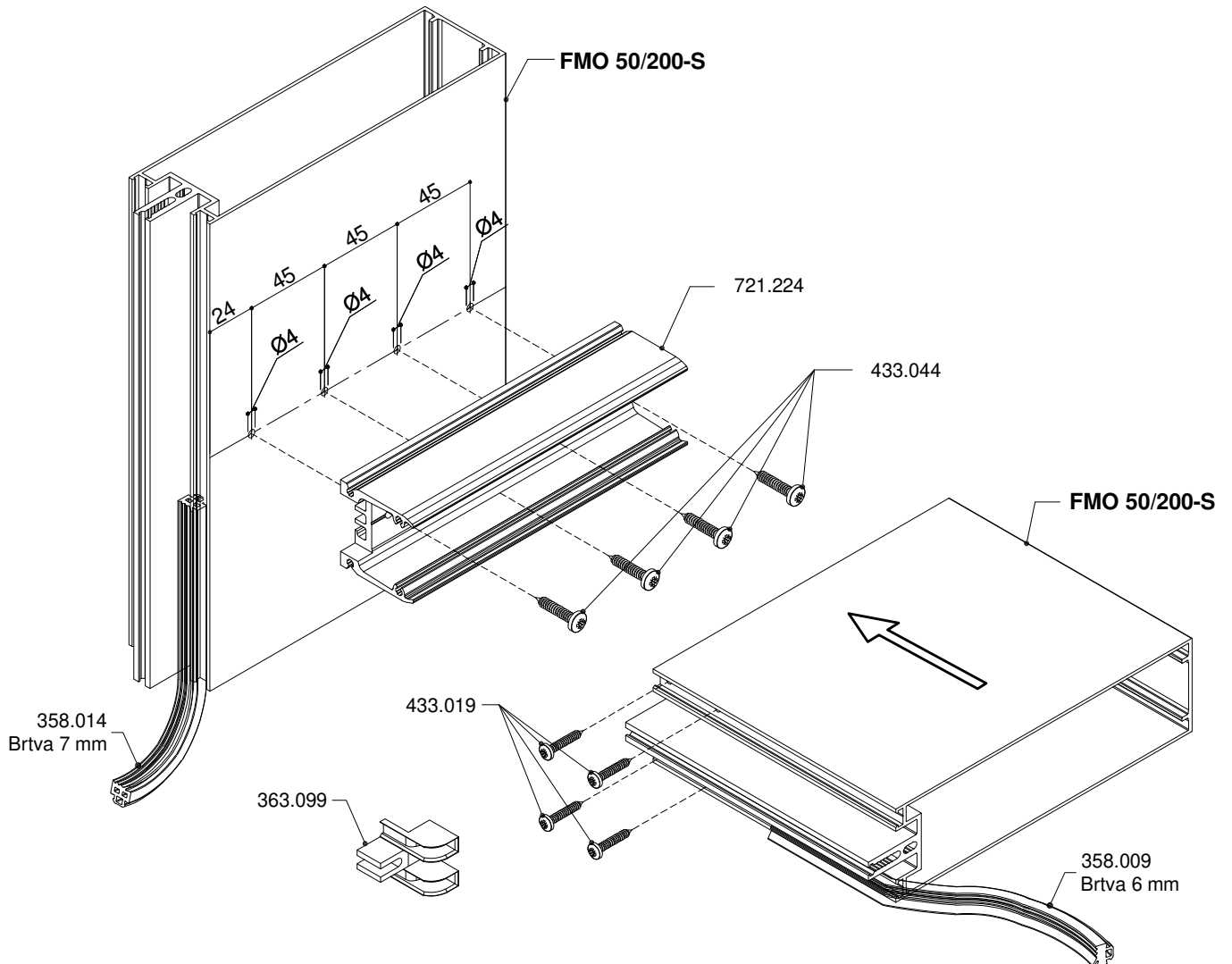
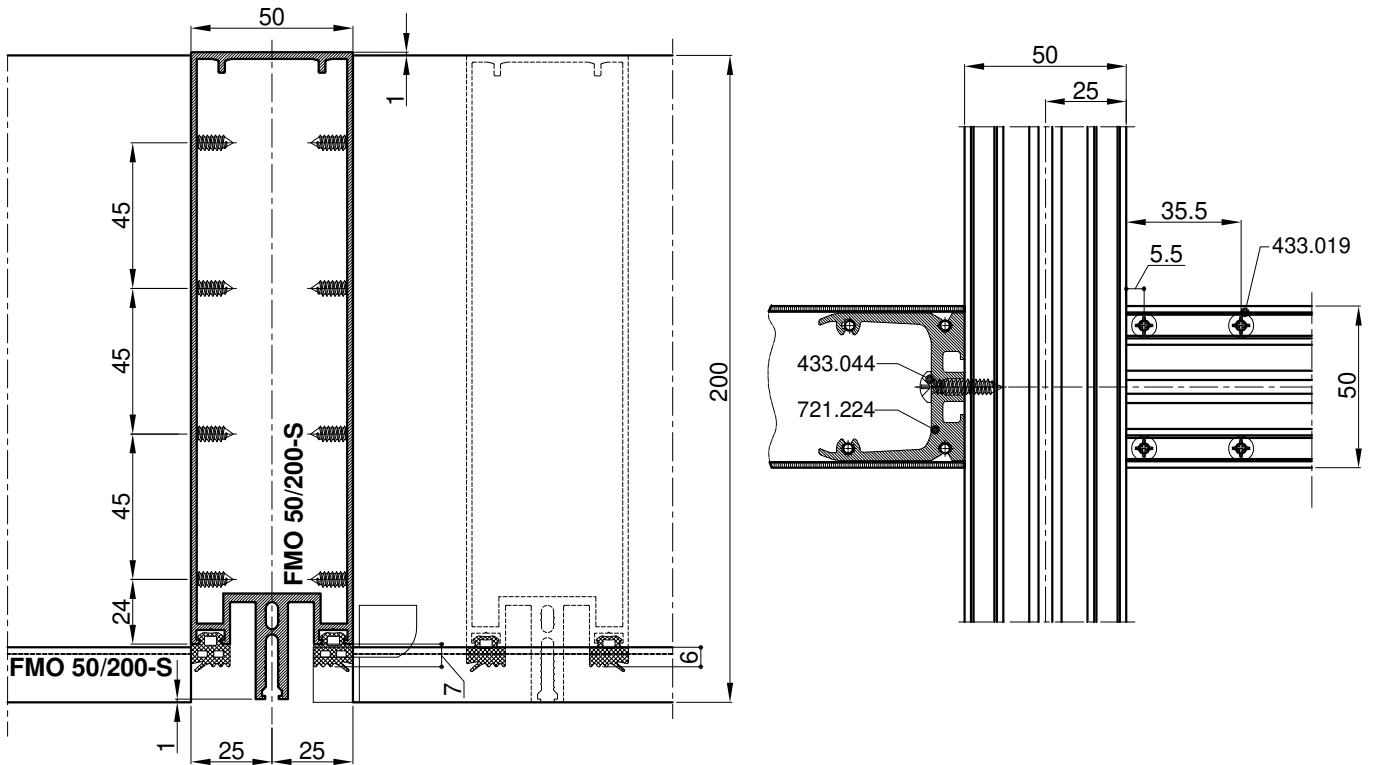
- Obrada okomice **FMO 50/120-S** za spoj s **FMO 50/120-S** (ravni gumeni odstožnik)
- Processing of mullion **FMO 50/120-S** for connection with **FMO 50/120-S** (flat dilatation rubber)



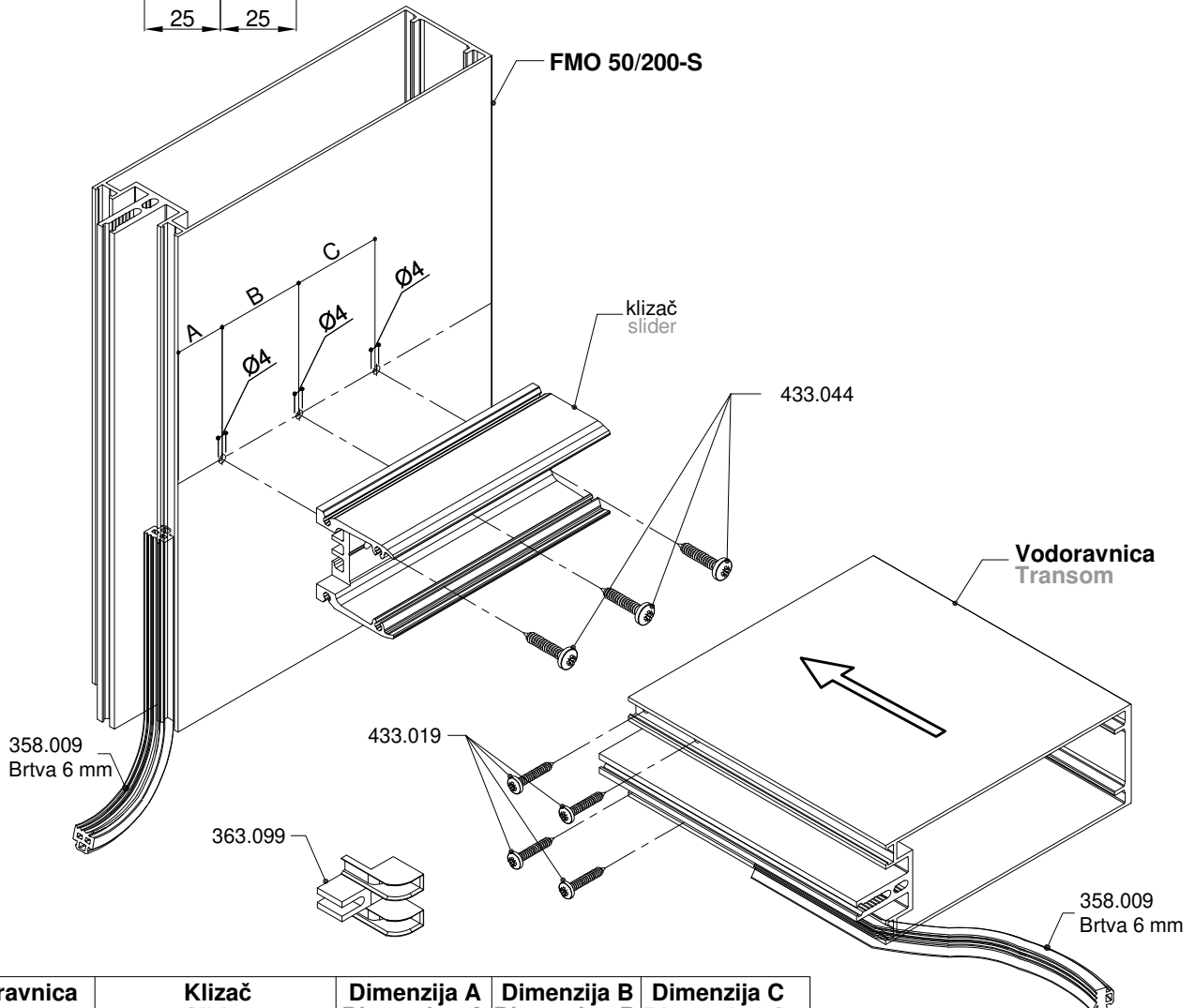
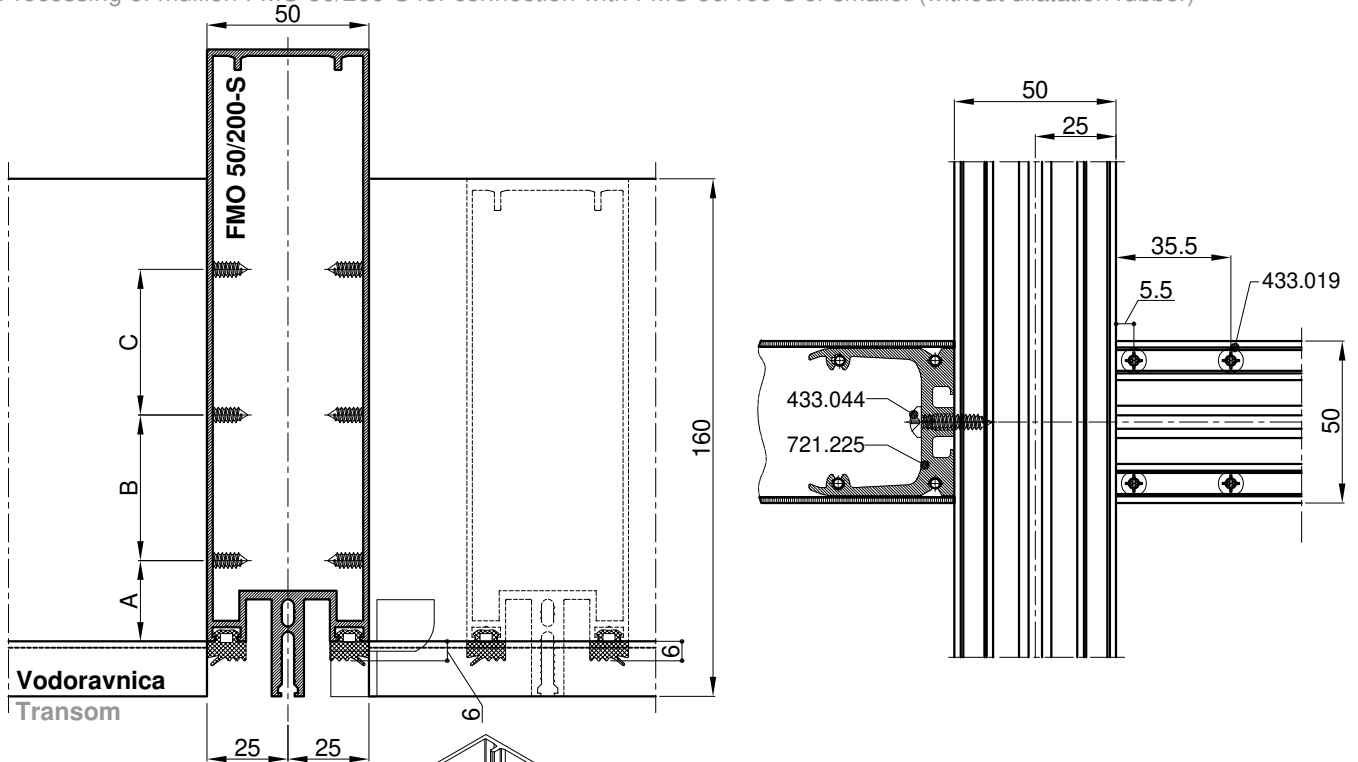
- Obrada okomice **FMO 50/90** za vodoravnicu **FMV 50/88** (ravni gumeni odstožnik)
- Processing of mullion **FMO 50/90** for transom **FMV 50/88** (flat dilatation rubber)



- Obrada okomice **FMO 50/200-S** za spoj s **FMO 50/200-S** (bez gumenog odstojnika)
- Processing of mullion **FMO 50/200-S** for connection with **FMO 50/200-S** (without dilatation rubber)

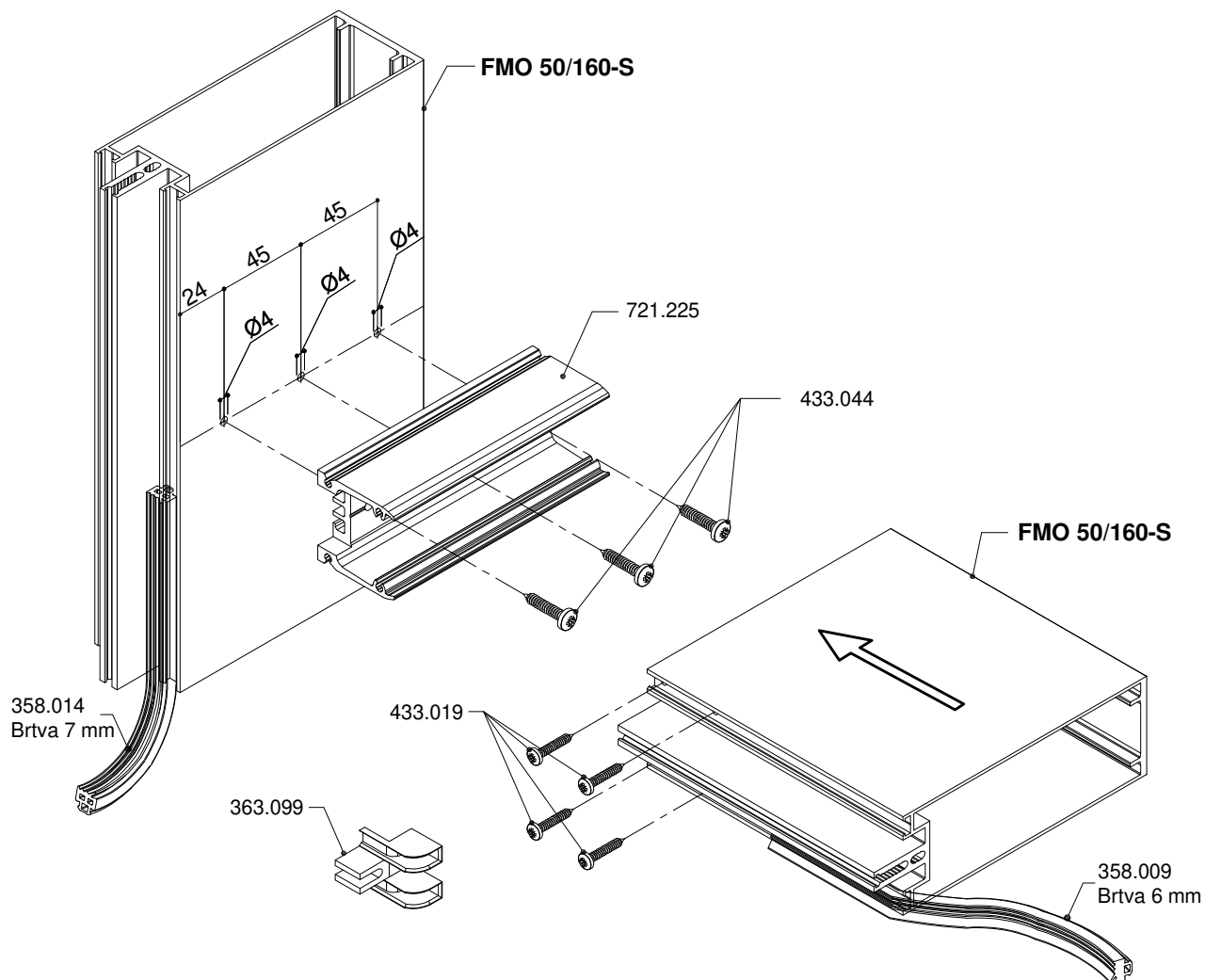
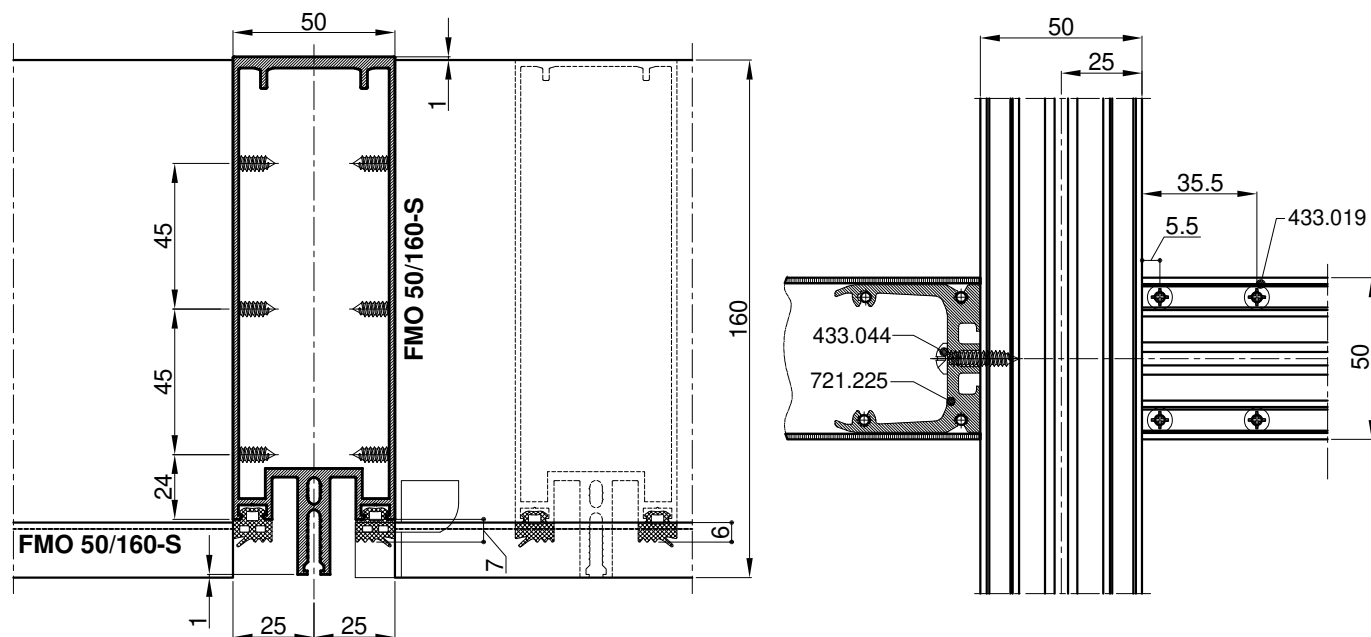


- Obrada okomice **FMO 50/200-S** za spoj s **FMO 50/160-S** ili **manju** (bez gumenog odstojnika)
- Processing of mullion **FMO 50/200-S** for connection with **FMO 50/160-S** or smaller (without dilatation rubber)

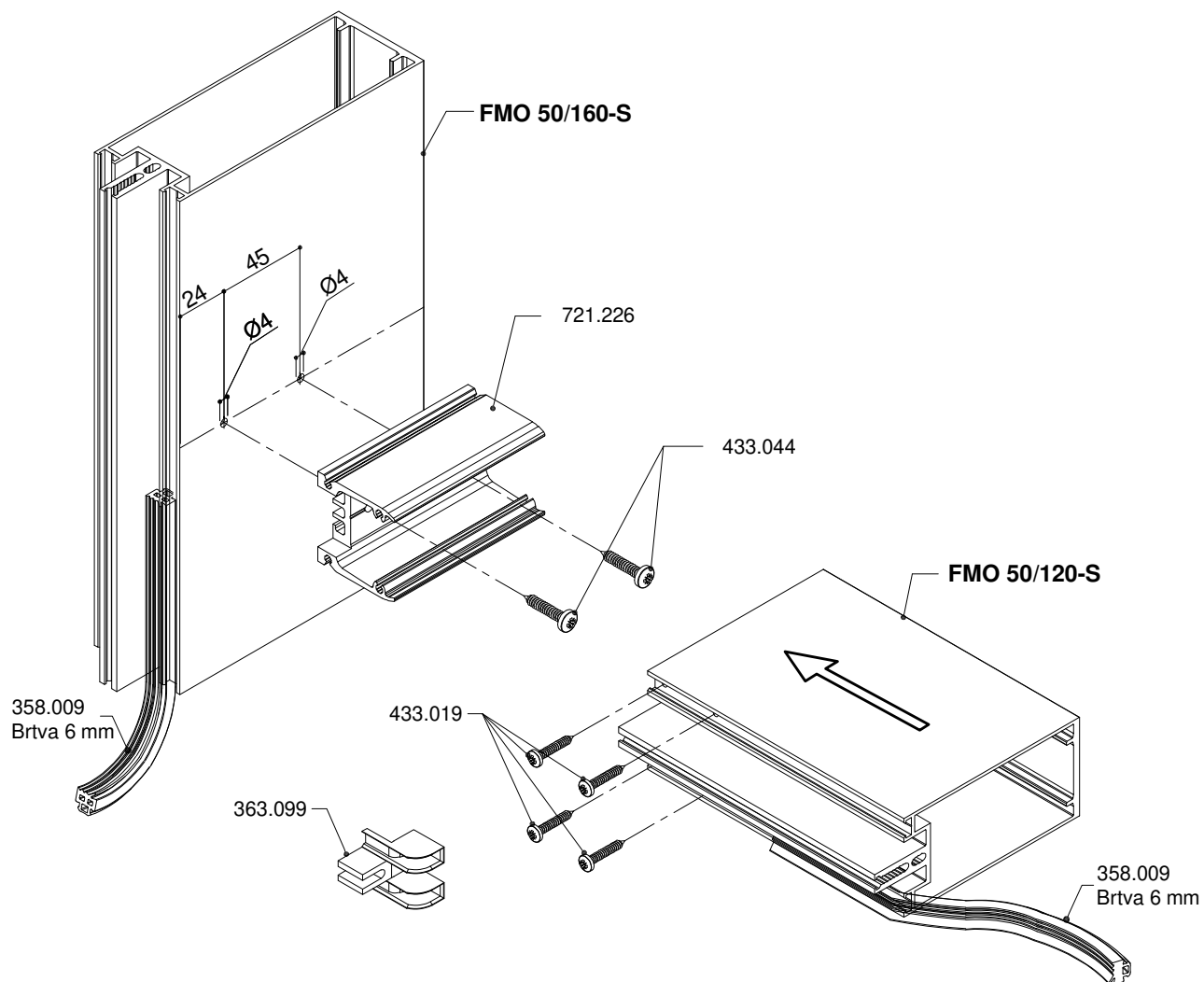
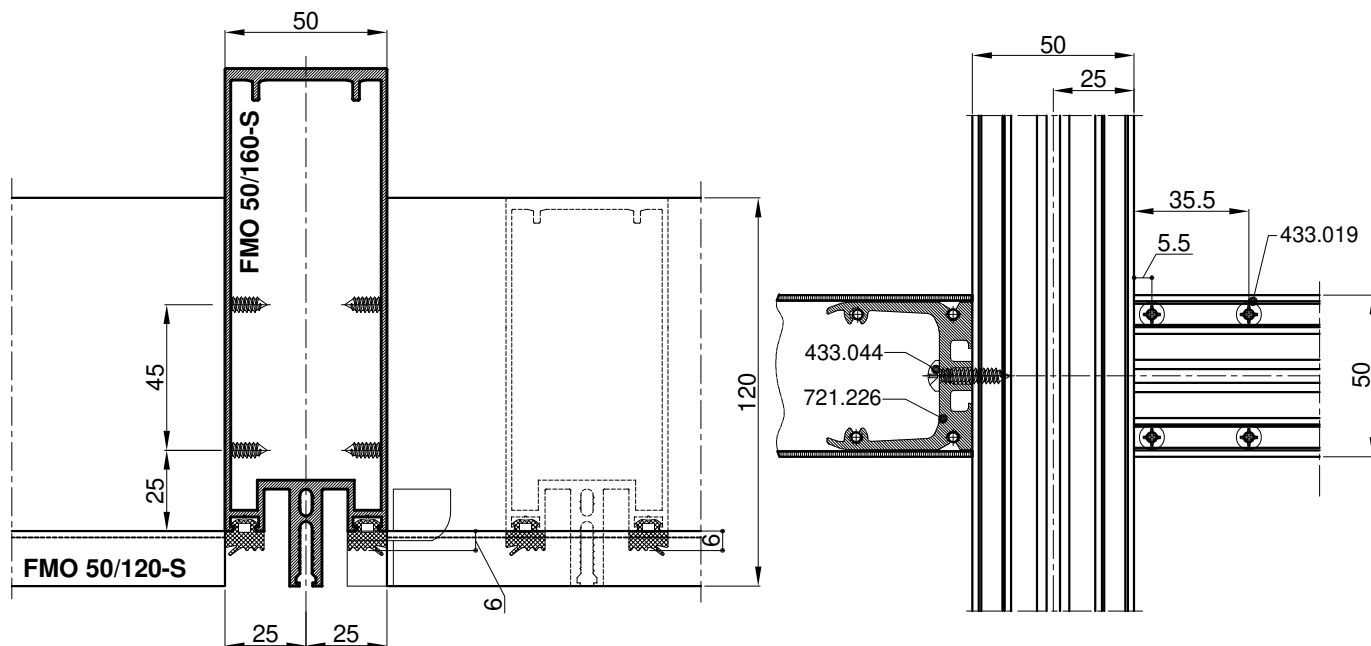


Vodoravnica Transom	Klizač Slider	Dimenzija A Dimension A	Dimenzija B Dimension B	Dimenzija C Dimension C
FMO 50/160-S	721.225	25 mm	45 mm	45 mm
FMO 50/120-S	721.226	25 mm	45 mm	-

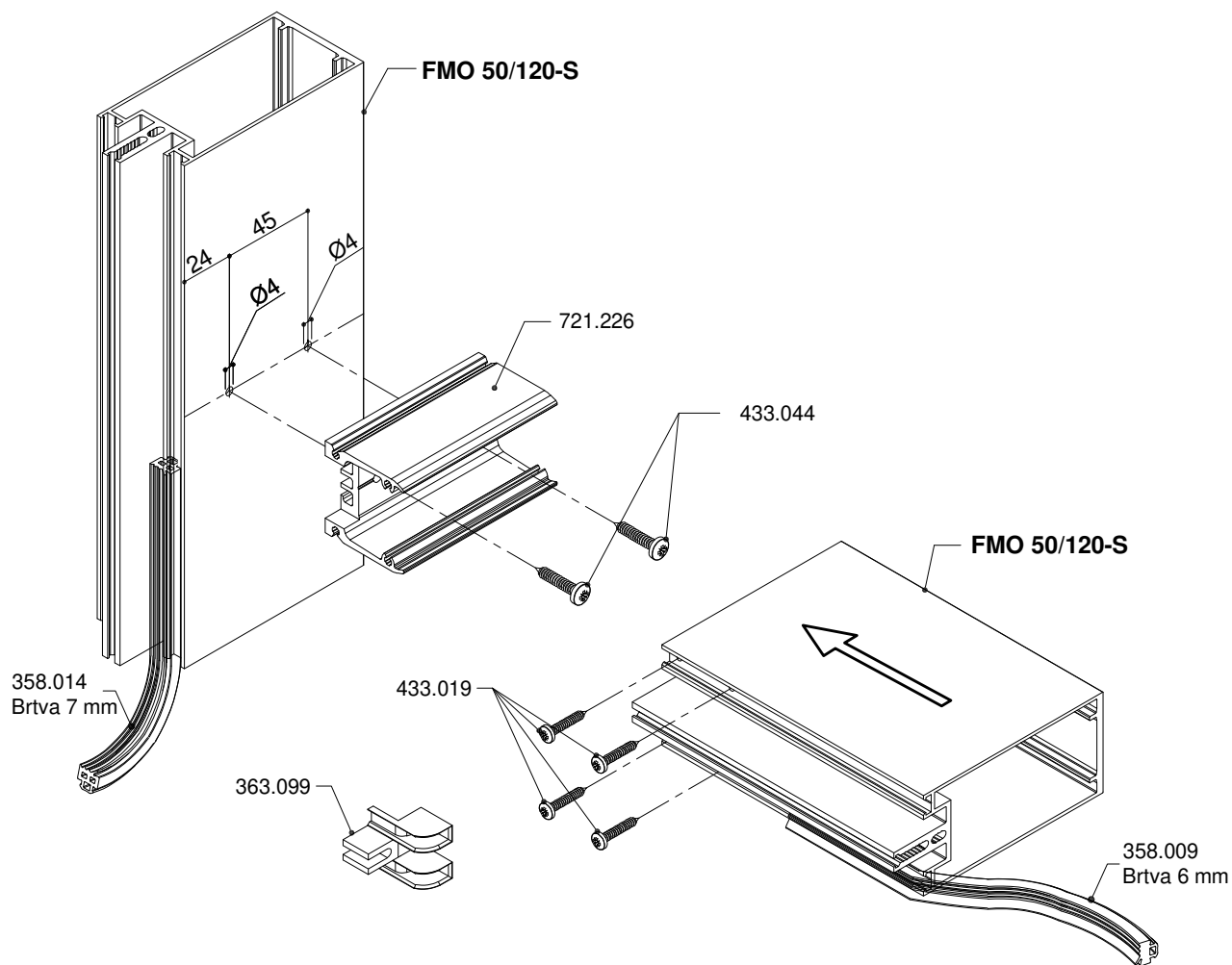
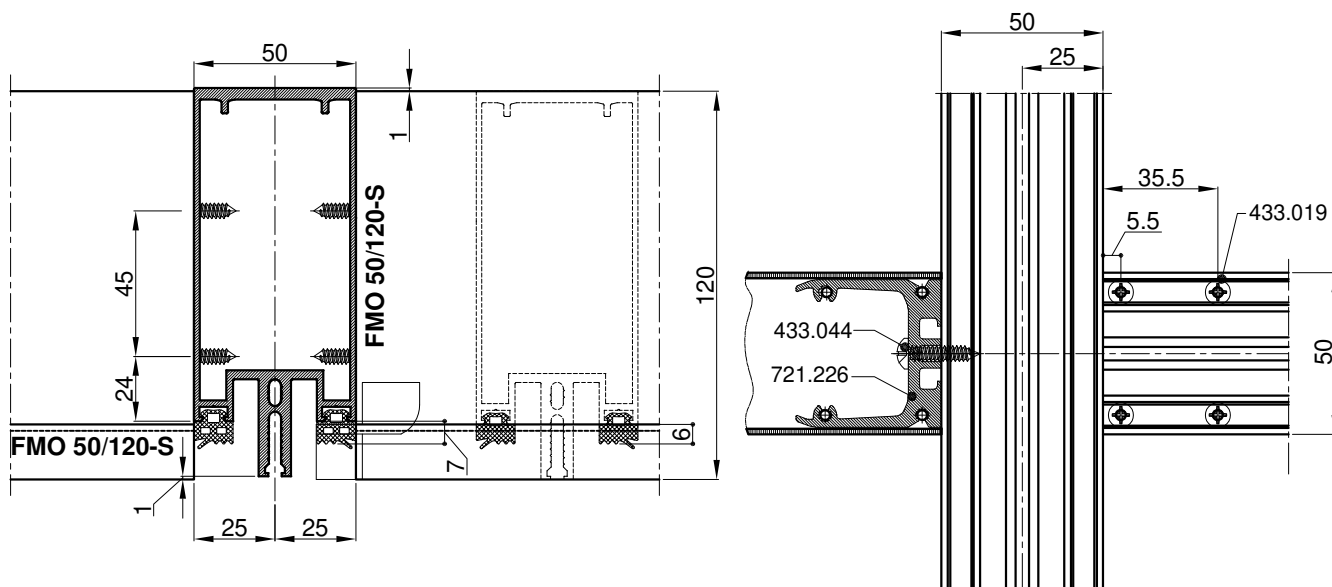
- Obrada okomice **FMO 50/160-S** za spoj s **FMO 50/160-S** (bez gumenog odstojnika)
- Processing of mullion **FMO 50/160-S** for connection with **FMO 50/160-S** (without dilatation rubber)



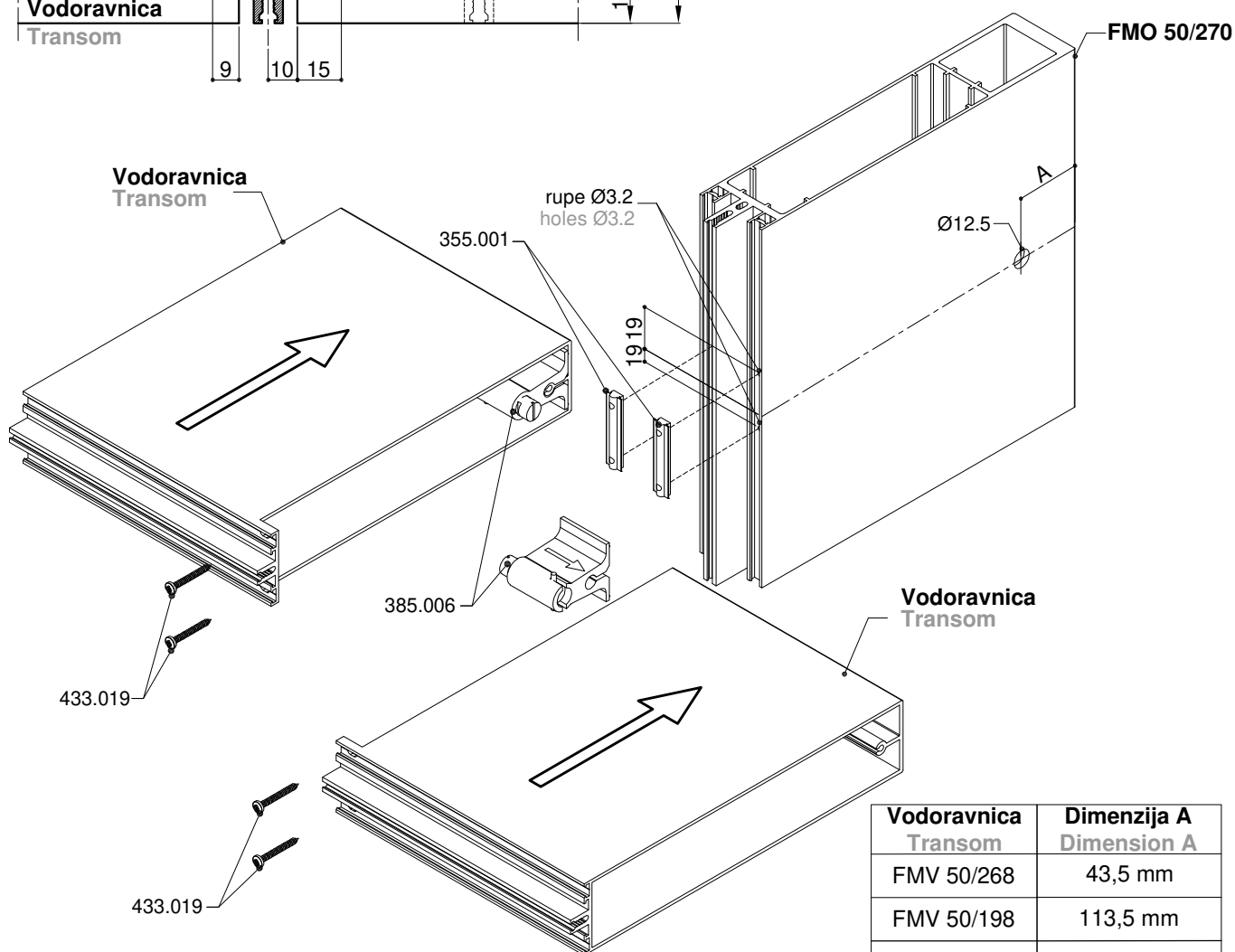
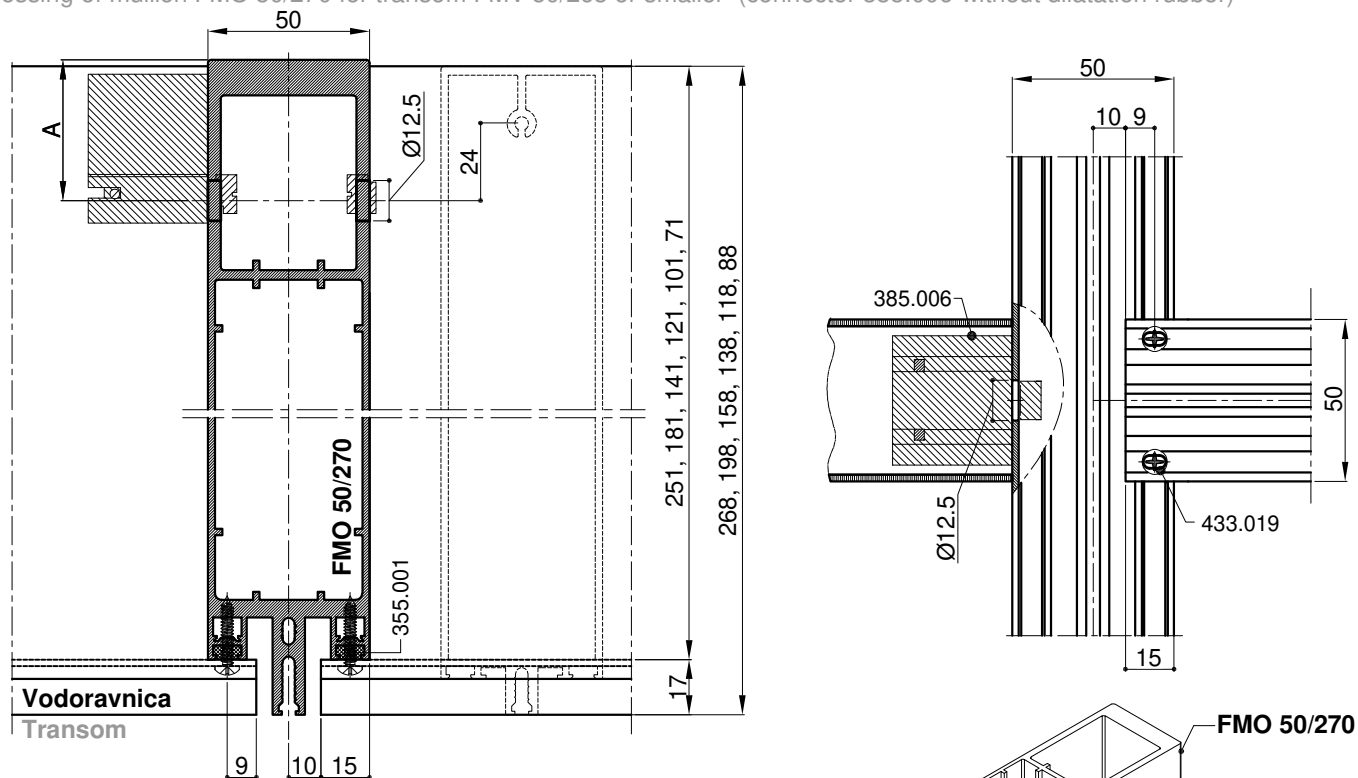
- Obrada okomice **FMO 50/160-S** za spoj s **FMO 50/120-S** (bez gumenog odstojnika)
- Processing of mullion **FMO 50/160-S** for connection with **FMO 50/120-S** (without dilatation rubber)



- Obrada okomice **FMO 50/120-S** za spoj s **FMO 50/120-S** (bez gumenog odstojnika)
- Processing of mullion **FMO 50/120-S** for connection with **FMO 50/120-S** (without dilatation rubber)

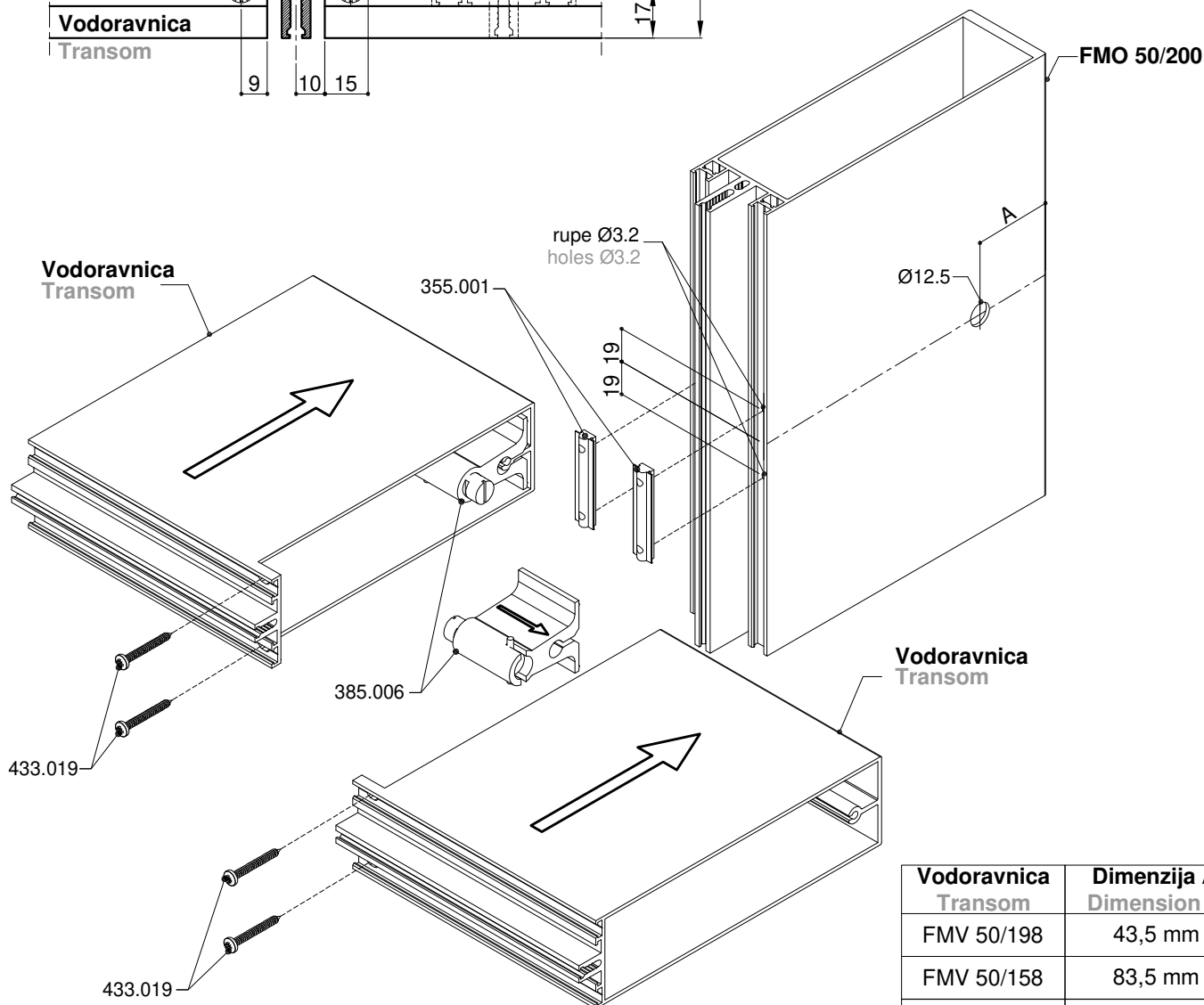
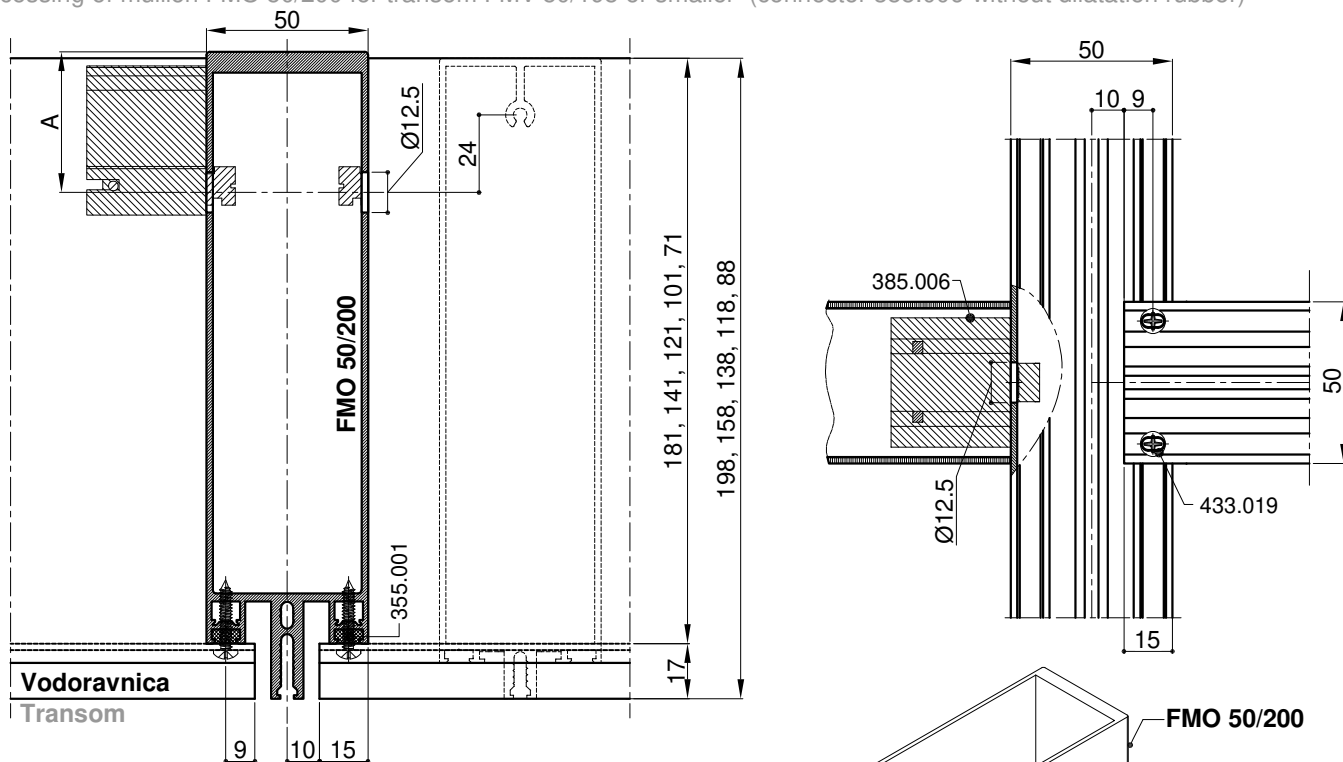


- Obrada okomice **FMO 50/270** za vodoravnicu **FMV 50/268 ili manju** (kopča 385.006-bez dilatacijske brtve)
- Processing of mullion **FMO 50/270** for transom **FMV 50/268 or smaller** (connector 385.006-without dilatation rubber)



Vodoravnica Transom	Dimenzija A Dimension A
FMV 50/268	43,5 mm
FMV 50/198	113,5 mm
FMV 50/158	153,5 mm
FMV 50/138	174,5 mm
FMV 50/118	193,5 mm
FMV 50/88	223,5 mm

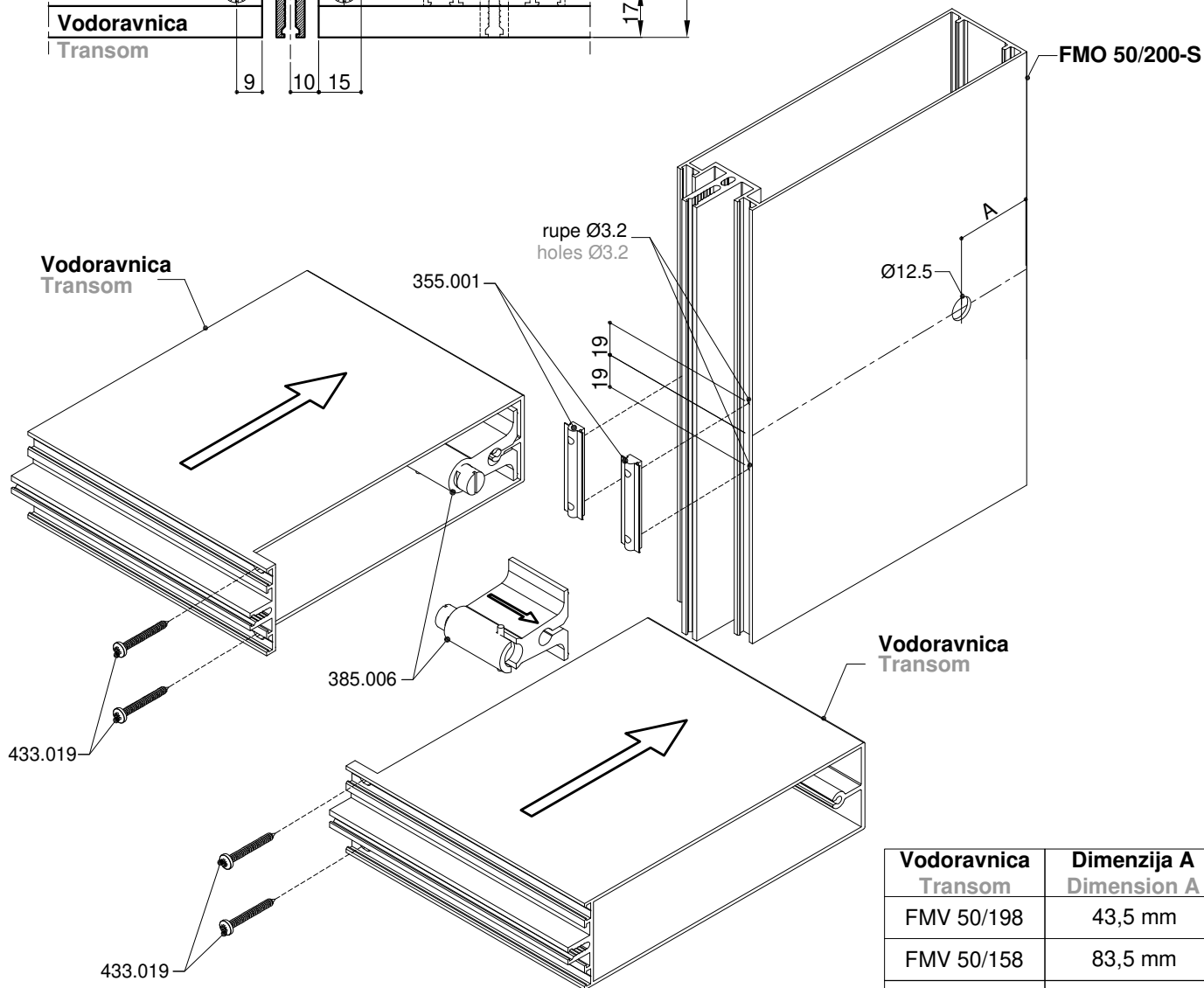
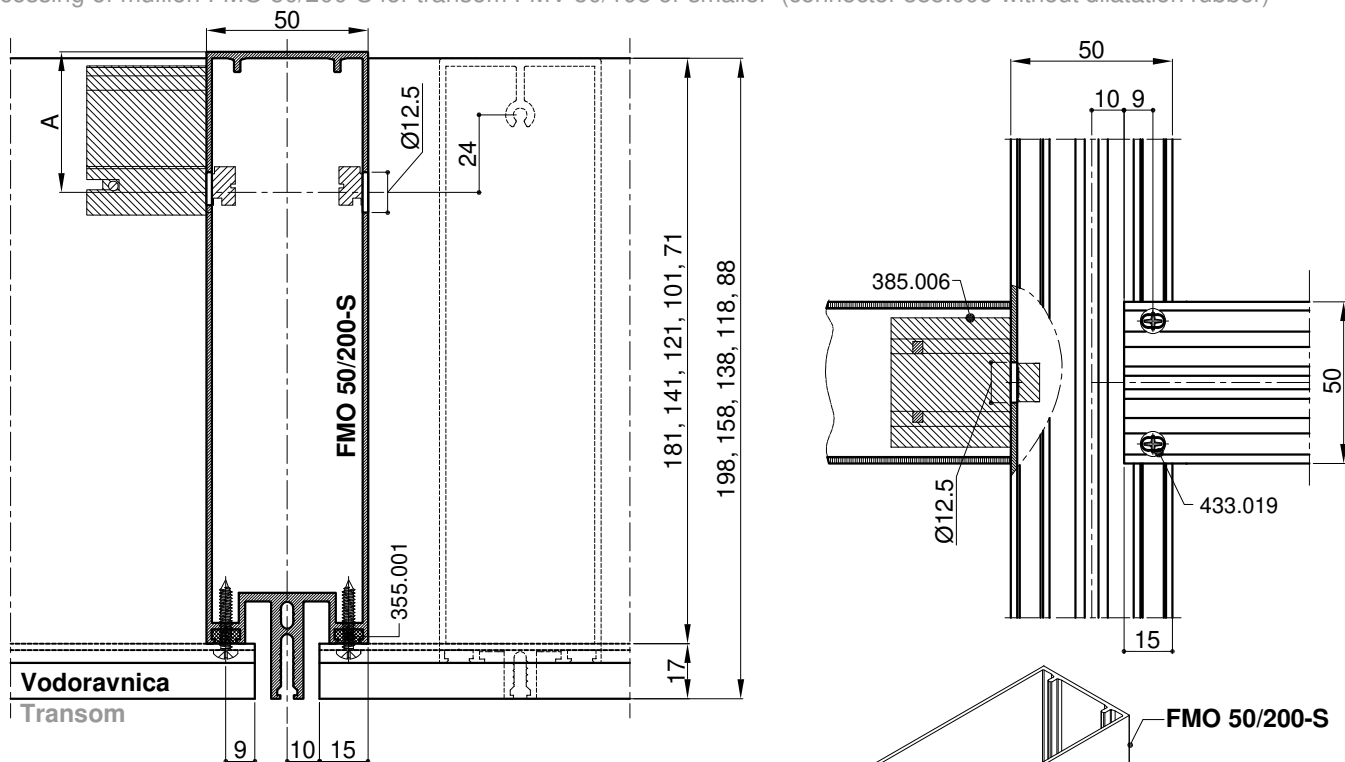
- Obrada okomice **FMO 50/200** za vodoravnicu **FMV 50/198 ili manju** (kopča 385.006-bez dilatacijske brtve)
- Processing of mullion **FMO 50/200** for transom **FMV 50/198 or smaller** (connector 385.006-without dilatation rubber)



Vodoravnica Transom	Dimenzija A Dimension A
FMV 50/198	43,5 mm
FMV 50/158	83,5 mm
FMV 50/138	104,5 mm
FMV 50/118	123,5 mm
FMV 50/88	153,5 mm

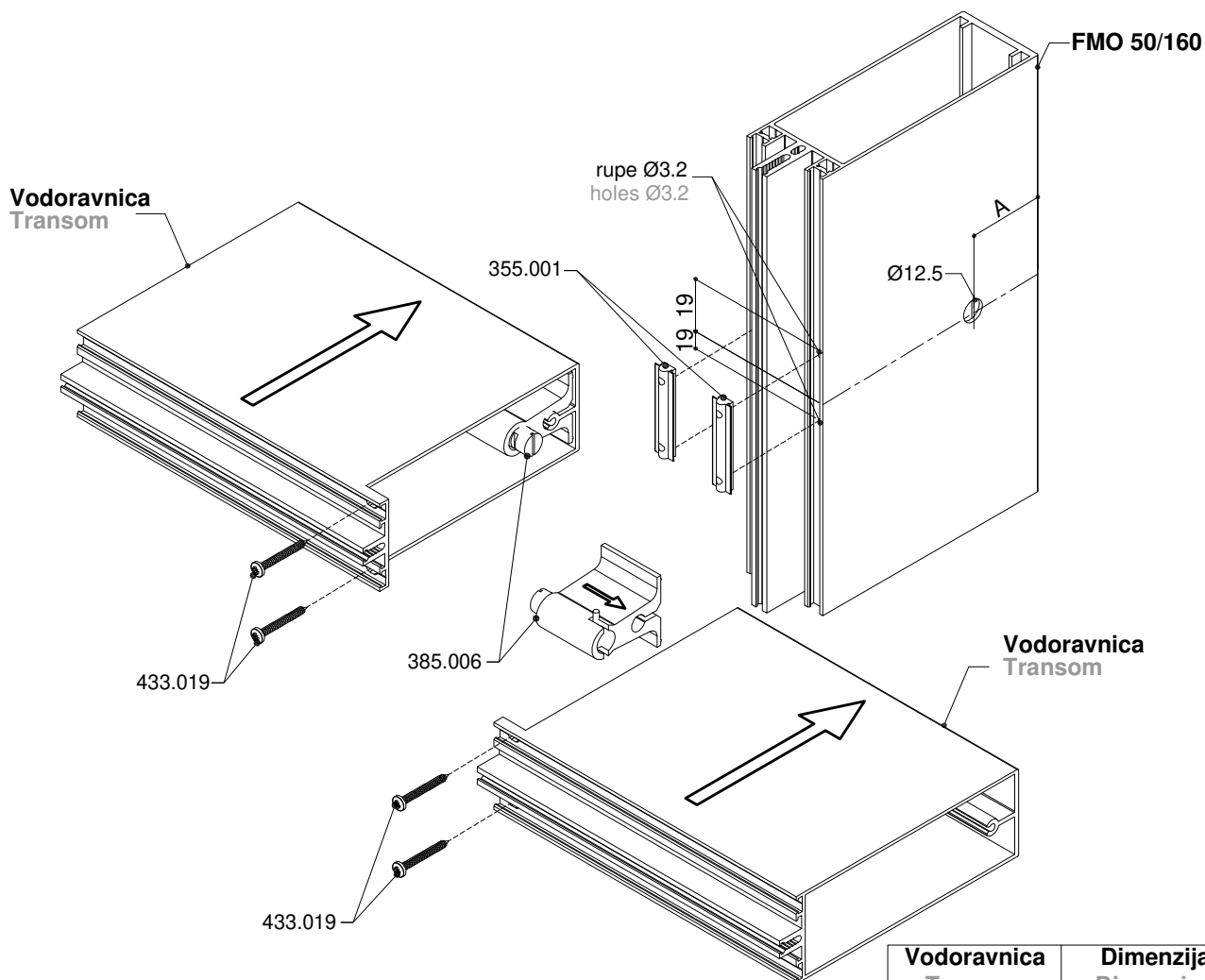
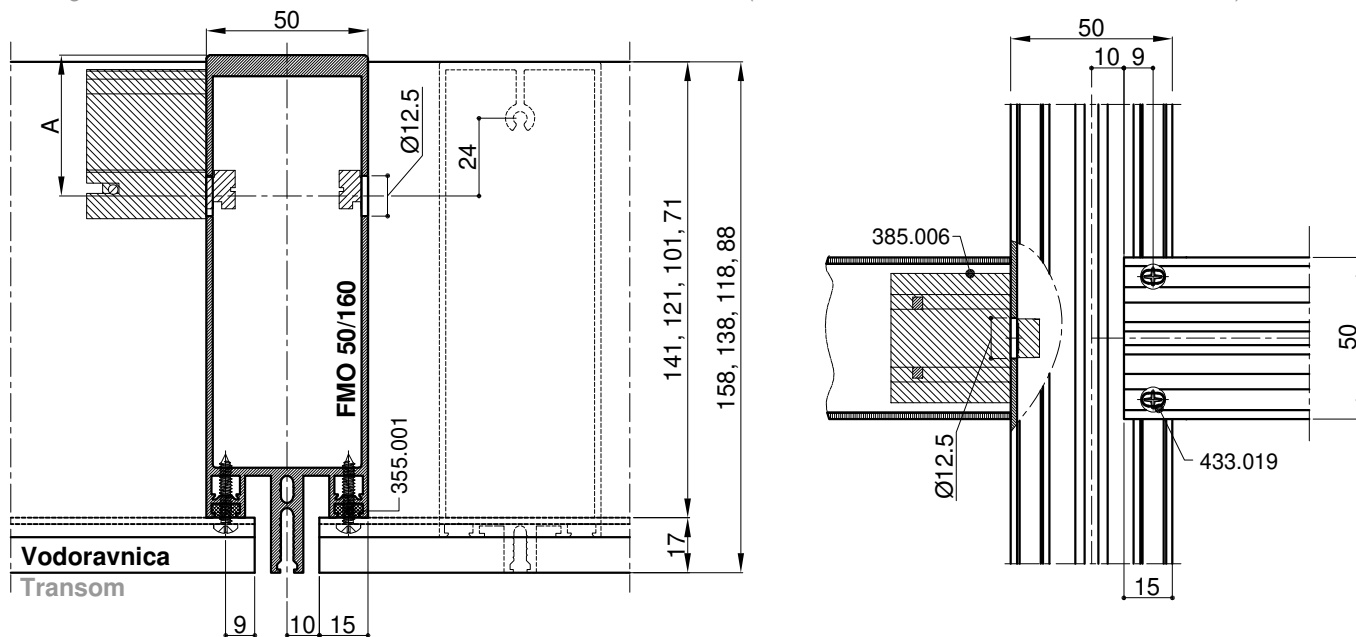
- Obrada okomice **FMO 50/200-S** za vodoravnicu **FMV 50/198 ili manju** (kopča 385.006-bez dilatacijske brtve)

- Processing of mullion **FMO 50/200-S** for transom **FMV 50/198 or smaller** (connector 385.006-without dilatation rubber)



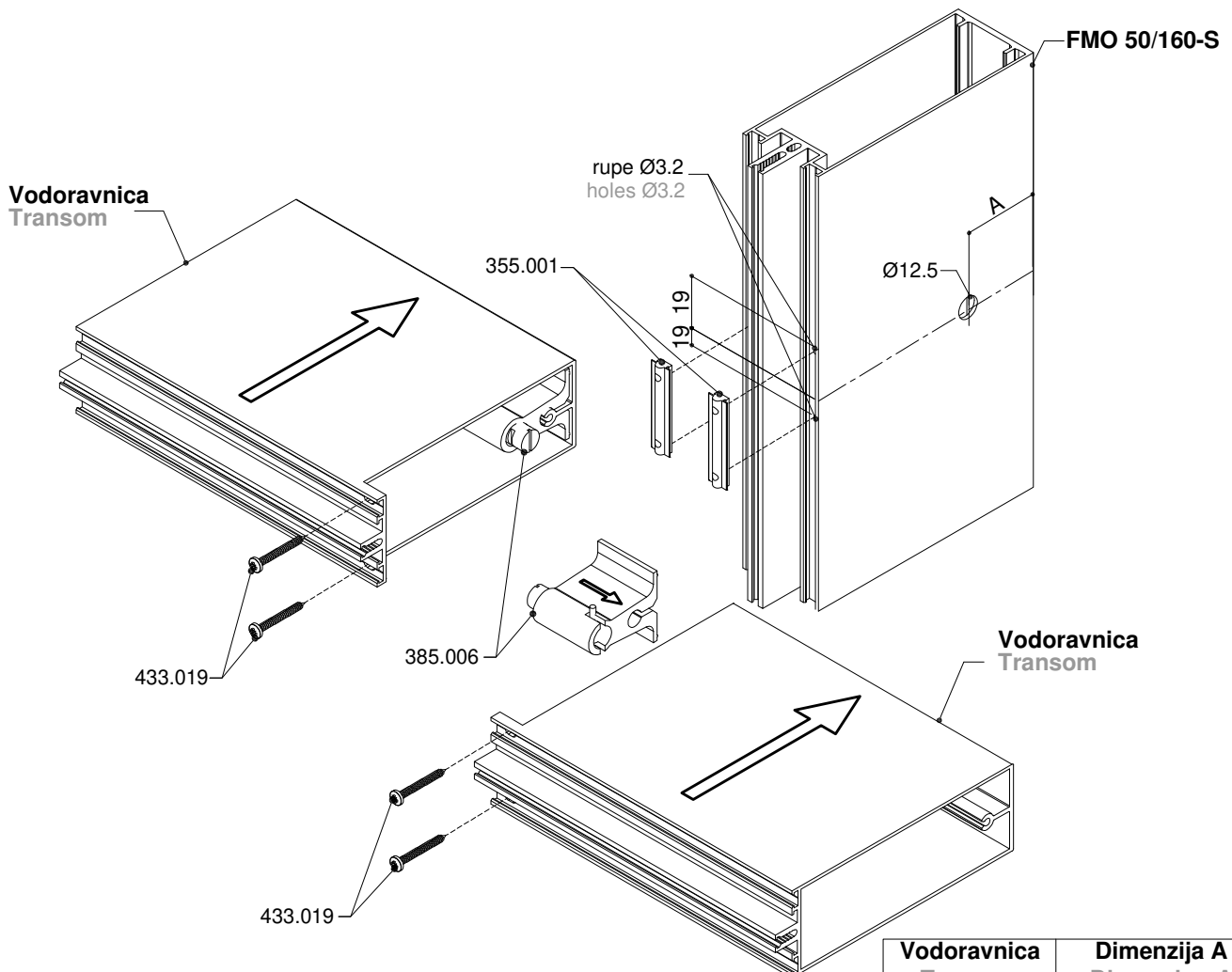
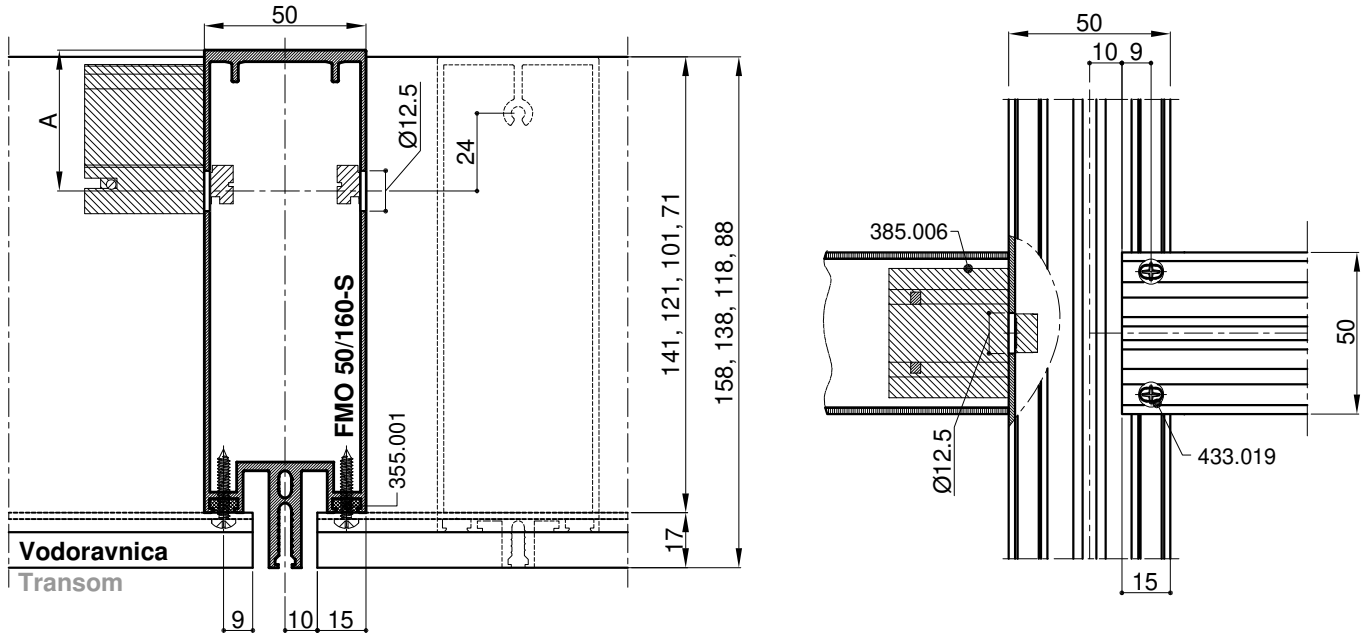
Vodoravnica Transom	Dimenzija A Dimension A
FMV 50/198	43,5 mm
FMV 50/158	83,5 mm
FMV 50/138	104,5 mm
FMV 50/118	123,5 mm
FMV 50/88	153,5 mm

- Obrada okomice **FMO 50/160** za vodoravnicu **FMV 50/158 ili manju** (kopča 385.006-bez dilatacijske brtve)
- Processing of mullion **FMO 50/160** for transom **FMV 50/158 or smaller** (connector 385.006-without dilatation rubber)



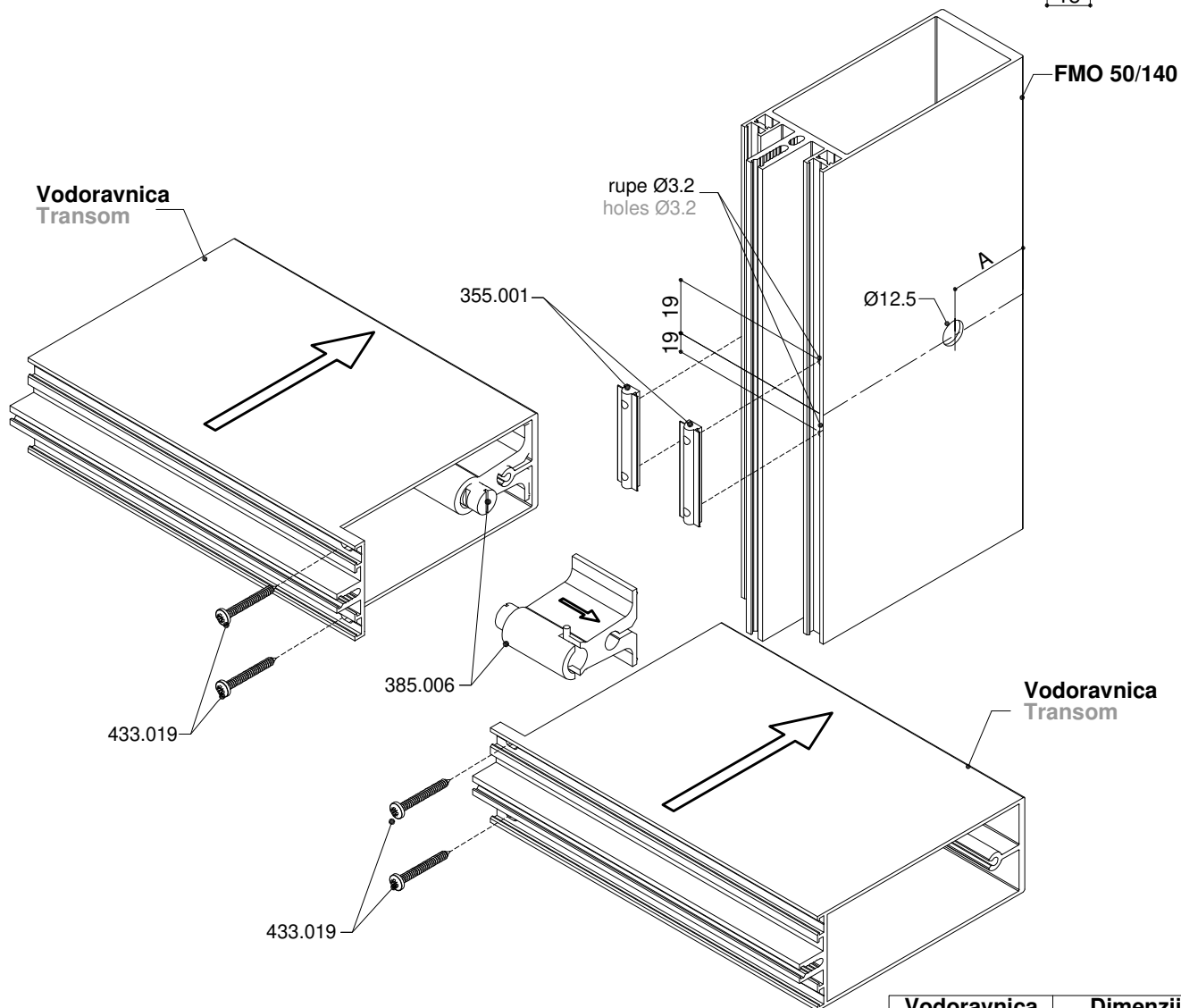
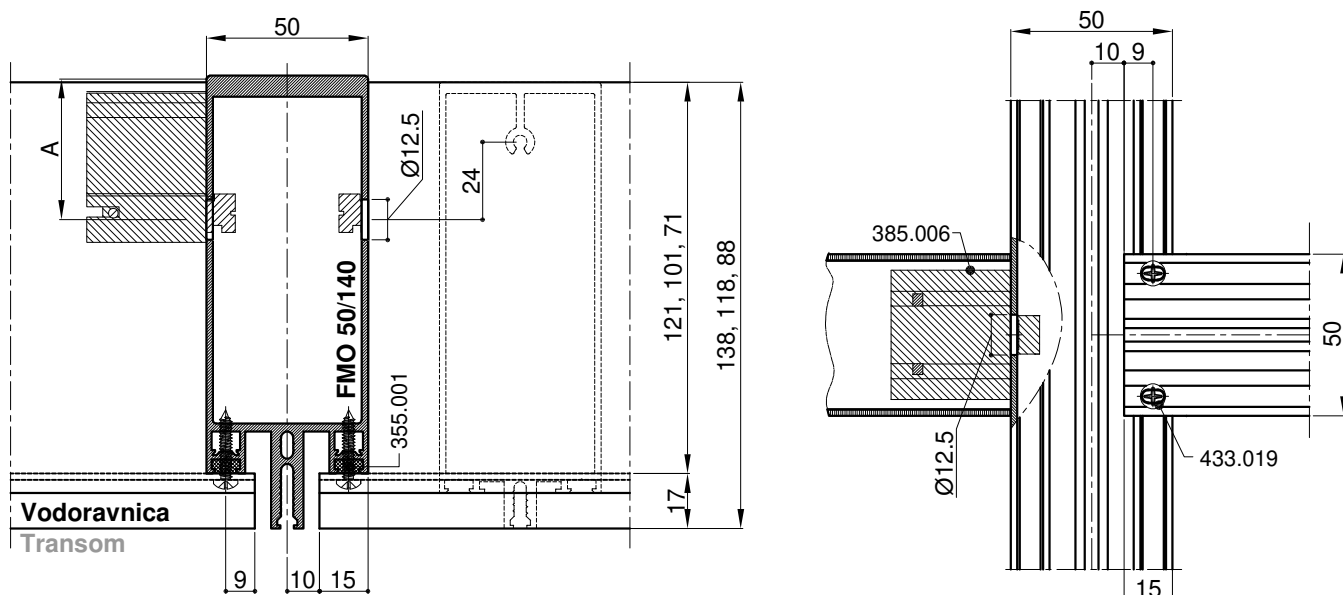
Vodoravnica Transom	Dimenzija A Dimension A
FMV 50/158	43,5 mm
FMV 50/138	64,5 mm
FMV 50/118	83,5 mm
FMV 50/88	113,5 mm

- Obrada okomice **FMO 50/160-S** za vodoravnicu **FMV 50/158 ili manju** (kopča 385.006-bez dilatacijske brtve)
- Processing of mullion **FMO 50/160-S** for transom **FMV 50/158 or smaller** (connector 385.006-without dilatation rubber)



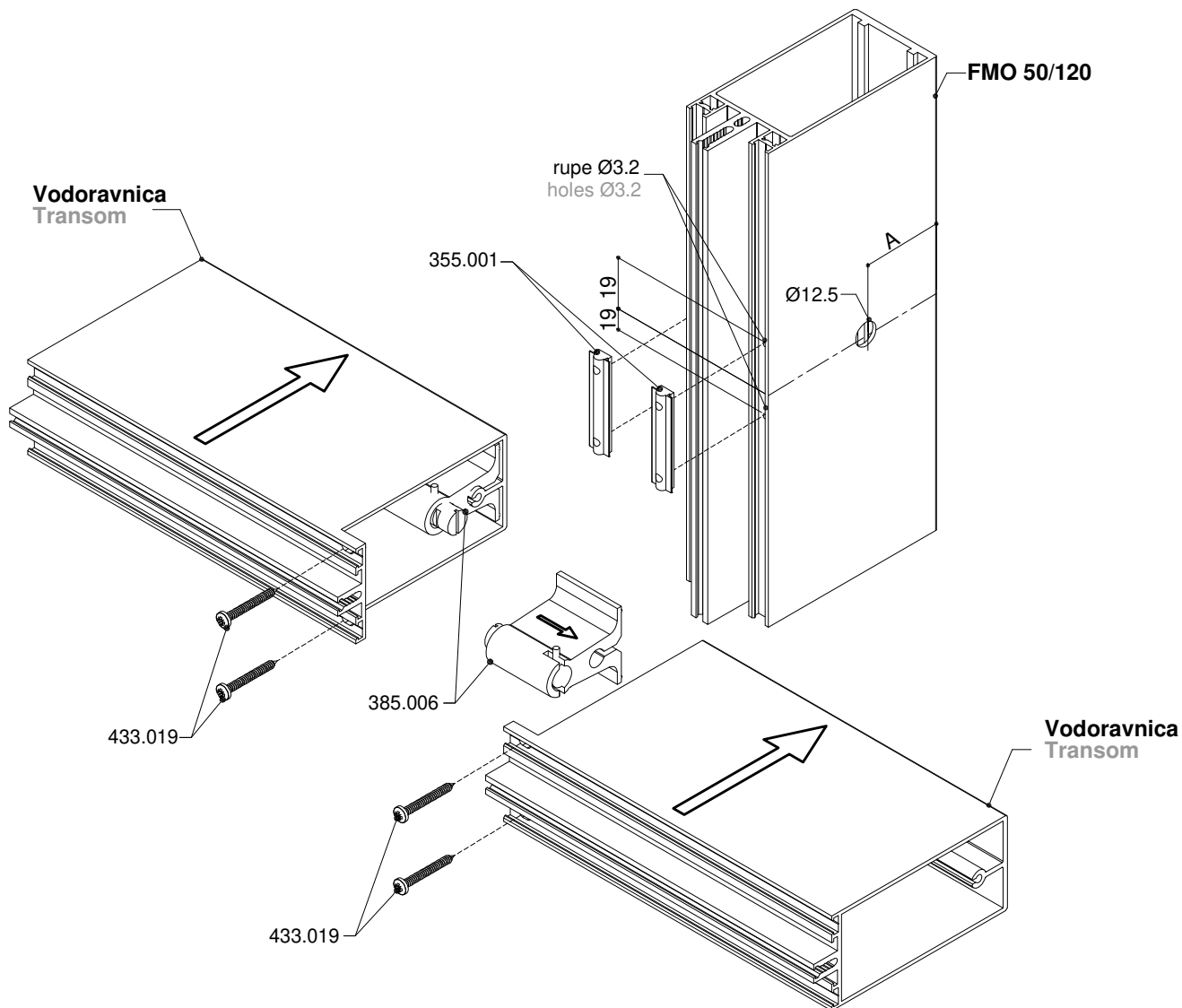
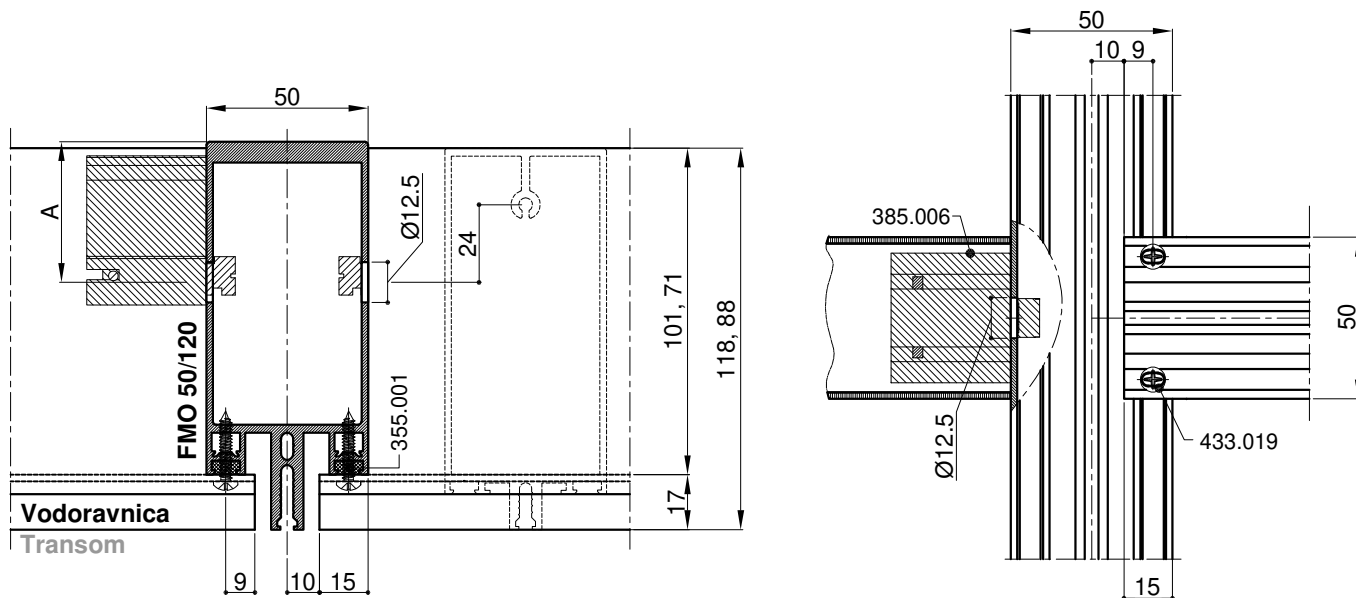
Vodoravnica Transom	Dimenzija A Dimension A
FMV 50/158	43,5 mm
FMV 50/138	64,5 mm
FMV 50/118	83,5 mm
FMV 50/88	113,5 mm

- Obrada okomice **FMO 50/140** za vodoravnicu **FMV 50/138 ili manju** (kopča 385.006-bez dilatacijske brtve)
- Processing of mullion **FMO 50/140** for transom **FMV 50/138 or smaller** (connector 385.006-without dilatation rubber)



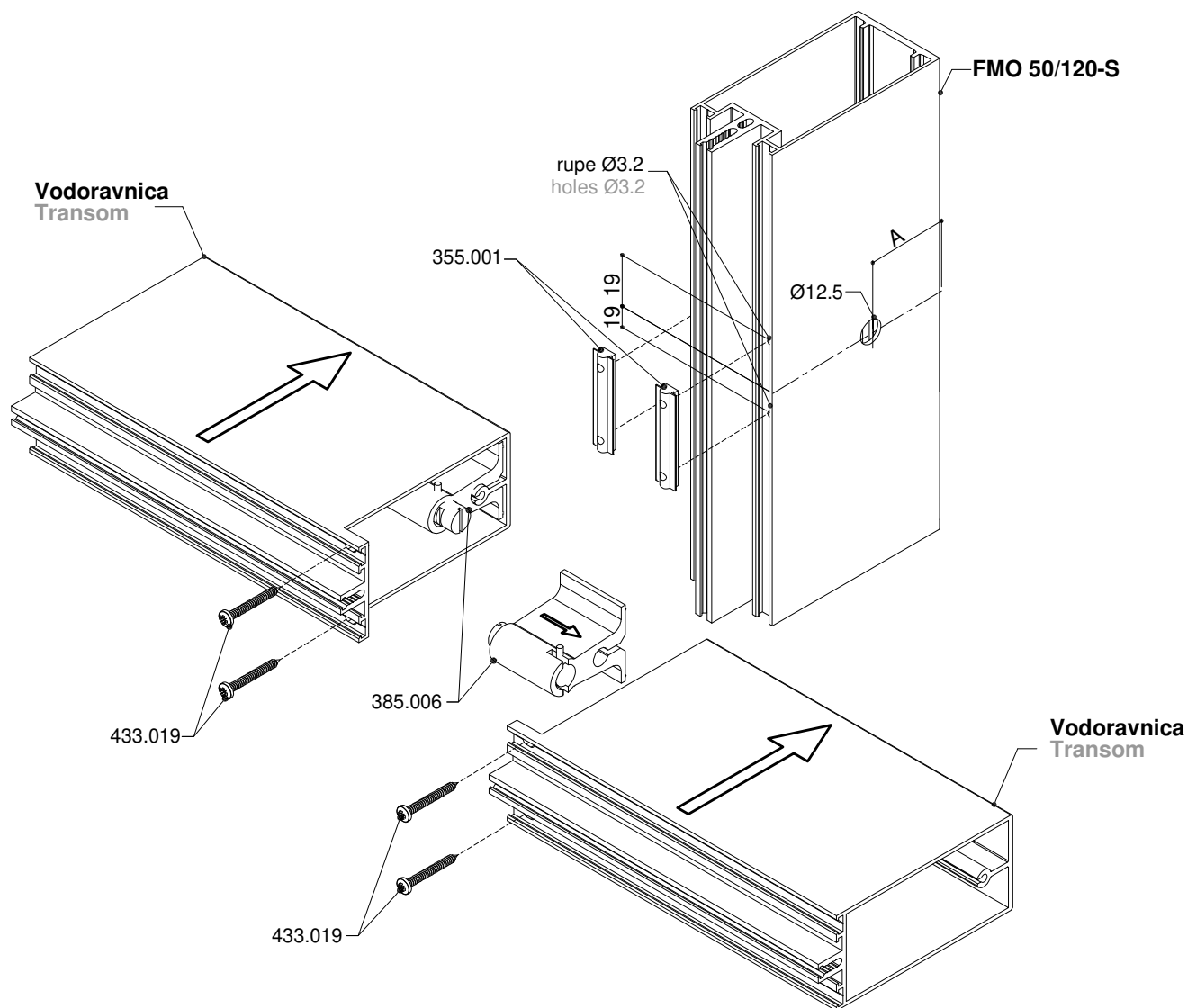
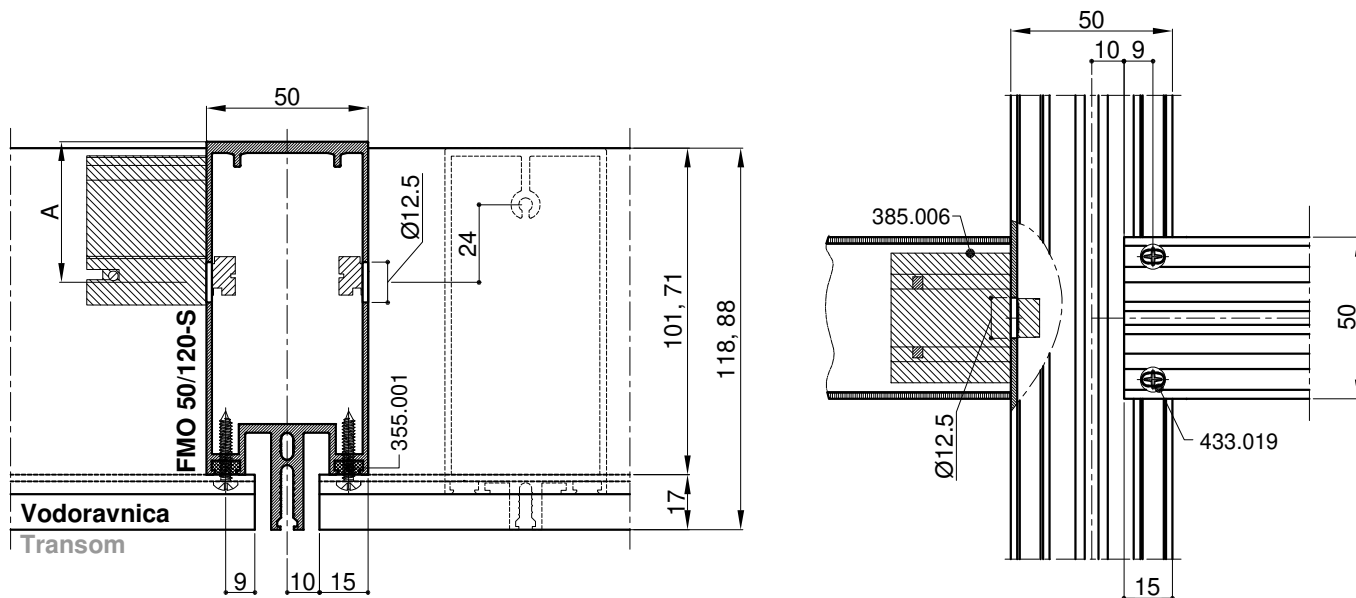
Vodoravnica Transom	Dimenzija A Dimension A
FMV 50/138	44,5 mm
FMV 50/118	63,5 mm
FMV 50/88	93,5 mm

- Obrada okomice **FMO 50/120** za vodoravnicu **FMV 50/118 ili manju** (kopča 385.006-bez dilatacijske brtve)
- Processing of mullion **FMO 50/120** for transom **FMV 50/118 or smaller** (connector 385.006-without dilatation rubber)



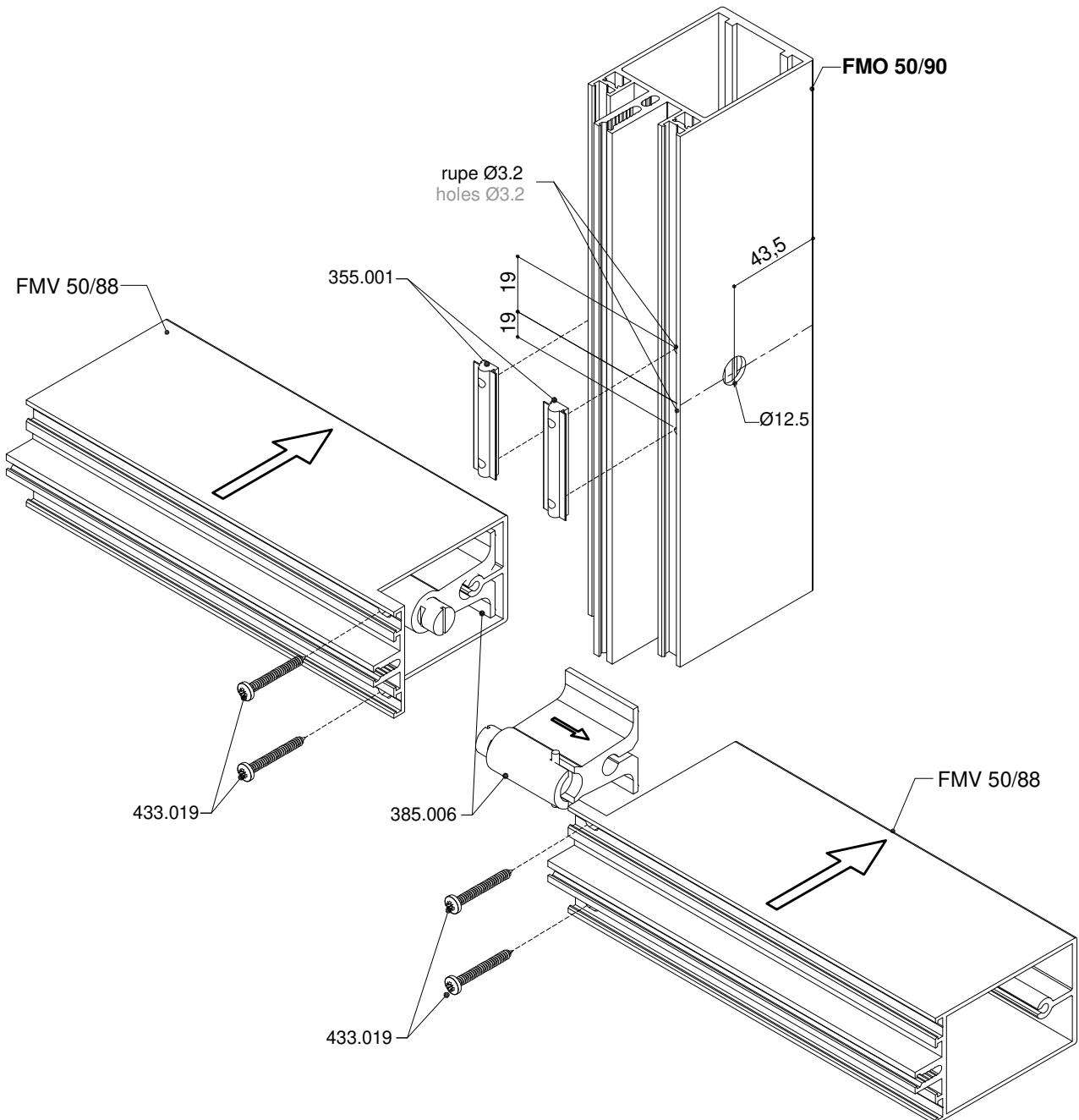
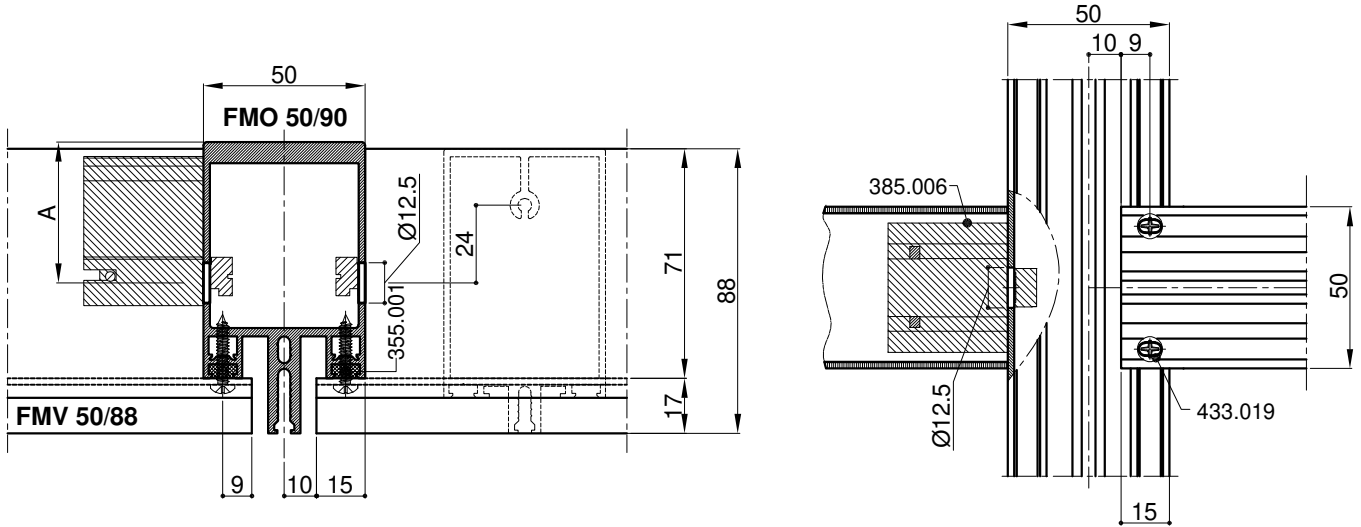
Vodoravnica Transom	Dimenzija A Dimension A
FMV 50/118	43,5 mm
FMV 50/88	73,5 mm

- Obrada okomice **FMO 50/120-S** za vodoravnicu **FMV 50/118 ili manju** (kopča 385.006-bez dilatacijske brtve)
- Processing of mullion **FMO 50/120-S** for transom **FMV 50/118 or smaller** (connector 385.006-without dilatation rubber)

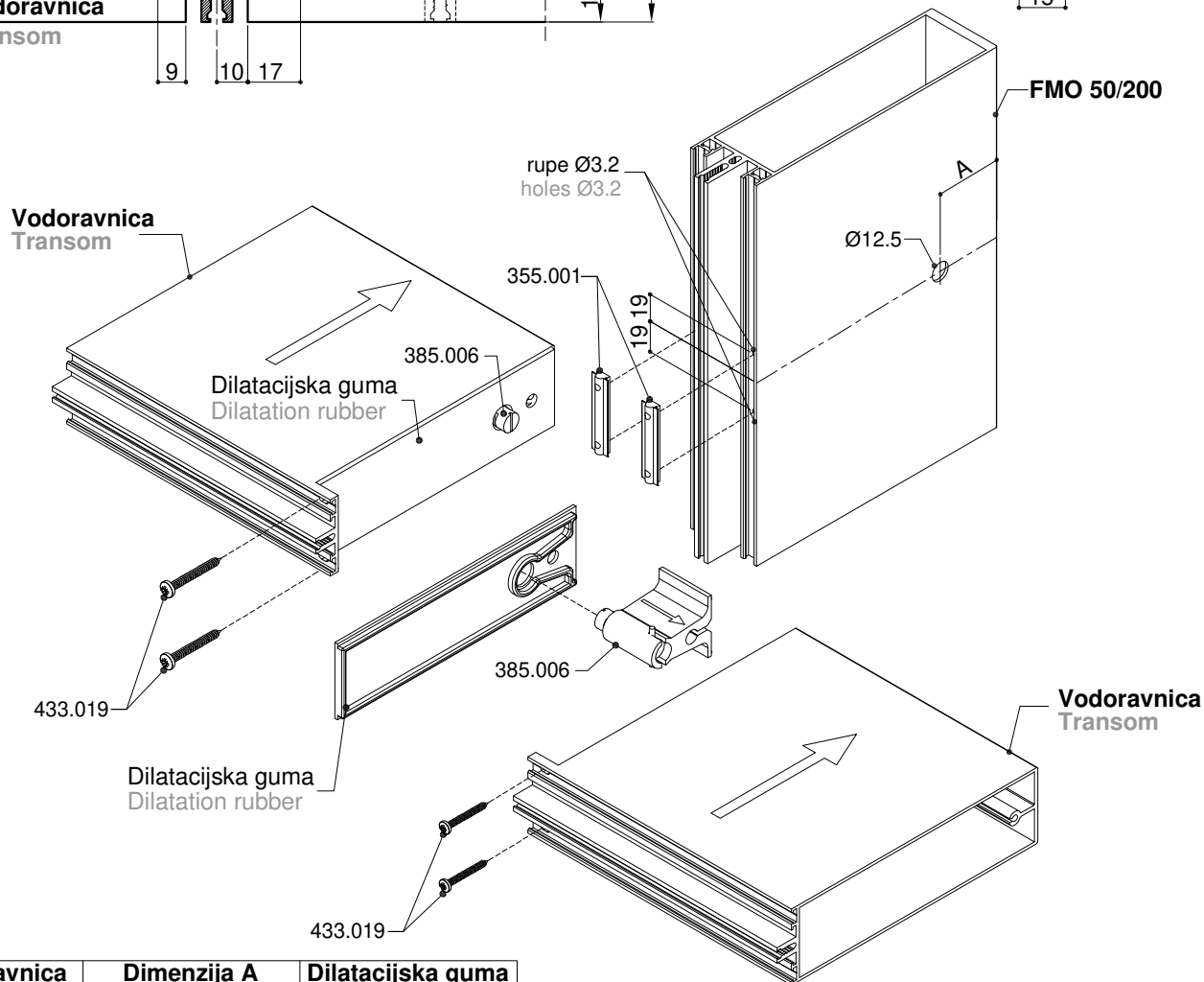
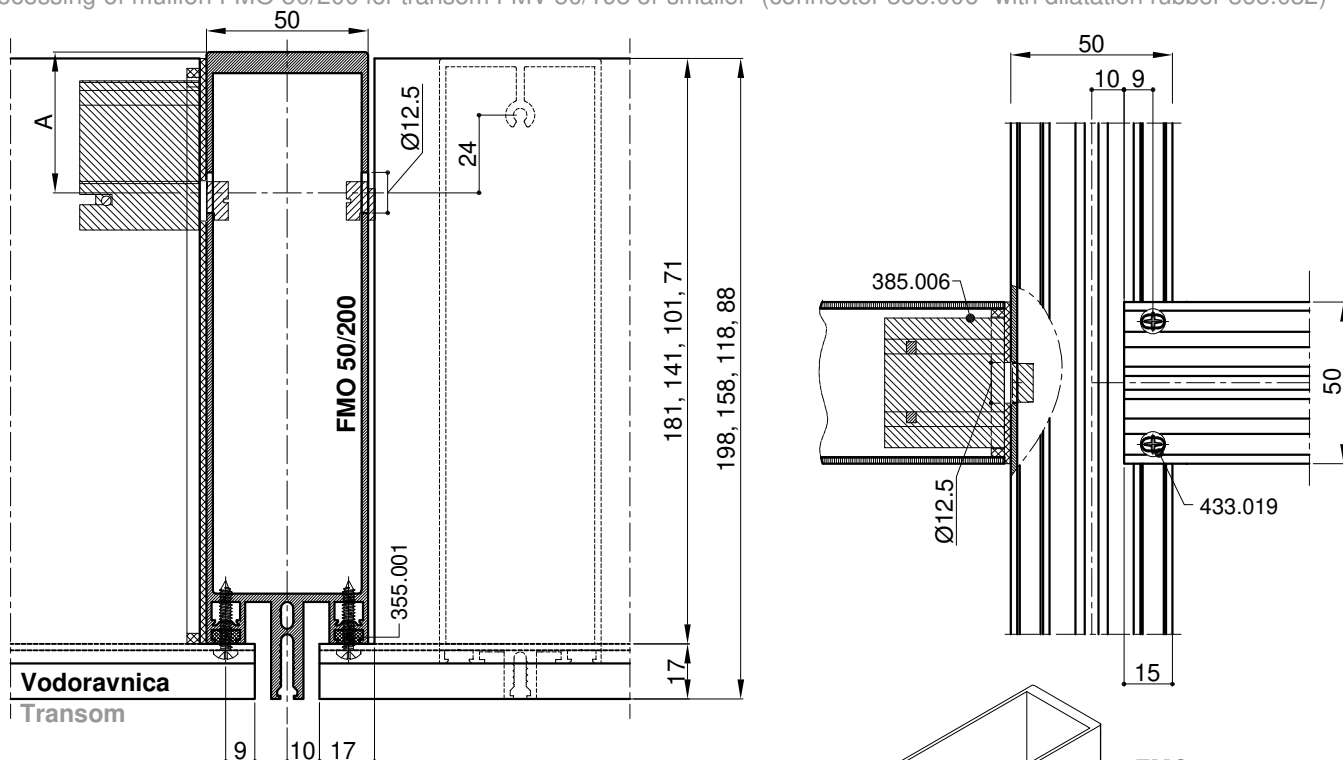


Vodoravnica Transom	Dimenzija A Dimension A
FMV 50/118	43,5 mm
FMV 50/88	73,5 mm

- Obrada okomice **FMO 50/90** za vodoravnicu **FMV 50/88** (kopča 385.006-bez dilatacijske brtve)
- Processing of mullion **FMO 50/90** for transom **FMV 50/88** (connector 385.006-without dilatation rubber)

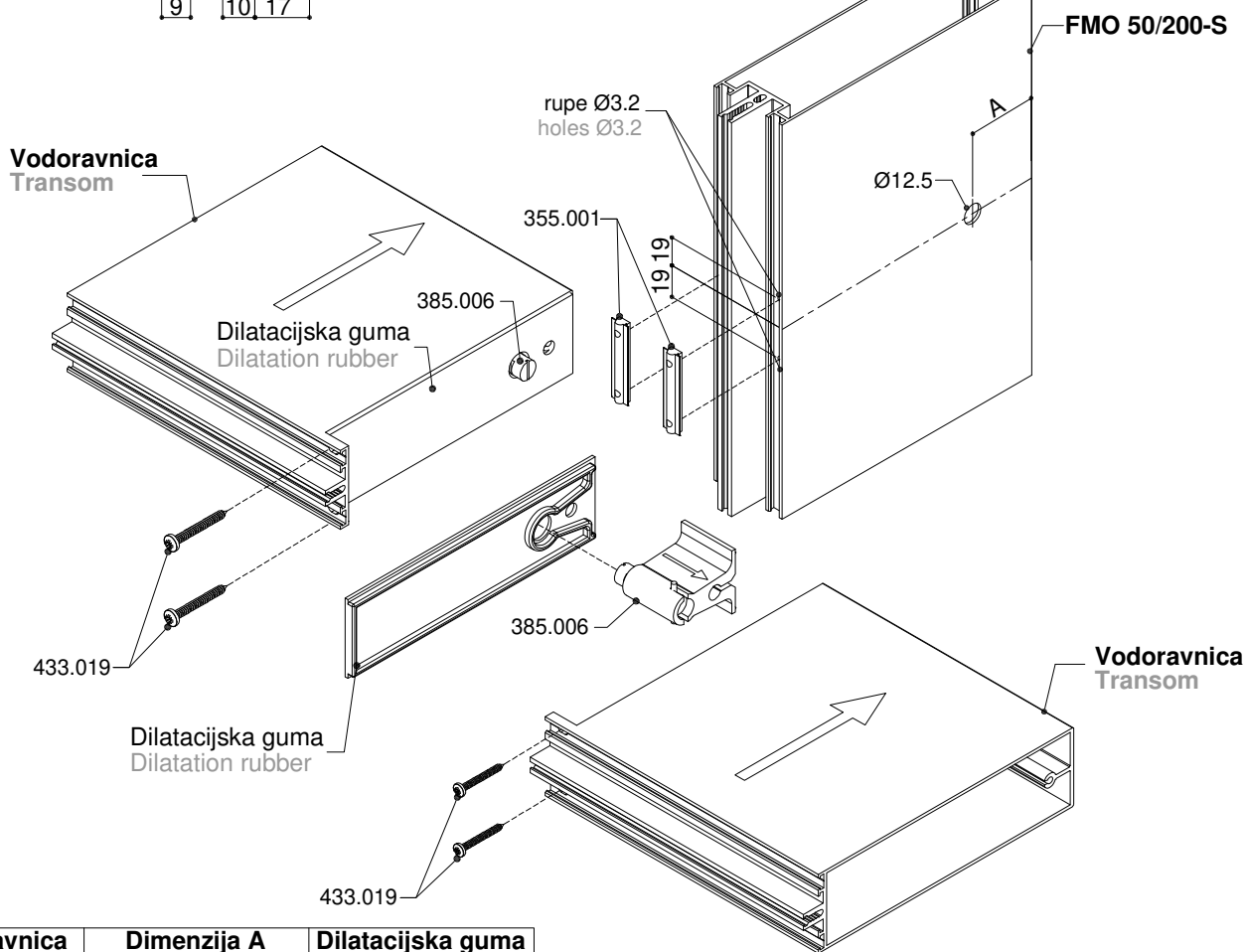
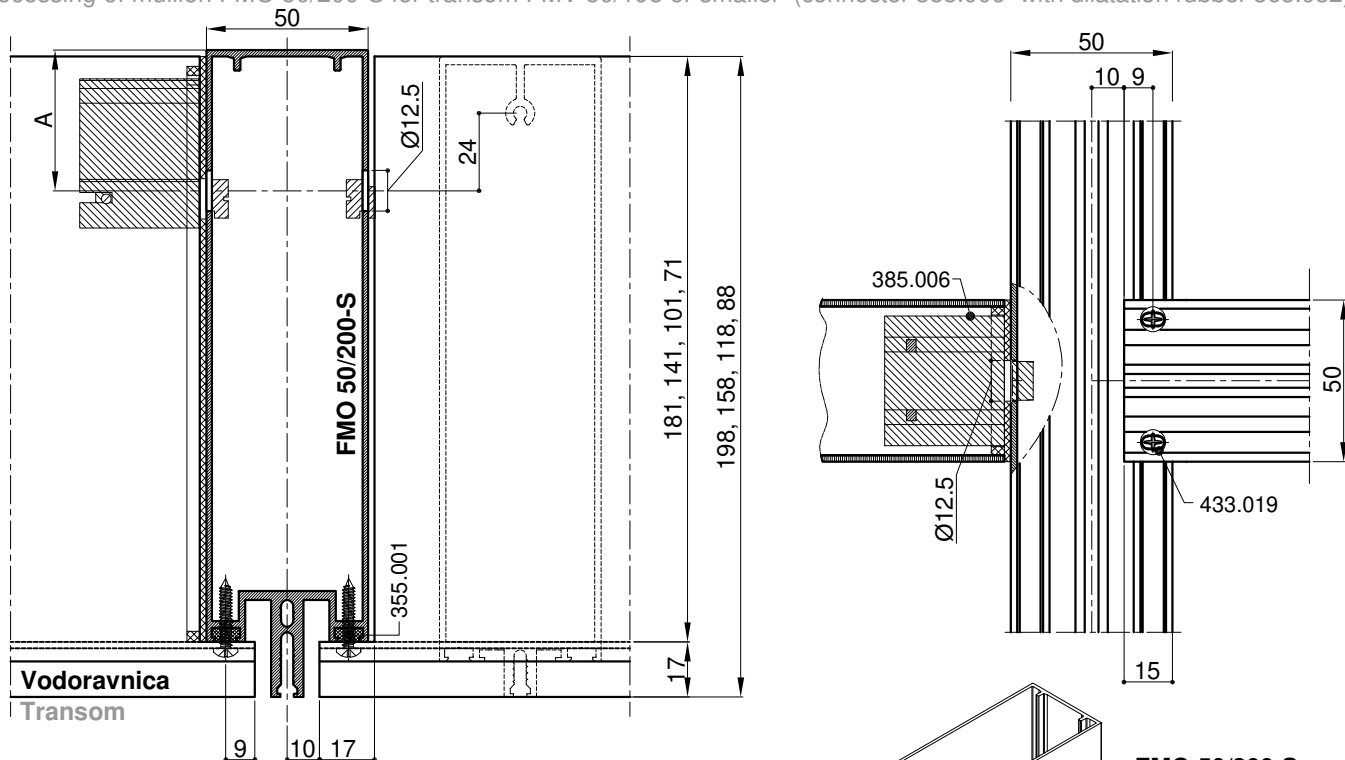


- Obrada okomice **FMO 50/200** za vodoravnicu **FMV 50/198 ili manju** (kopča 385.006 - sa dilatacijskom brtvom 365.032)
- Processing of mullion **FMO 50/200** for transom **FMV 50/198 or smaller** (connector 385.006- with dilatation rubber 365.032)



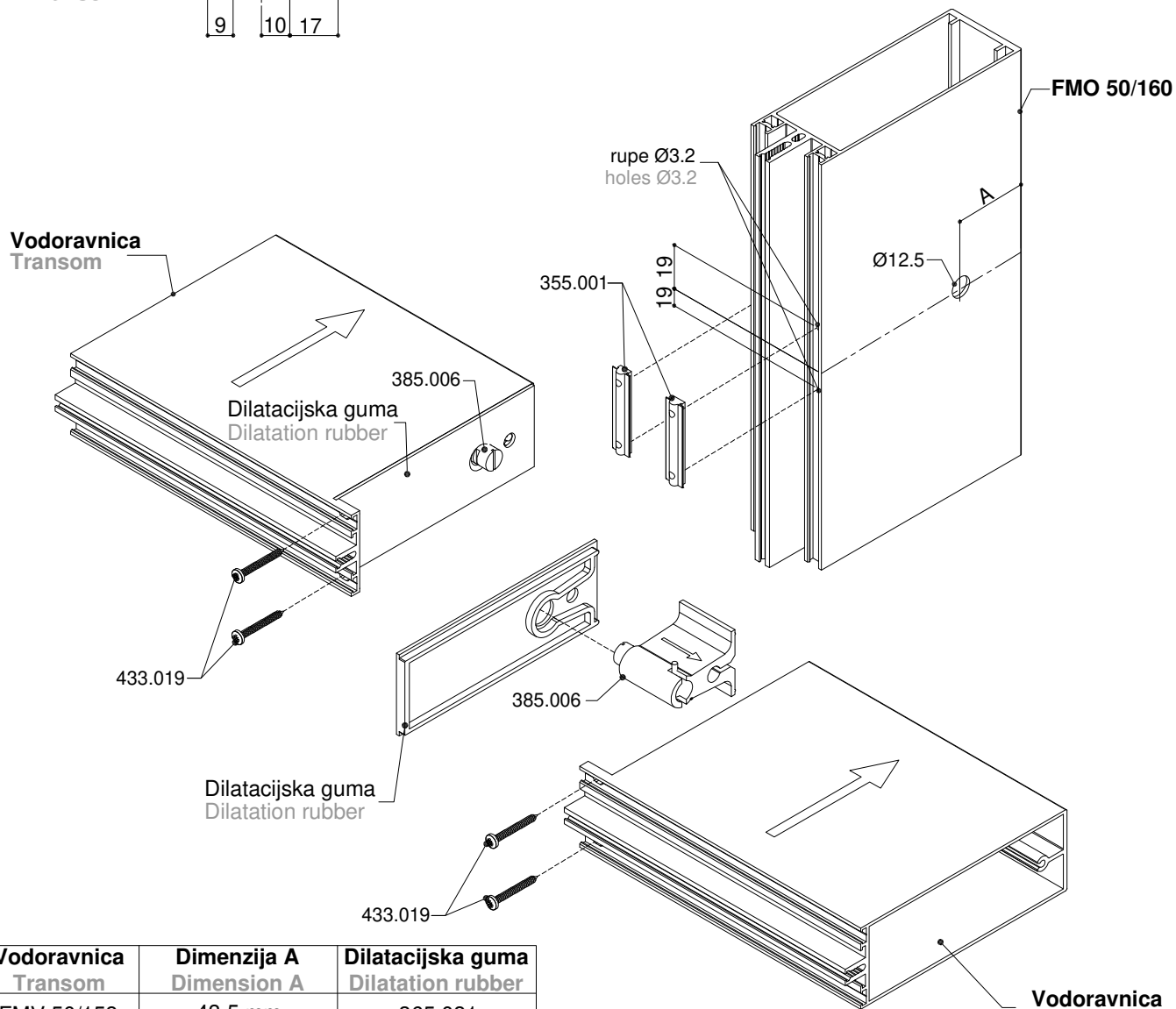
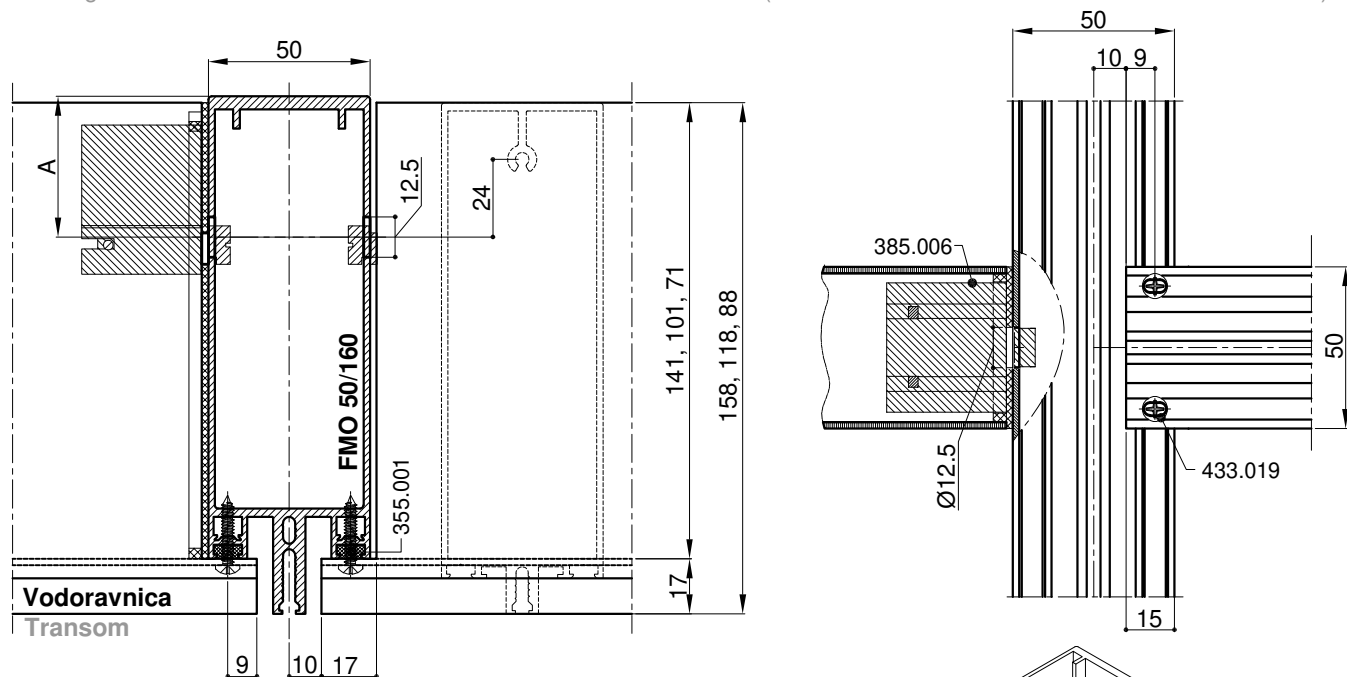
Vodoravnica Transom	Dimenzija A Dimension A	Dilatacijska guma Dilatation rubber
FMV 50/198	43,5 mm	365.032
FMV 50/158	83,5 mm	365.031
FMV 50/118	123,5 mm	365.030
FMV 50/88	153,5 mm	365.029

- Obrada okomice **FMO 50/200-S** za vodoravnicu **FMV 50/198 ili manju** (kopča 385.006 - sa dilatacijskom brtvom 365.032)
- Processing of mullion **FMO 50/200-S** for transom **FMV 50/198 or smaller** (connector 385.006- with dilatation rubber 365.032)



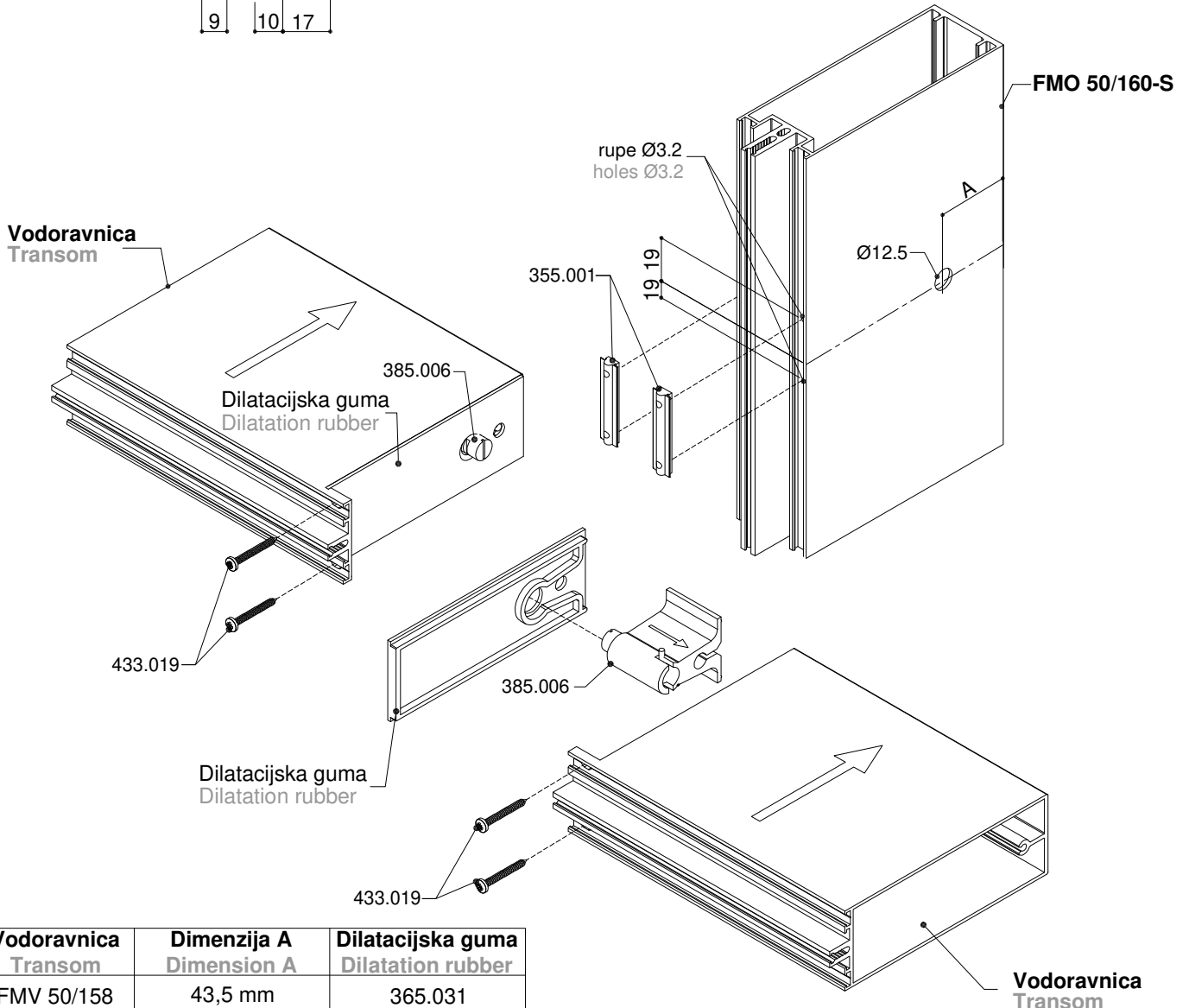
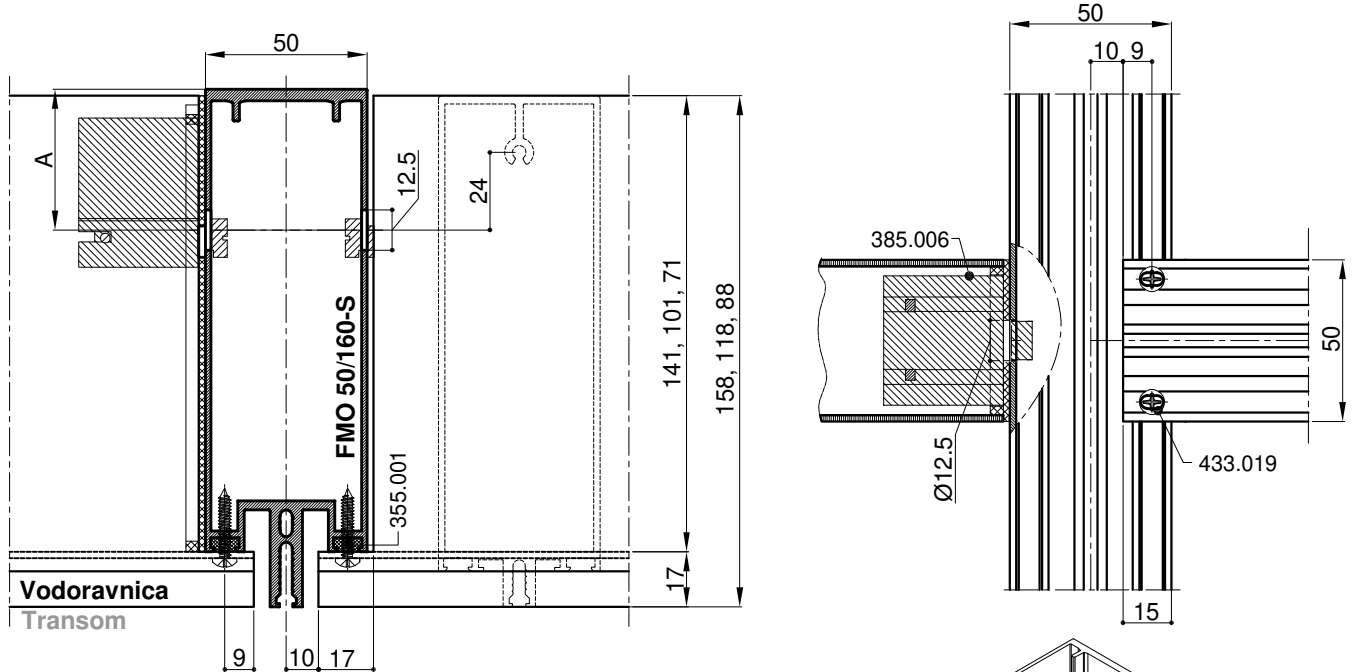
Vodoravnica Transom	Dimenzija A Dimension A	Dilatacijska guma Dilatation rubber
FMV 50/198	43,5 mm	365.032
FMV 50/158	83,5 mm	365.031
FMV 50/118	123,5 mm	365.030
FMV 50/88	153,5 mm	365.029

- Obrada okomice **FMO 50/160** za vodoravnicu **FMV 50/158 ili manju** (kopča 385.006 - sa dilatacijskom brtvom 365.032)
- Processing of mullion **FMO 50/160** for transom **FMV 50/158 or smaller** (connector 385.006- with dilatation rubber 365.032)



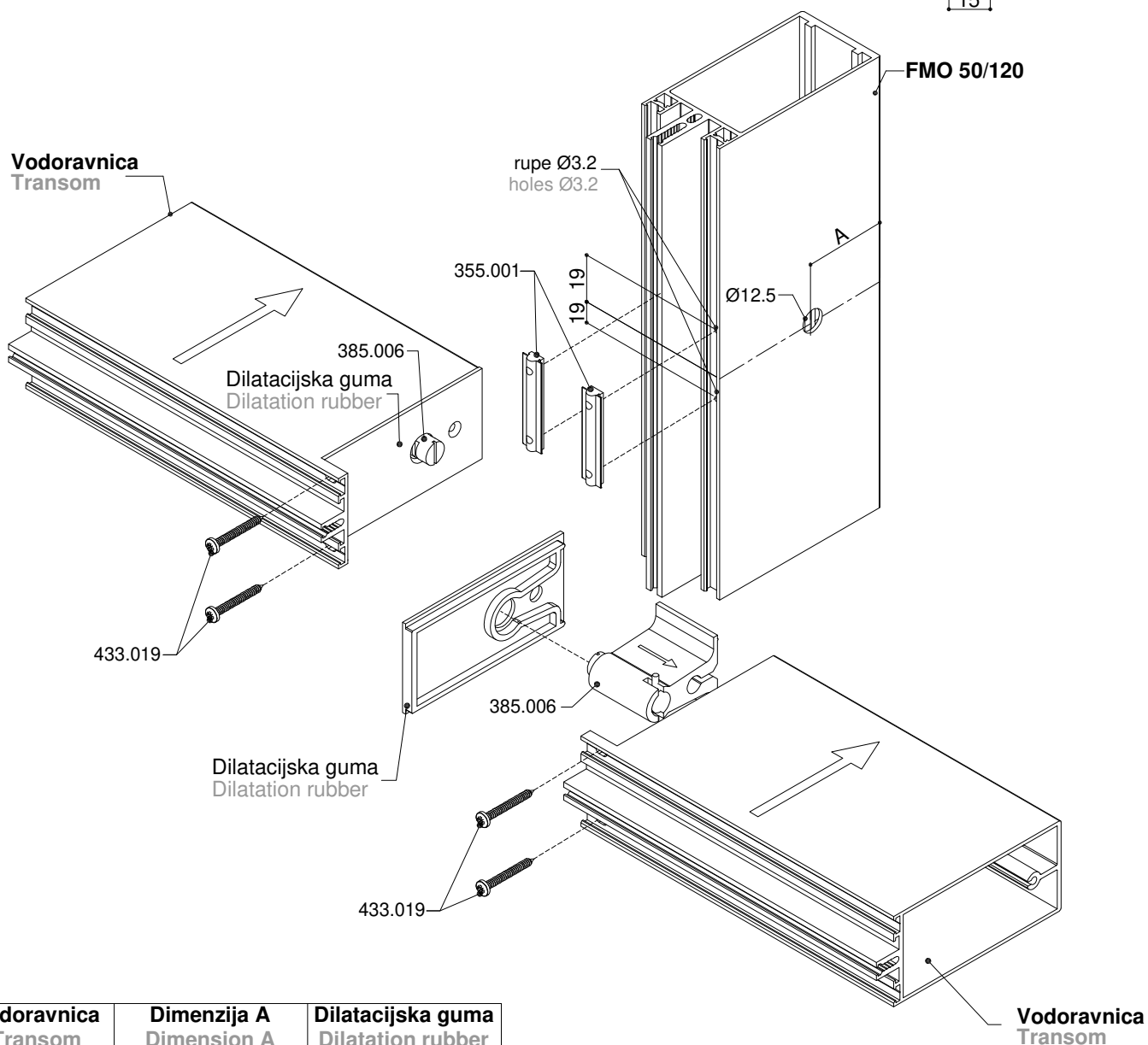
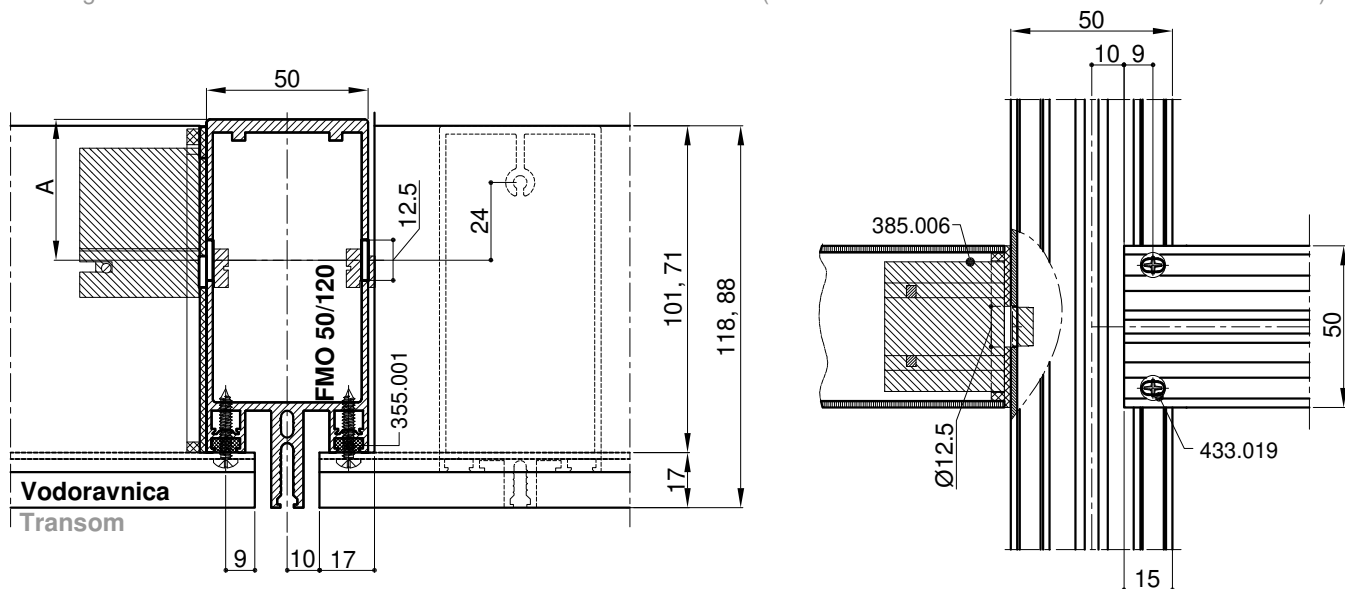
Vodoravnica Transom	Dimenzija A Dimension A	Dilatacijska guma Dilatation rubber
FMV 50/158	43,5 mm	365.031
FMV 50/118	83,5 mm	365.030
FMV 50/88	113,5 mm	365.029

- Obrada okomice **FMO 50/160-S** za vodoravnicu **FMV 50/158 ili manju** (kopča 385.006 - sa dilatacijskom brtvom 365.032)
- Processing of mullion **FMO 50/160-S** for transom **FMV 50/158 or smaller** (connector 385.006- with dilatation rubber 365.032)



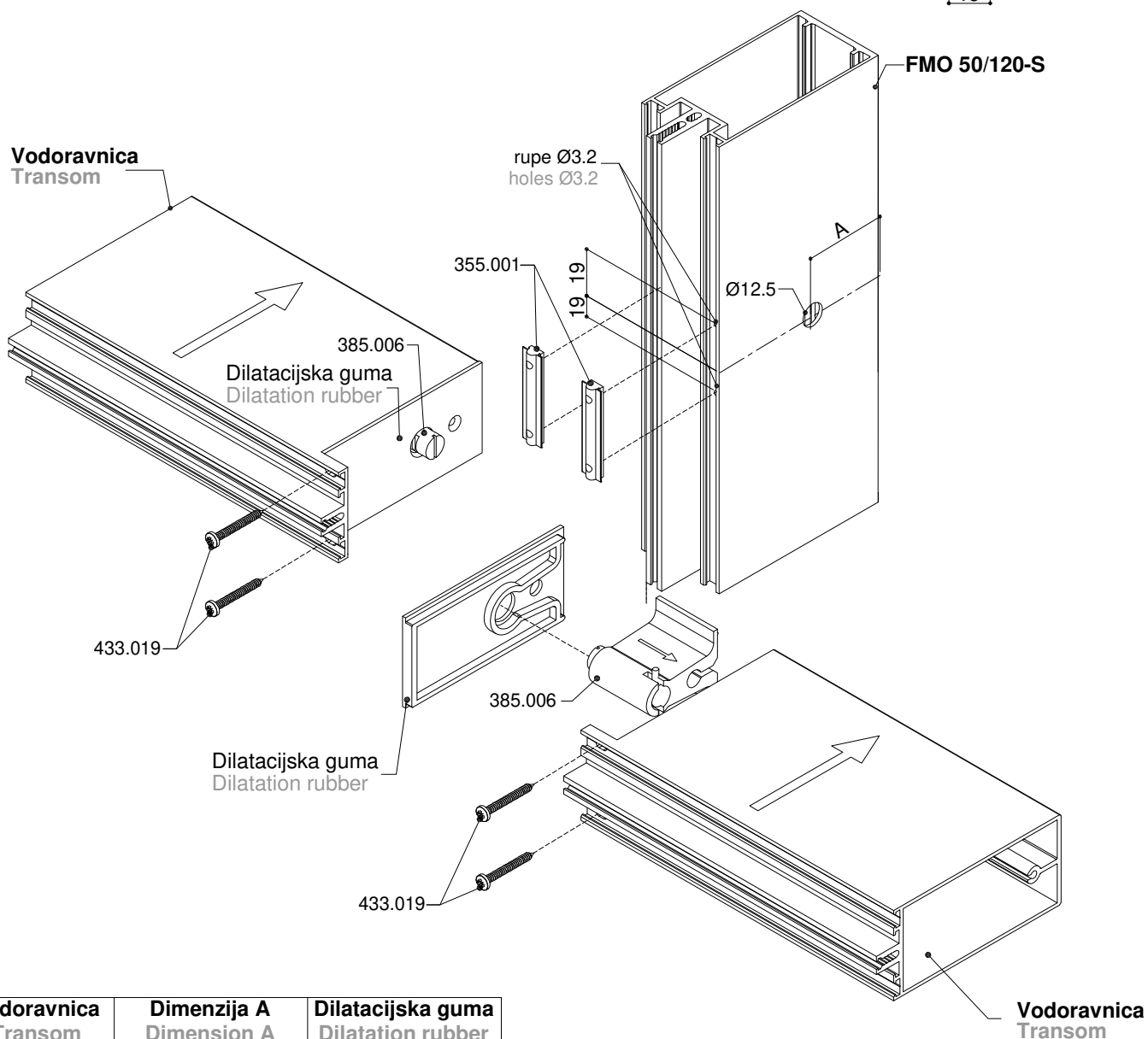
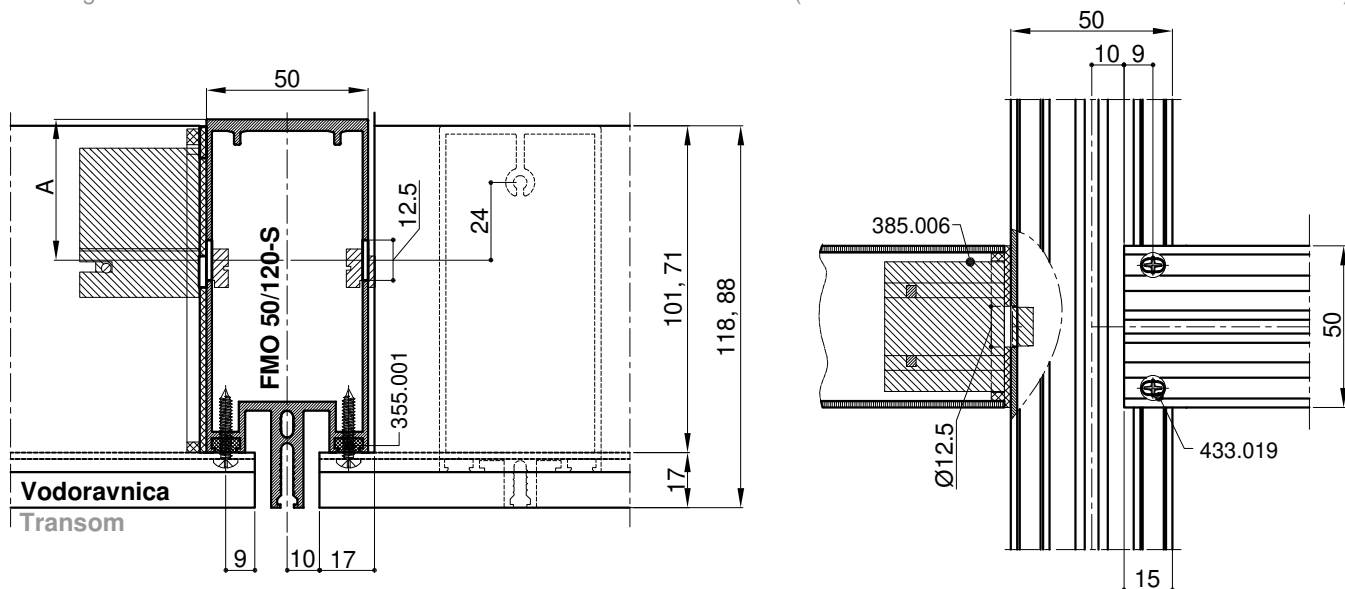
Vodoravnica Transom	Dimenzija A Dimension A	Dilatacijska guma Dilatation rubber
FMV 50/158	43,5 mm	365.031
FMV 50/118	83,5 mm	365.030
FMV 50/88	113,5 mm	365.029

- Obrada okomice **FMO 50/120** za vodoravnicu **FMV 50/118 ili manju** (kopča 385.006 - sa dilatacijskom brtvom 365.032)
- Processing of mullion **FMO 50/120** for transom **FMV 50/118 or smaller** (connector 385.006- with dilatation rubber 365.032)



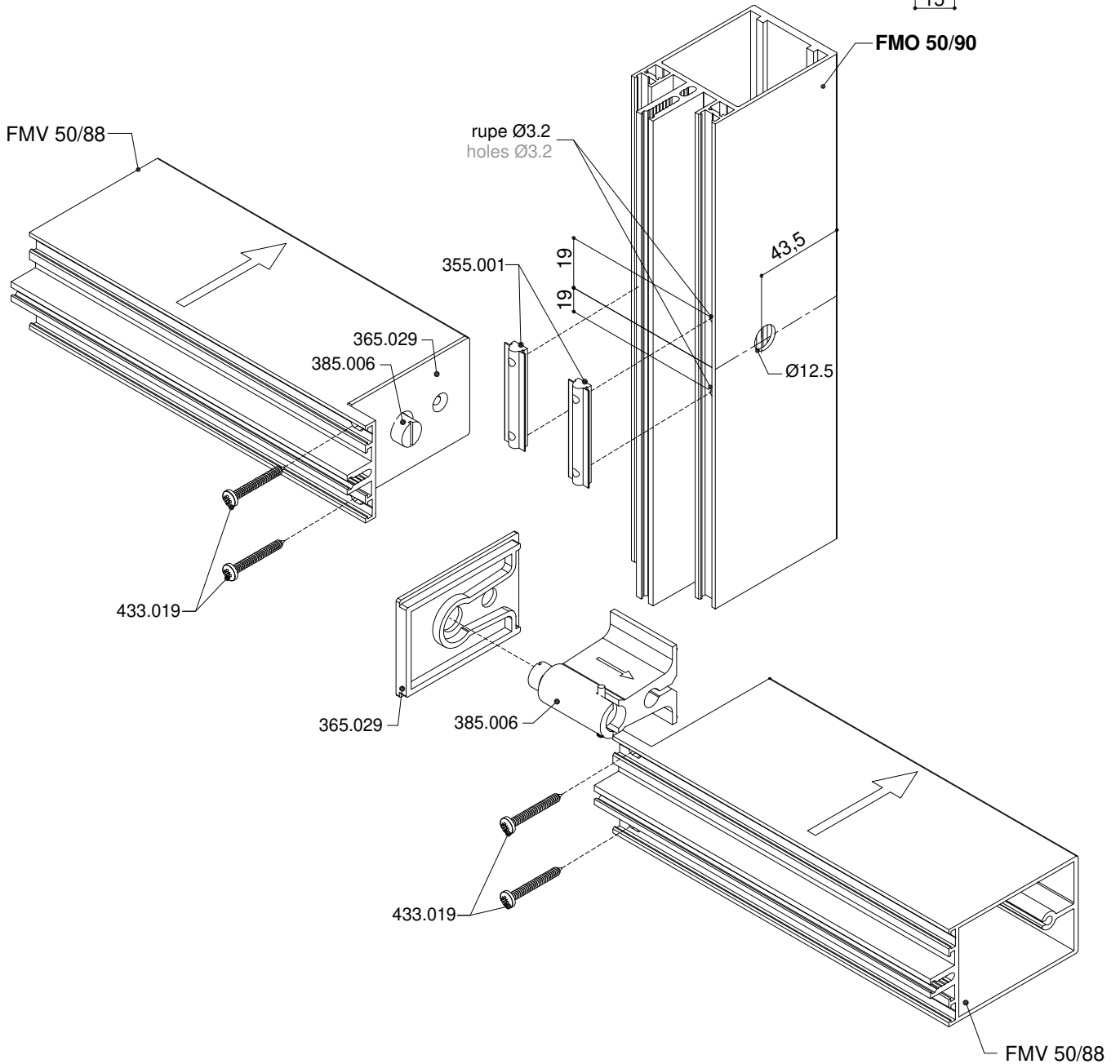
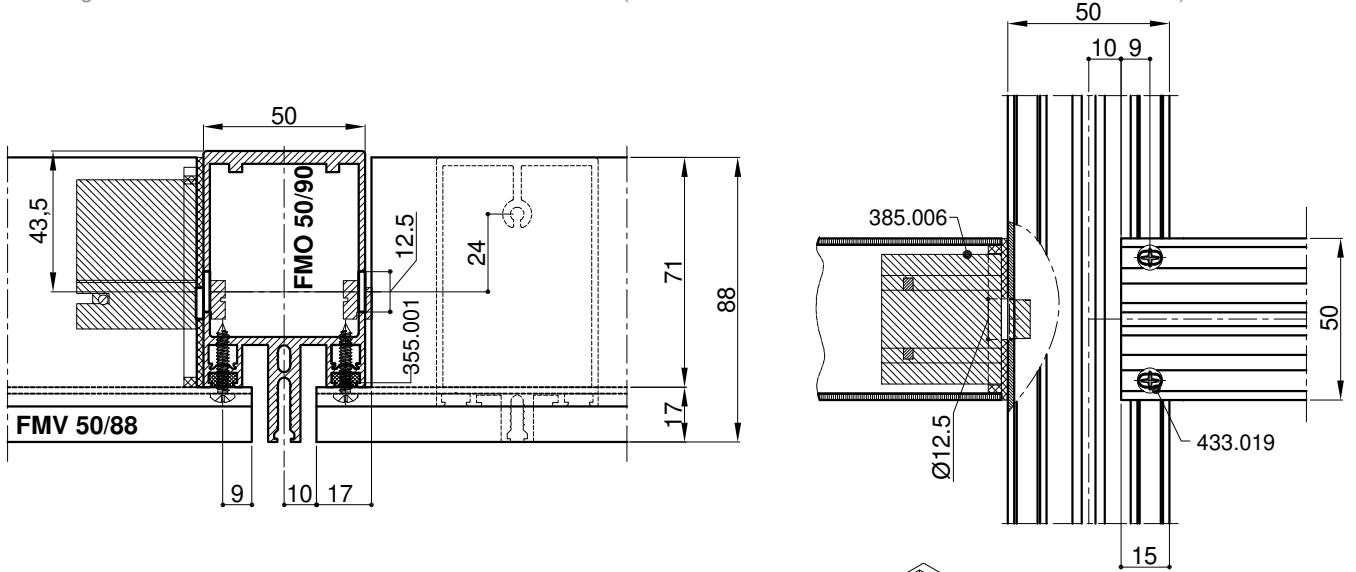
Vodoravnica Transom	Dimenzija A Dimension A	Dilatacijska guma Dilatation rubber
FMV 50/118	43,5 mm	365.030
FMV 50/88	73,5 mm	365.029

- Obrada okomice **FMO 50/120-S** za vodoravnicu **FMV 50/118 ili manju** (kopča 385.006 - sa dilatacijskom brtvom 365.032)
- Processing of mullion **FMO 50/120-S** for transom **FMV 50/118 or smaller** (connector 385.006- with dilatation rubber 365.032)



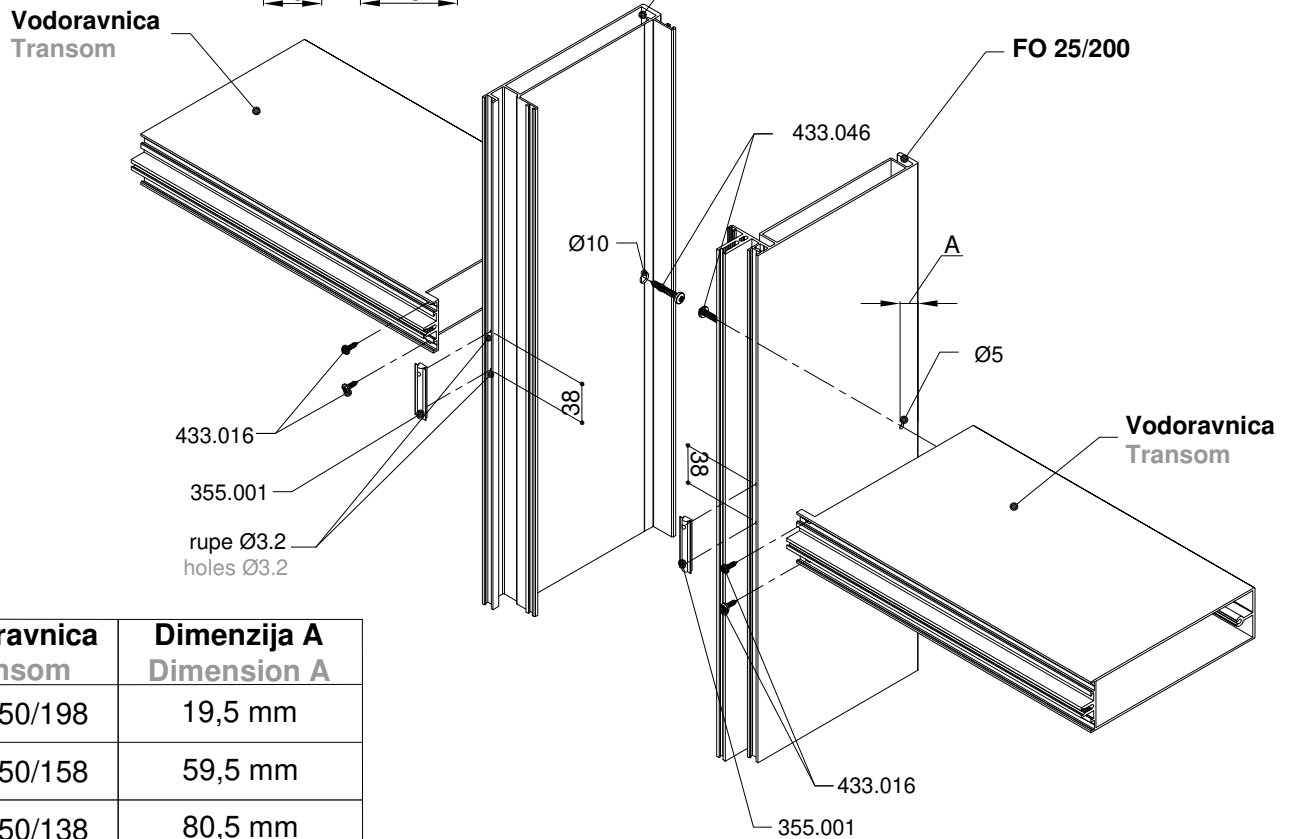
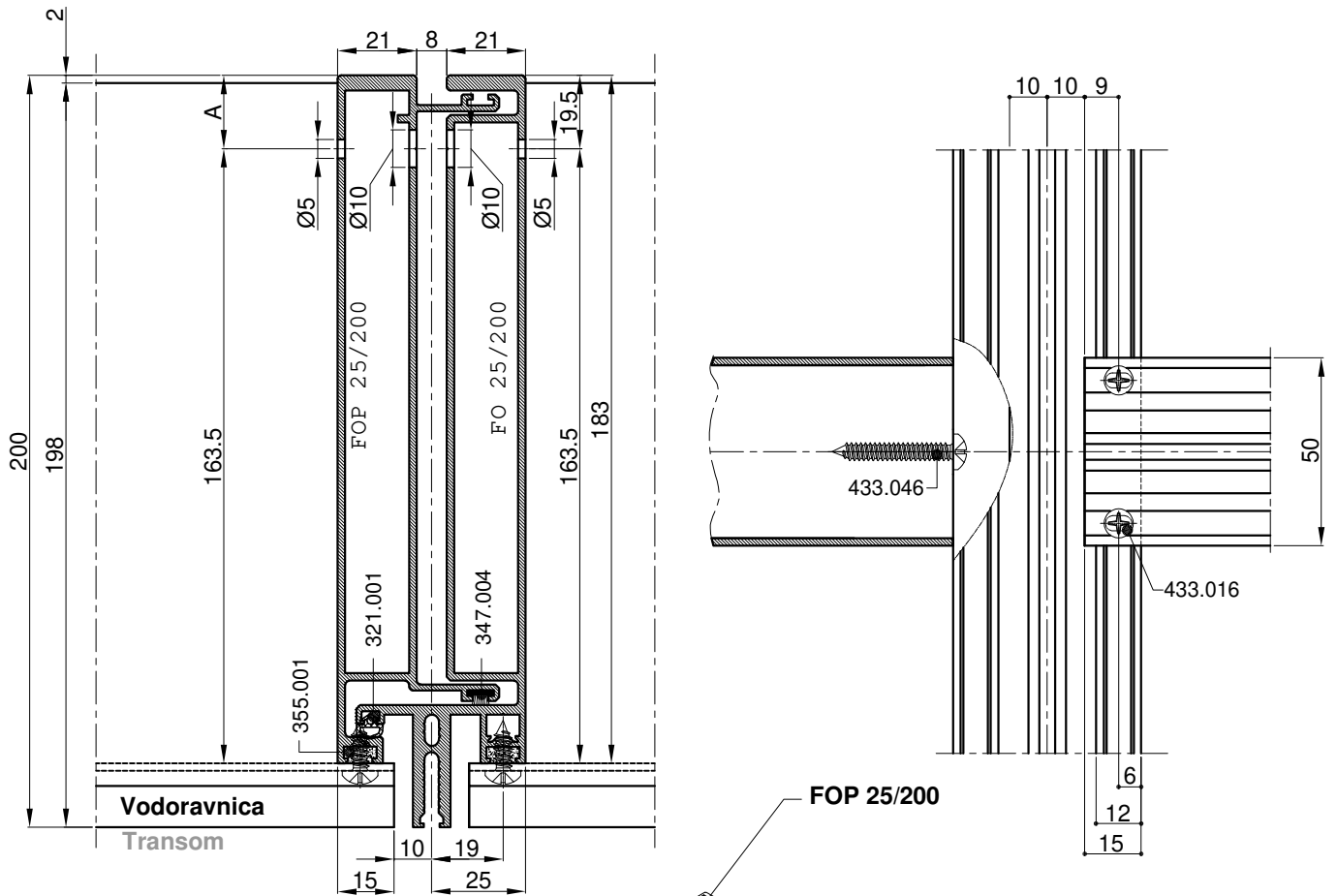
Vodoravnica Transom	Dimenzija A Dimension A	Dilatacijska guma Dilatation rubber
FMV 50/118	43,5 mm	365.030
FMV 50/88	73,5 mm	365.029

- Obrada okomice **FMO 50/90** za vodoravnicu **FMV 50/88** (kopča 385.006 - sa dilatacijskom brtvom 365.032)
- Processing of mullion **FMO 50/90** for transom **FMV 50/88** (connector 385.006- with dilatation rubber 365.032)



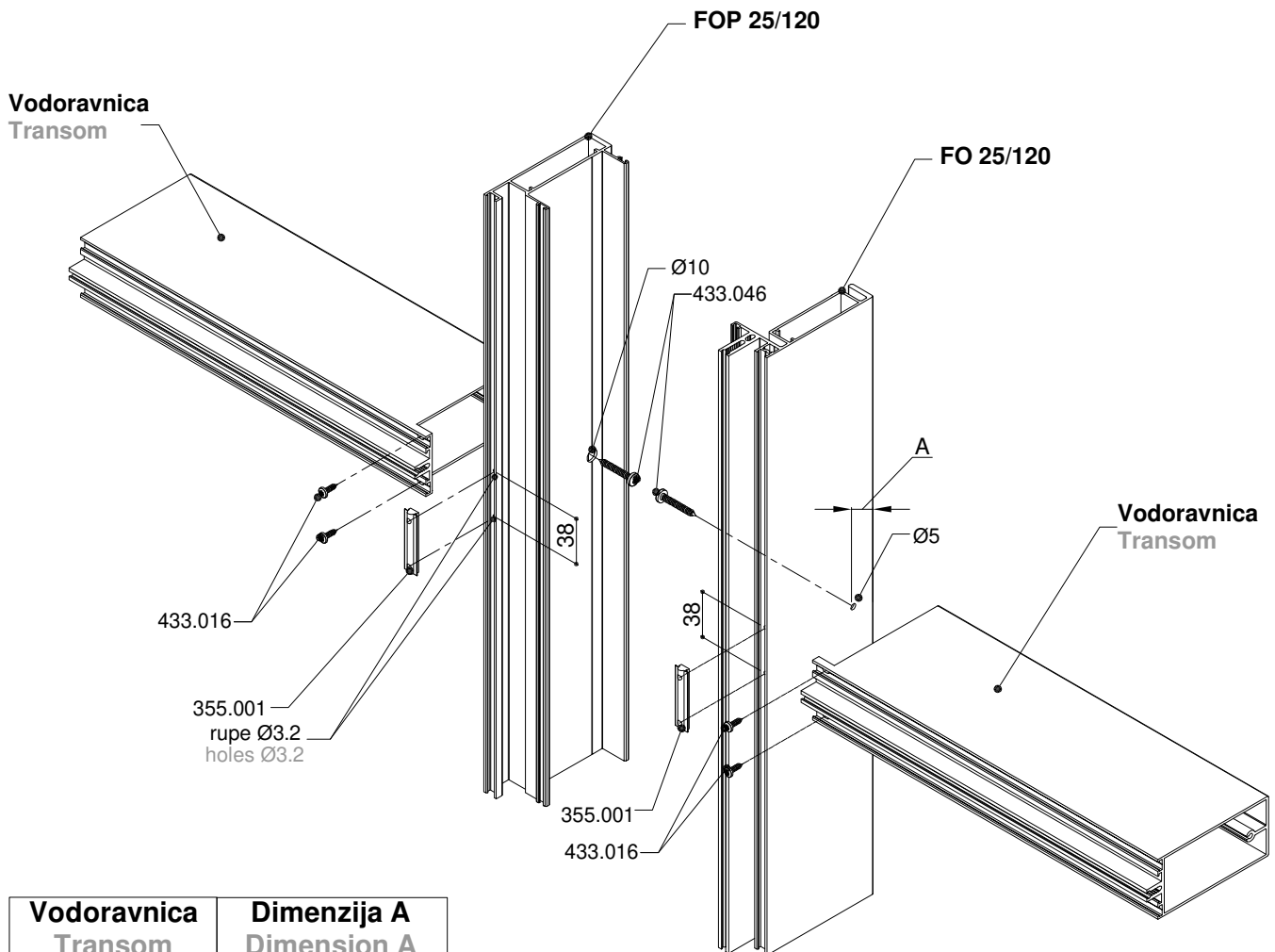
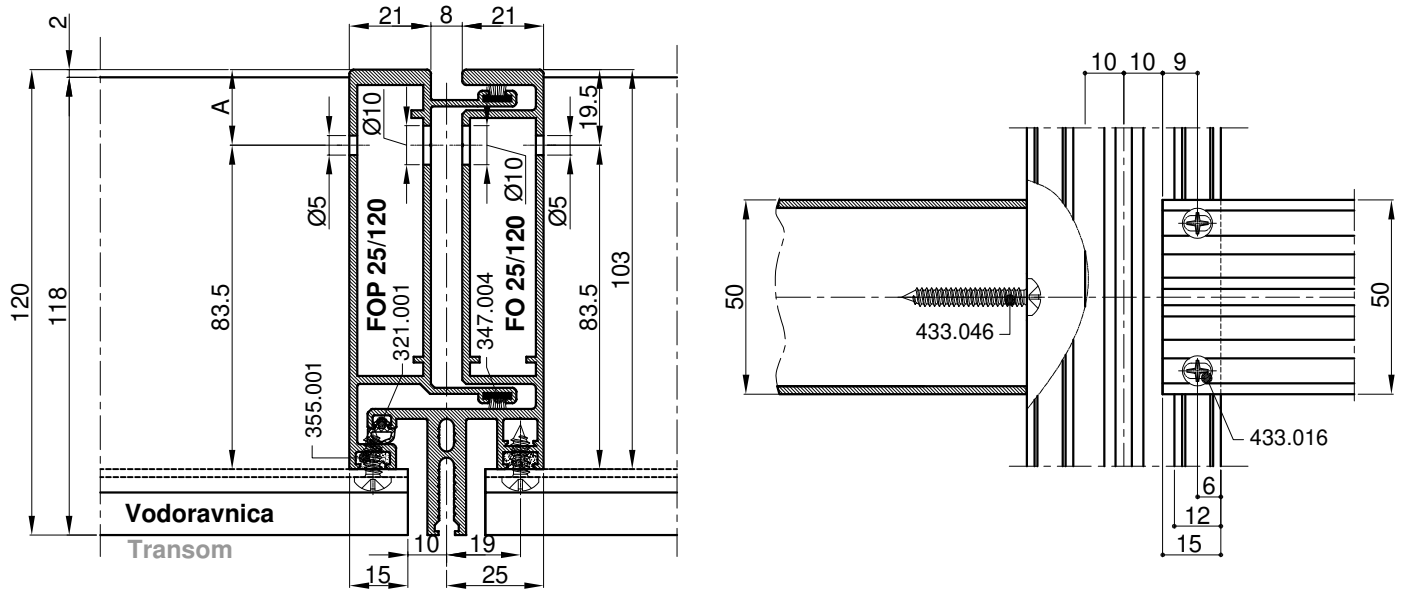
- Obrada poluokomica FOP 25/200 i FO 25/200 za vodoravnicu FMV 50/198 (vijak 433.046; bez dilatacijske brtve)

- Processing of dilatation mullion FOP 25/200 and FO 25/200 for transom FMV 50/198 (screw 433.046; without dilatation rubber)



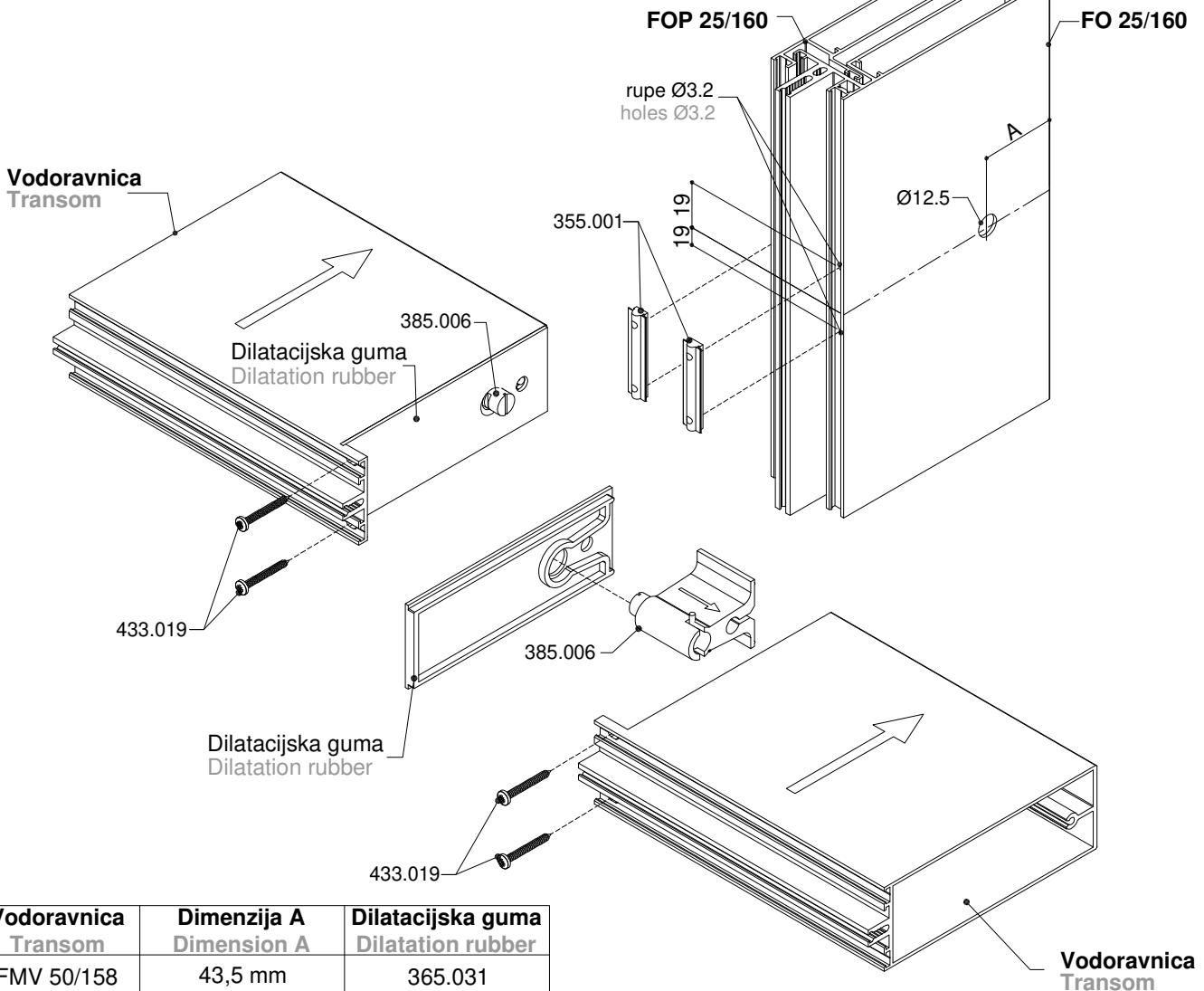
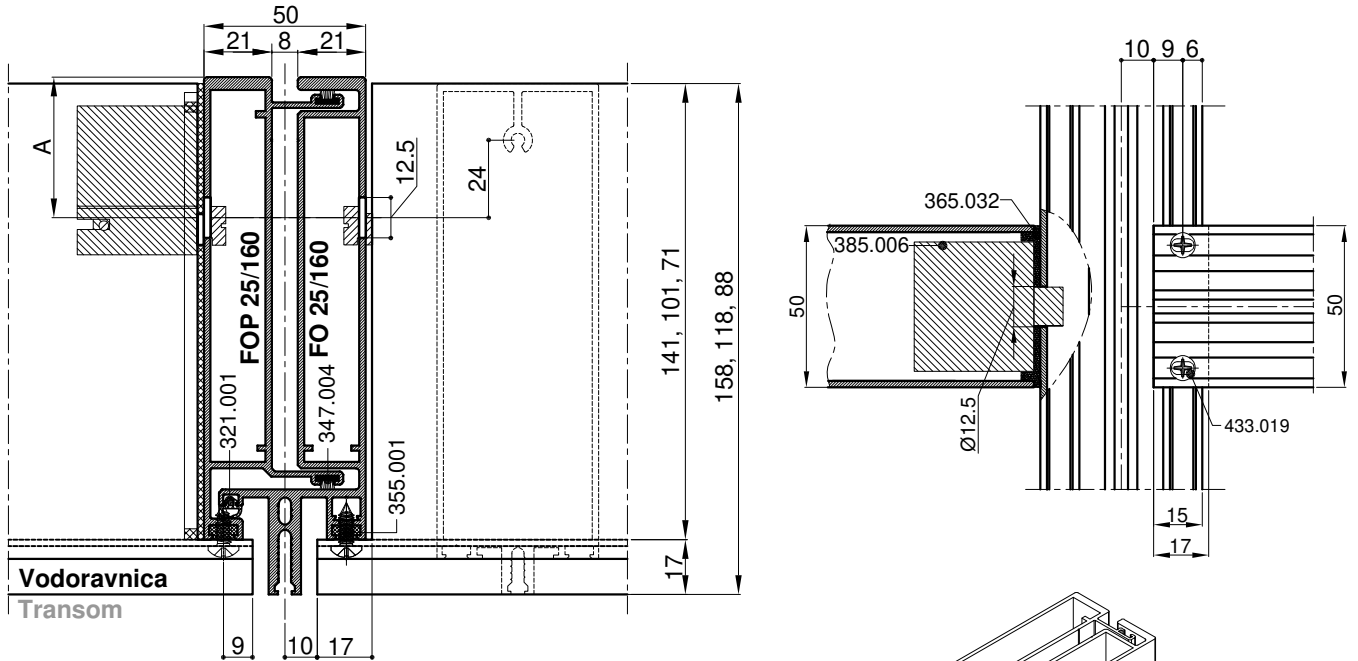
Vodoravnica Transom	Dimenzija A Dimension A
FMV 50/198	19,5 mm
FMV 50/158	59,5 mm
FMV 50/138	80,5 mm
FMV 50/118	99,5 mm
FMV 50/88	129,5 mm

- Obrada Poluokomica **FOP 25/120** i **FO 25/120** za vodoravnicu **FMV 50/118** (vijak 433.046; bez dilatacijske brtve)
- Processing of dilatation mullion **FOP 25/120** and **FO 25/120** for transom **FMV 50/118** (screw 433.046; without dilatation rubber)



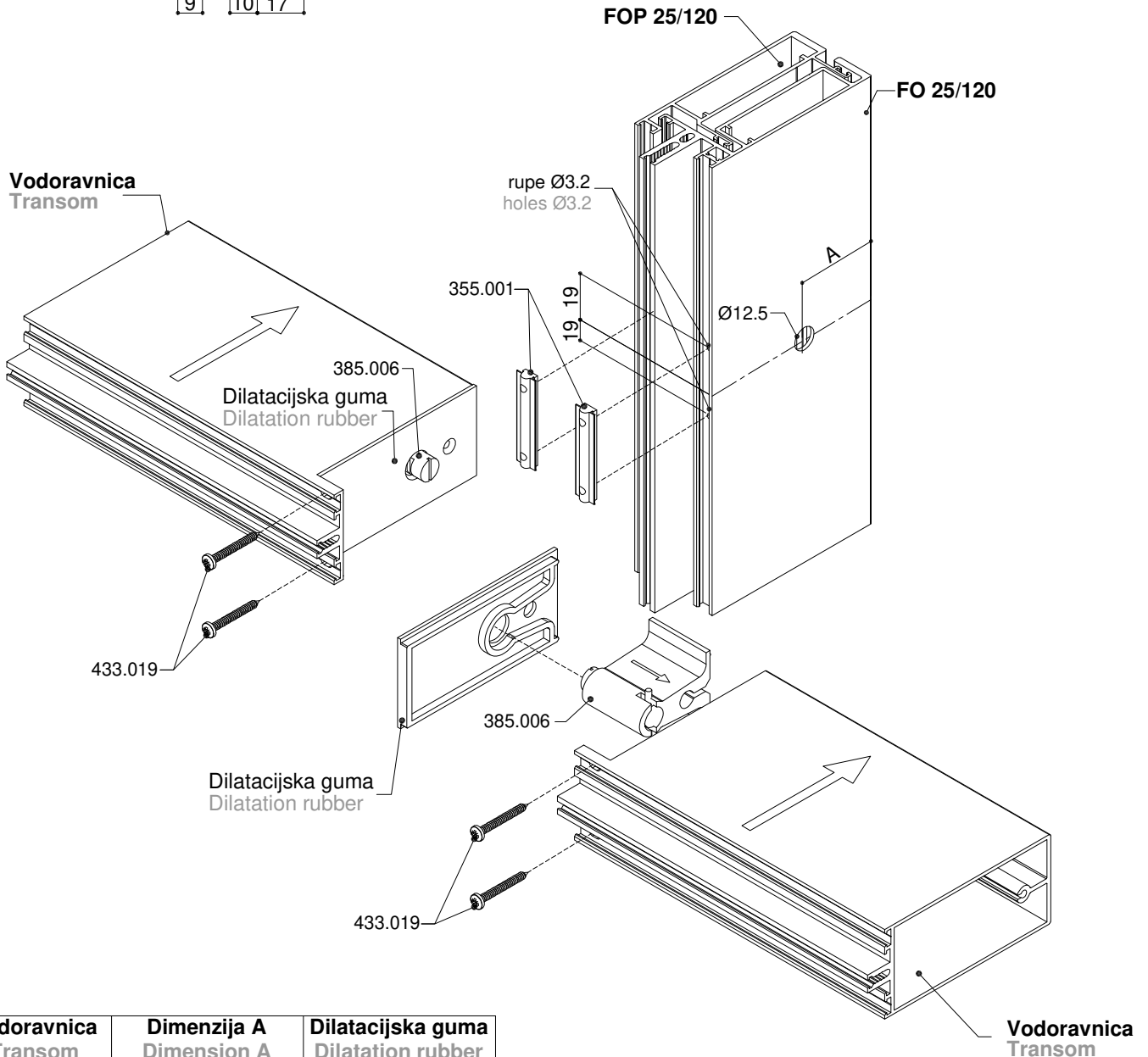
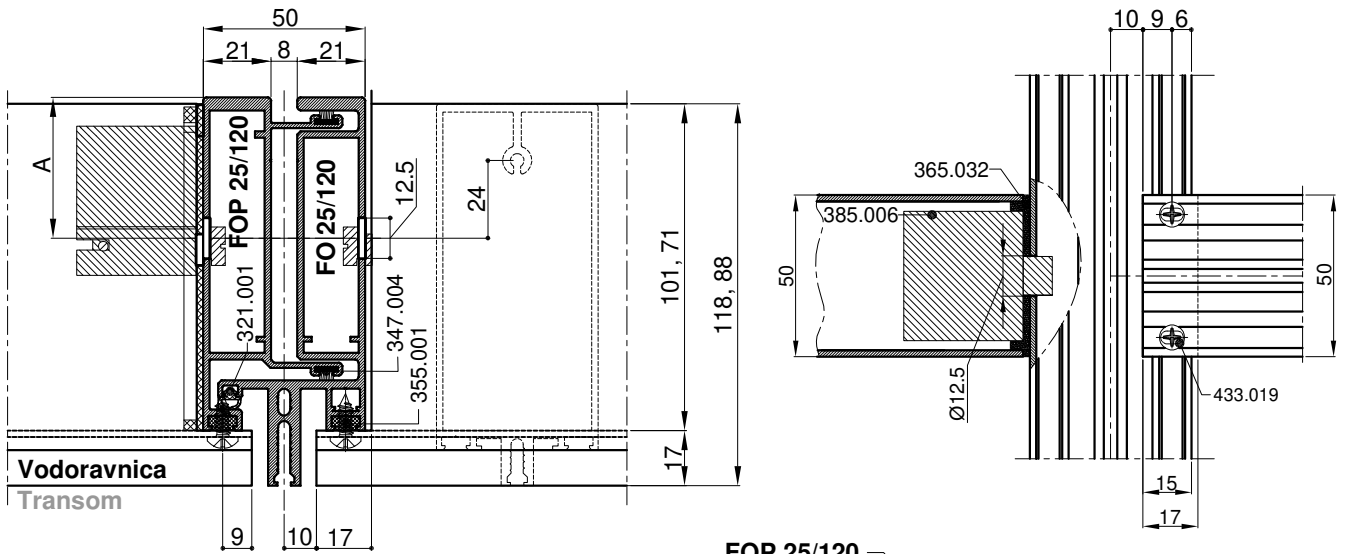
Vodoravnica Transom	Dimenzija A Dimension A
FMV 50/118	19,5 mm
FMV 50/88	49,5 mm

- Obrada okomice **FOP 25/160** i **FO 25/160** za vodoravnicu **FMV 50/158** ili **manju** (kopča 385.006 - sa dilatacijskom brtvom 365.032)
- Processing of mullion **FOP 25/160** i **FO 25/160** for transom **FMV 50/158** or smaller (connector 385.006- with dilatation rubber 365.032)



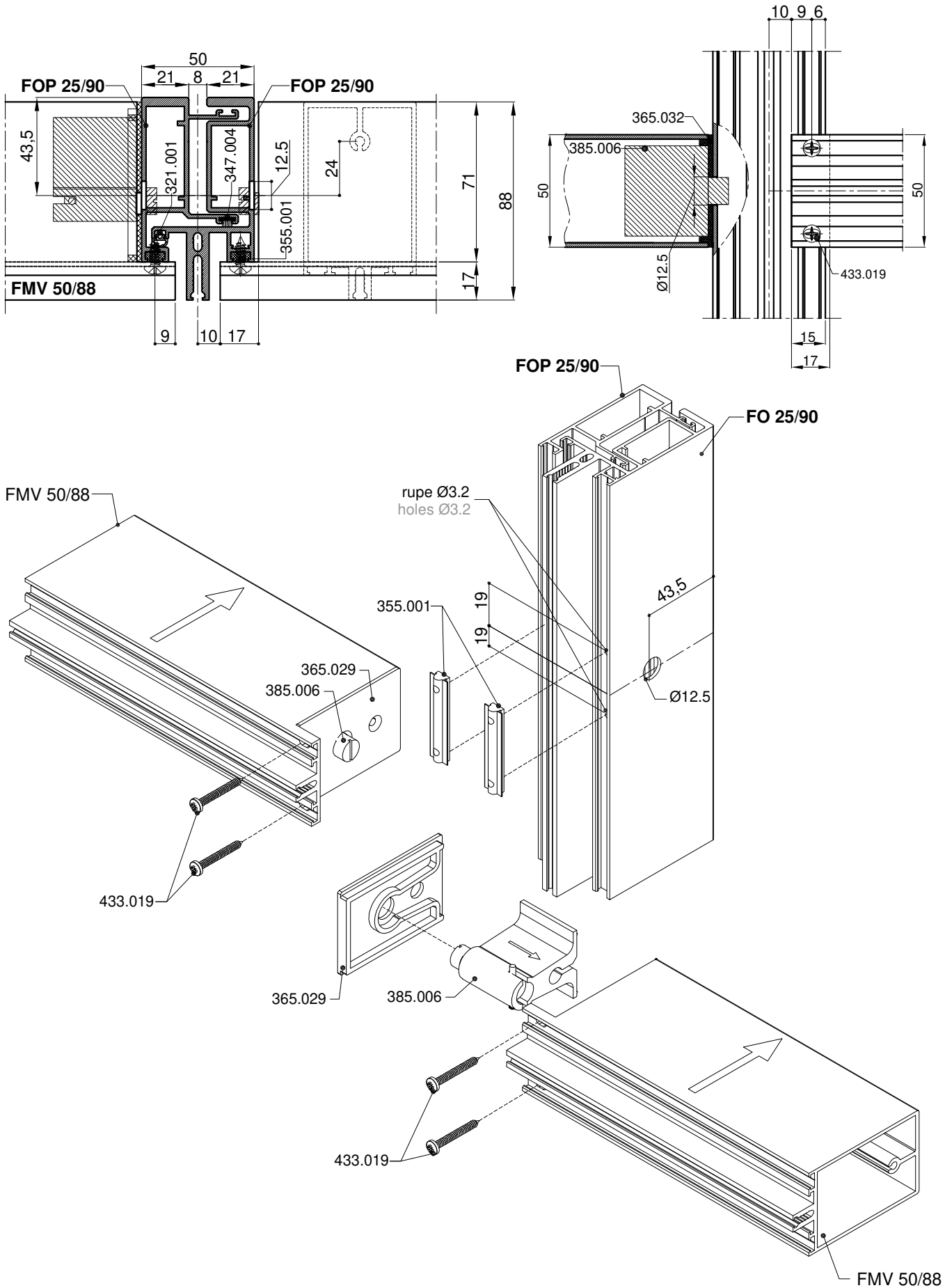
Vodoravnica Transom	Dimenzija A Dimension A	Dilatacijska guma Dilatation rubber
FMV 50/158	43,5 mm	365.031
FMV 50/118	83,5 mm	365.030
FMV 50/88	113,5 mm	365.029

- Obrada okomice **FMO 50/120** za vodoravnicu **FMV 50/118 ili manju** (kopča 385.006 - sa dilatacijskom brtvom 365.032)
- Processing of mullion **FMO 50/120** for transom **FMV 50/118 or smaller** (connector 385.006- with dilatation rubber 365.032)

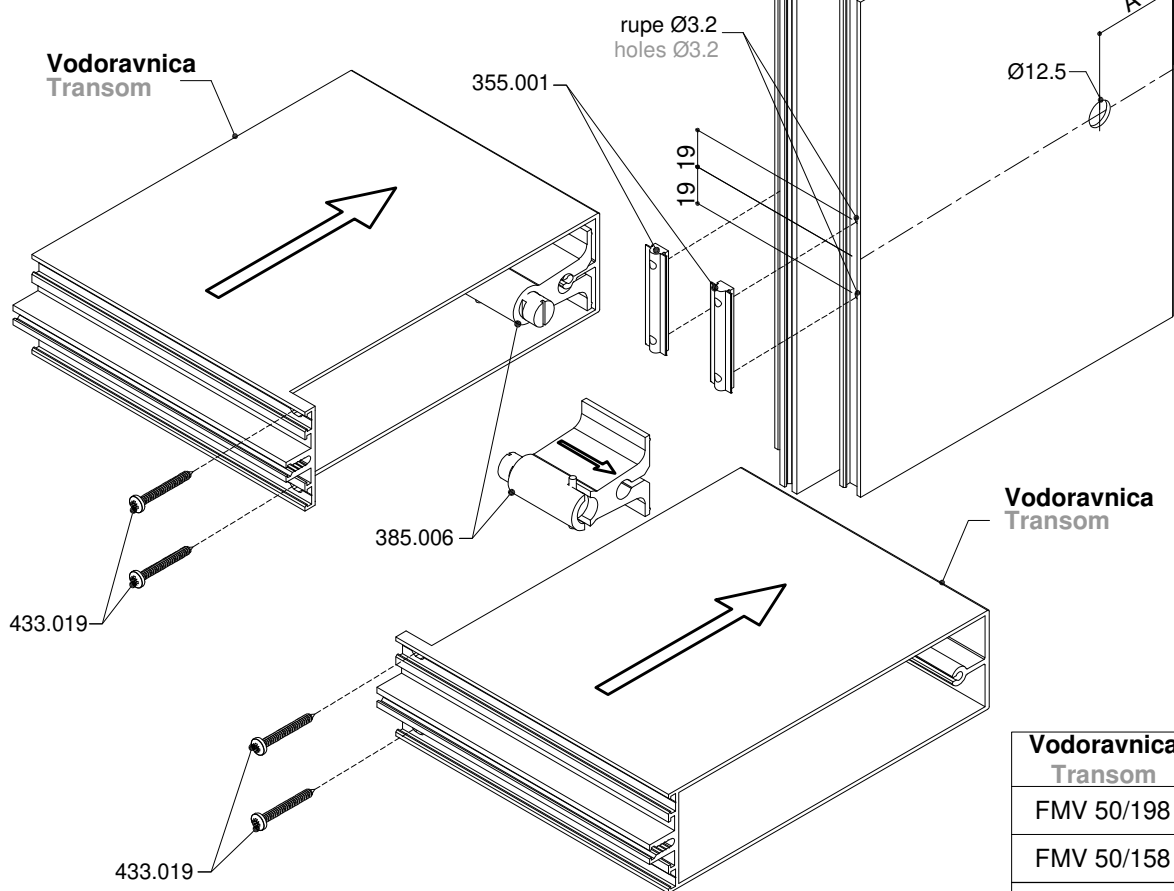
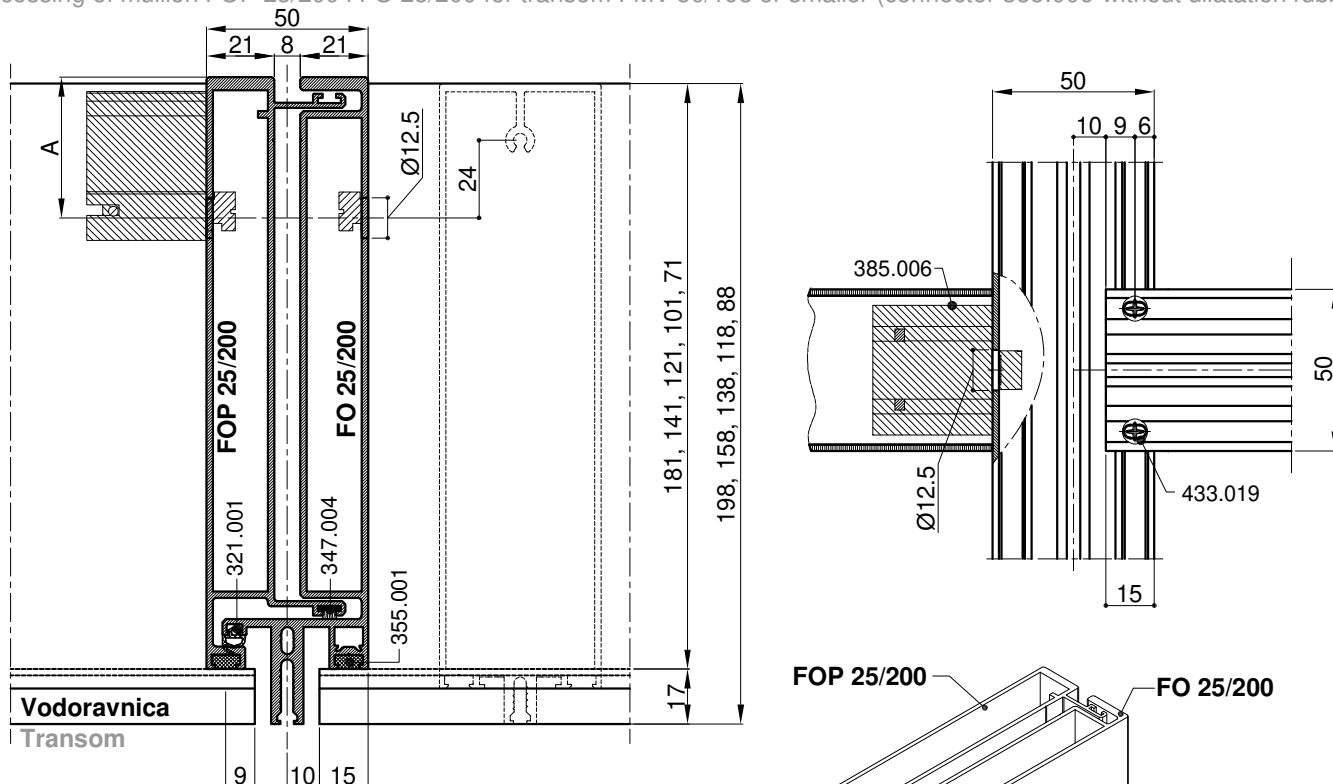


Vodoravnica Transom	Dimenzija A Dimension A	Dilatacijska guma Dilatation rubber
FMV 50/118	43,5 mm	365.030
FMV 50/88	73,5 mm	365.029

- Obrada okomice **FOP 25/90** i **FO 25/90** za vodoravnicu **FMV 50/88** (kopča 385.006 - sa dilatacijskom brtvom 365.032)
- Processing of mullion **FOP 25/90** i **FO 25/90** for transom **FMV 50/88** (connector 385.006- with dilatation rubber 365.032)

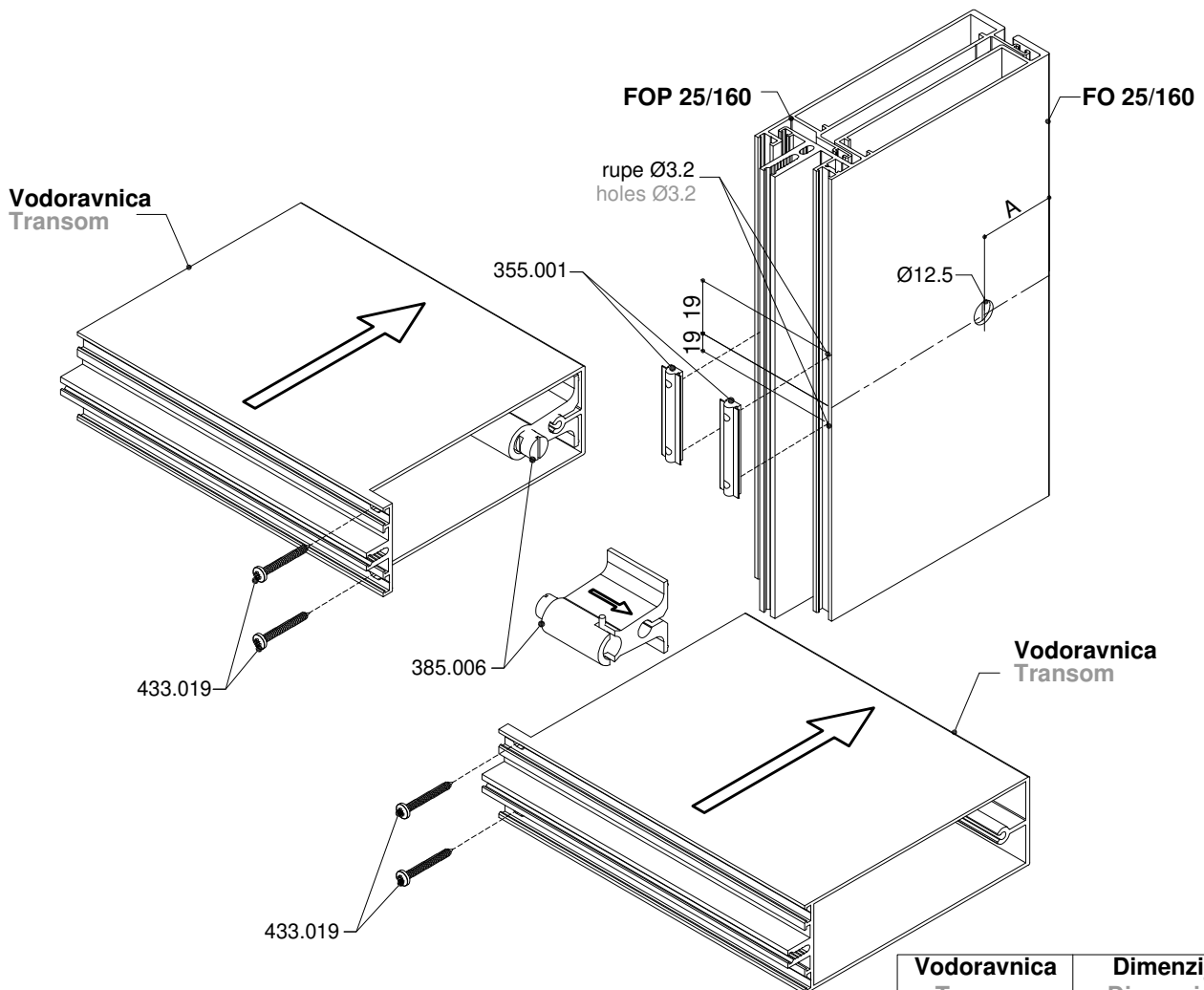
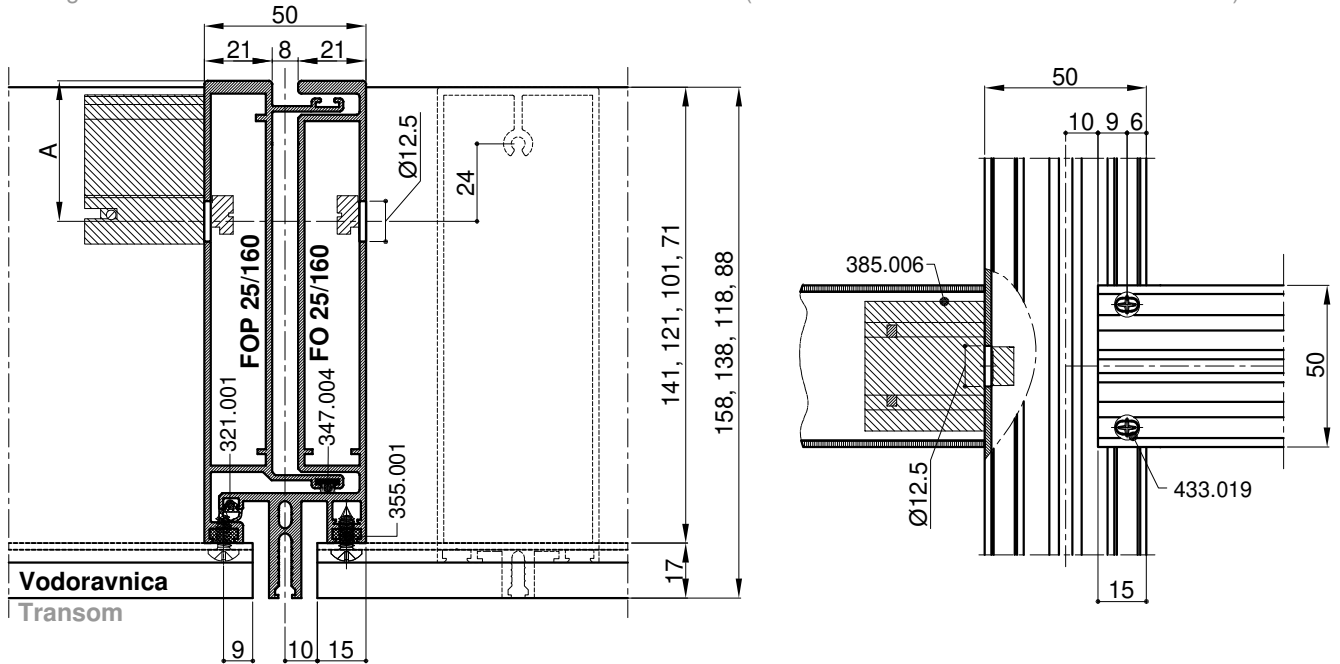


- Obrada okomice **FOP 25/200 i FO 25/200** za vodoravnicu **FMV 50/198 ili manju** (kopča 385.006-bez dilatacijske brtve)
- Processing of mullion **FOP 25/200 i FO 25/200** for transom **FMV 50/198 or smaller** (connector 385.006-without dilatation rubber)



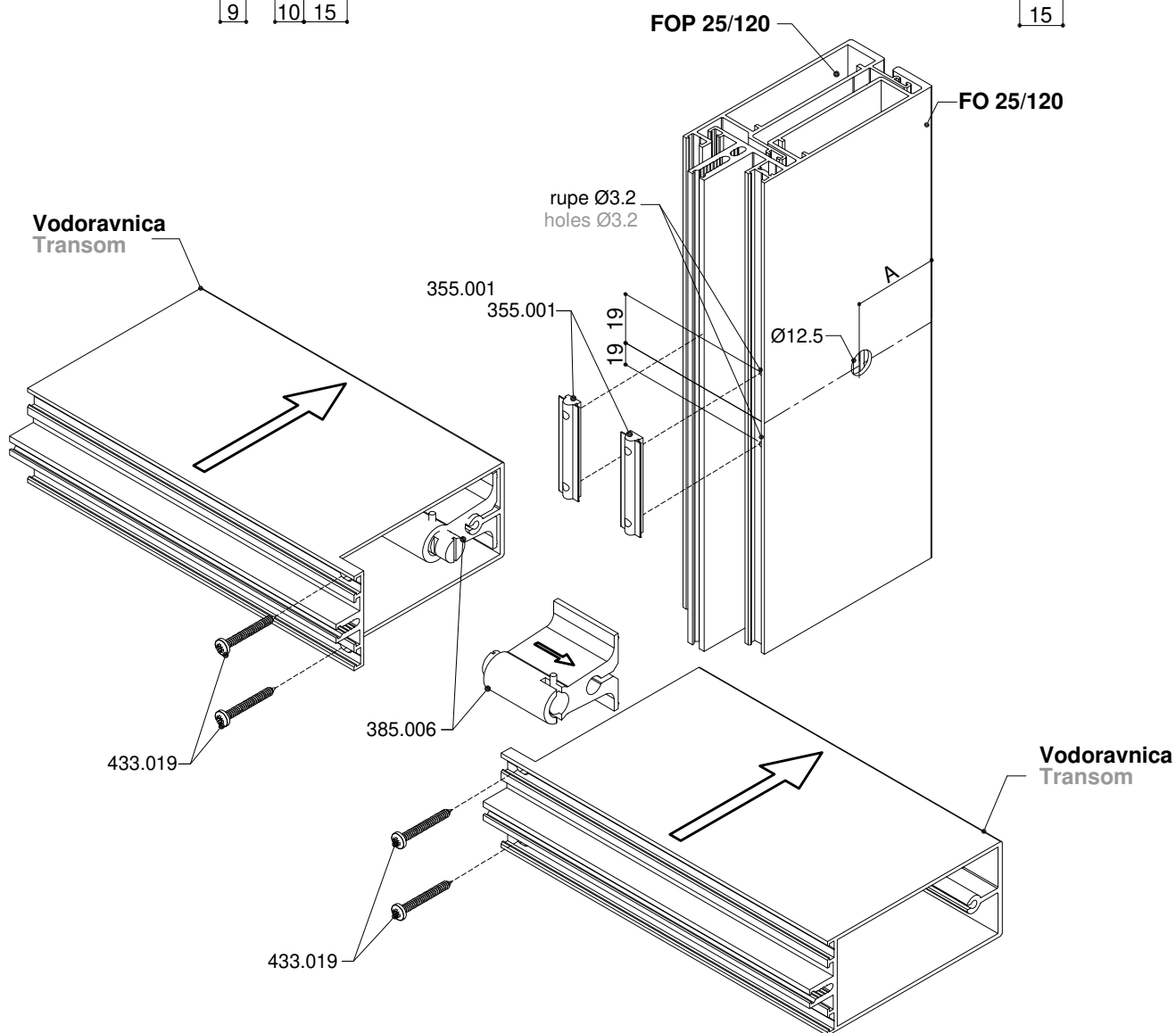
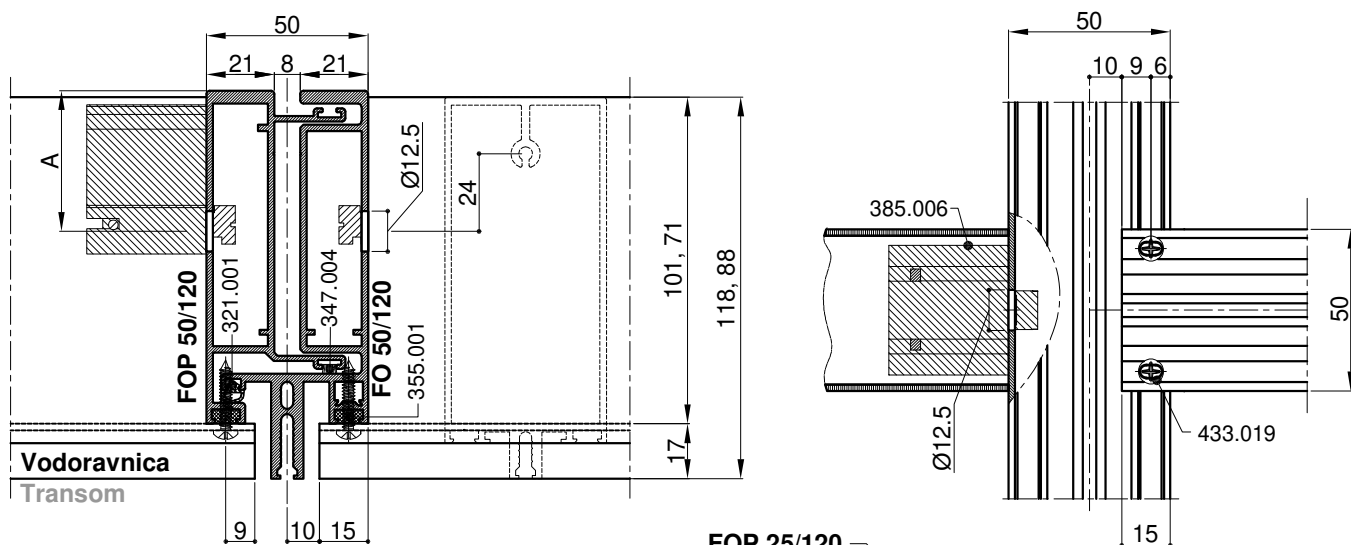
Vodoravnica Transom	Dimenzija A Dimension A
FMV 50/198	43,5 mm
FMV 50/158	83,5 mm
FMV 50/138	104,5 mm
FMV 50/118	123,5 mm
FMV 50/88	153,5 mm

- Obrada okomice **FMO 50/160** za vodoravnicu **FMV 50/158 ili manju** (kopča 385.006-bez dilatacijske brtve)
- Processing of mullion **FMO 50/160** for transom **FMV 50/158 or smaller** (connector 385.006-without dilatation rubber)



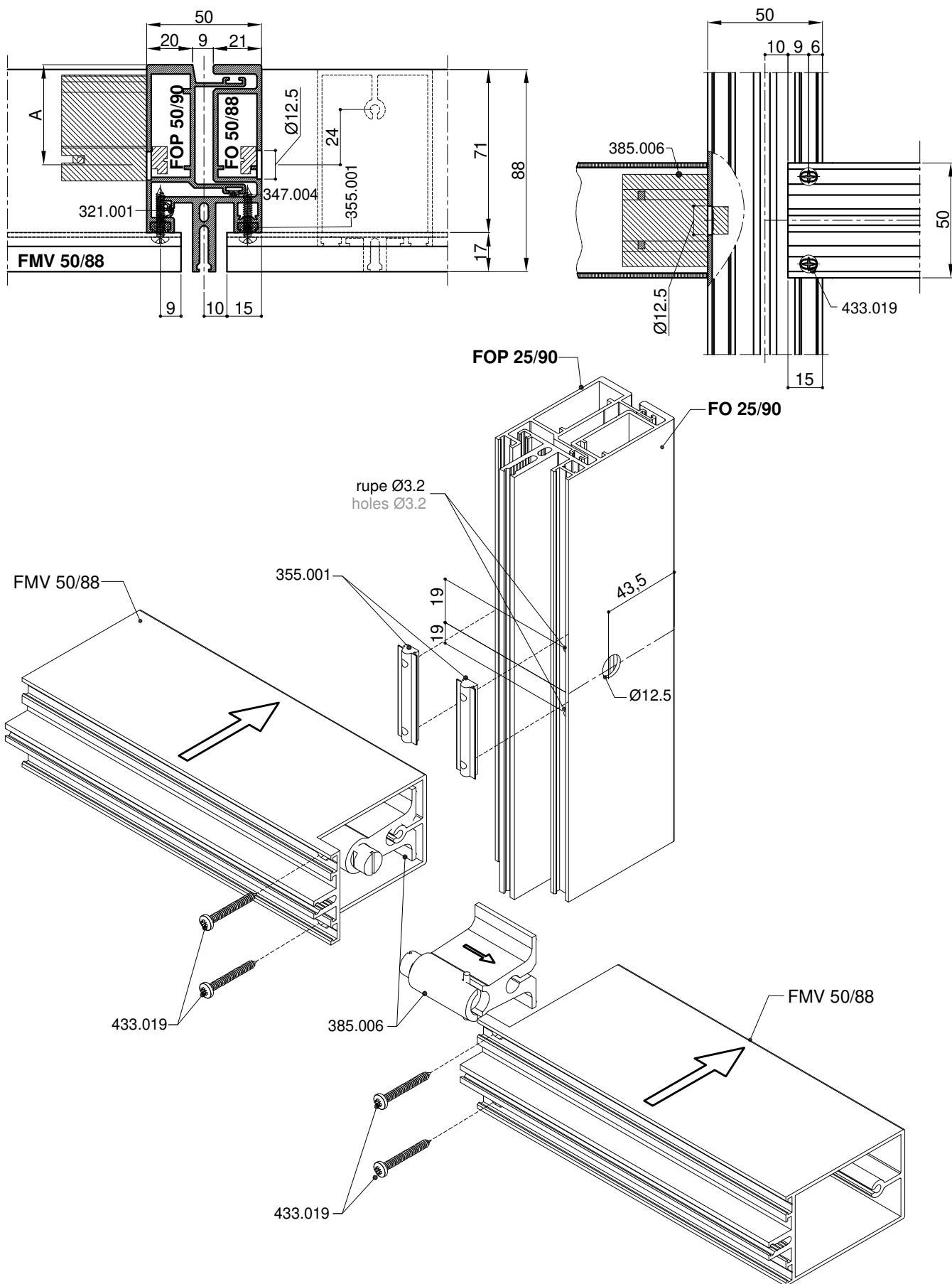
Vodoravnica Transom	Dimenzija A Dimension A
FMV 50/158	43,5 mm
FMV 50/138	64,5 mm
FMV 50/118	83,5 mm
FMV 50/88	113,5 mm

- Obrada okomice **FMO 50/120** za vodoravnicu **FMV 50/118 ili manju** (kopča 385.006-bez dilatacijske brtve)
- Processing of mullion **FMO 50/120** for transom **FMV 50/118 or smaller** (connector 385.006-without dilatation rubber)

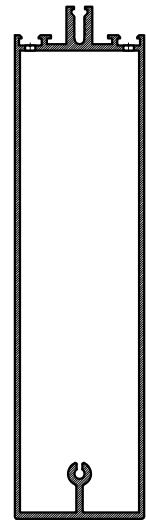
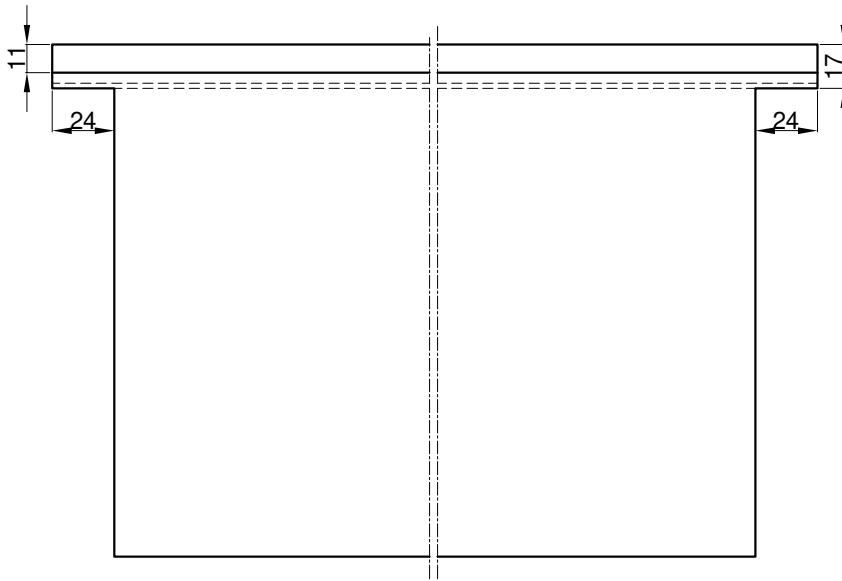


Vodoravnica Transom	Dimenzija A Dimension A
FMV 50/118	43,5 mm
FMV 50/88	73,5 mm

- Obrada okomice **FMO 50/90** za vodoravnicu **FMV 50/88** (kopča 385.006-bez dilatacijske brtve)
- Processing of mullion **FMO 50/90** for transom **FMV 50/88** (connector 385.006-without dilatation rubber)



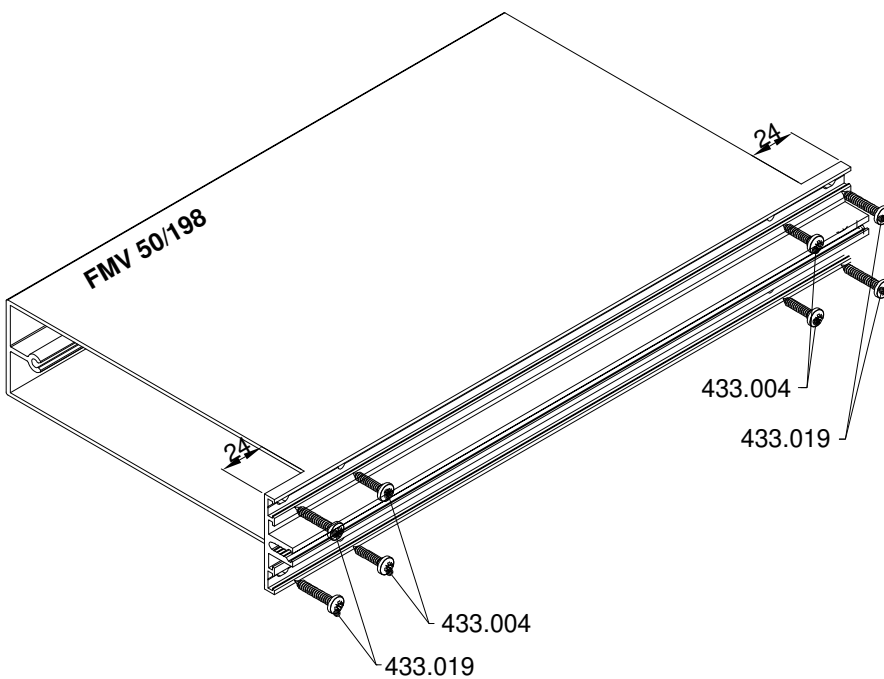
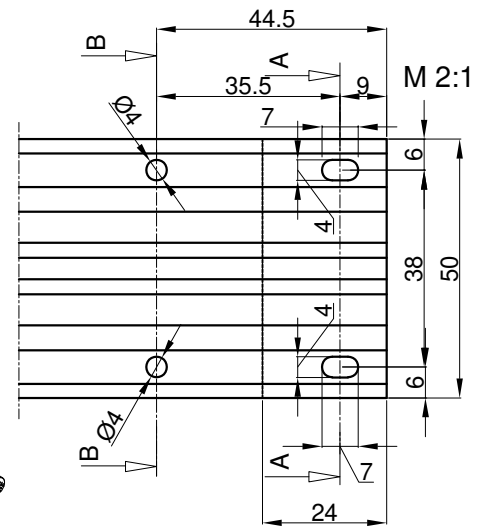
- Obrada vodoravnice **FMV 50/198** za okomicu **FMO 50/200** ili veću (gumeni odstožnik sa obrubom)
- Processing of transom **FMV 50/198** for mullion **FMO 50/200** or greater (rimmed dilatation rubber)



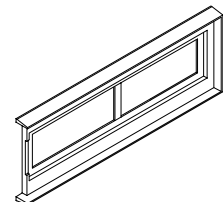
PRESJEK B-B
CROSS SECTION B-B



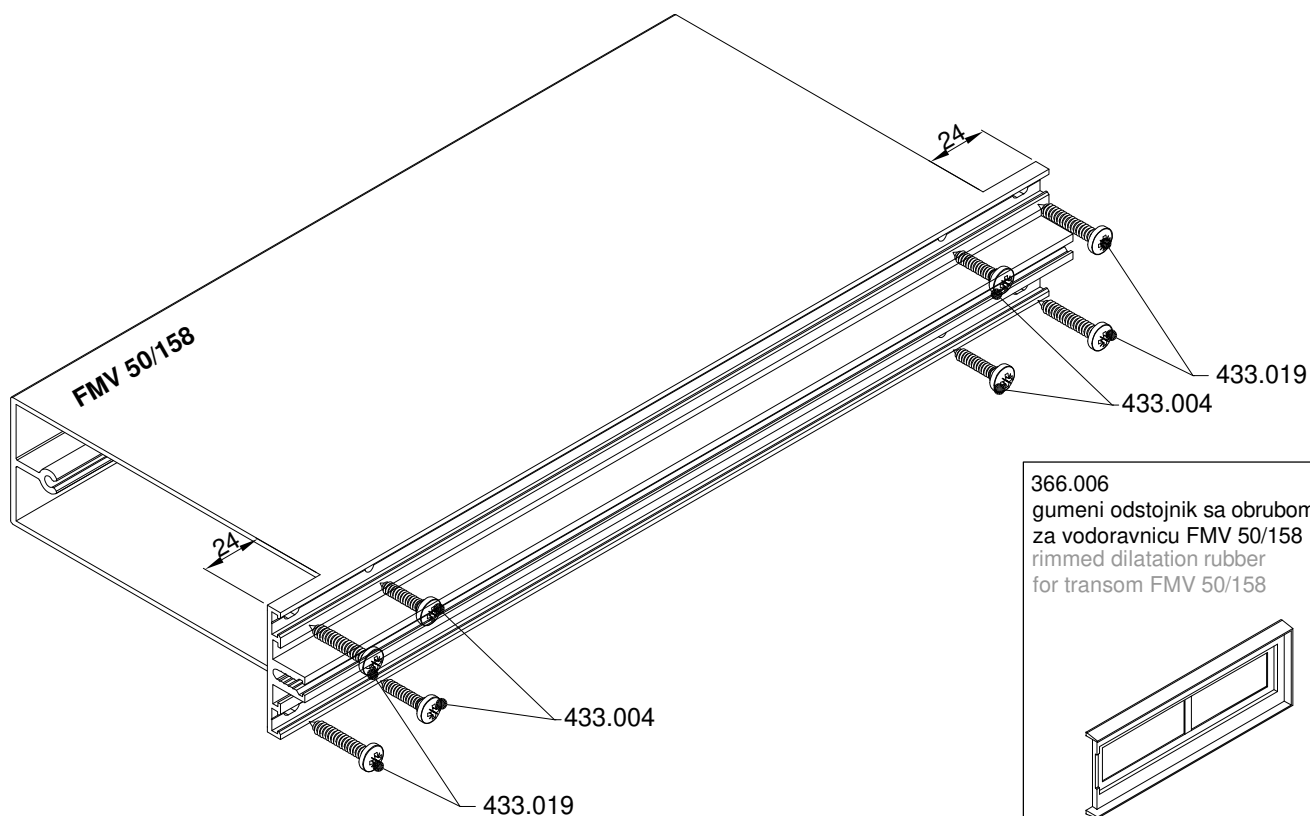
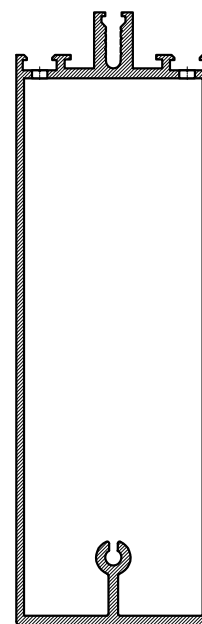
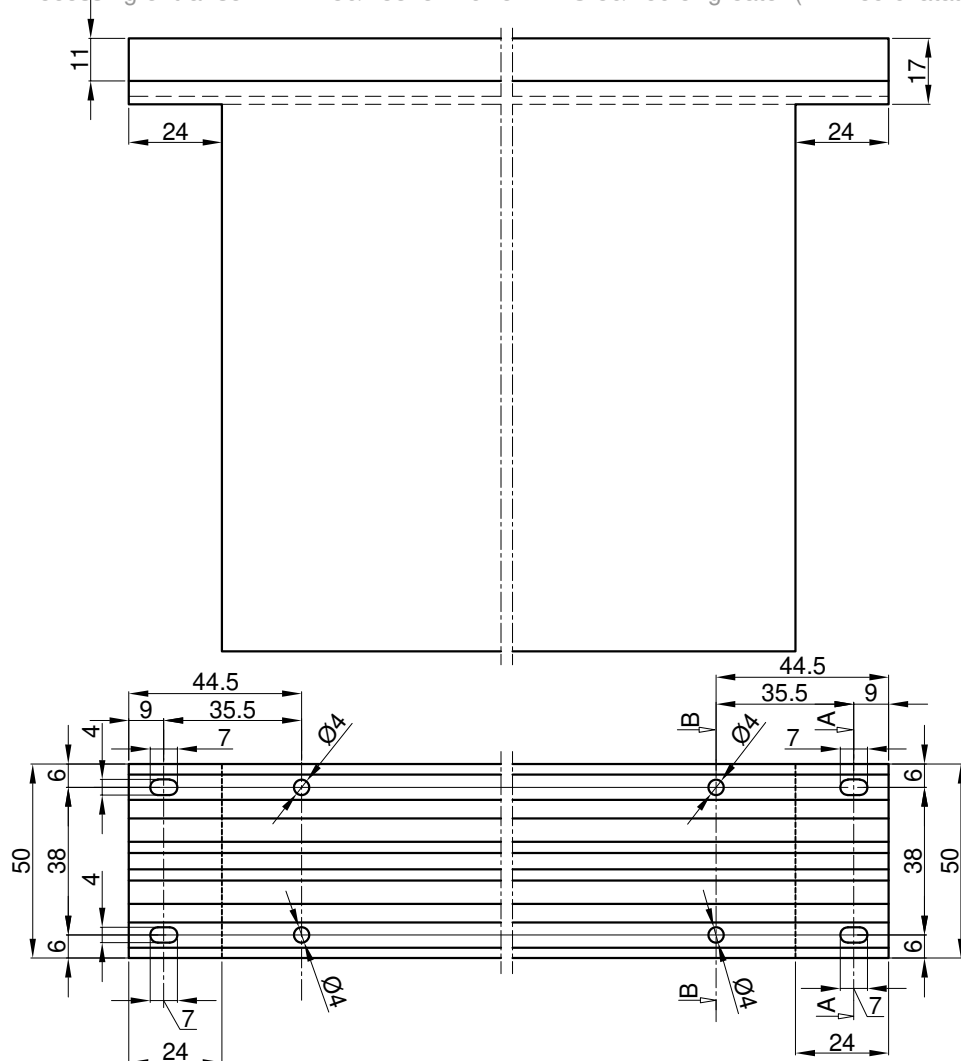
PRESJEK A-A
CROSS SECTION A-A



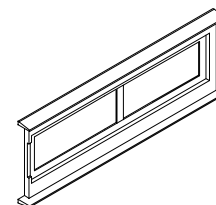
366.007
gumeni odstožnik sa obrubom
za vodoravnicu FMV 50/198
rimmed dilatation rubber
for transom FMV 50/198



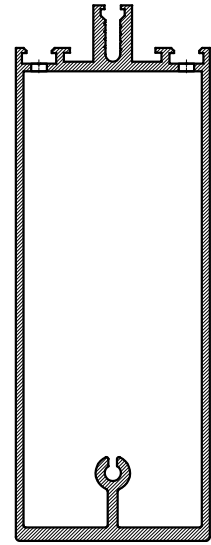
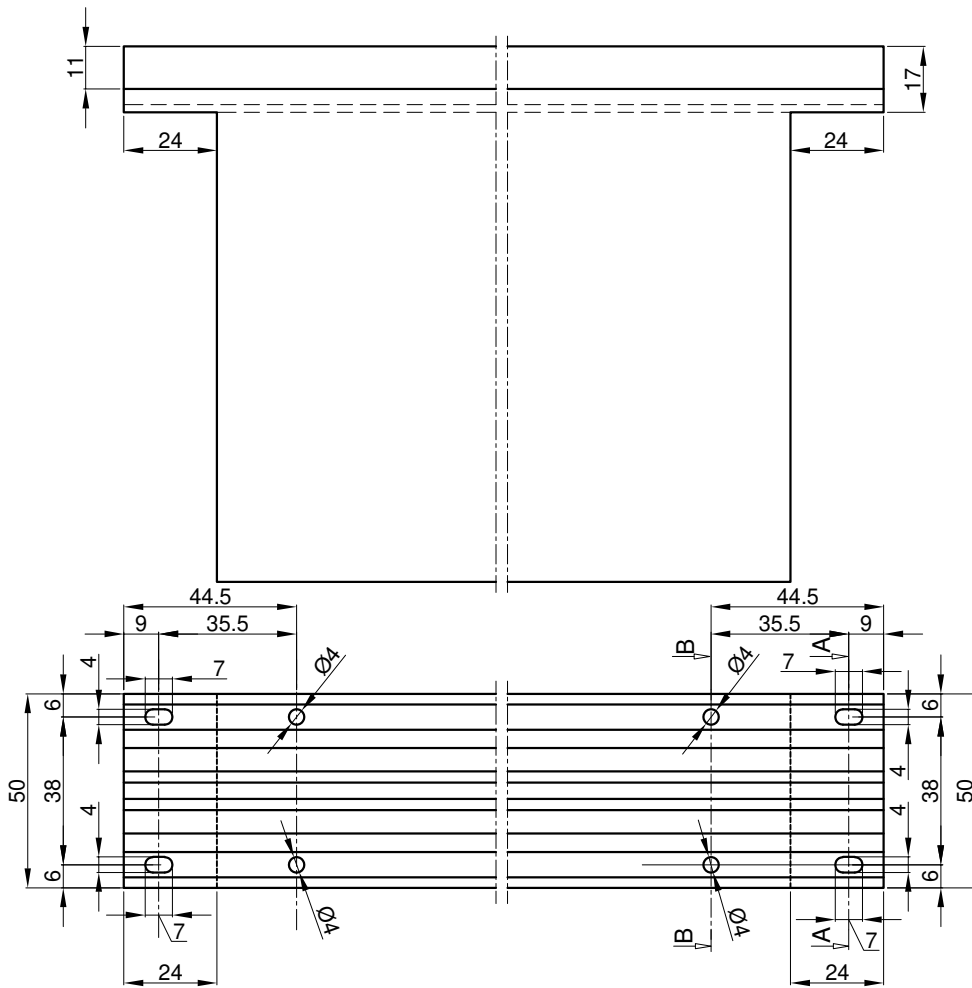
- Obrada vodoravnice **FMV 50/158** za okomicu **FMO 50/160** ili veću (gumeni odstojnik sa obrubom)
- Processing of transom **FMV 50/158** for mullion **FMO 50/160** or greater (rimmed dilatation rubber)



366.006
gumeni odstojnik sa obrubom
za vodoravnicu FMV 50/158
rimmed dilatation rubber
for transom FMV 50/158



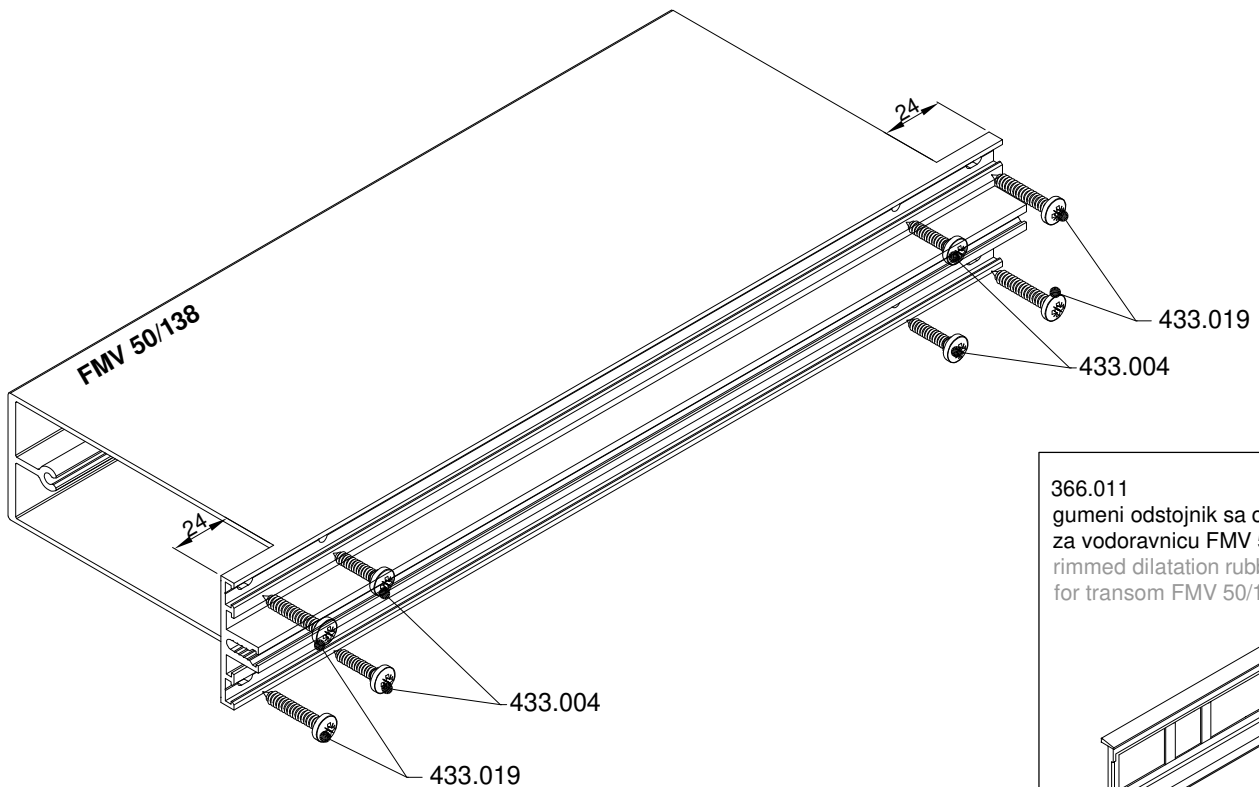
- Obrada vodoravnice **FMV 50/138** za okomicu **FMO 50/140** ili veću (gumeni odstojnik sa obrubom)
- Processing of transom **FMV 50/138** for mullion **FMO 50/140** or greater (rimmed dilatation rubber)



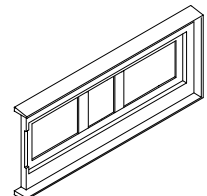
PRESJEK B-B
CROSS SECTION B-B



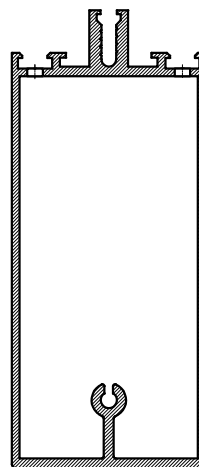
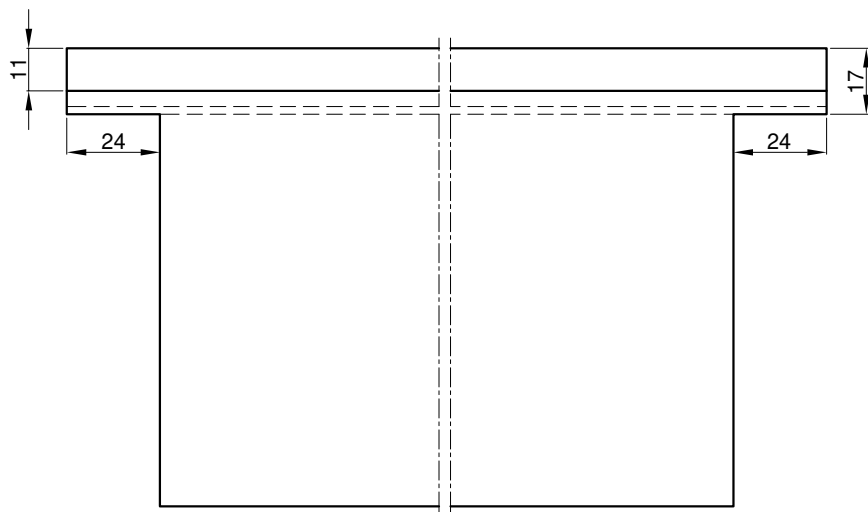
PRESJEK A-A
CROSS SECTION A-A



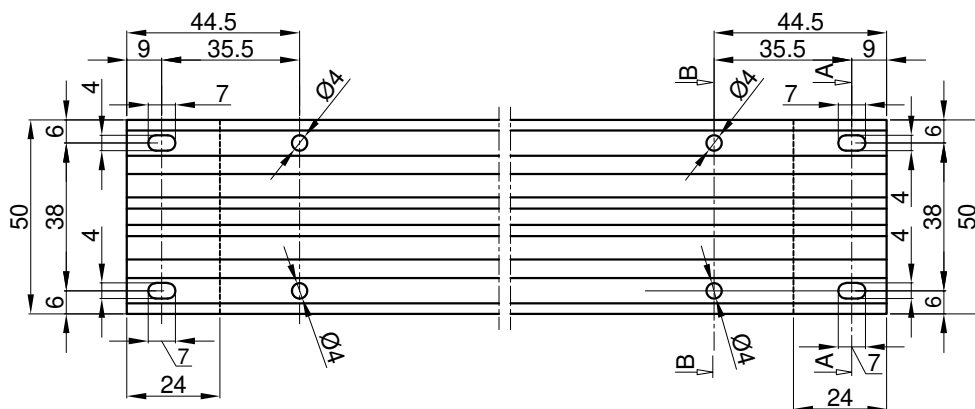
366.011
gumeni odstojnik sa obrubom
za vodoravnicu FMV 50/138
rimmed dilatation rubber
for transom FMV 50/138



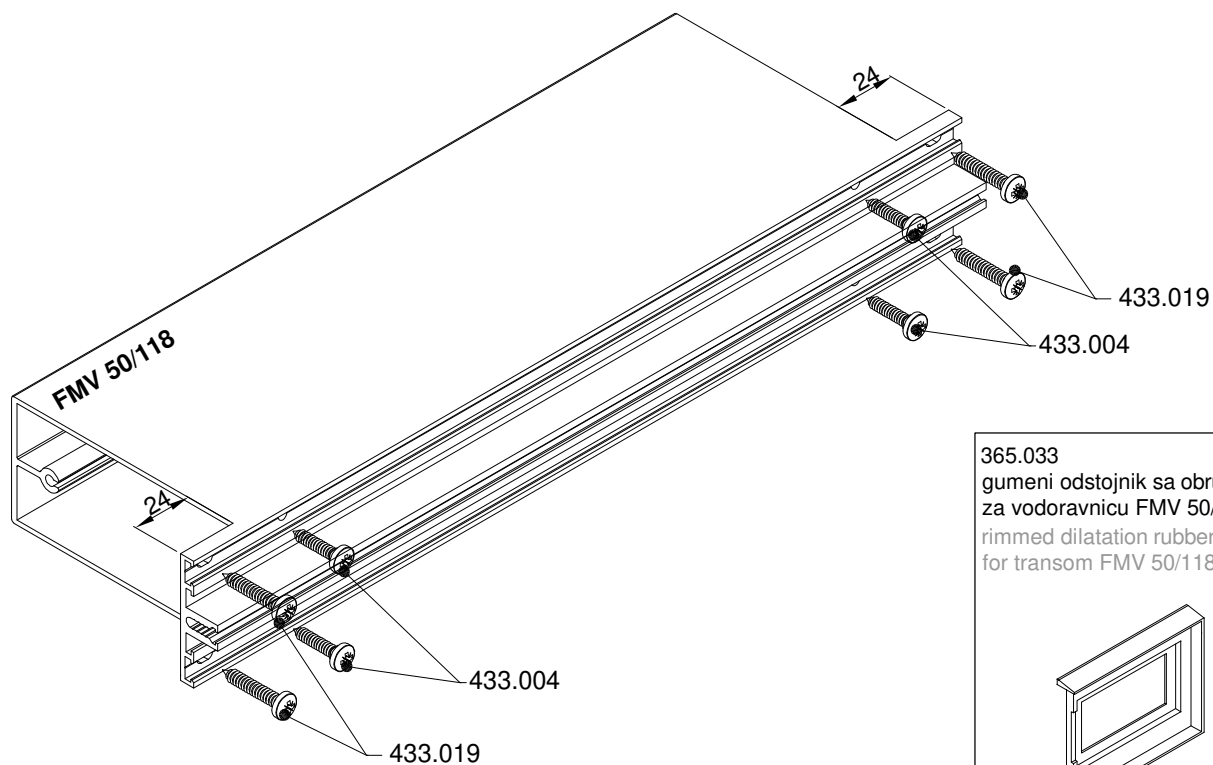
- Obrada vodoravnice **FMV 50/118** za okomicu **FMO 50/120** ili veću (gumeni odstojnik sa obrubom)
- Processing of transom **FMV 50/118** for mullion **FMO 50/120** or greater (rimmed dilatation rubber)



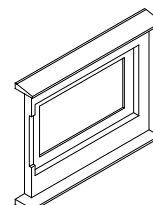
PRESJEK B-B
CROSS SECTION B-B



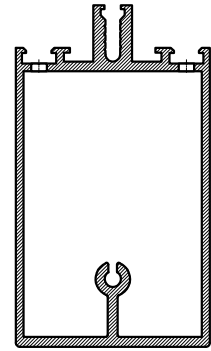
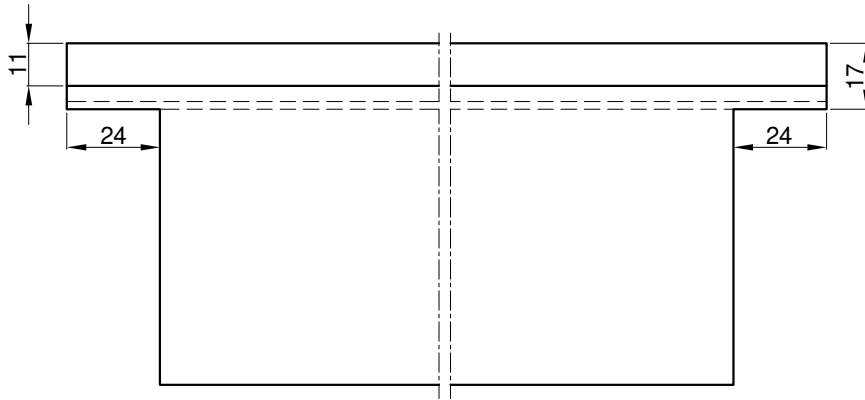
PRESJEK A-A
CROSS SECTION A-A



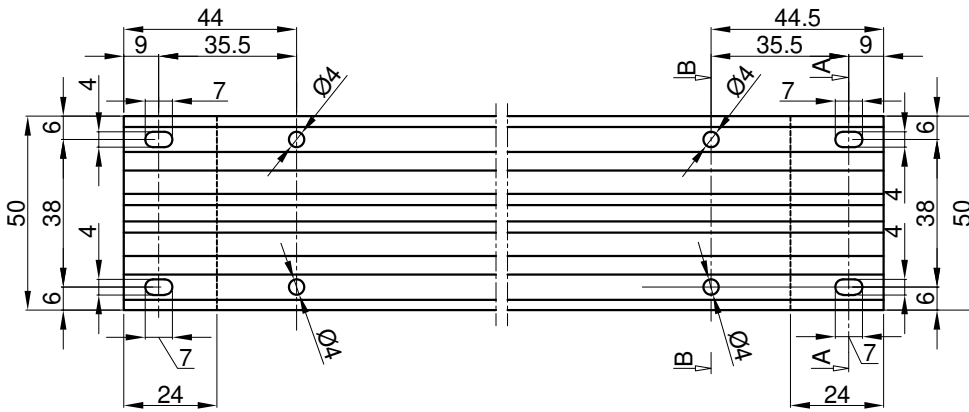
365.033
gumeni odstojnik sa obrubom
za vodoravnicu FMV 50/118
rimmed dilatation rubber
for transom FMV 50/118



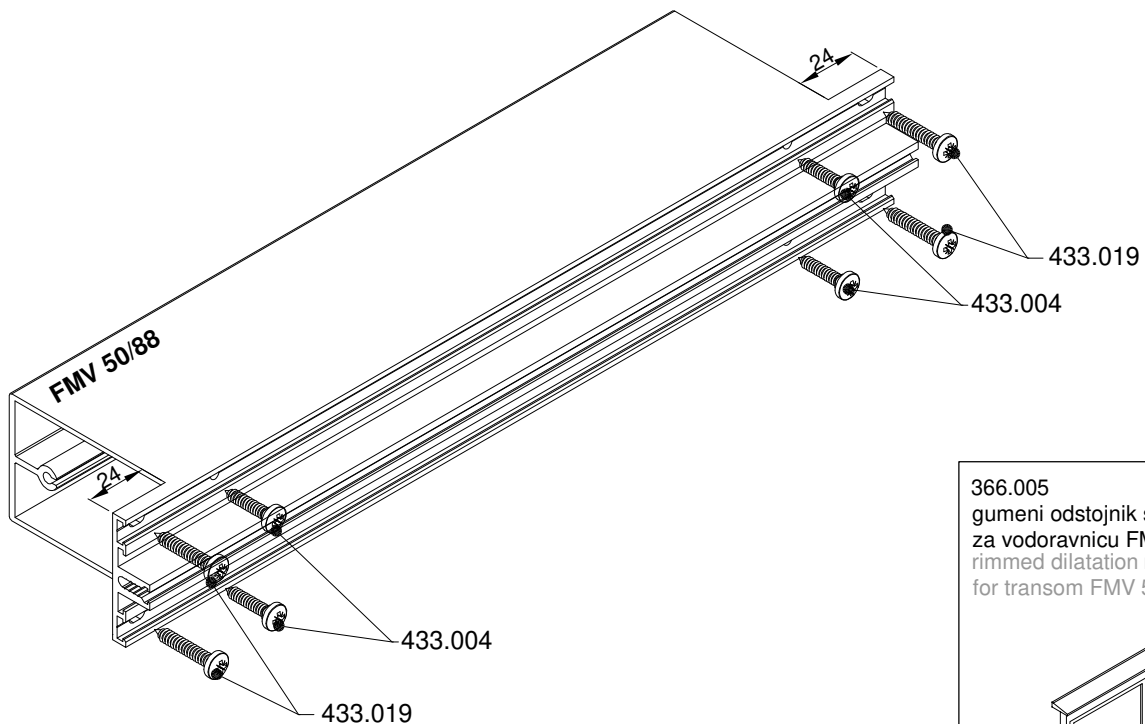
- Obrada vodoravnice **FMV 50/88** za okomicu **FMO 50/90** ili veću (gumeni odstojnik sa obrubom)
- Processing of transom **FMV 50/88** for mullion **FMO 50/90** or greater (rimmed dilatation rubber)



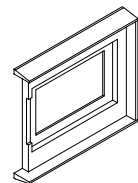
PRESJEK B-B
CROSS SECTION B-B



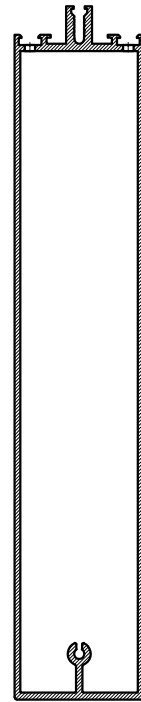
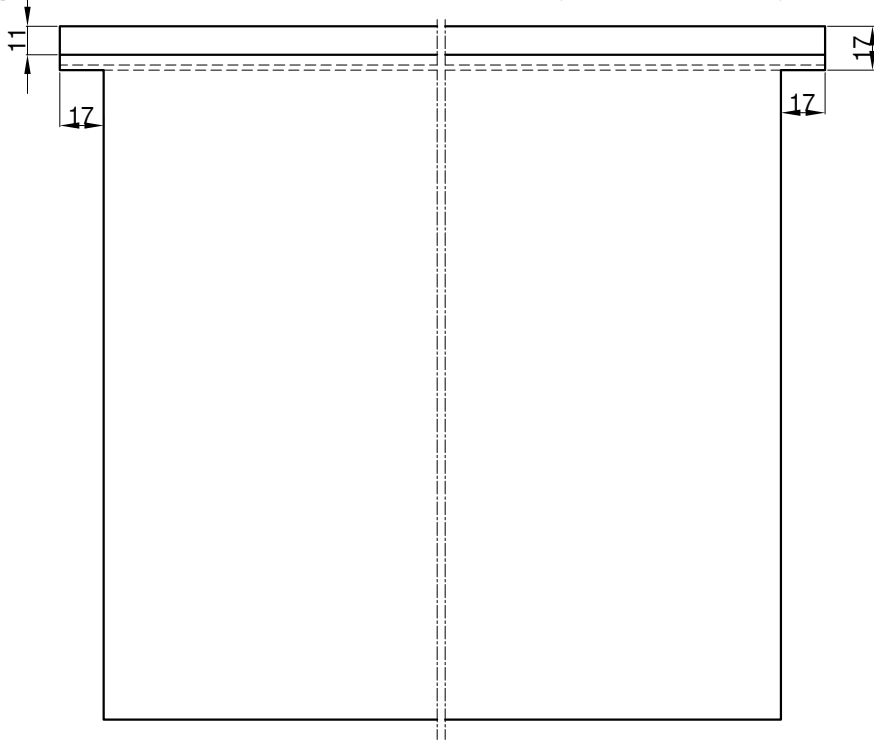
PRESJEK A-A
CROSS SECTION A-A



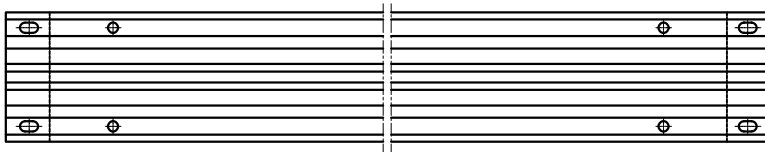
366.005
gumeni odstojnik sa obrubom
za vodoravnice FMV 50/88
rimmed dilatation rubber
for transom FMV 50/88



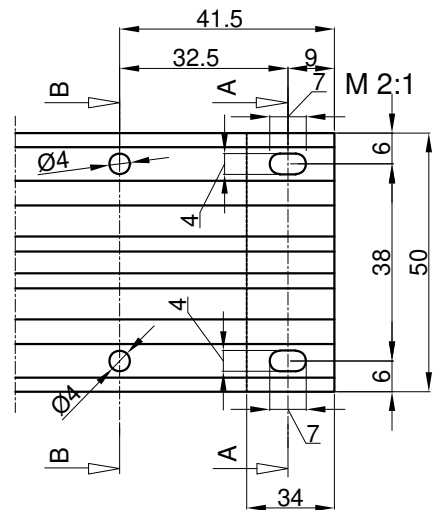
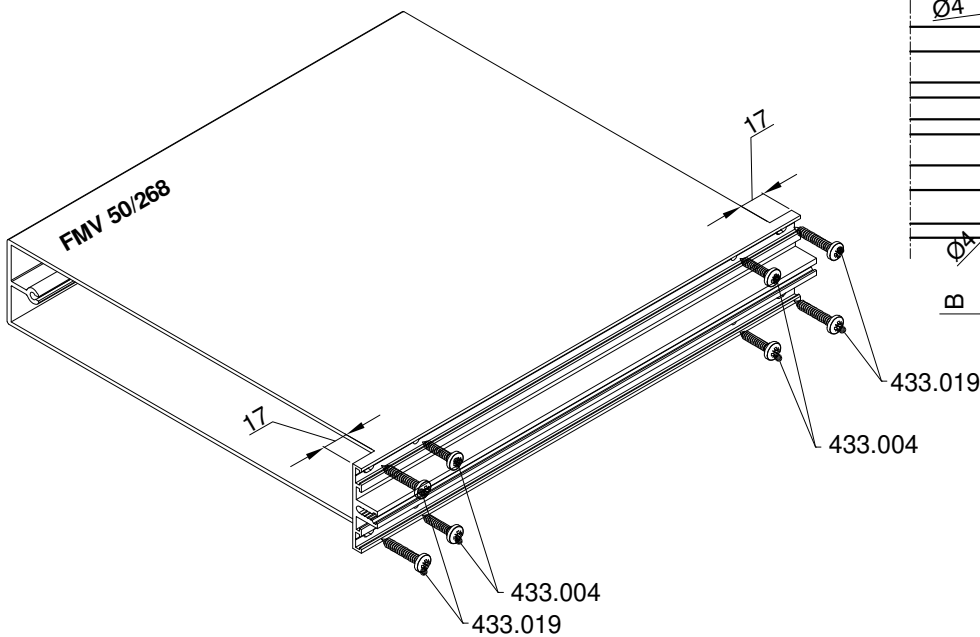
- Obrada vodoravnice **FMV 50/268** za okomicu **FMO 50/270** (ravni gumeni odstožnik)
- Processing of transom **FMV 50/268** for mullion **FMO 50/270** (flat dilatation rubber)



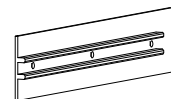
PRESJEK B-B
CROSS SECTION B-B



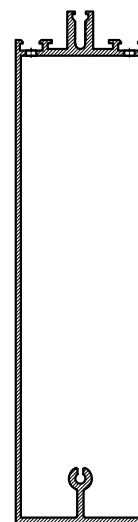
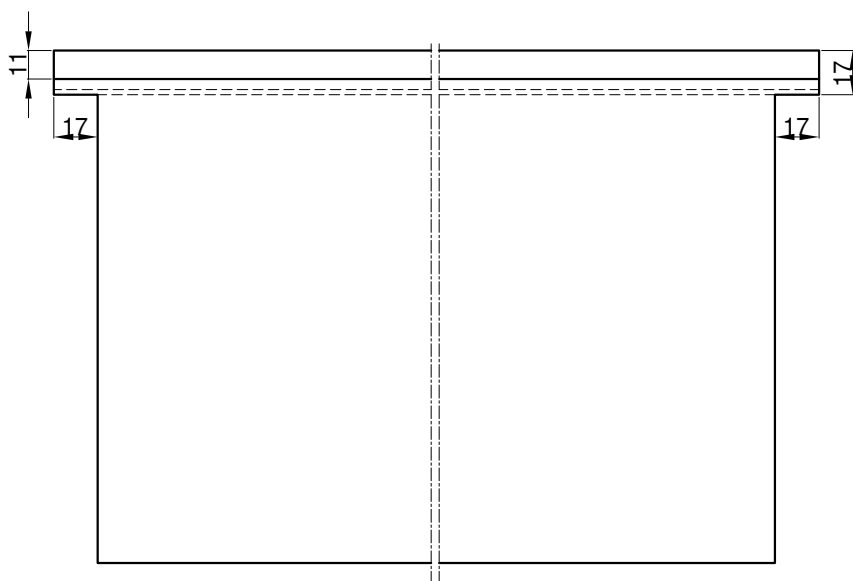
PRESJEK A-A
CROSS SECTION A-A



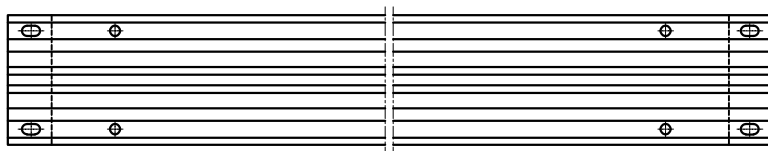
361.032
ravni gumeni odstožnik
za vodoravnice FMV 50/268
flat dilatation rubber
for transom FMV 50/268



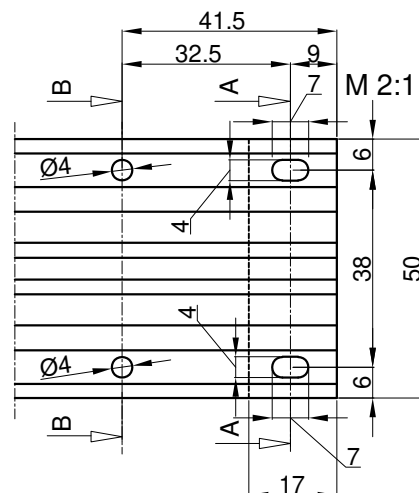
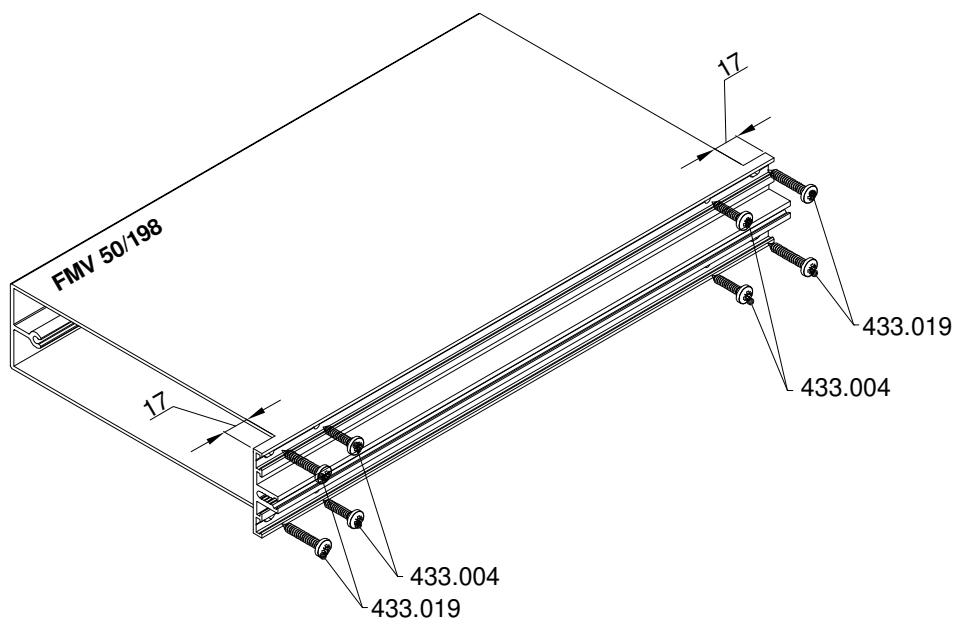
- Obrada vodoravnice **FMV 50/198** za okomicu **FMO 50/200** ili veću (ravni gumeni odstojnik)
- Processing of transom **FMV 50/198** for mullion **FMO 50/200** or greater (flat dilatation rubber)



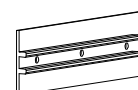
PRESJEK B-B
CROSS SECTION B-B



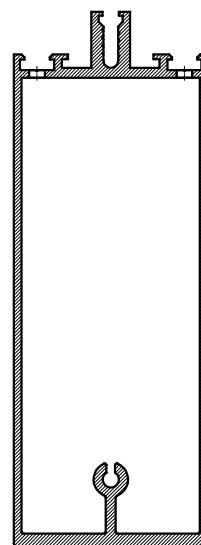
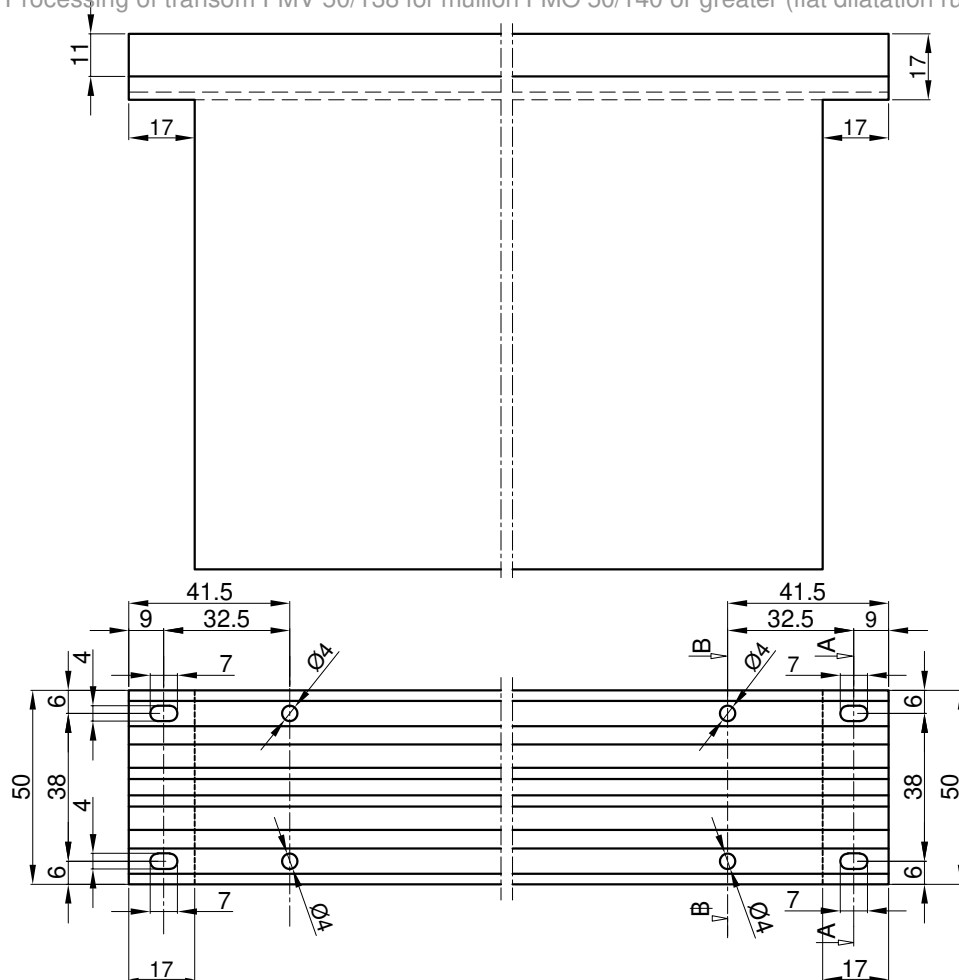
PRESJEK A-A
CROSS SECTION A-A



361.006
ravni gumeni odstojnik
za vodoravnice FMV 50/198
flat dilatation rubber
for transom FMV 50/198



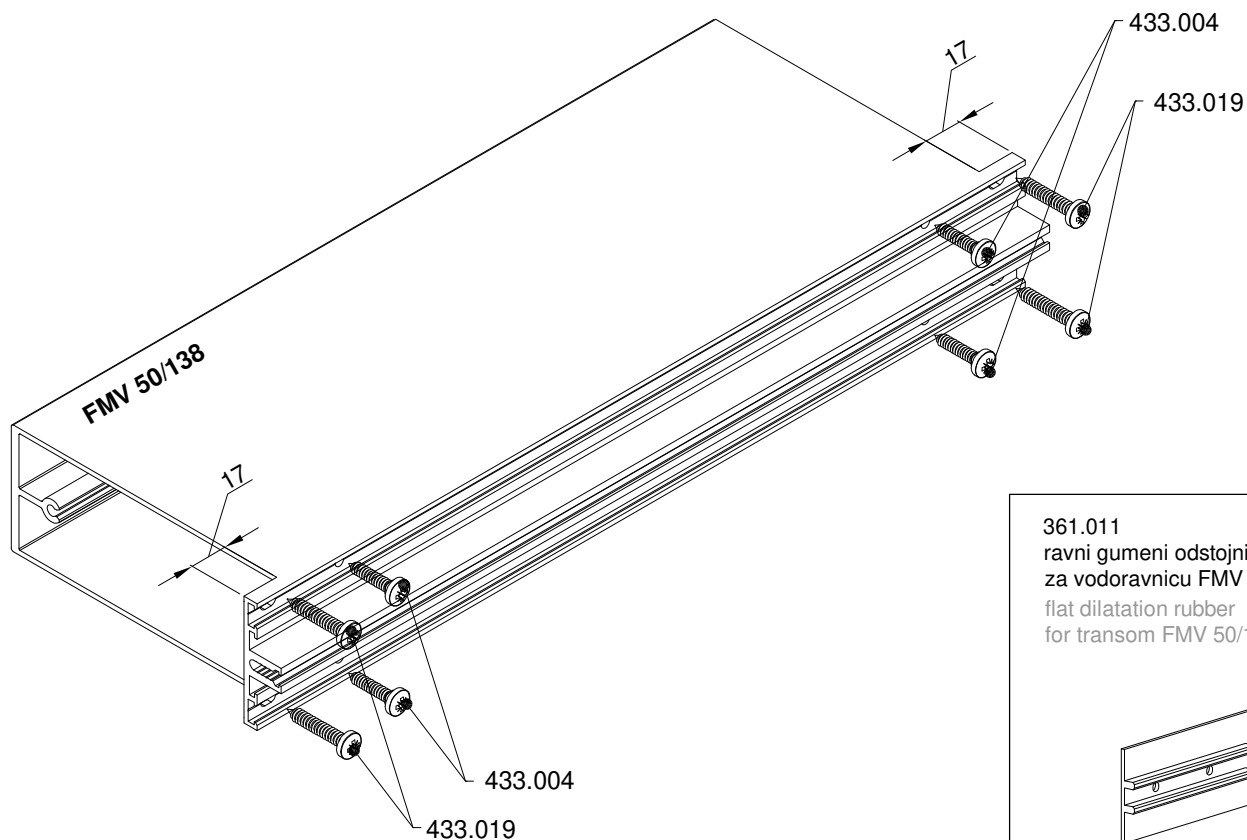
- Obrada vodoravnice **FMV 50/138** za okomicu **FMO 50/140** ili veću (ravni gumeni odstožnik)
- Processing of transom **FMV 50/138** for mullion **FMO 50/140** or greater (flat dilatation rubber)



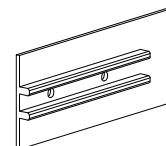
PRESJEK B-B
CROSS SECTION B-B



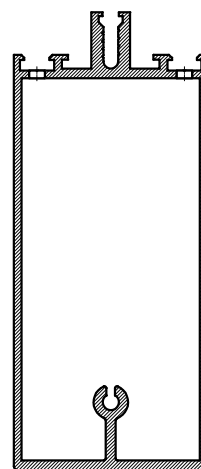
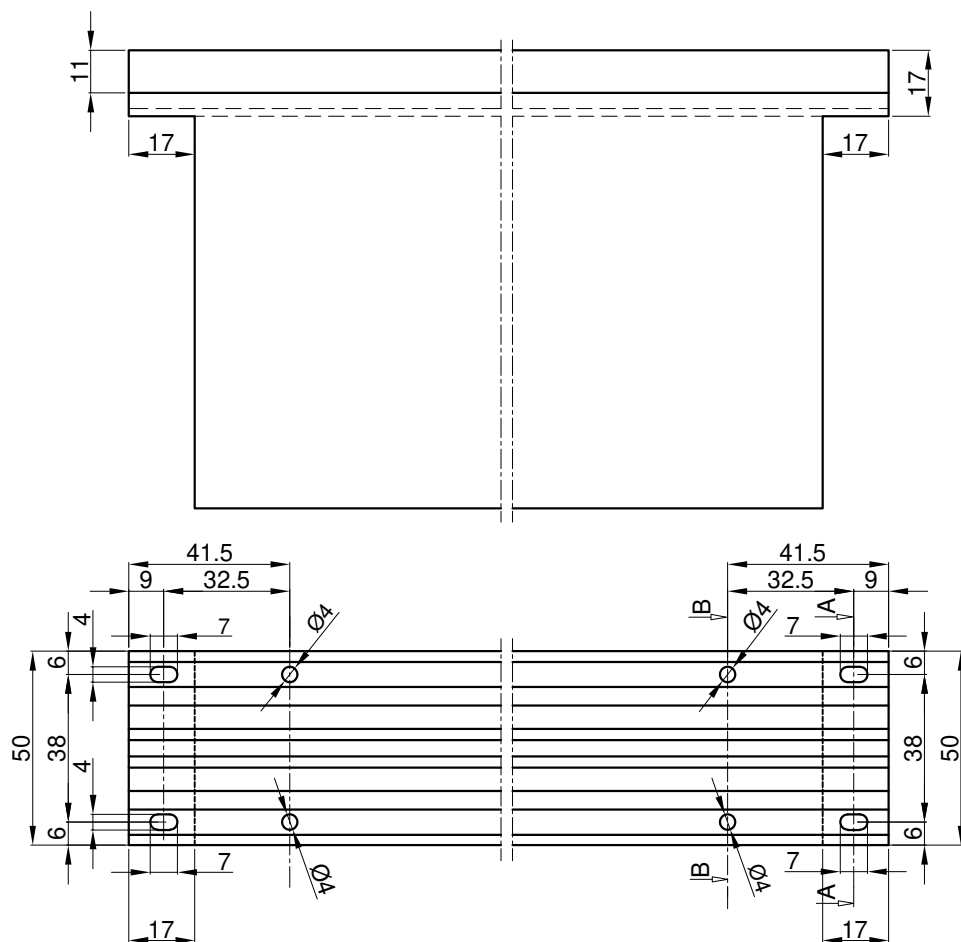
PRESJEK A-A
CROSS SECTION A-A



361.011
ravni gumeni odstožnik
za vodoravnicu FMV 50/138
flat dilatation rubber
for transom FMV 50/138



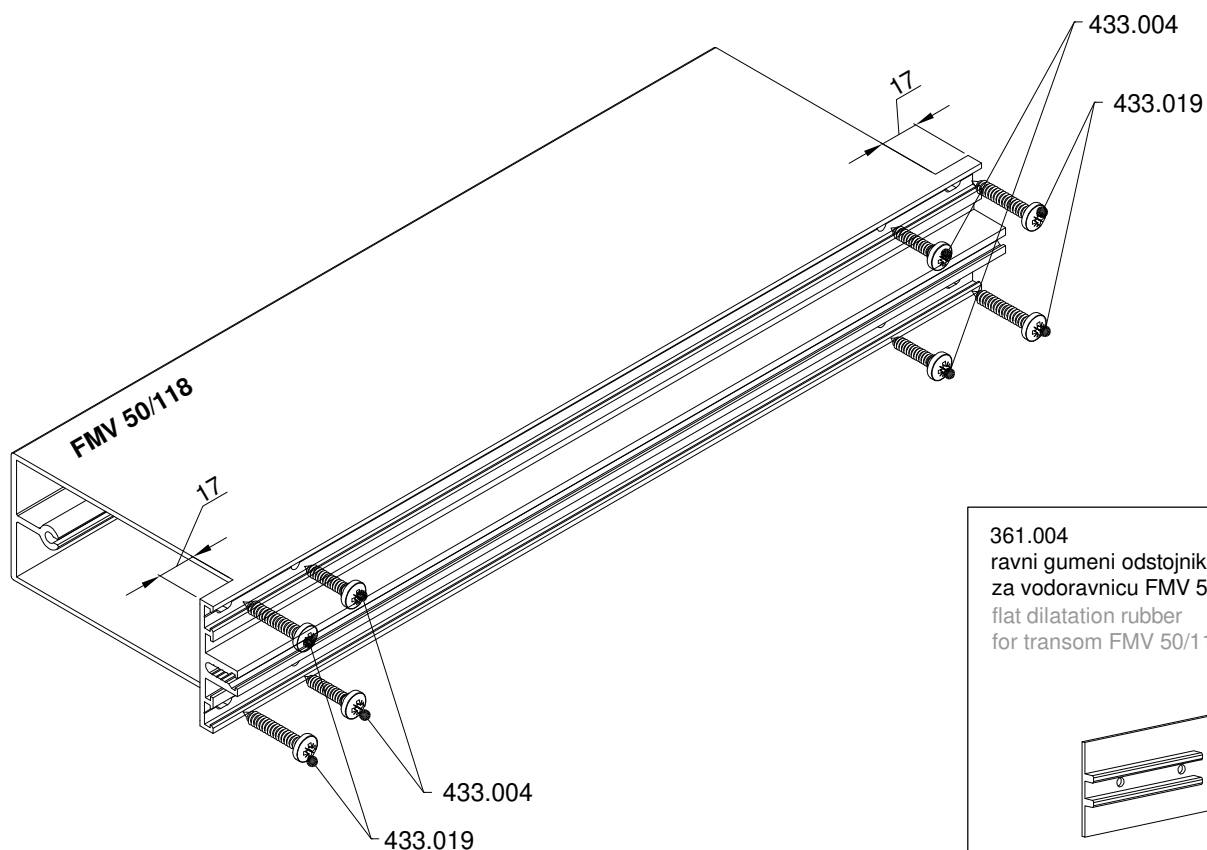
- Obrada vodoravnice **FMV 50/118** za okomicu **FMO 50/120** ili veću (ravni gumeni odstožnik)
- Processing of transom **FMV 50/118** for mullion **FMO 50/120** or greater (flat dilatation rubber)



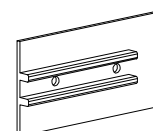
PRESJEK B-B
CROSS SECTION B-B



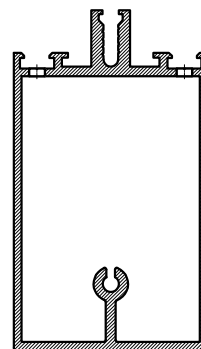
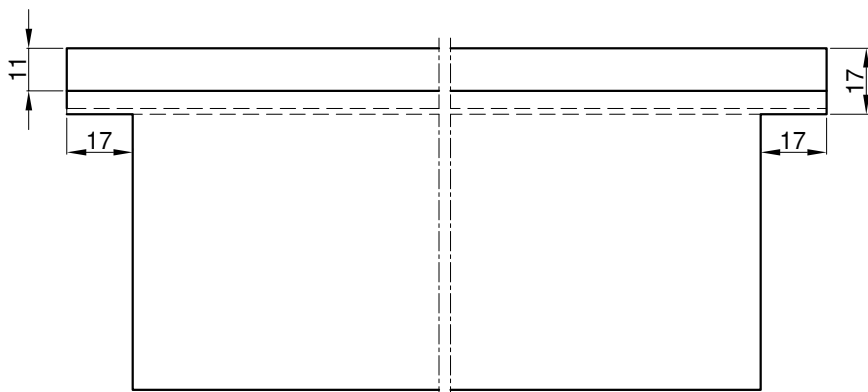
PRESJEK A-A
CROSS SECTION A-A



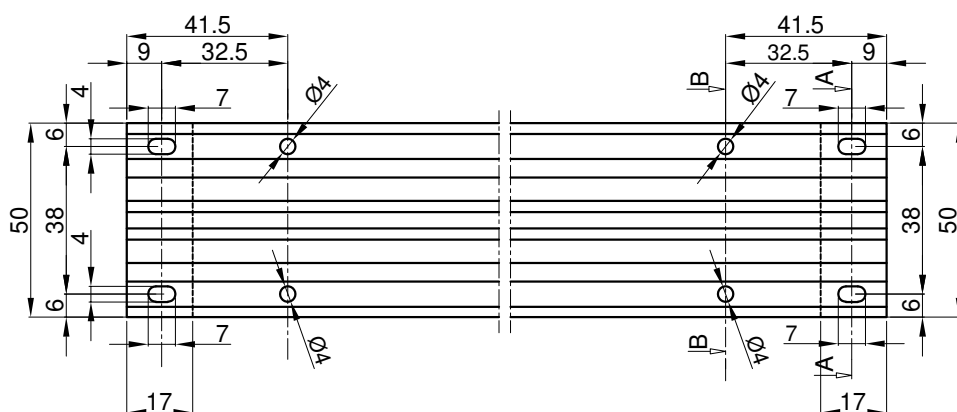
361.004
ravni gumeni odstožnik
za vodoravnicu FMV 50/118
flat dilatation rubber
for transom FMV 50/118



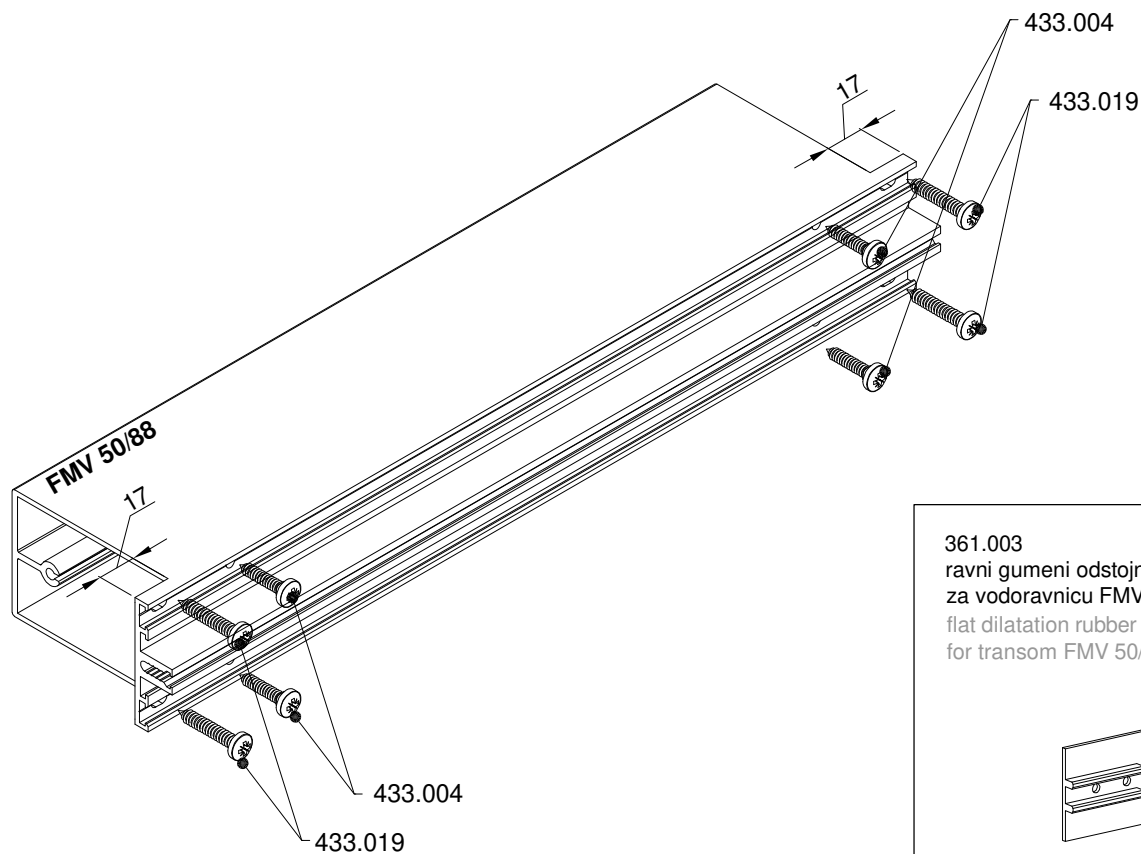
- Obrada vodoravnice **FMV 50/88** za okomicu **FMO 50/90** ili veću (ravni gumeni odstožnik)
- Processing of transom **FMV 50/88** for mullion **FMO 50/90** or greater (flat dilatation rubber)



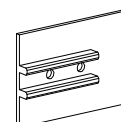
PRESJEK B-B
CROSS SECTION B-B



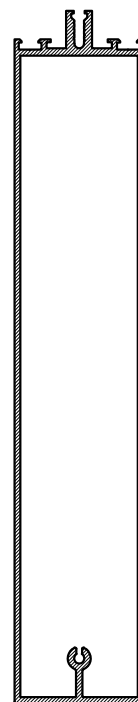
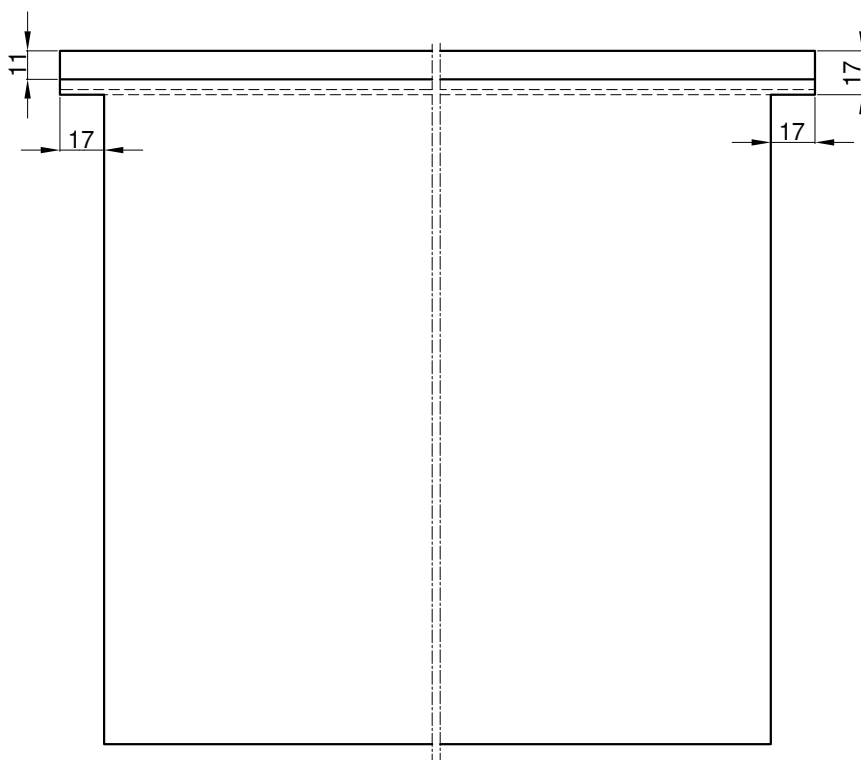
PRESJEK A-A
CROSS SECTION A-A



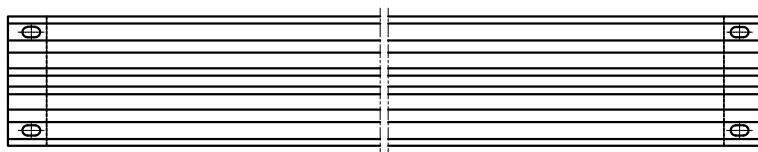
361.003
ravni gumeni odstožnik
za vodoravnicu FMV 50/88
flat dilatation rubber
for transom FMV 50/88



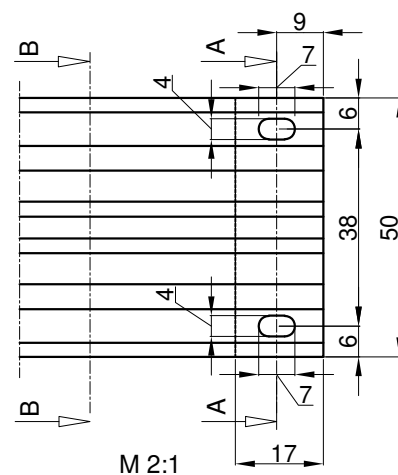
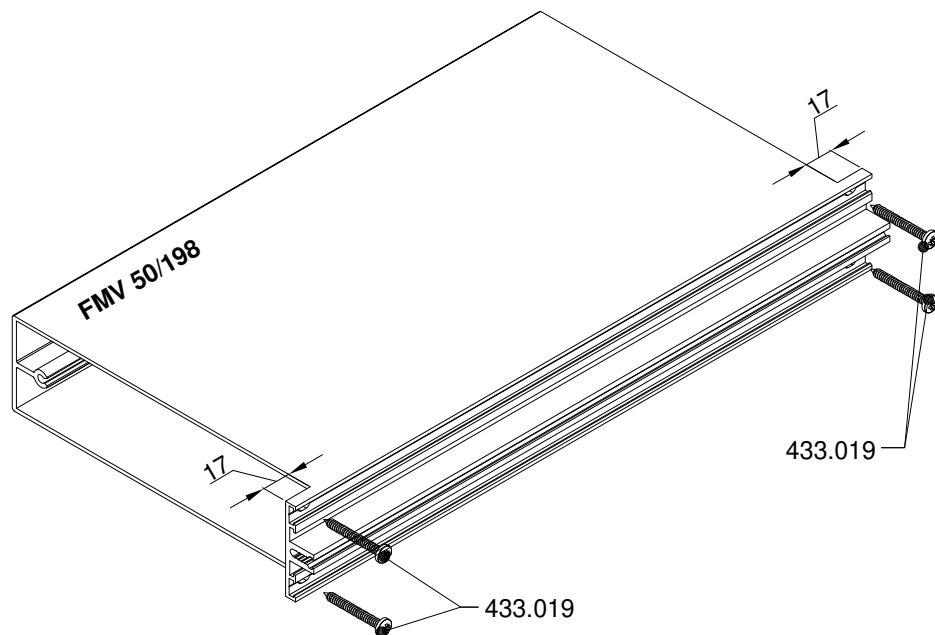
- Obrada vodoravnice **FMV 50/198** za okomicu **FMO 50/200** ili veću (gumeni odstojnik 365.032 za kopču 385.006)
- Processing of transom **FMV 50/198** for mullion **FMO 50/200** or greater (dilatation rubber 365.032 for connector 385.006)



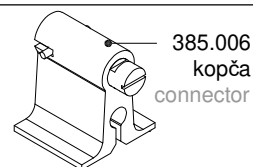
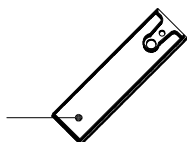
PRESJEK B-B
CROSS SECTION B-B



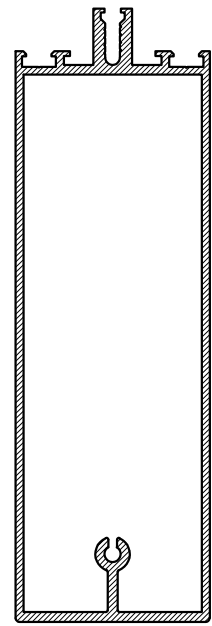
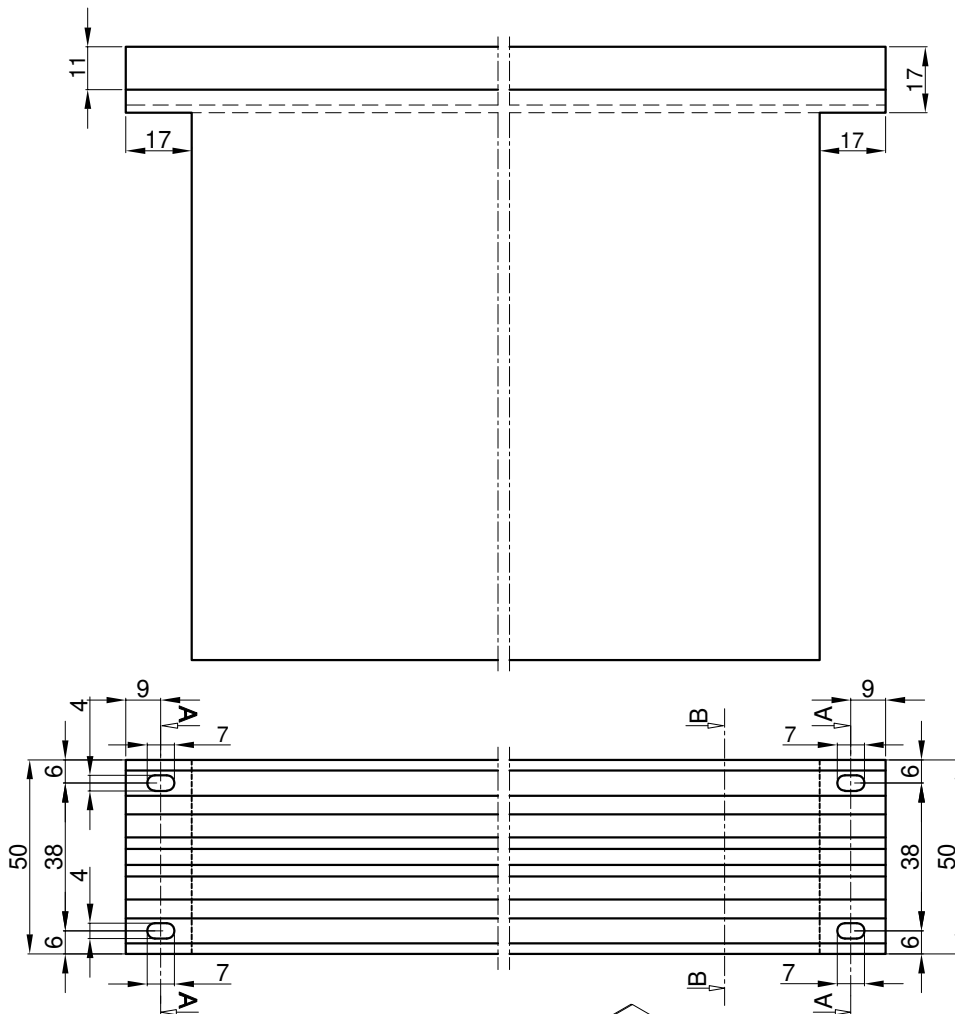
PRESJEK A-A
CROSS SECTION A-A



365.032
gumeni odstojnik za kopču 385.006 i
vodoravnicu FMV 50/198
dilatation rubber for connector 385.006
and transom FMV 50/198



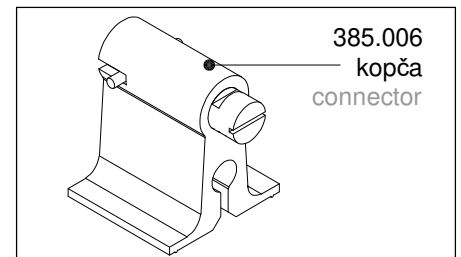
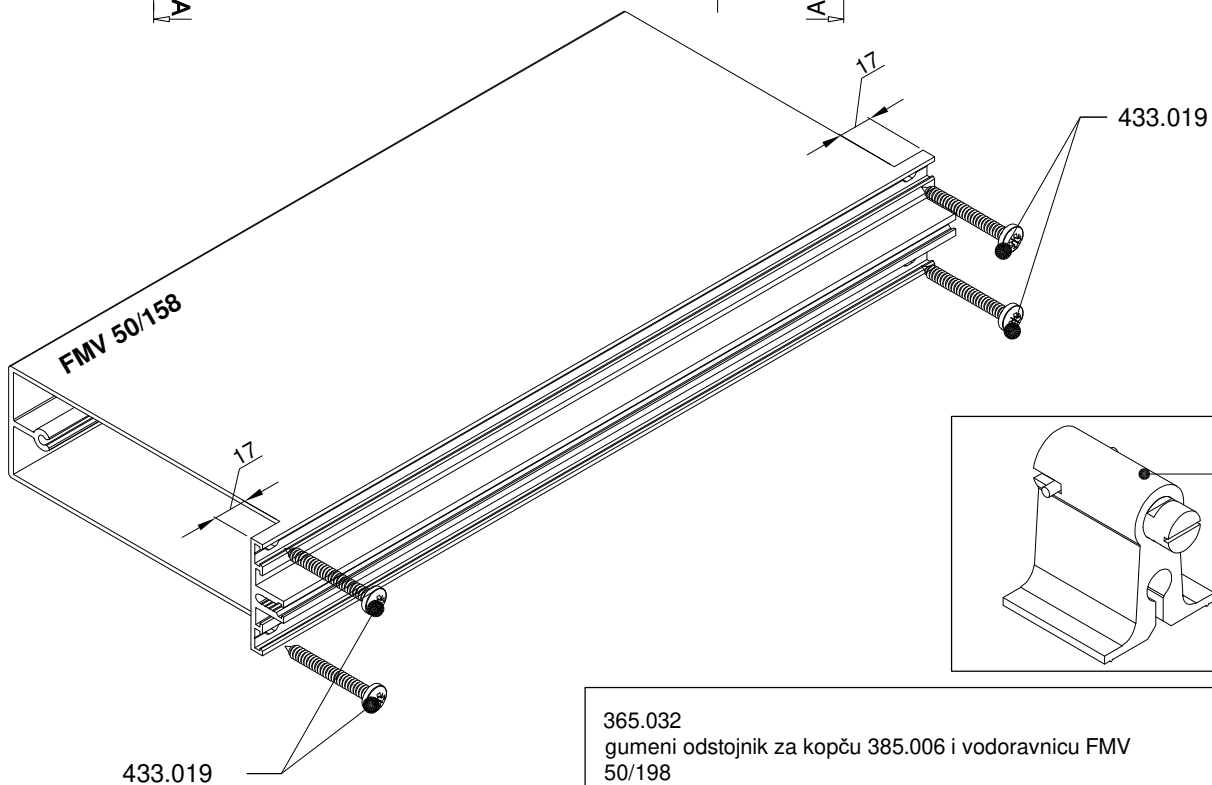
- Obrada vodoravnice **FMV 50/158** za okomicu **FMO 50/160** ili veću (gumeni odstojnik 365.031 za kopču 385.006)
- Processing of transom **FMV 50/158** for mullion **FMO 50/160** or greater (dilatation rubber 365.031 for connector 385.006)



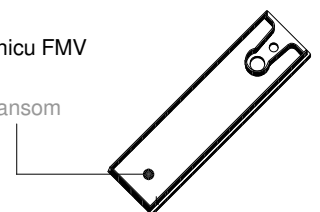
PRESJEK B-B
CROSS SECTION B-B



PRESJEK A-A
CROSS SECTION A-A

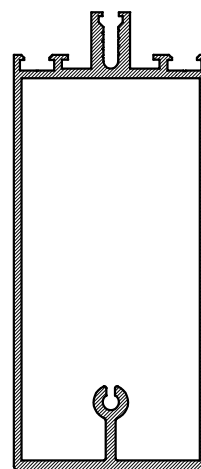
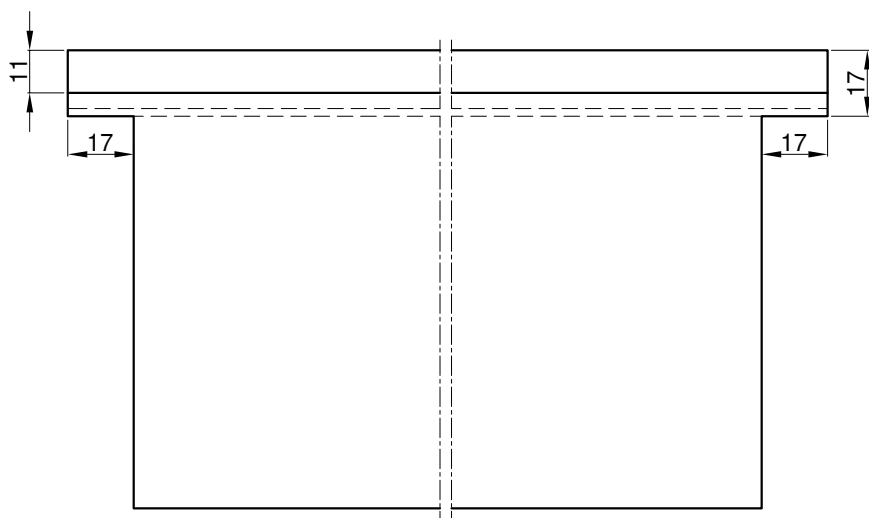


365.032
gumeni odstojnik za kopču 385.006 i vodoravnicu FMV 50/198
dilatation rubber for connector 385.006 and transom FMV 50/198

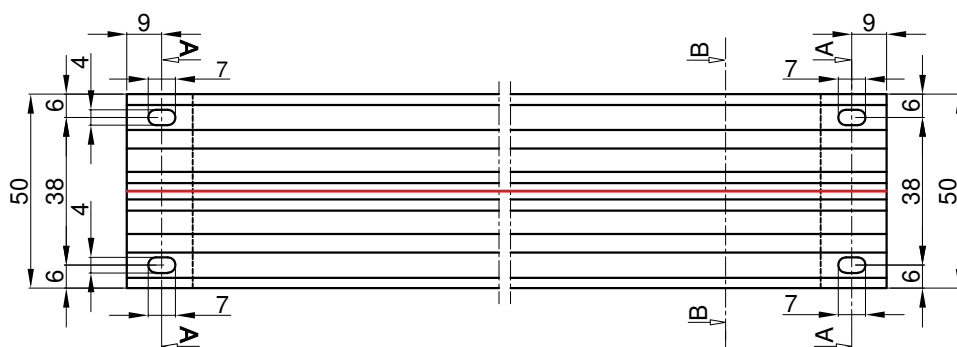


- Obrada vodoravnice **FMV 50/118** za okomicu **FMO 50/120** ili veću (gumeni odstožnik 365.030 za kopču 385.006)

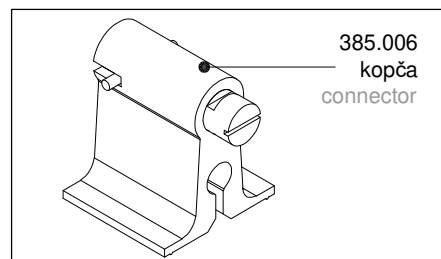
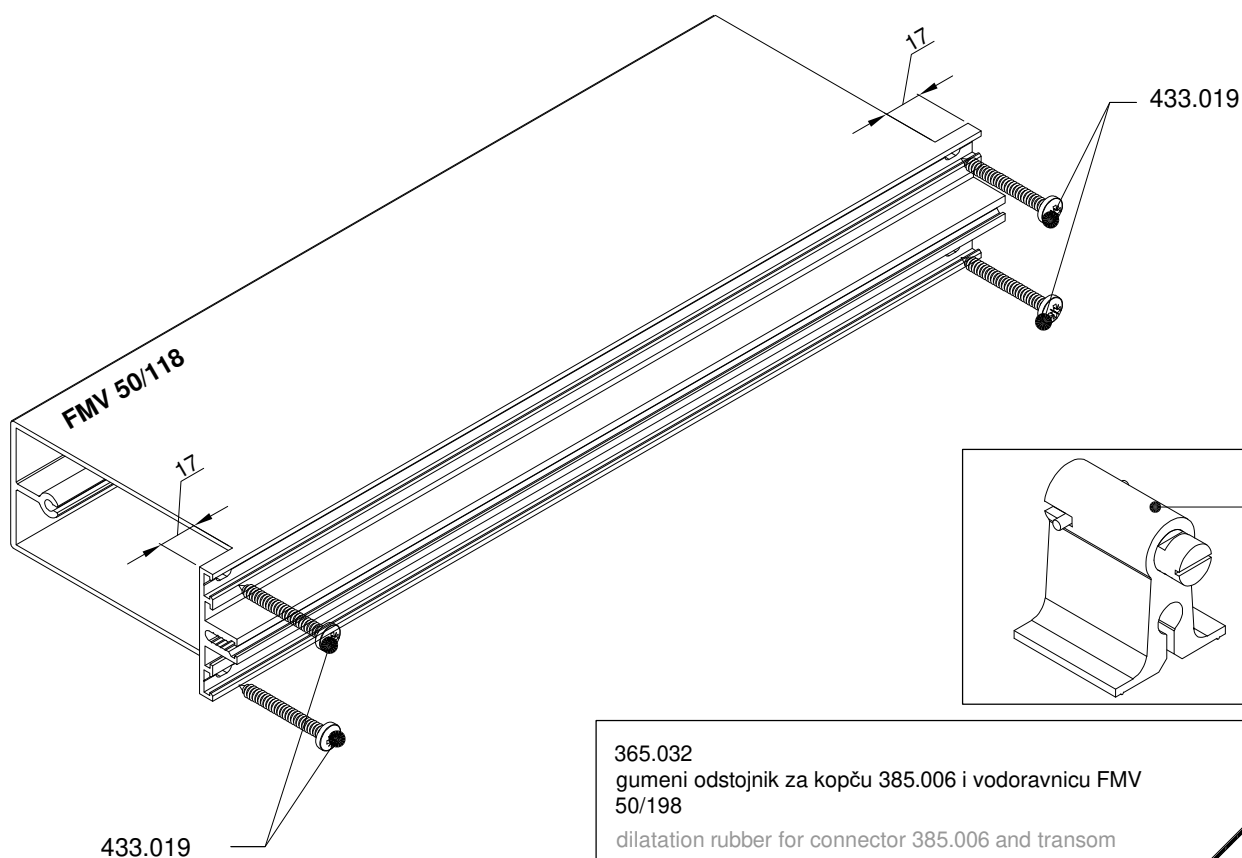
- Processing of transom **FMV 50/118** for mullion **FMO 50/120** or greater (dilatation rubber 365.030 for connector 385.006)



PRESJEK B-B
CROSS SECTION B-B

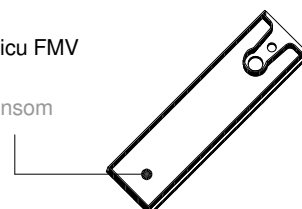


PRESJEK A-A
CROSS SECTION A-A

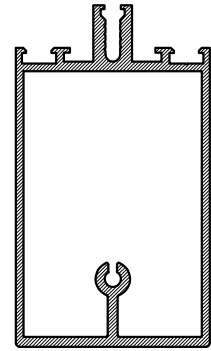
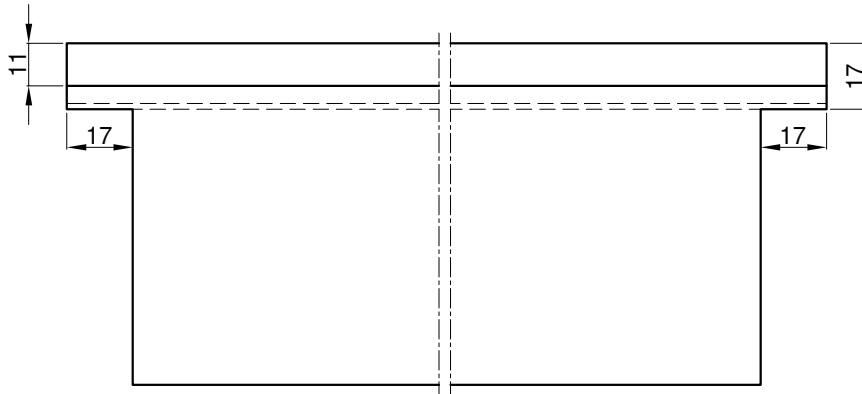


385.006
kopča
connector

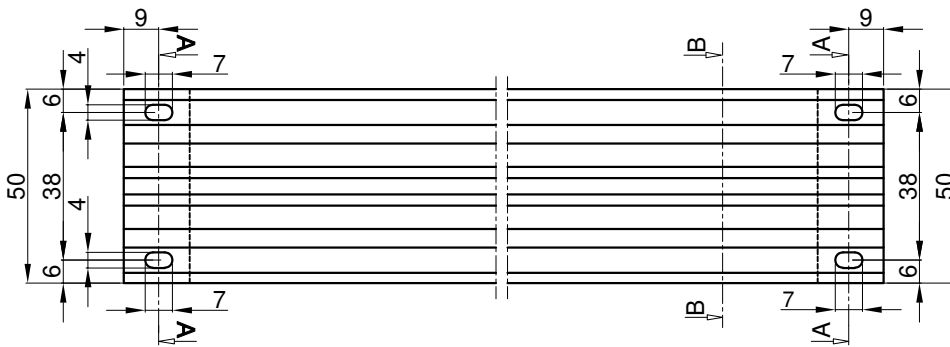
365.032
gumeni odstožnik za kopču 385.006 i vodoravnicu FMV
50/198
dilatation rubber for connector 385.006 and transom
FMV 50/198



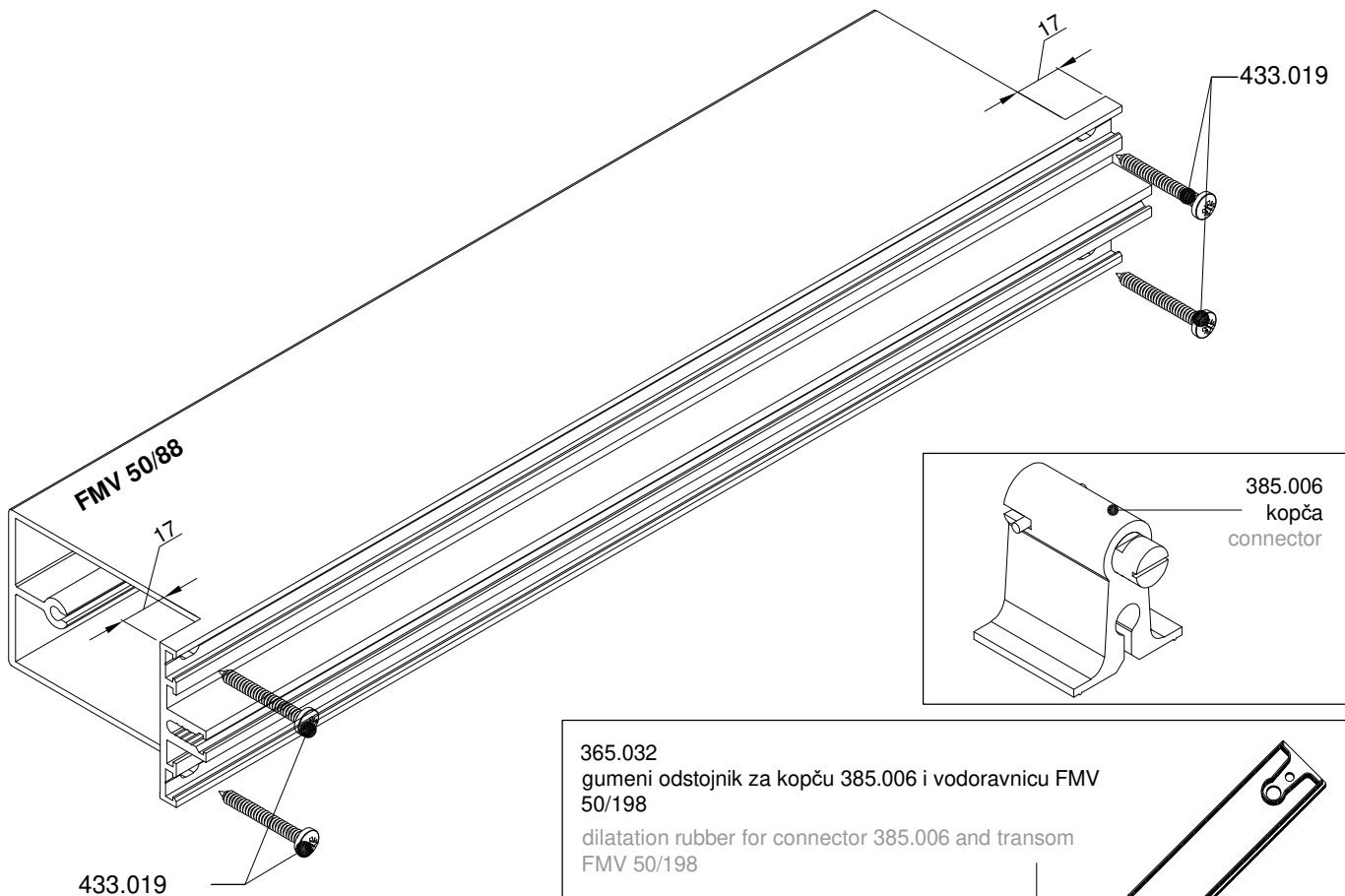
- Obrada vodoravnice **FMV 50/88** za okomicu **FMO 50/90** ili veću (gumeni odstojnik 365.029 za kopču 385.006)
- Processing of transom **FMV 50/88** for mullion **FMO 50/90** or greater (dilatation rubber 365.029 for connector 385.006)



PRESJEK B-B
CROSS SECTION B-B

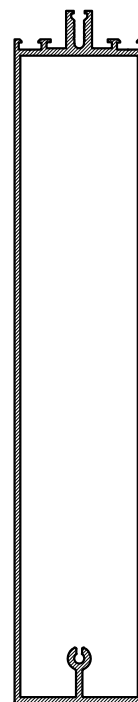
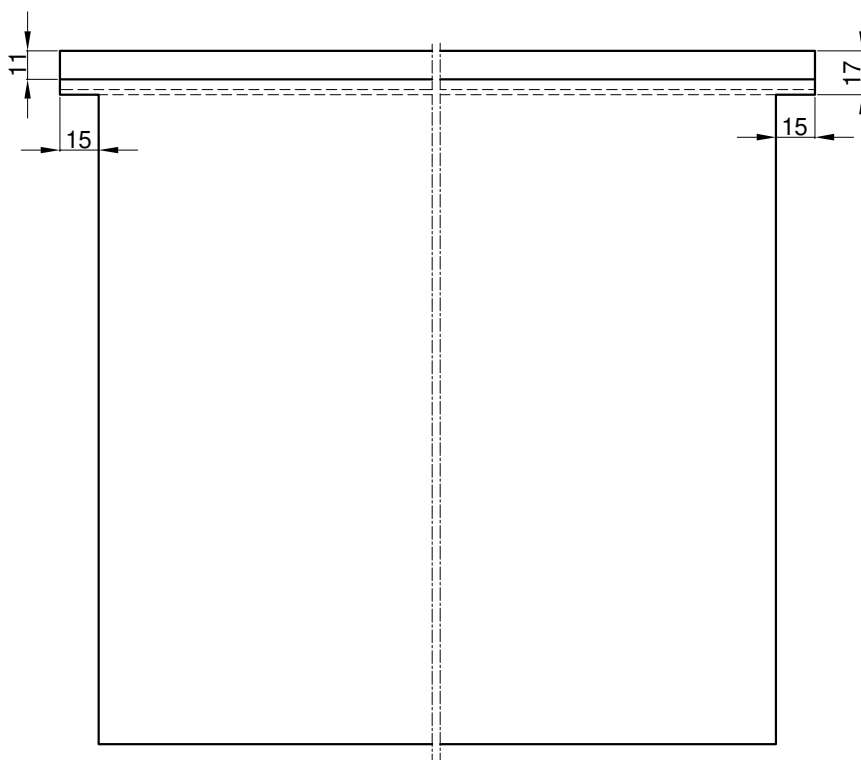


PRESJEK A-A
CROSS SECTION A-A

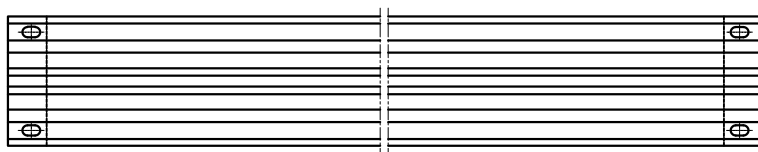


365.032
gumeni odstojnik za kopču 385.006 i vodoravnicu FMV 50/198
dilatation rubber for connector 385.006 and transom FMV 50/198

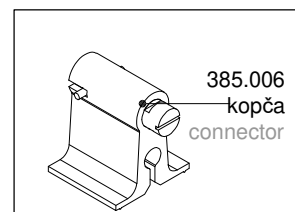
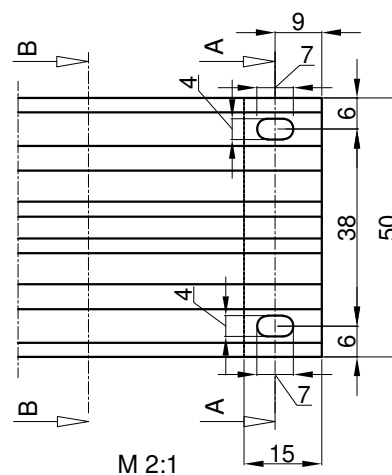
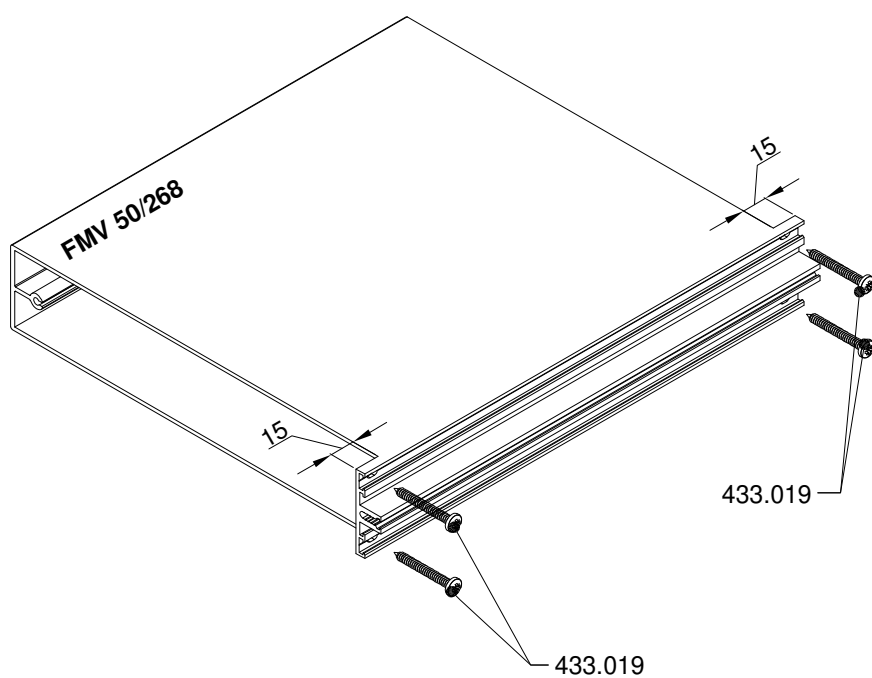
- Obrada vodoravnice **FMV 50/268** za okomicu **FMO 50/270** (na nulu)
- Processing of transom **FMV 50/268** for mullion **FMO 50/270** (no dilatation rubber)



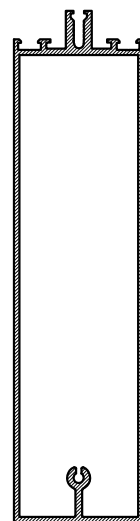
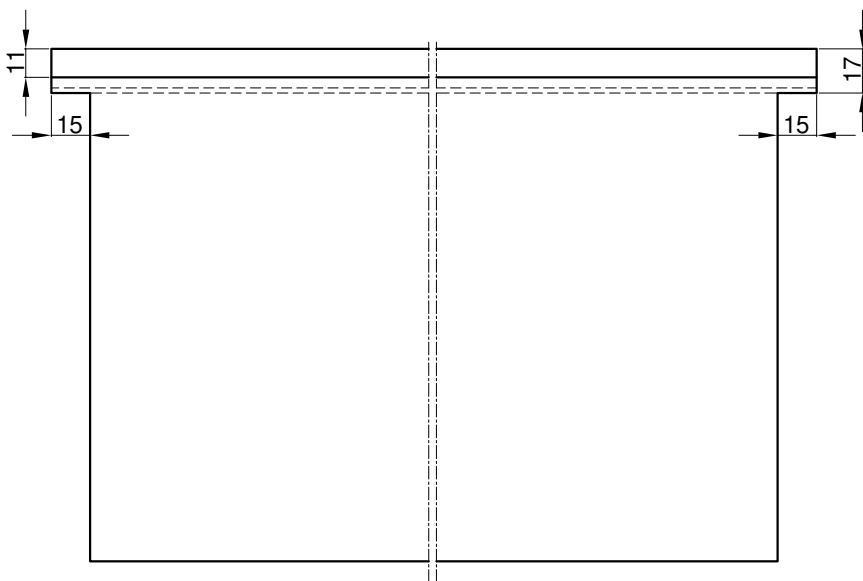
PRESJEK B-B
CROSS SECTION B-B



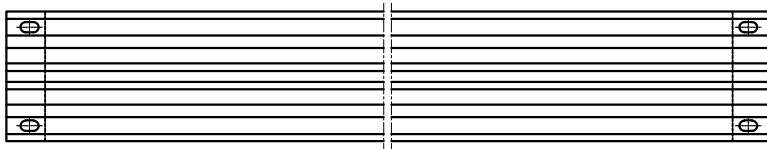
PRESJEK A-A
CROSS SECTION A-A



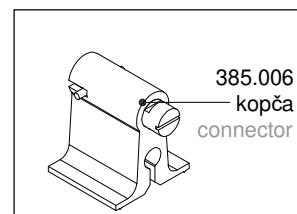
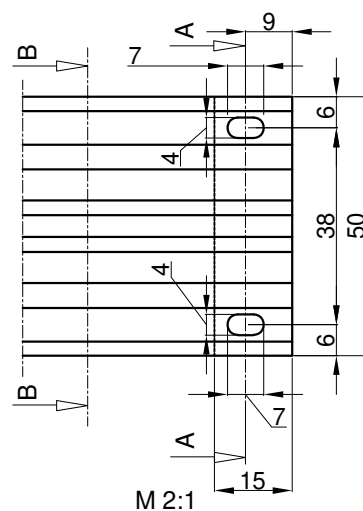
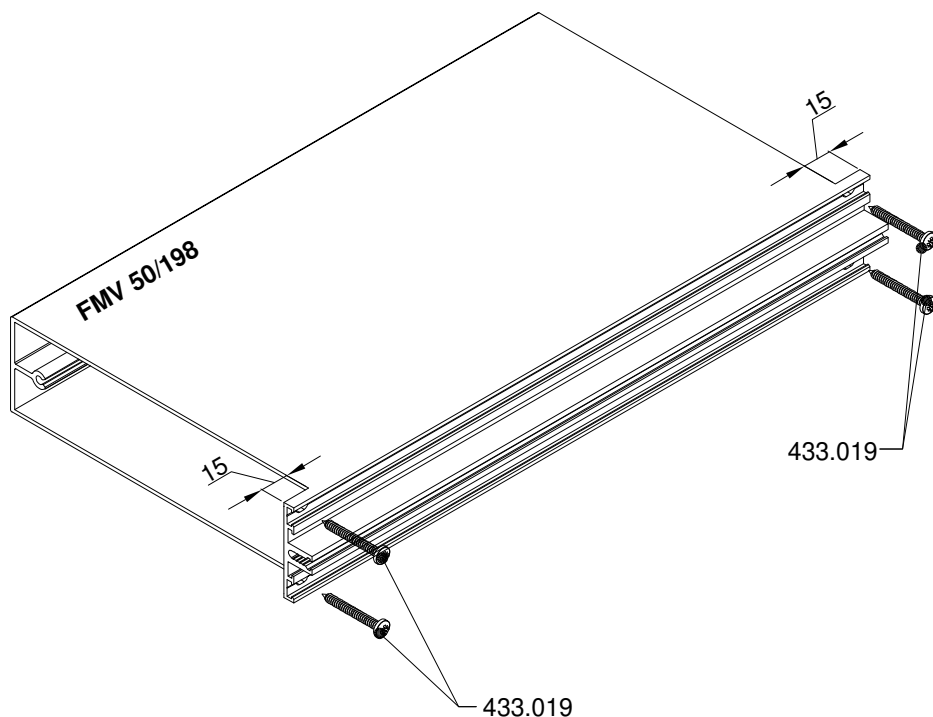
- Obrada vodoravnice **FMV 50/198** za okomicu **FMO 50/200** ili veću (na nulu)
- Processing of transom **FMV 50/198** for mullion **FMO 50/200** or greater (no dilatation rubber)



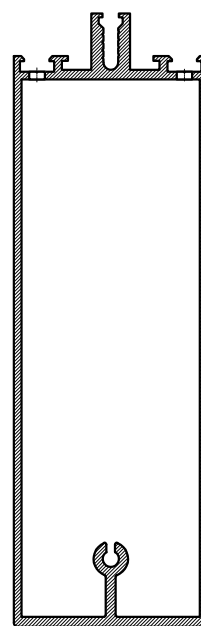
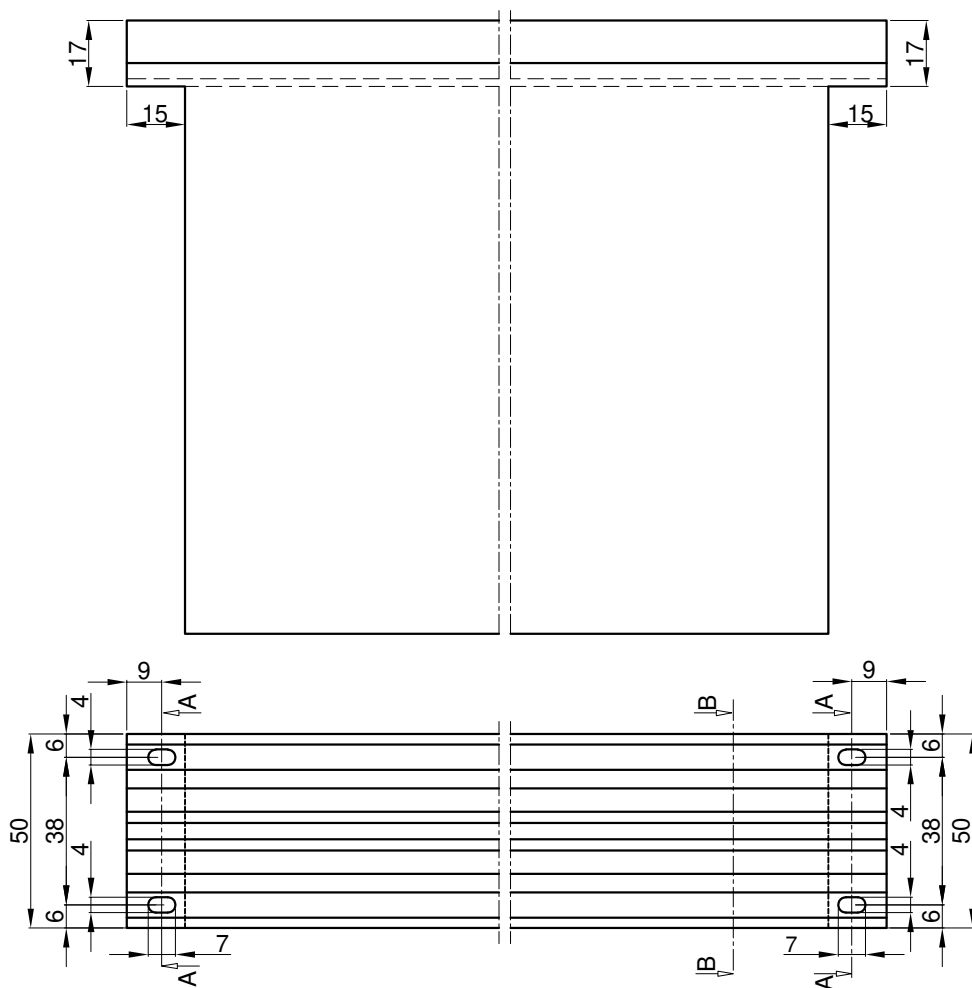
PRESJEK B-B
CROSS SECTION B-B



PRESJEK A-A
CROSS SECTION A-A



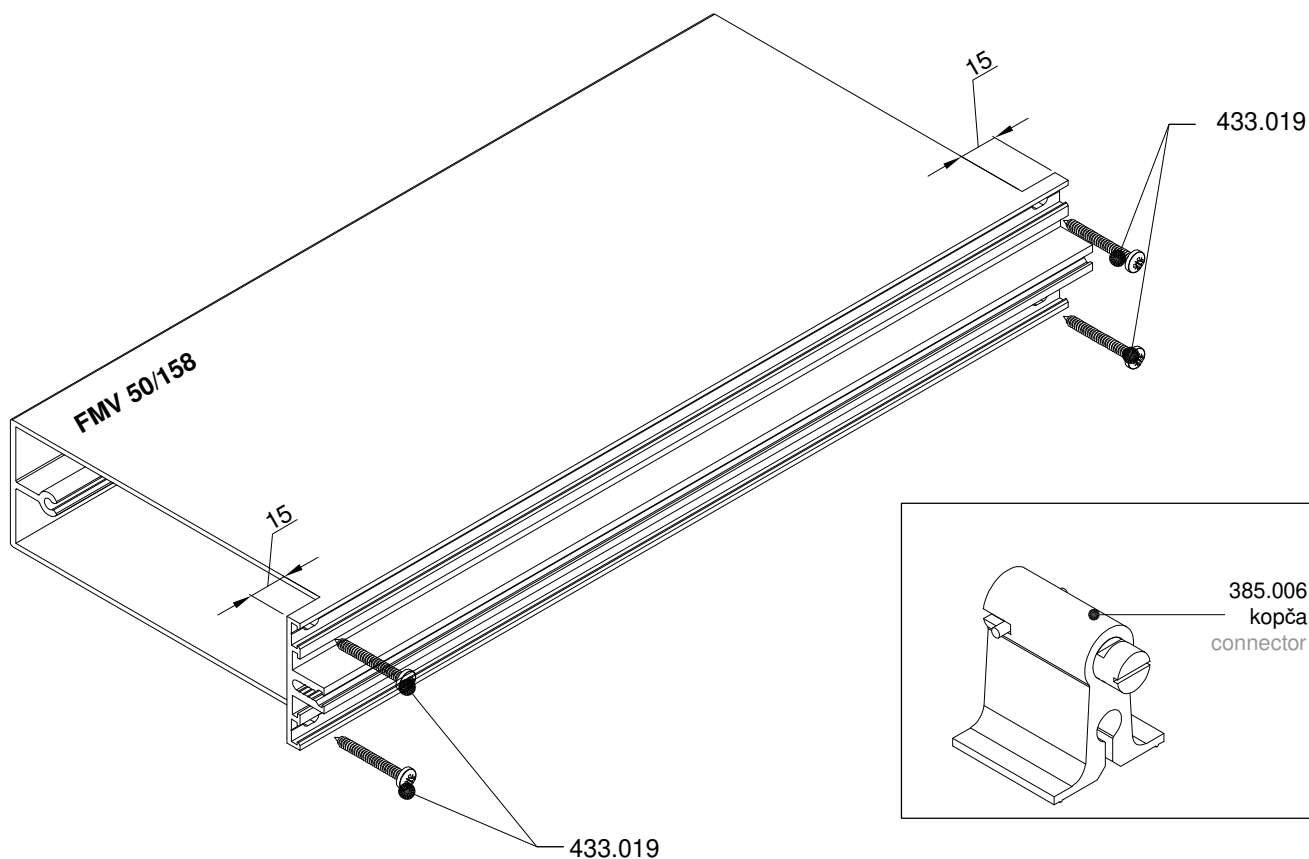
- Obrada vodoravnice **FMV 50/158** za okomicu **FMO 50/160** ili veću (na nulu)
- Processing of transom **FMV 50/158** for mullion **FMO 50/160** or greater (no dilatation rubber)



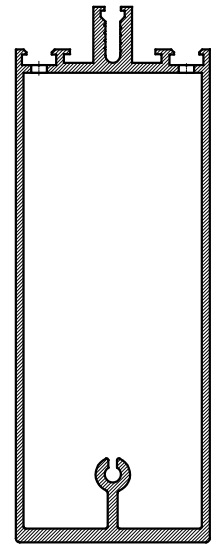
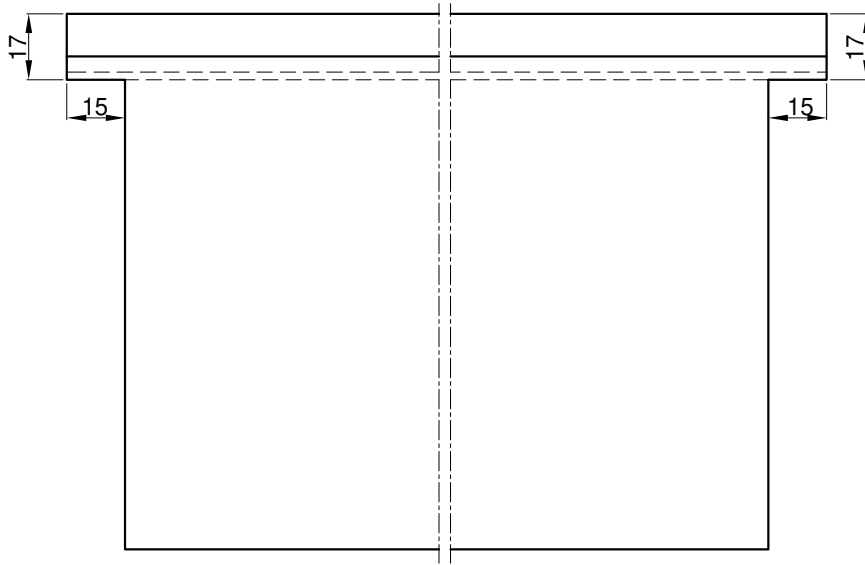
PRESJEK B-B
CROSS SECTION B-B



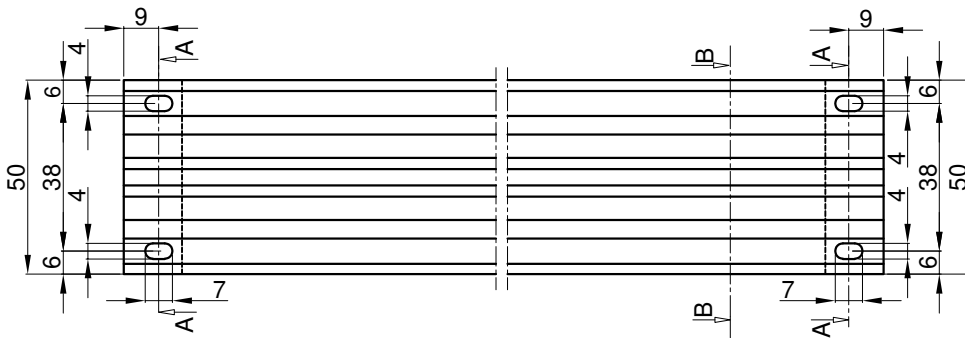
PRESJEK A-A
CROSS SECTION A-A



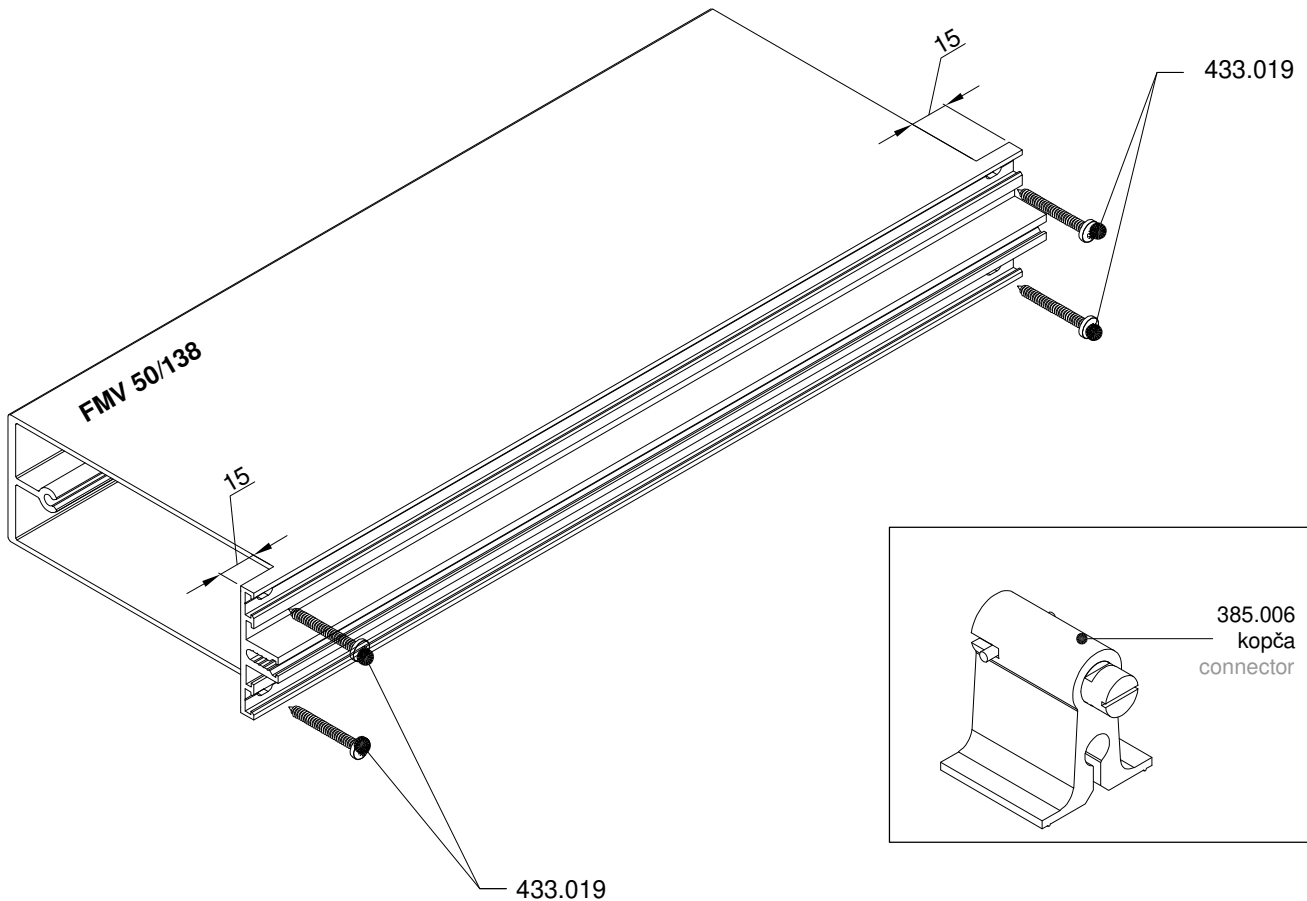
- Obrada vodoravnice **FMV 50/138** za okomicu **FMO 50/140** ili veću (na nulu)
- Processing of transom **FMV 50/138** for mullion **FMO 50/140** or greater (no dilatation rubber)



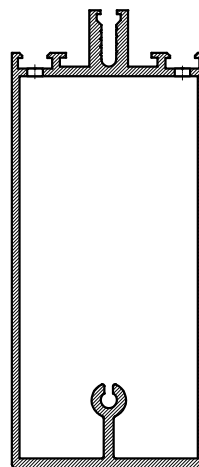
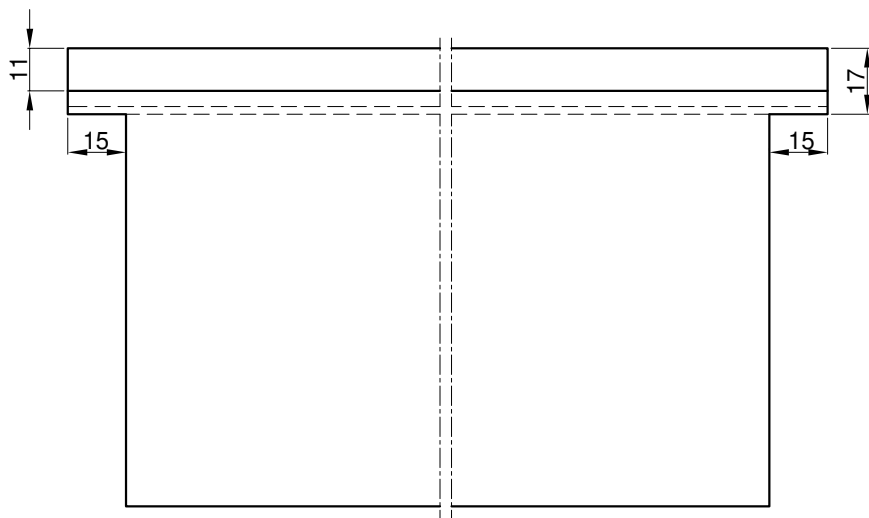
PRESJEK B-B
CROSS SECTION B-B



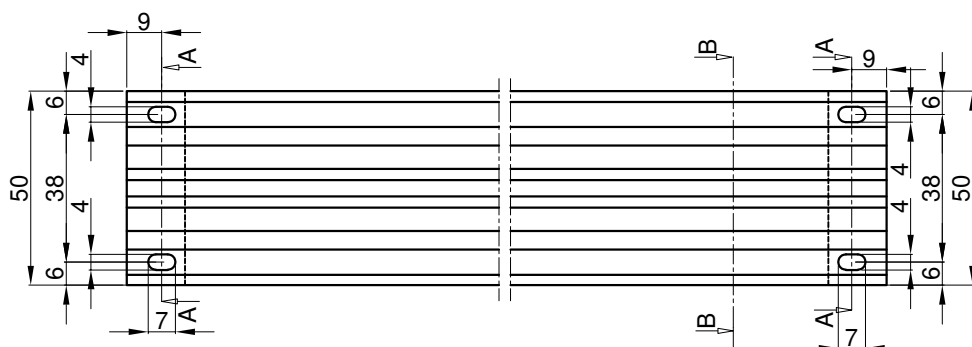
PRESJEK A-A
CROSS SECTION A-A



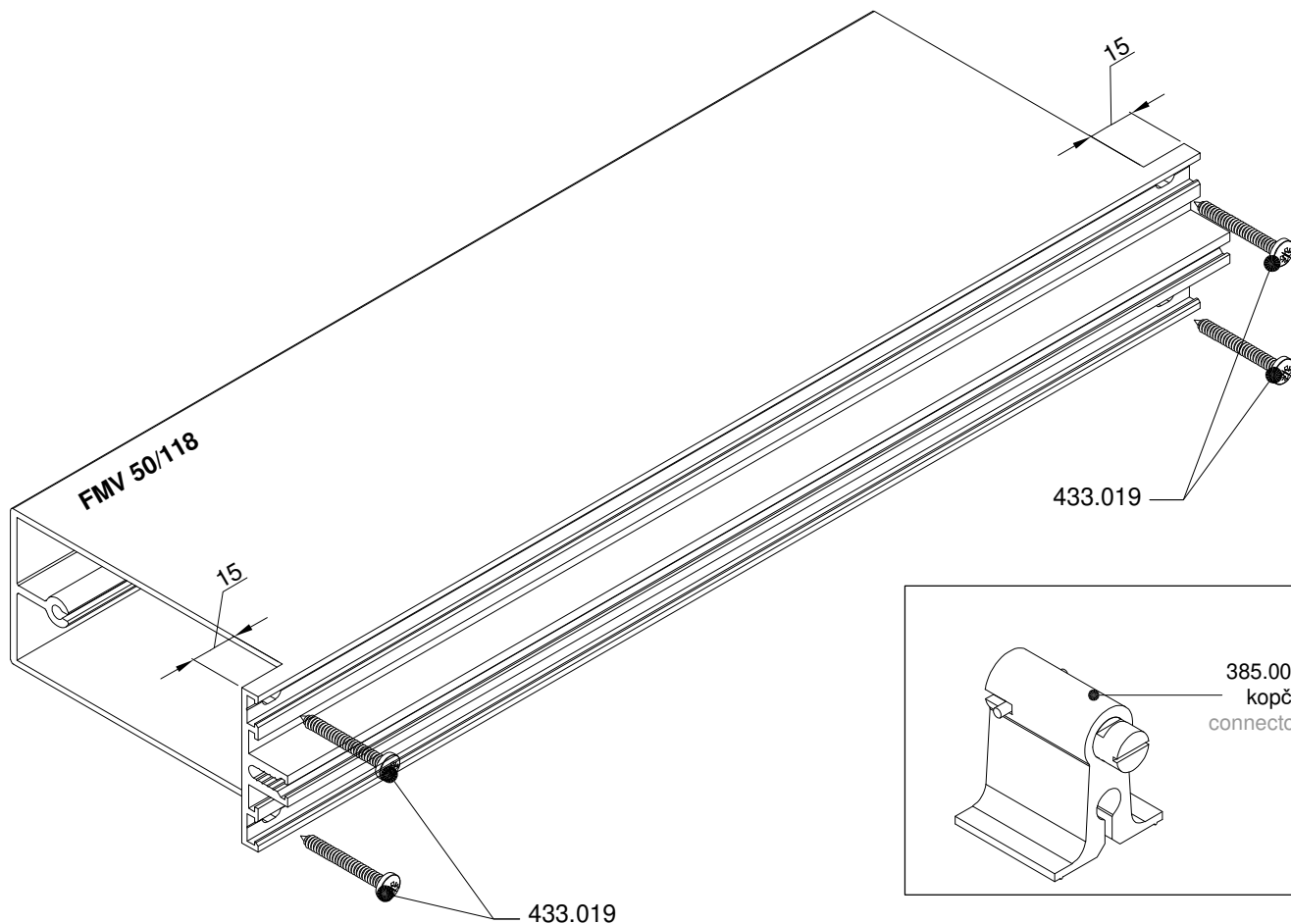
- Obrada vodoravnice **FMV 50/118** za okomicu **FMO 50/120** ili veću (na nulu)
- Processing of transom **FMV 50/118** for mullion **FMO 50/120** or greater (no dilatation rubber)



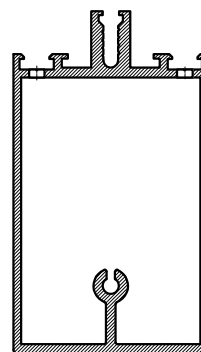
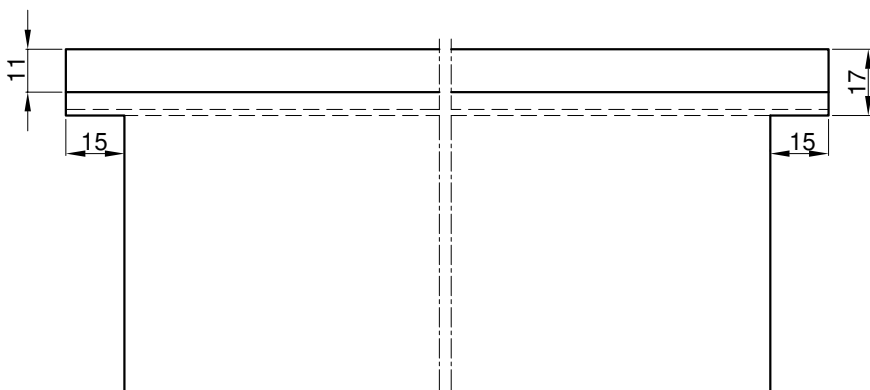
PRESJEK B-B
CROSS SECTION B-B



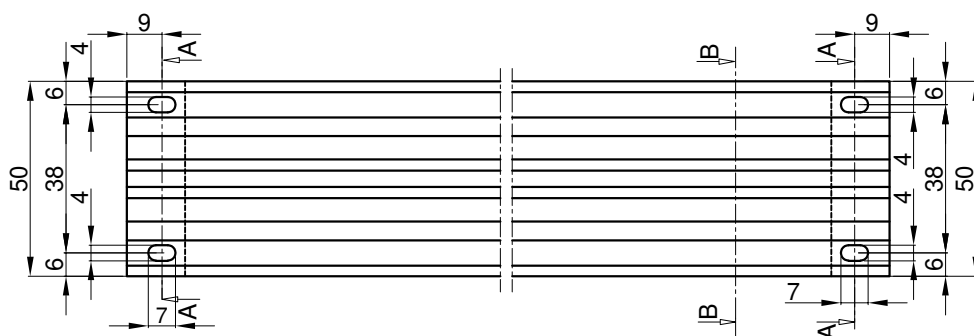
PRESJEK A-A
CROSS SECTION A-A



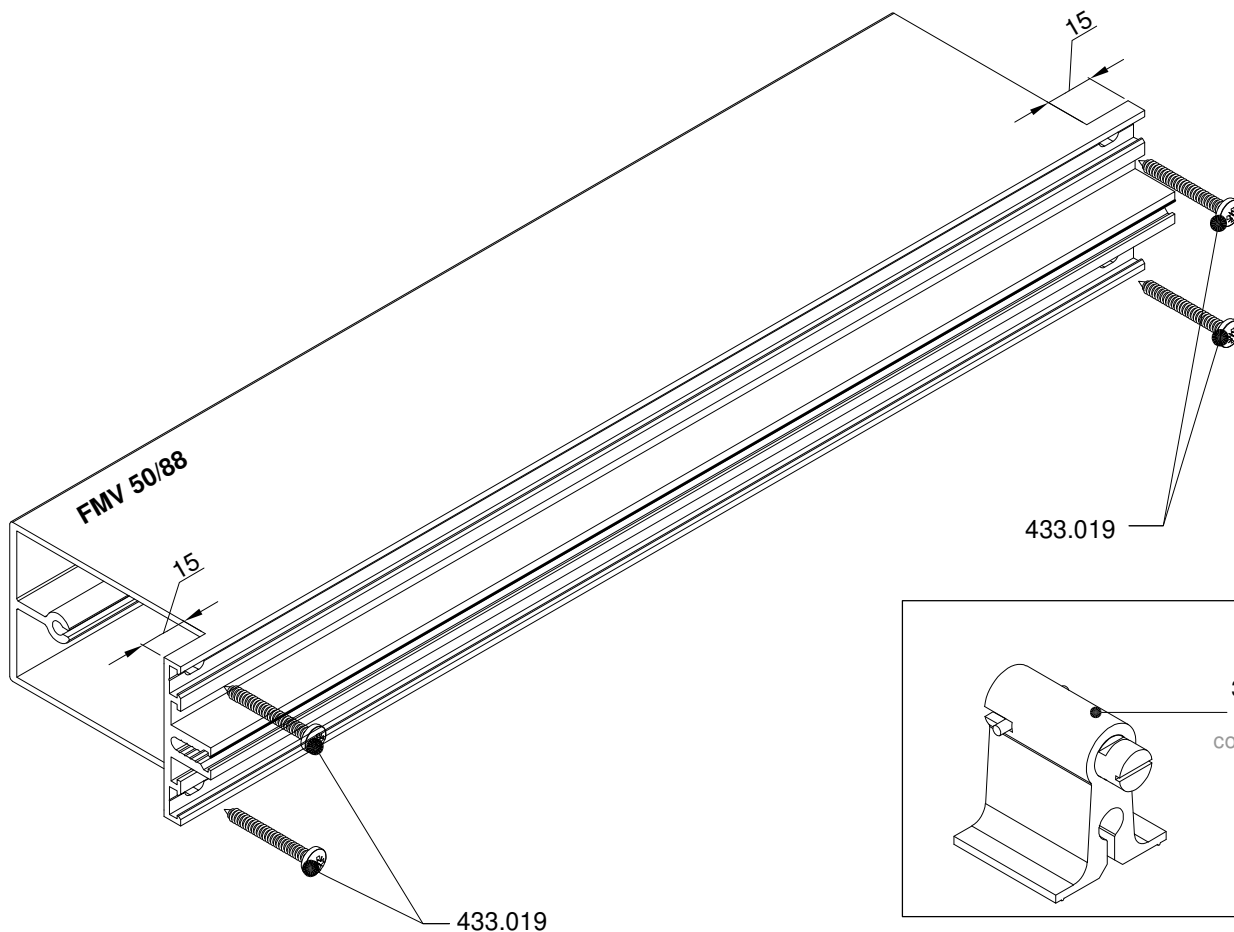
- Obrada vodoravnice **FMV 50/88** za okomicu **FMO 50/90** ili veću (na nulu)
- Processing of transom **FMV 50/88** for mullion **FMO 50/90** or greater (no dilatation rubber)



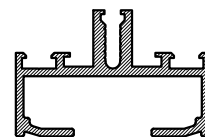
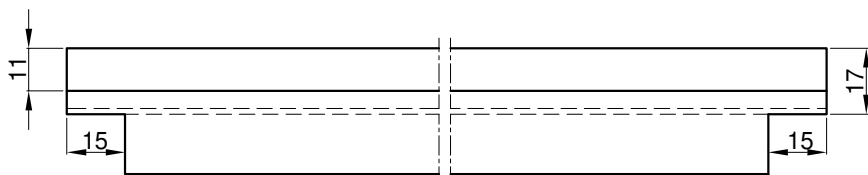
PRESJEK B-B
CROSS SECTION B-B



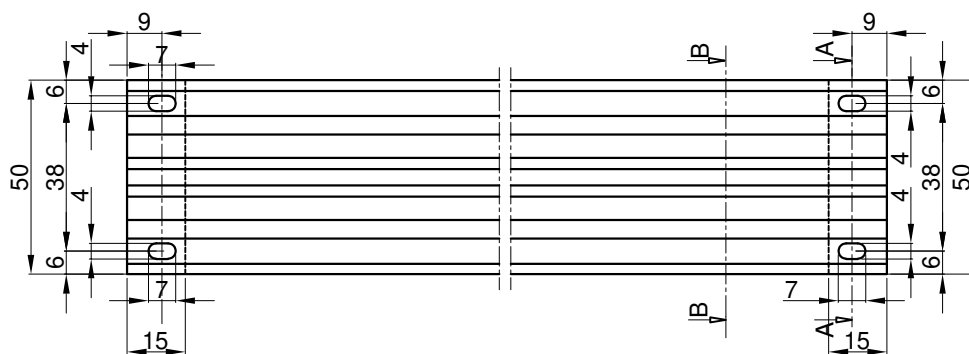
PRESJEK A-A
CROSS SECTION A-A



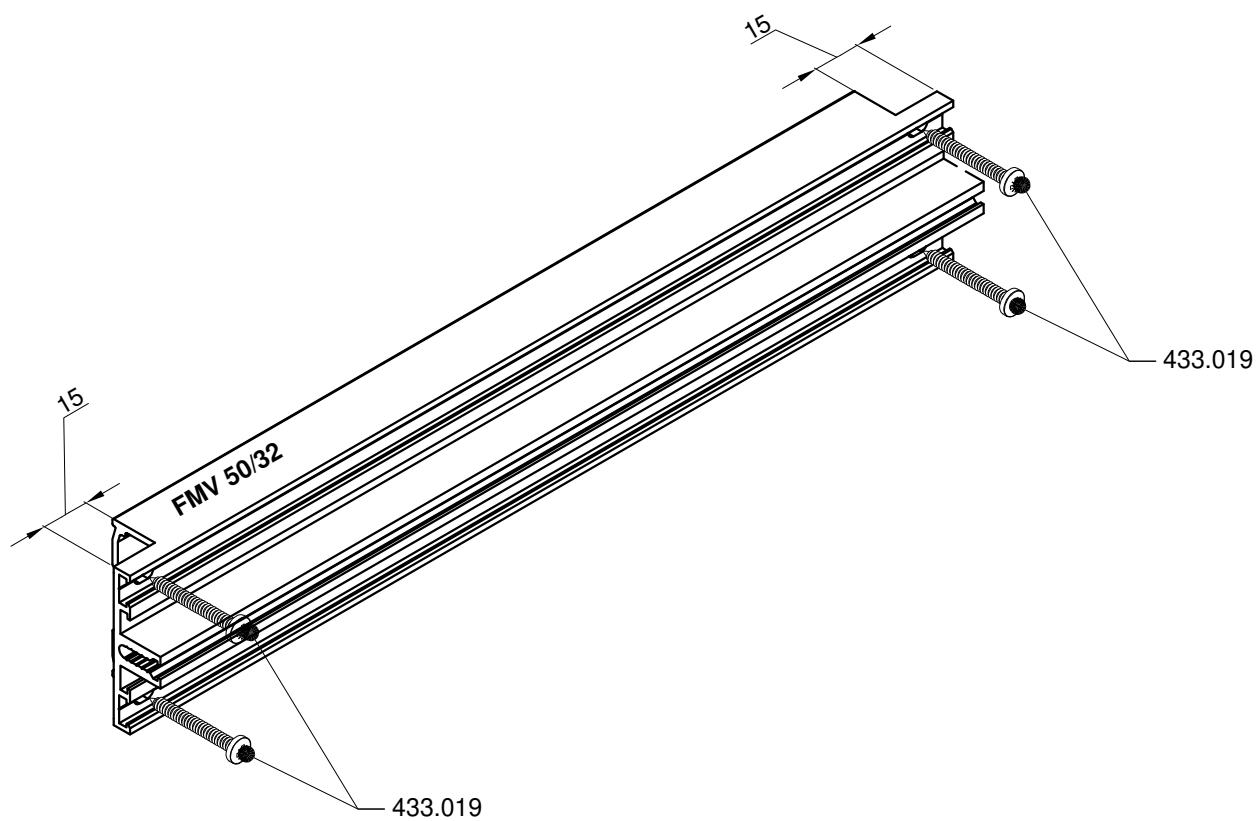
- Obrada vodoravnice **FMV 50/32** za okomicu **FMO 50/32** (na nulu)
- Processing of transom **FMV 50/32** for mullion **FMO 50/32** (no dilatation rubber)



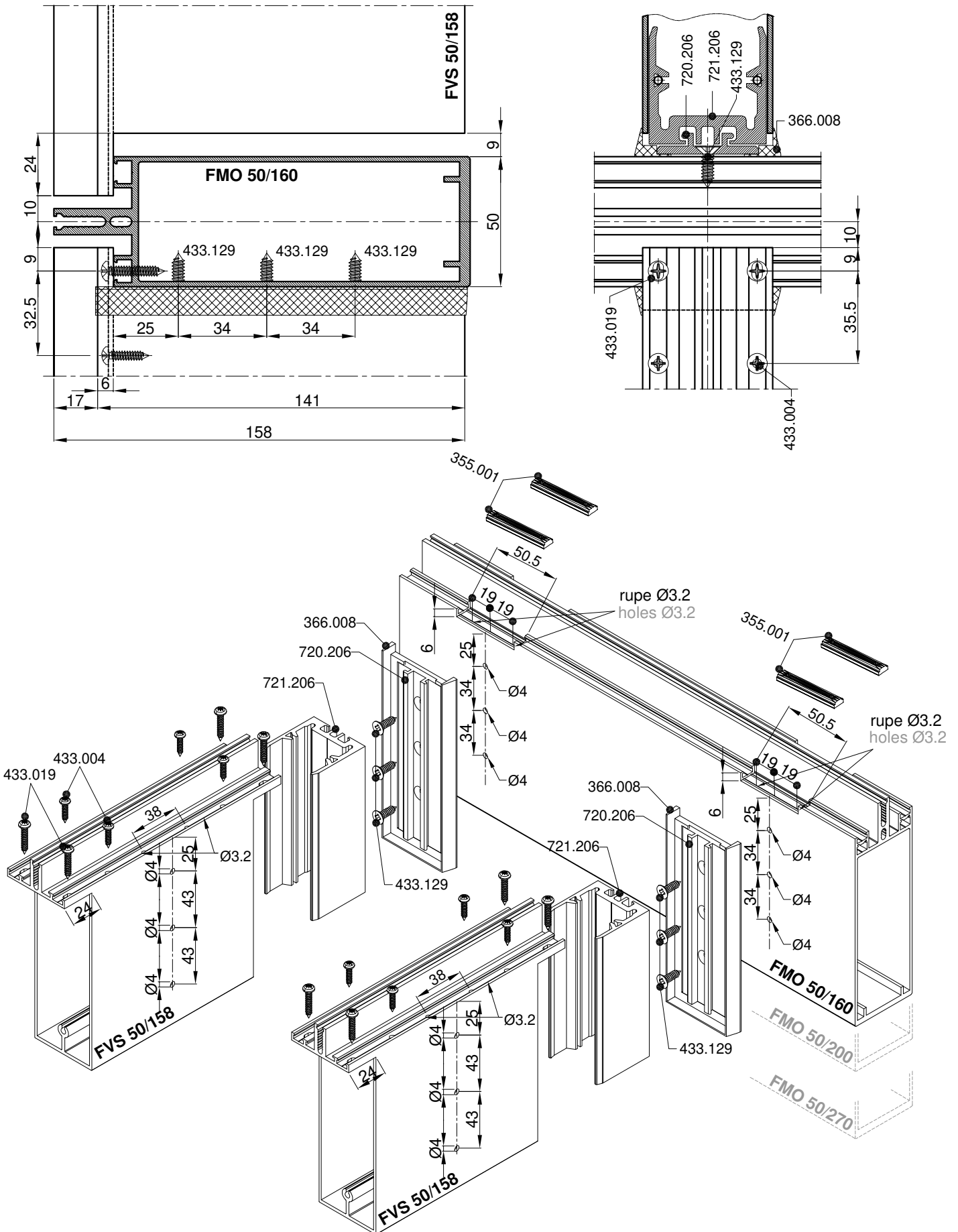
PRESJEK B-B
CROSS SECTION B-B



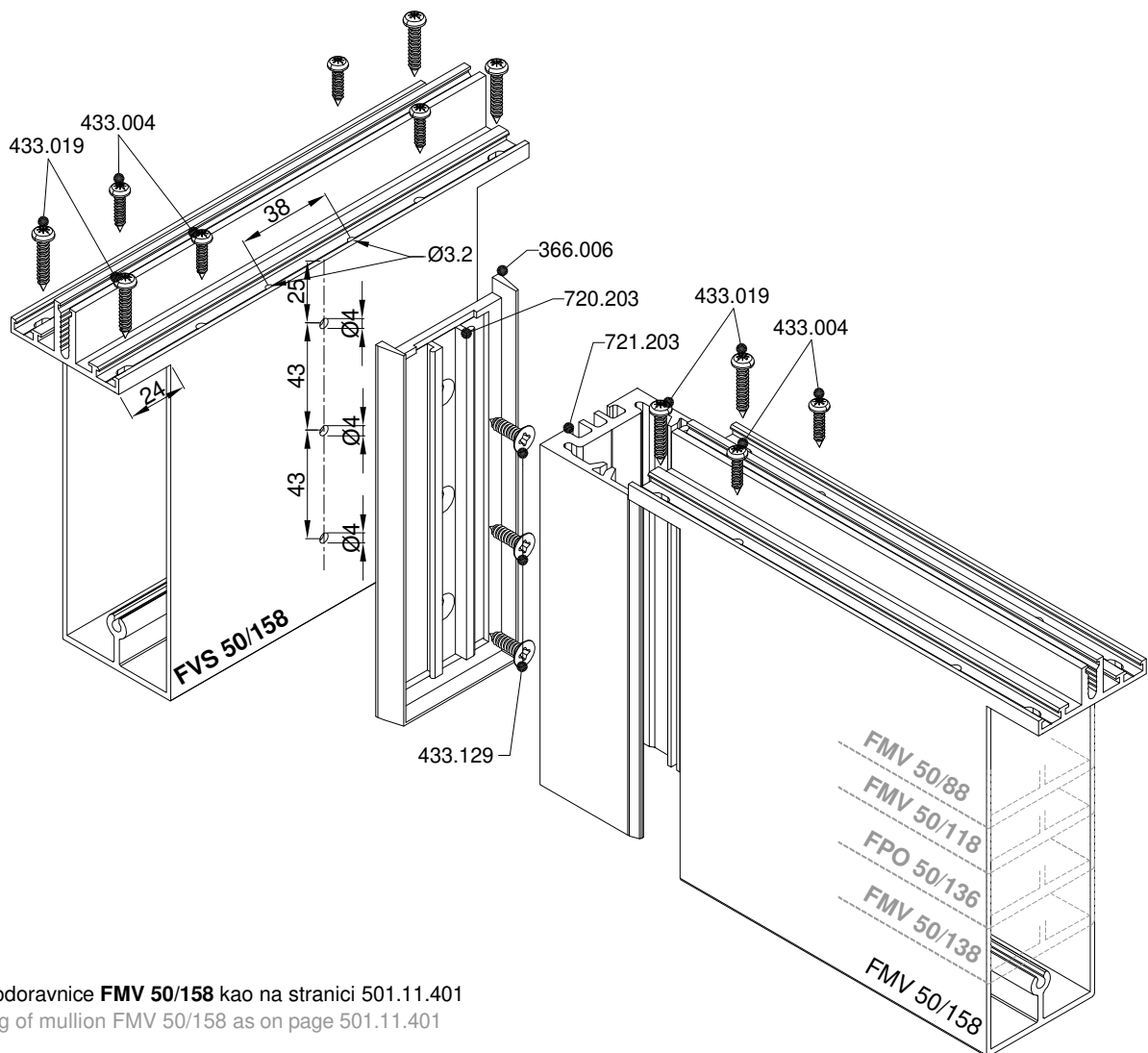
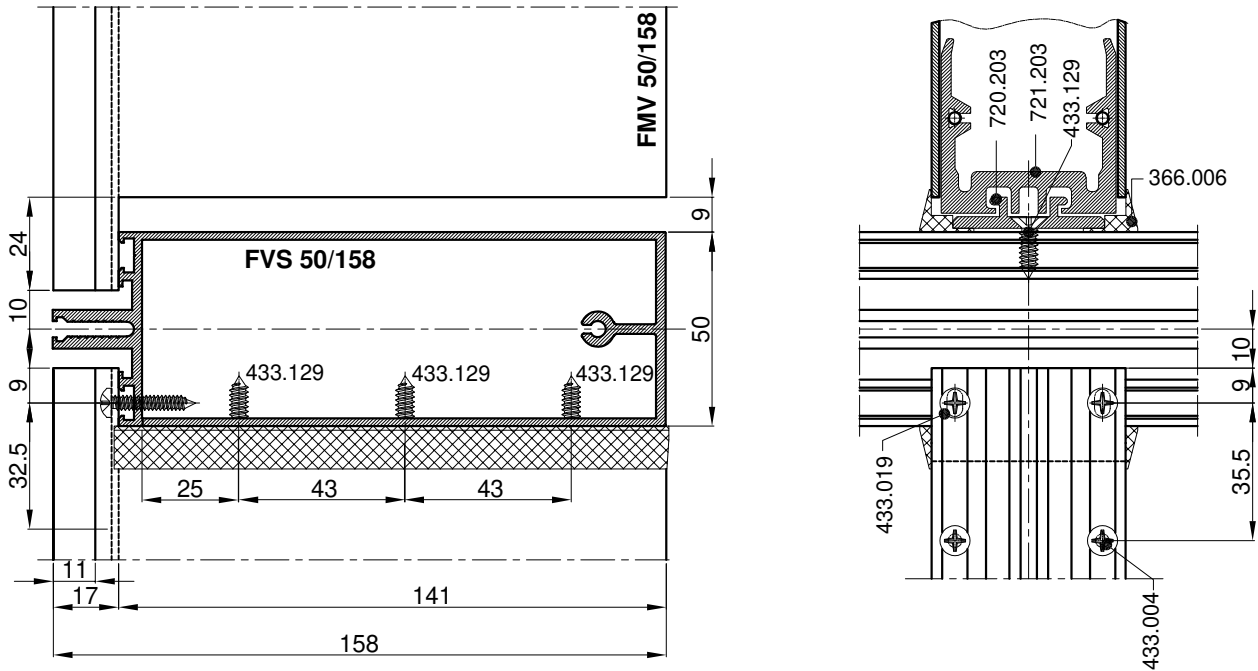
PRESJEK A-A
CROSS SECTION A-A



- Obrada okomice FMO 50/160 za prihvat pomoćne vodoravnice FVS 50/158 treći nivo fasade (gumeni odstožnik s obrubom)
- Processing of mullion FMO 50/160 for auxiliary transom FVS 50/158 third level (rimmed dilatation rubber)

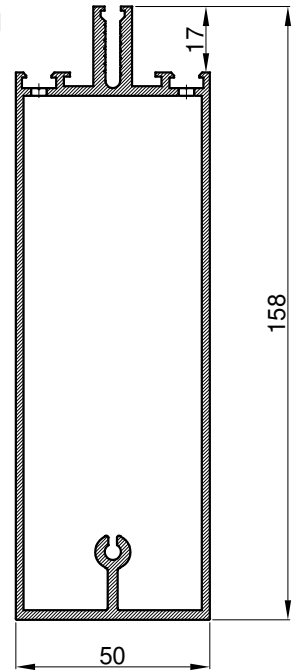
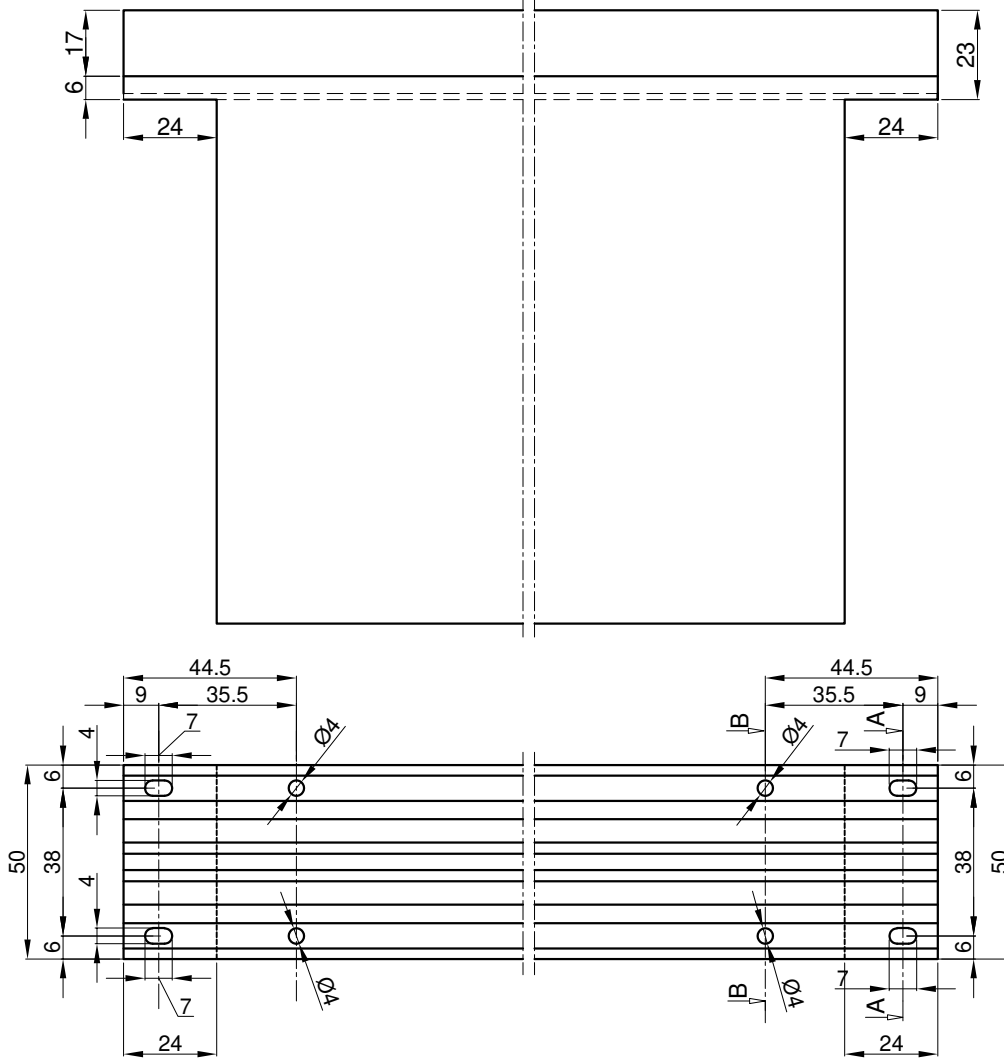


- Obrada pomoćne vodoravnice **FVS 50/158** za okomicu **FMO 50/160** (gumeni odstojnik s obrubom) i vodoravnicu **FMV 50/158** (gumeni odstojnik s obrubom) treći nivo
- Processing of auxiliary transom **FVS 50/138** for mullion **FMO 50/160** (rimmed dilatation rubber) and transom **FMV 50/158** (rimmed dilatation rubber) third level



Obrada vodoravnice **FMV 50/158** kao na stranici 501.11.401
Processing of mullion **FMV 50/158** as on page 501.11.401

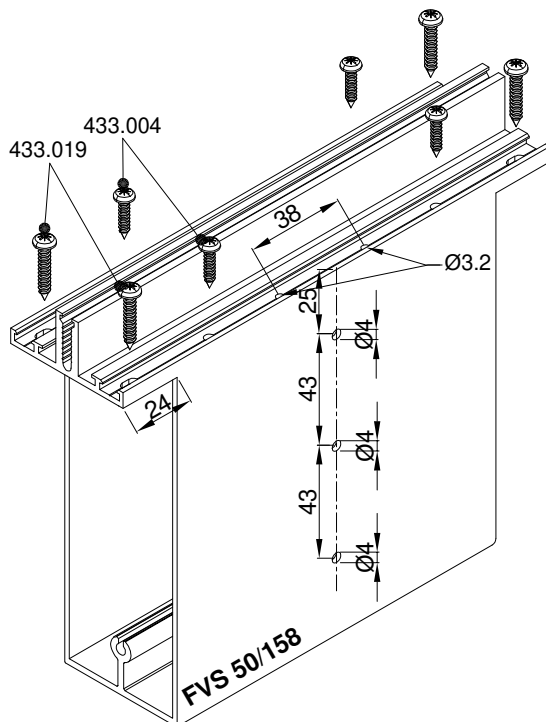
- Obrada pomoćne vodoravnice **FVS 50/158** za okomicu **FMO 50/160** (gumeni odstojnik s obrubom) i vodoravnicu **FMV 50/158** (gumeni odstojnik s obrubom) treći nivo
- Processing of auxiliary transom **FVS 50/158** for mullion **FMO 50/160** (rimmed dilatation rubber) and transom **FMV 50/158** (rimmed dilatation rubber) third level



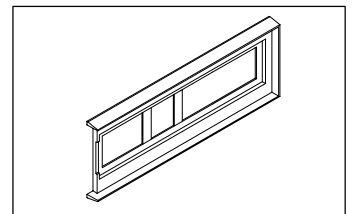
PRESJEK B-B
CROSS SECTION B-B



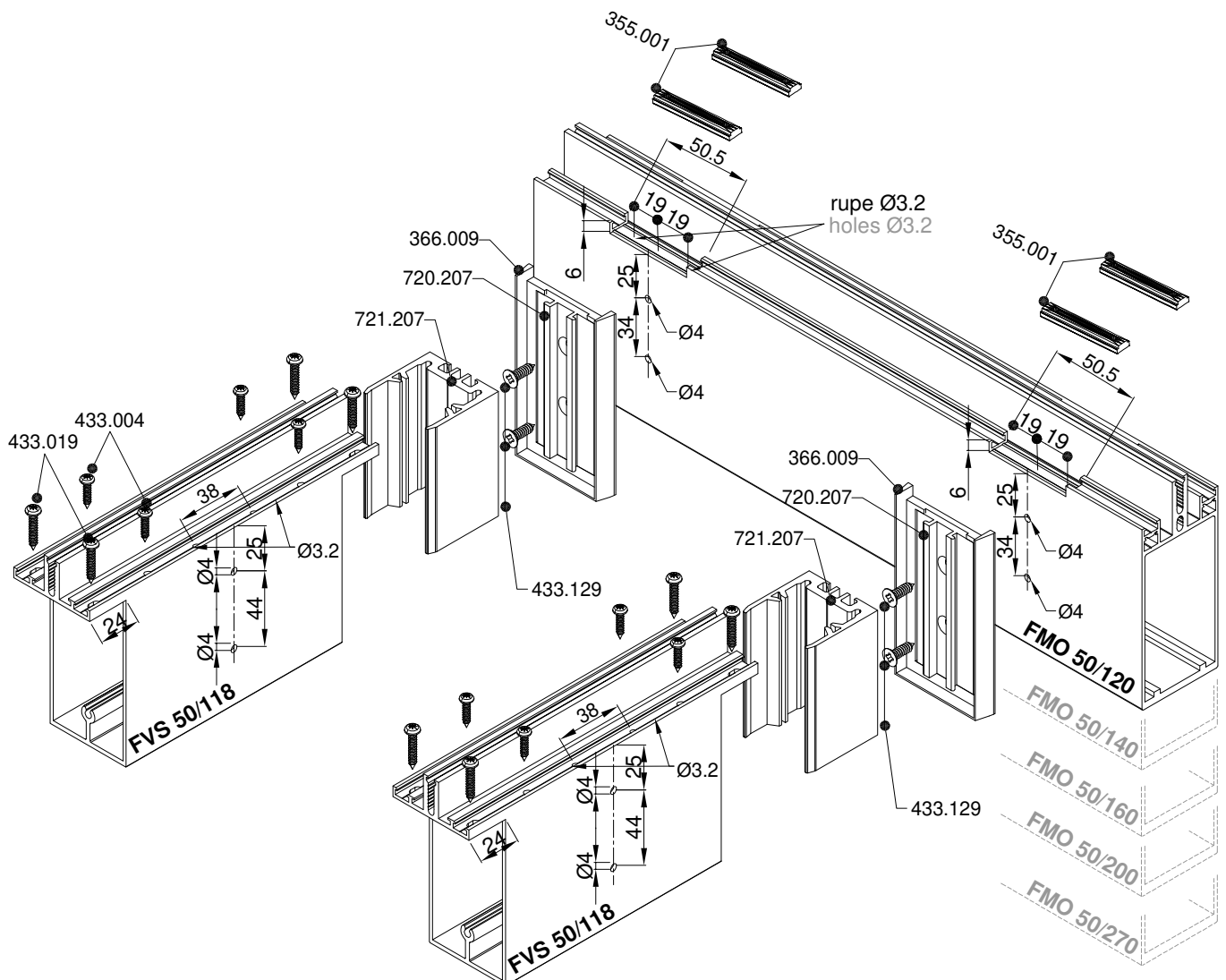
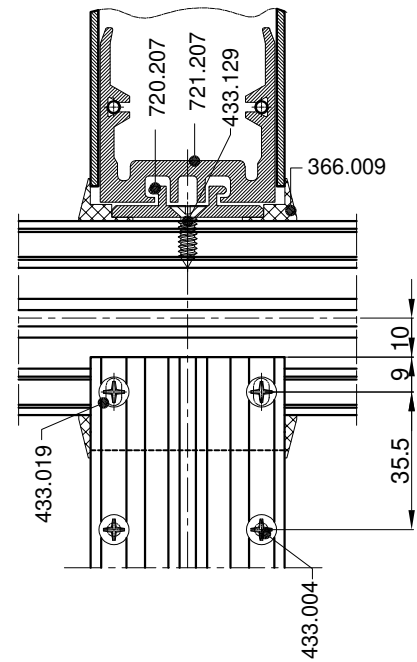
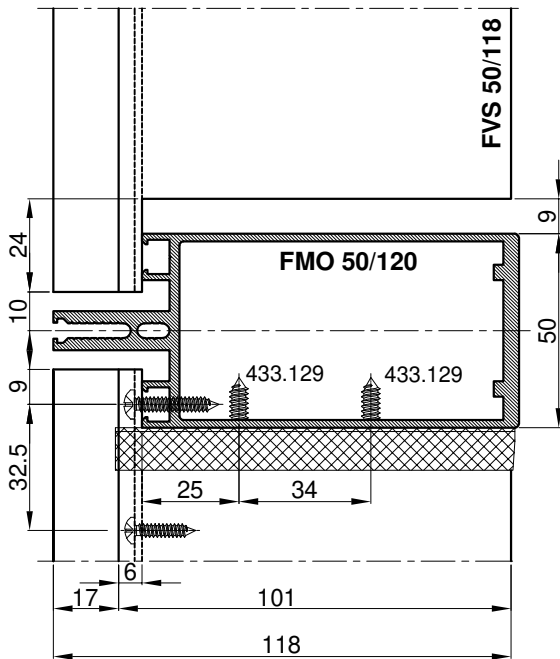
PRESJEK A-A
CROSS SECTION A-A



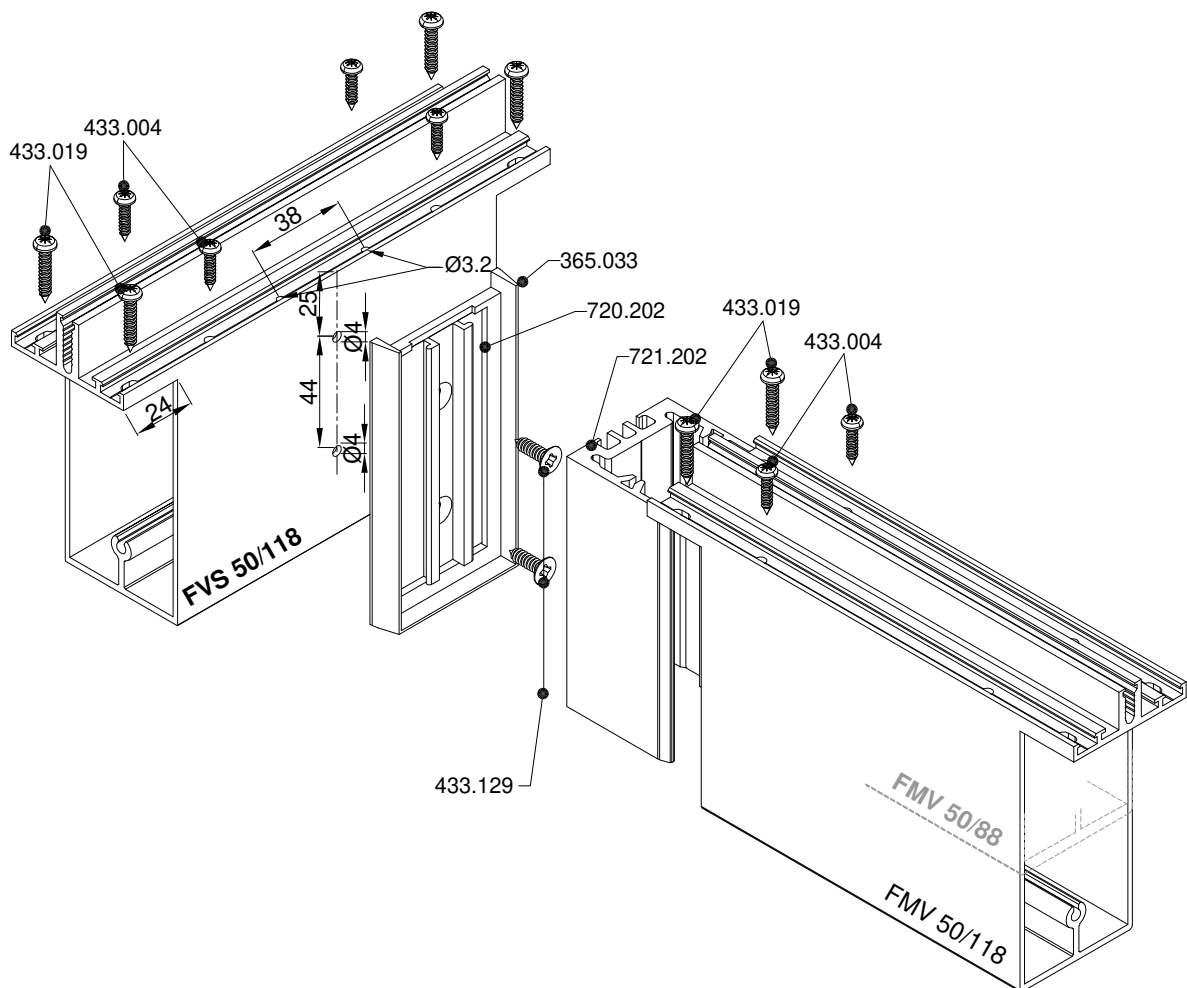
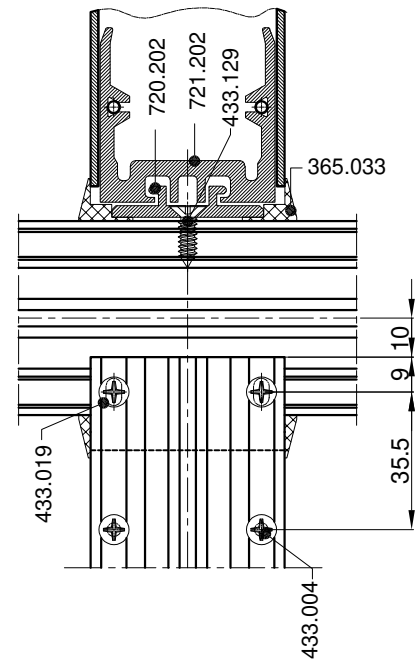
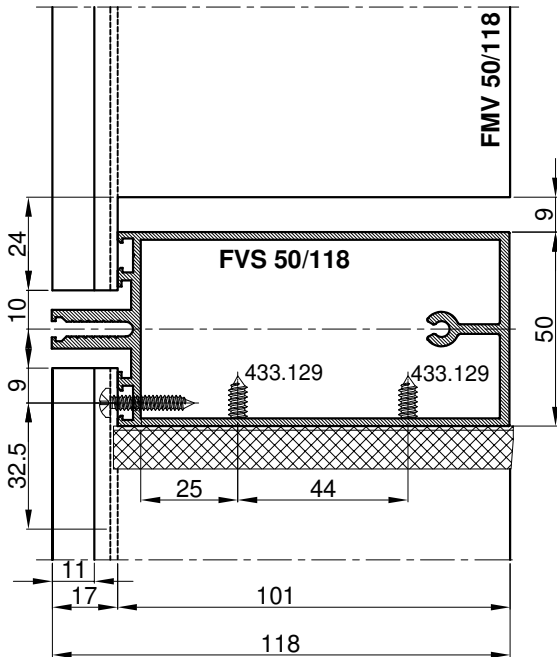
366.008
gumeni odstojnik s obrubom
za pom. vodoravnicu FVS 50/158
366.008
rimmed dilatation rubber
for aux. transom FVS 50/158



- Obrada okomice FMO 50/120 za prihvat pomoćne vodoravnice FVS 50/118 treći nivo fasade (gumeni odstojnik s obrubom)
- Processing of mullion FMO 50/120 for auxiliary transom FVS 50/118 third level (rimmed dilatation rubber)

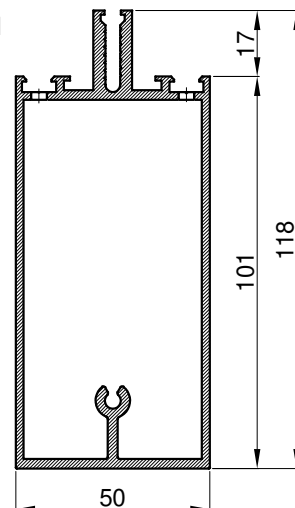
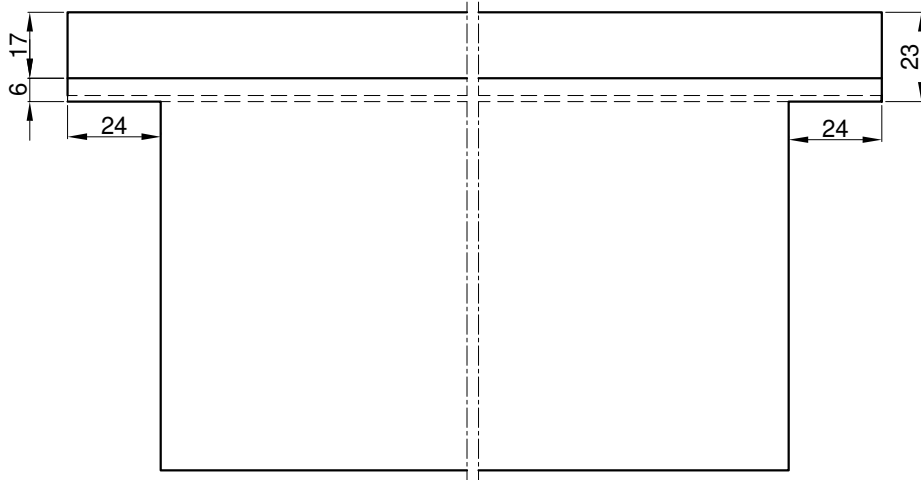


- Obrada pomoćne vodoravnice **FVS 50/118** za okomicu **FMO 50/120** (gumeni odstojnik s obrubom) i vodoravnicu **FMV 50/118** (gumeni odstojnik s obrubom) treći nivo
- Processing of auxiliary transom **FVS 50/118** for mullion **FMO 50/120** (rimmed dilatation rubber) and transom **FMV 50/118** (rimmed dilatation rubber) third level

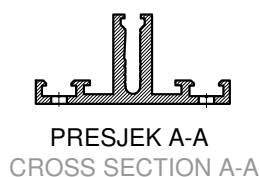
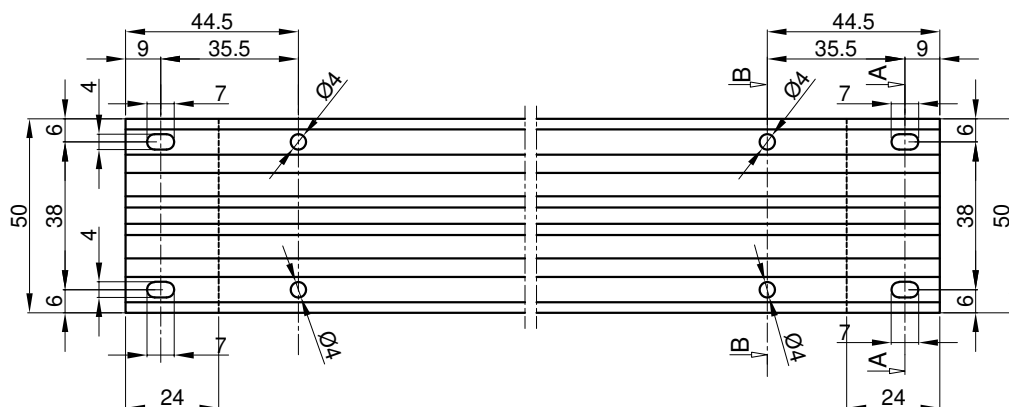


Obrada vodoravnice **FMV 50/118** kao na stranici 501.11.403
Processing of mullion **FMV 50/118** as on page 501.11.403

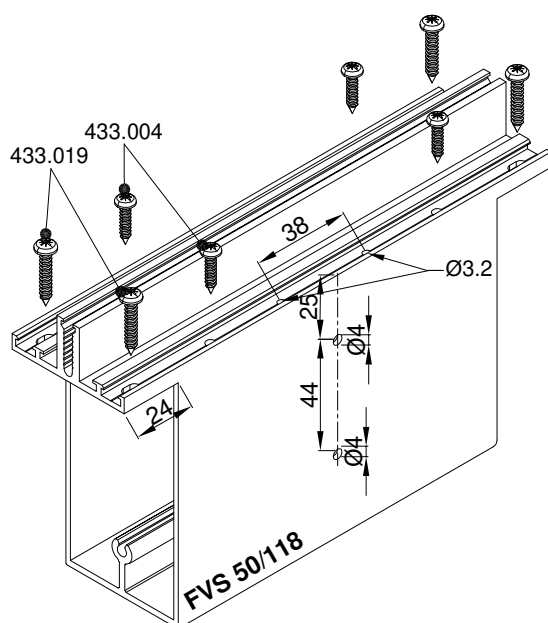
- Obrada pomoćne vodoravnice **FVS 50/118** za okomicu **FMO 50/120** (gumeni odstojnik s obrubom) i vodoravnicu **FMV 50/118** (gumeni odstojnik s obrubom) treći nivo
- Processing of auxiliary transom **FVS 50/118** for mullion **FMO 50/120** (rimmed dilatation rubber) and transom **FMV 50/118** (rimmed dilatation rubber) third level



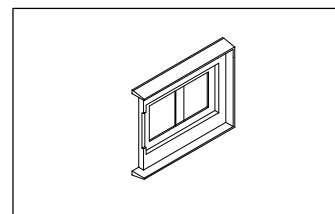
PRESJEK B-B
CROSS SECTION B-B



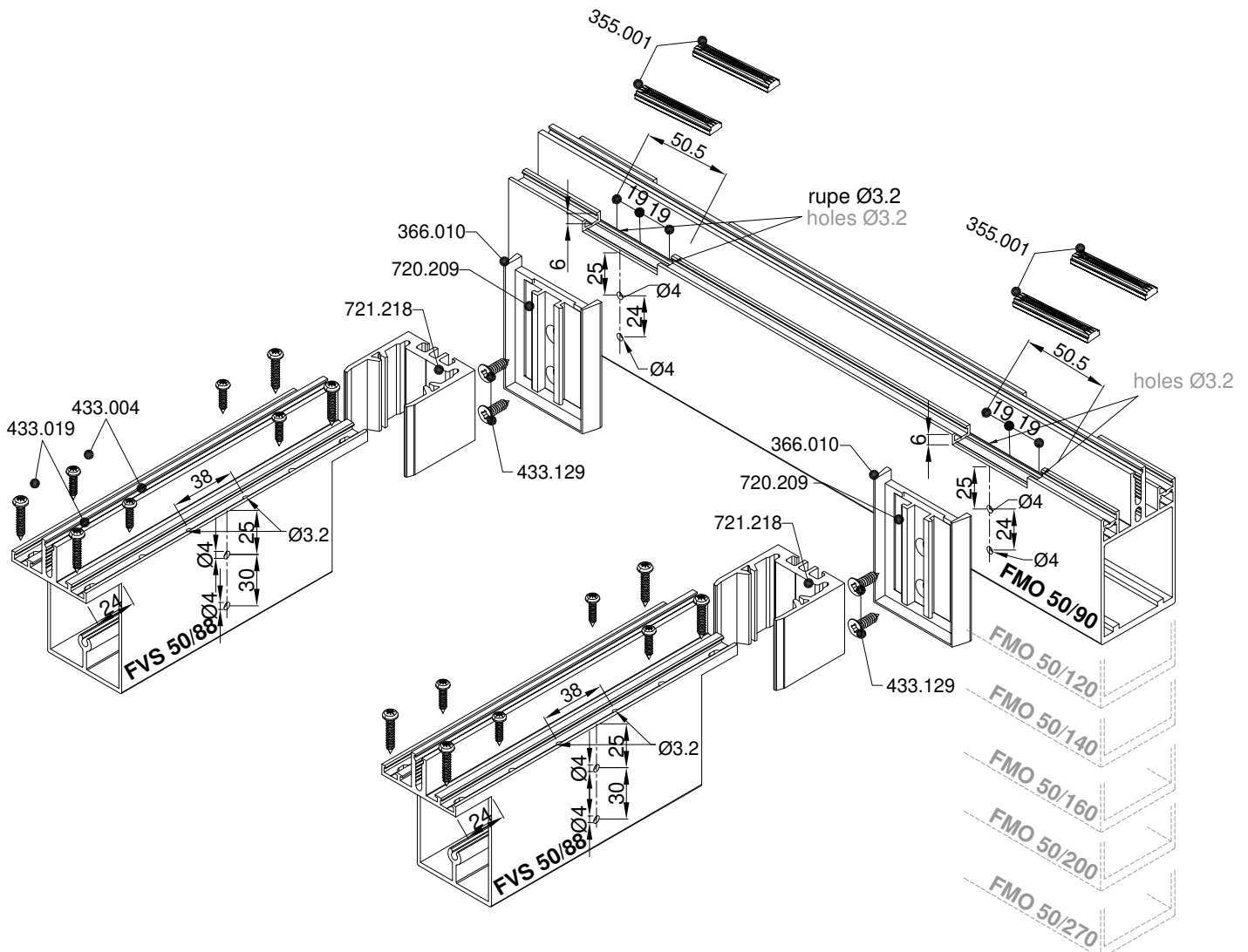
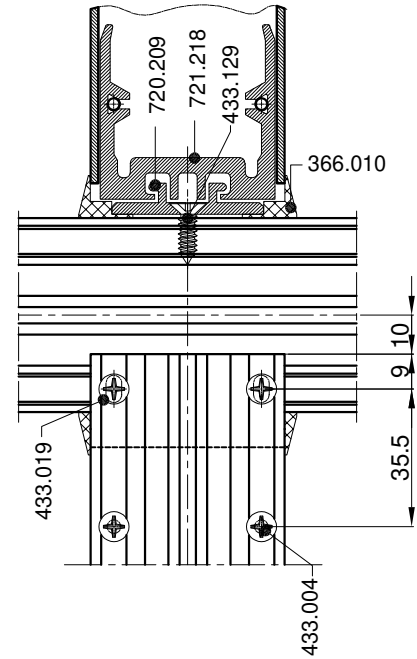
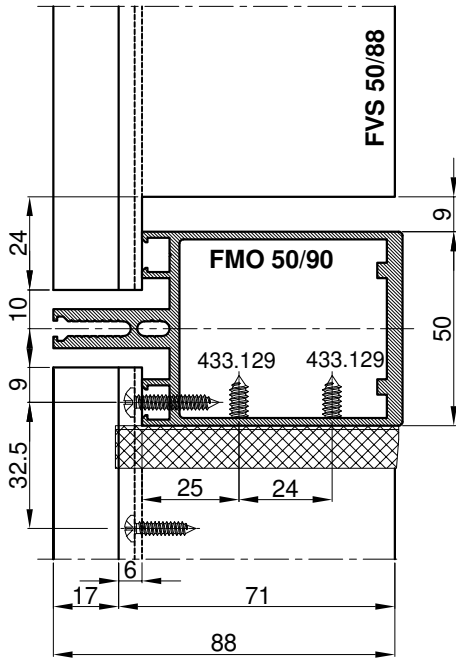
PRESJEK A-A
CROSS SECTION A-A



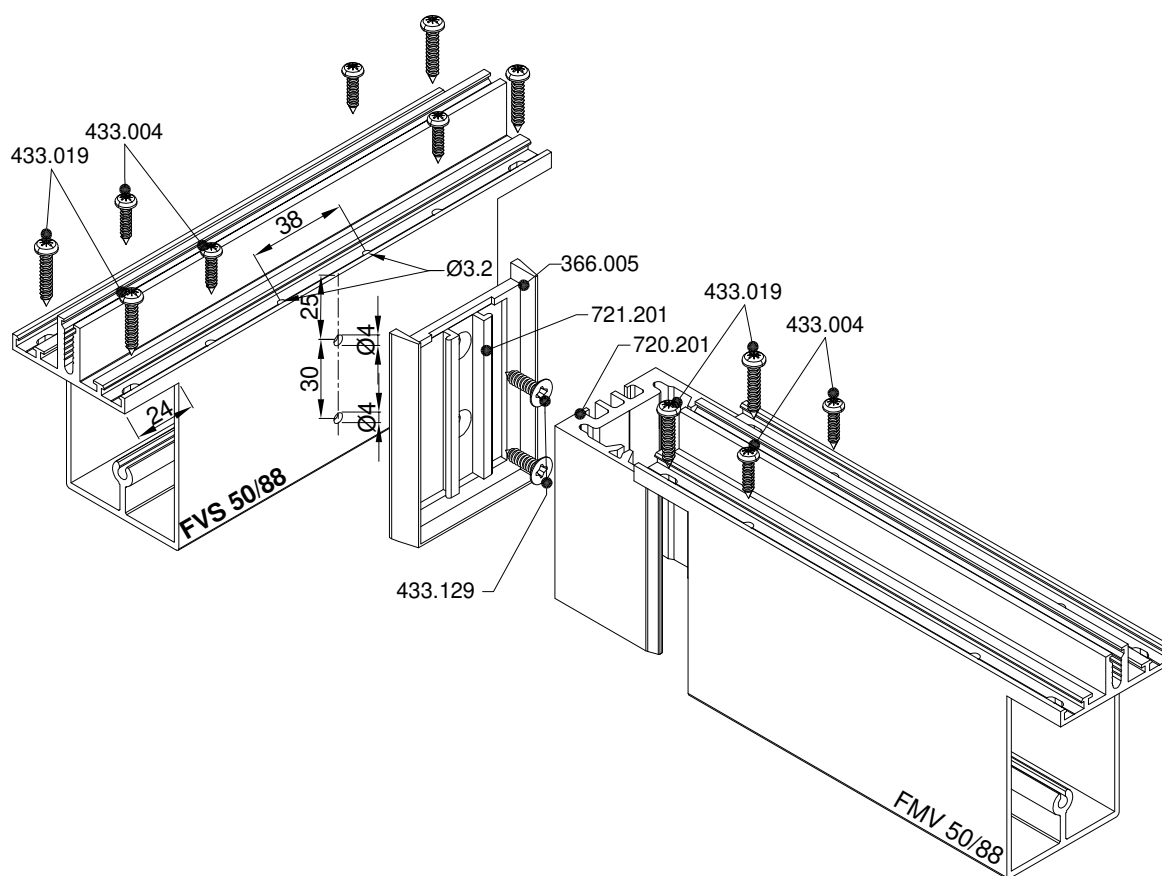
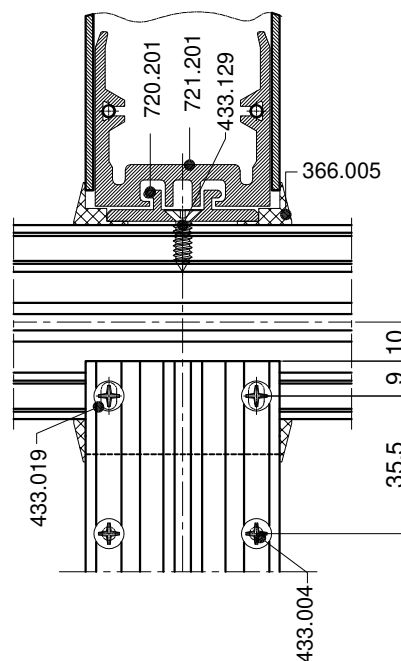
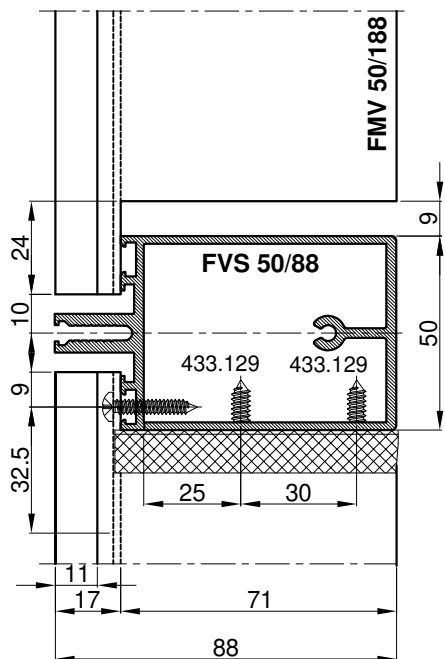
366.009
gumeni odstojnik s obrubom
za pom. vodoravnicu FVS 50/118
366.009
rimmed dilatation rubber
for aux. transom FVS 50/118



- Obrada okomice FMO 50/90 za prihvat pomoćne vodoravnice FVS 50/88 treći nivo fasade (gumeni odstopnik s obrubom)
- Processing of mullion FMO 50/90 for auxiliary transom FVS 50/88 third level (rimmed dilatation rubber)

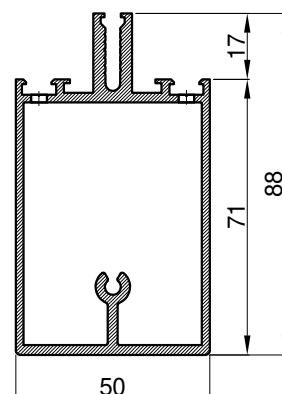
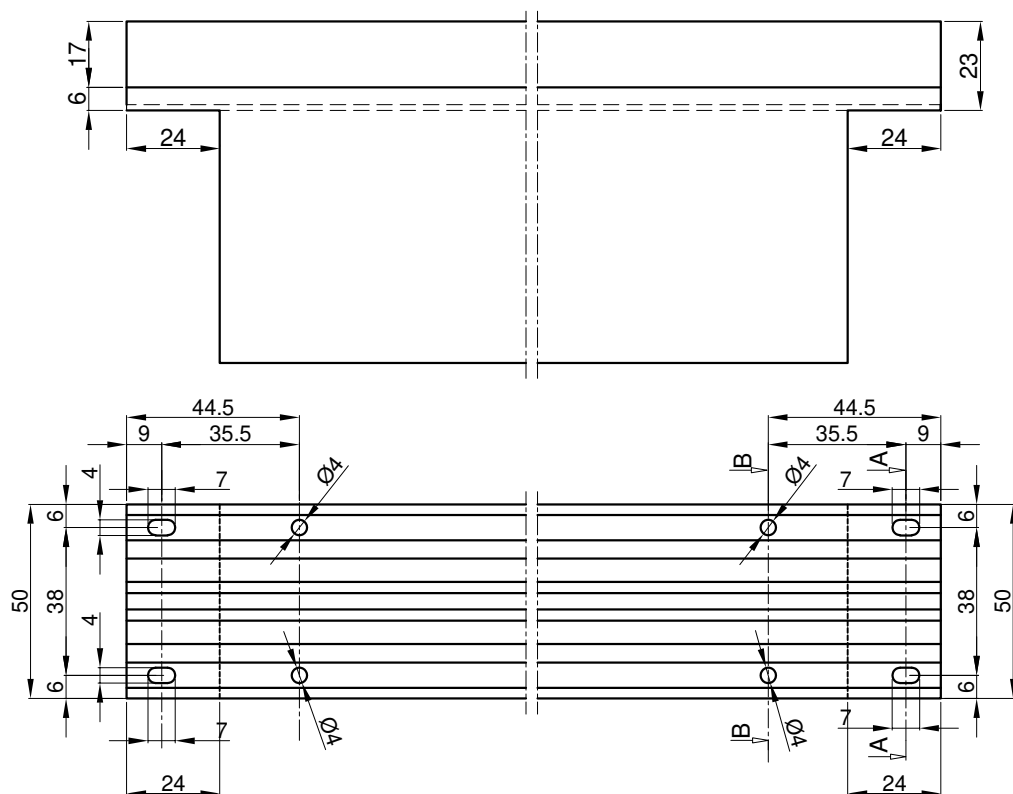


- Obrada pomoćne vodoravnice **FVS 50/88** za okomicu **FMO 50/90** (gumeni odstoynik s obrubom) i vodoravnicu **FMV 50/118** (gumeni odstoynik s obrubom) treći nivo
- Processing of auxiliary transom **FVS 50/88** for mullion **FMO 50/90** (rimmed dilatation rubber) and transom **FMV 50/118** (rimmed dilatation rubber) third level

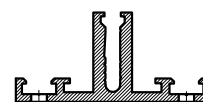


Obrada vodoravnice **FMV 50/88** kao na stranici 501.11.404
Processing of mullion **FMV 50/88** as on page 501.11.404

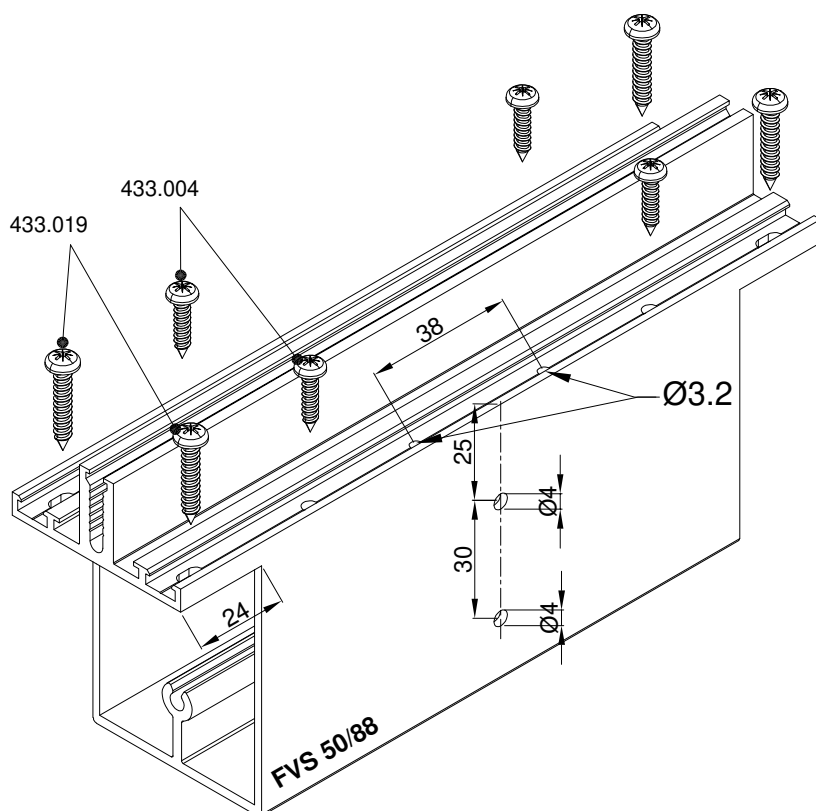
- Obrada pomoćne vodoravnice **FVS 50/88** za okomicu **FMO 50/90** (gumeni odstojnik s obrubom) i vodoravnicu **FMV 50/88** (gumeni odstojnik s obrubom) treći nivo
- Processing of auxiliary transom **FVS 50/88** for mullion **FMO 50/90** (rimmed dilatation rubber) and transom **FMV 50/88** (rimmed dilatation rubber) third level



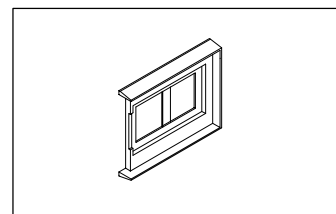
PRESJEK B-B
CROSS SECTION B-B



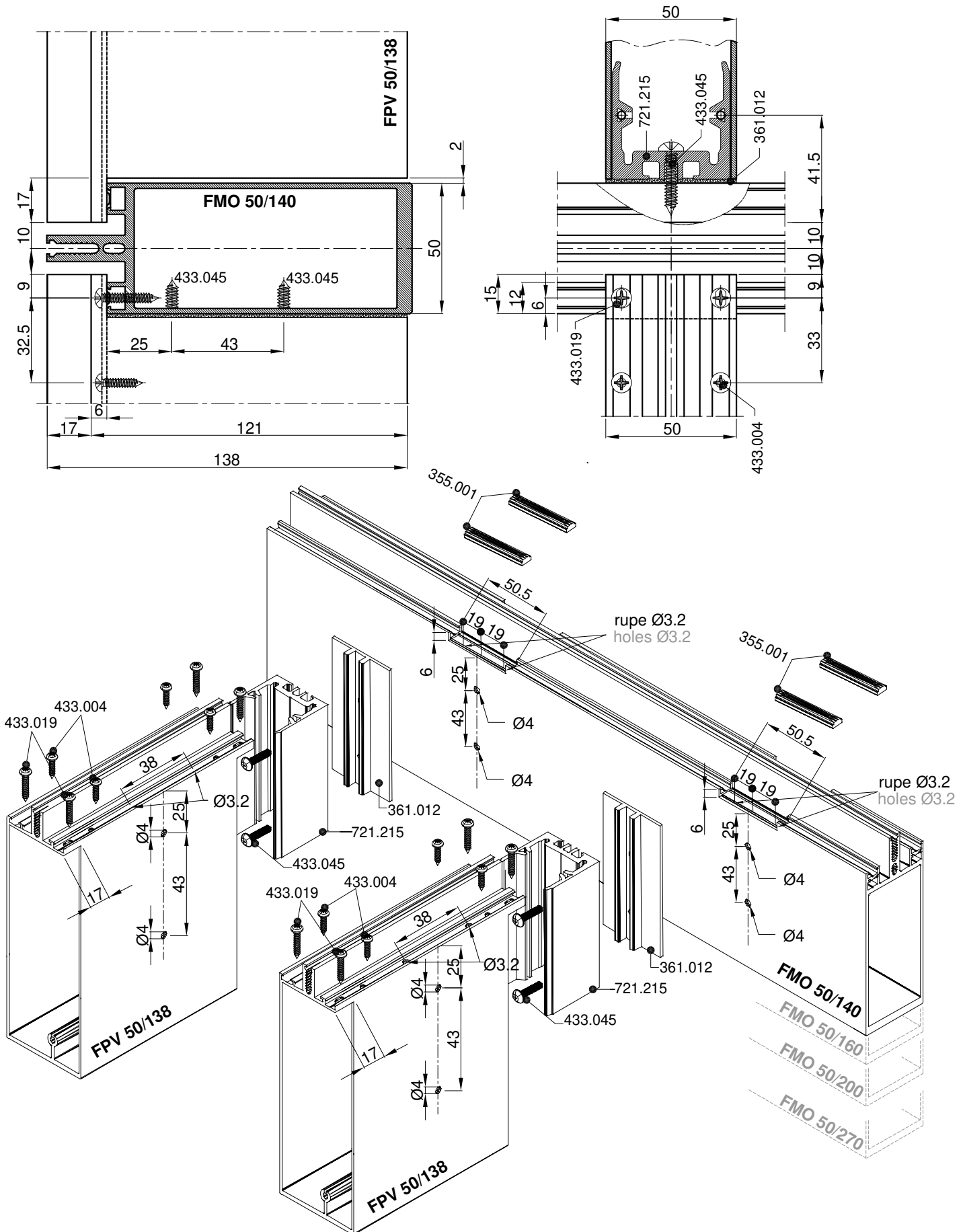
PRESJEK A-A
CROSS SECTION A-A



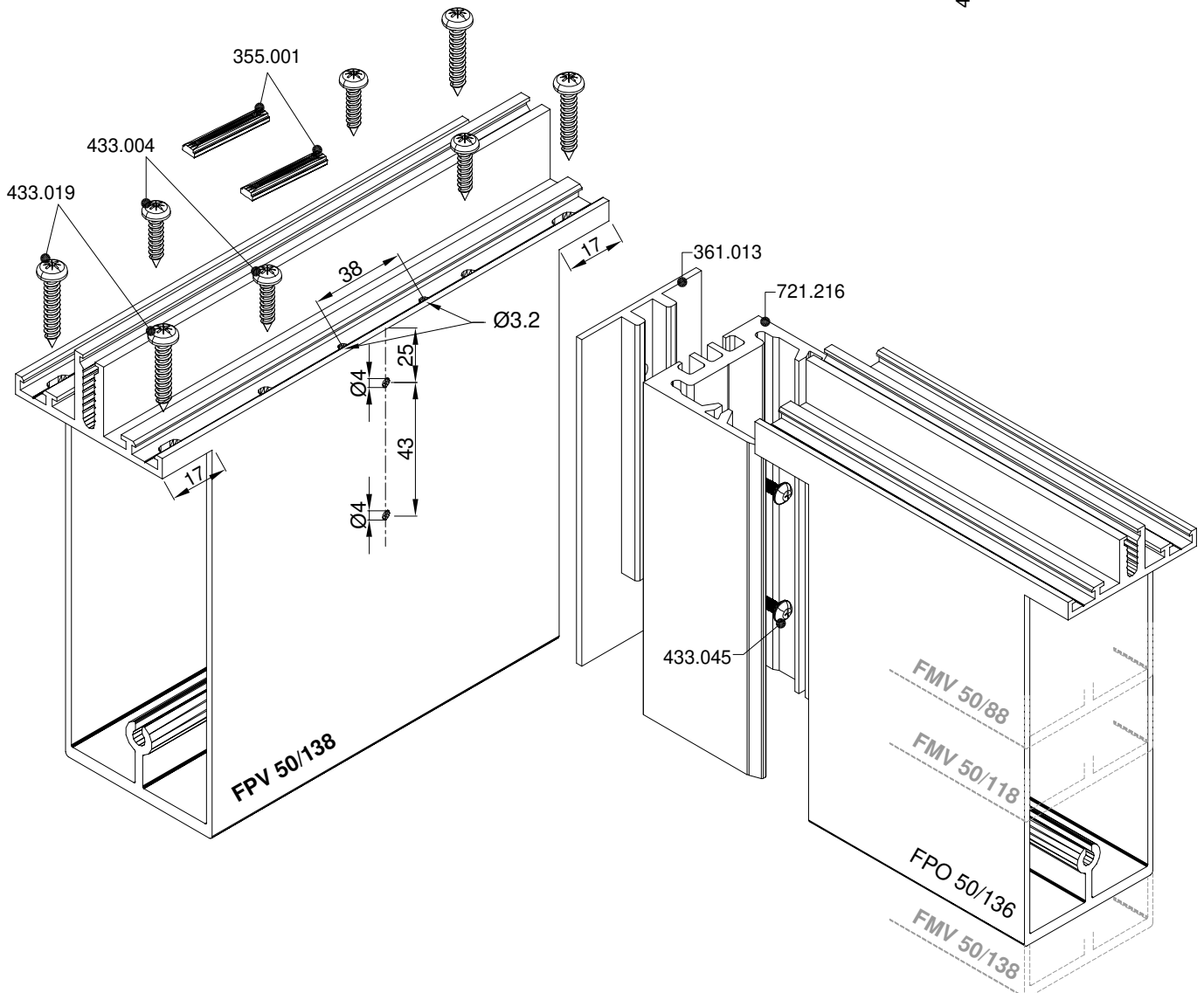
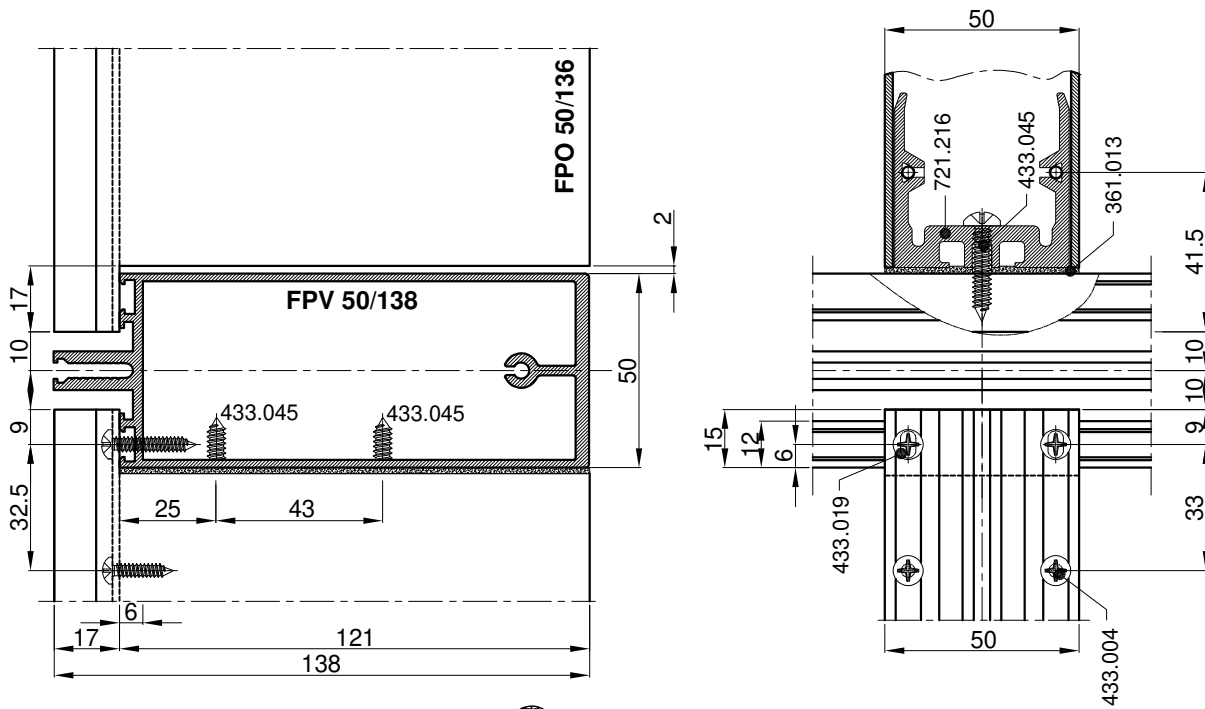
gumeni odstojnik s obrubom
za pom. vodoravnicu FVS 50/88
366.010
rimmed dilatation rubber
for aux. transom FVS 50/88



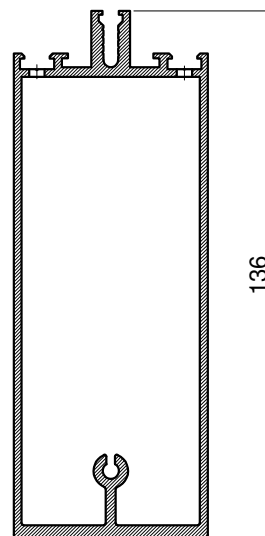
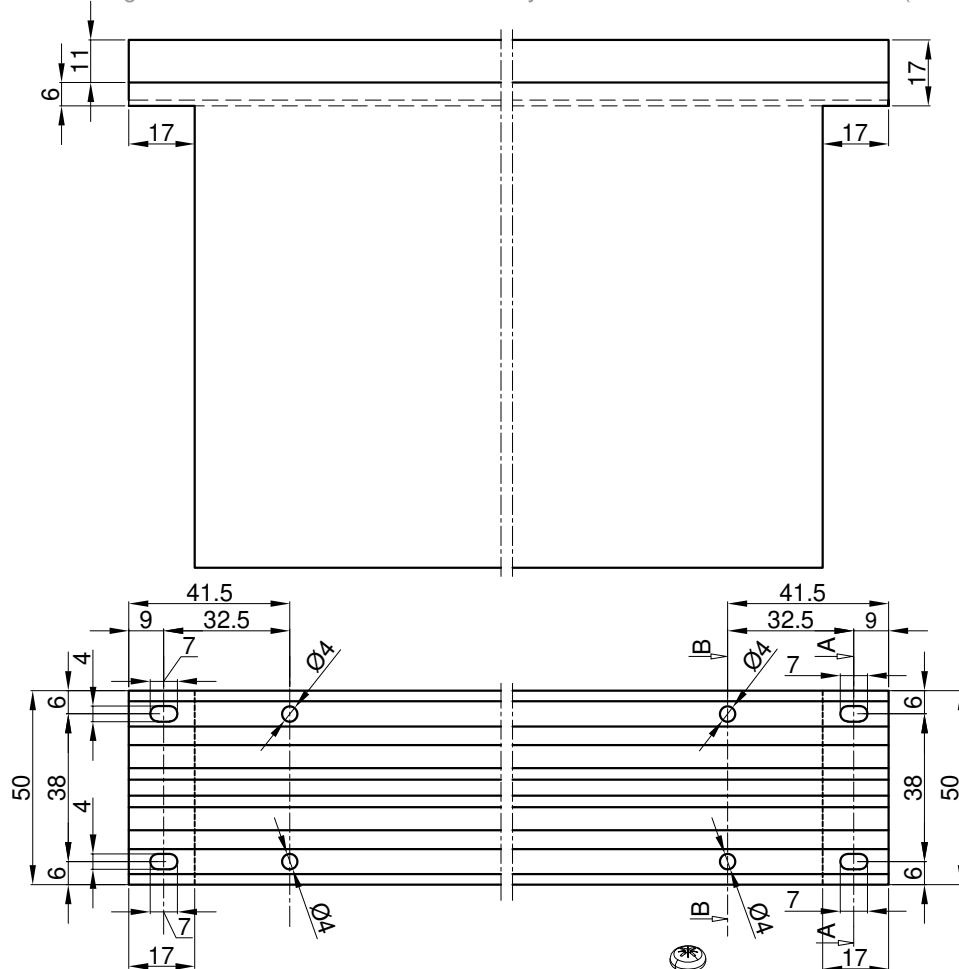
- Obrada okomice FMO 50/140 za prihvat pomoćne vodoravnice FPV 50/138 treći nivo fasade (ravni gumeni odstoynik)
- Processing of mullion FMO 50/140 for auxiliary transom FPV 50/138 third level (flat dilatation rubber)



- Obrada pomoćne vodoravnice **FPV 50/138** za okomicu **FMO 50/140** (ravni gumeni odstoynik) i vodoravnicu **FPO 50/136** (ravni gumeni odstoynik) treći nivo
- Processing of auxiliary transom **FPV 50/138** for mullion **FMO 50/140** (flat dilatation rubber) and transom **FPO 50/136** (flat dilataion rubber) third level



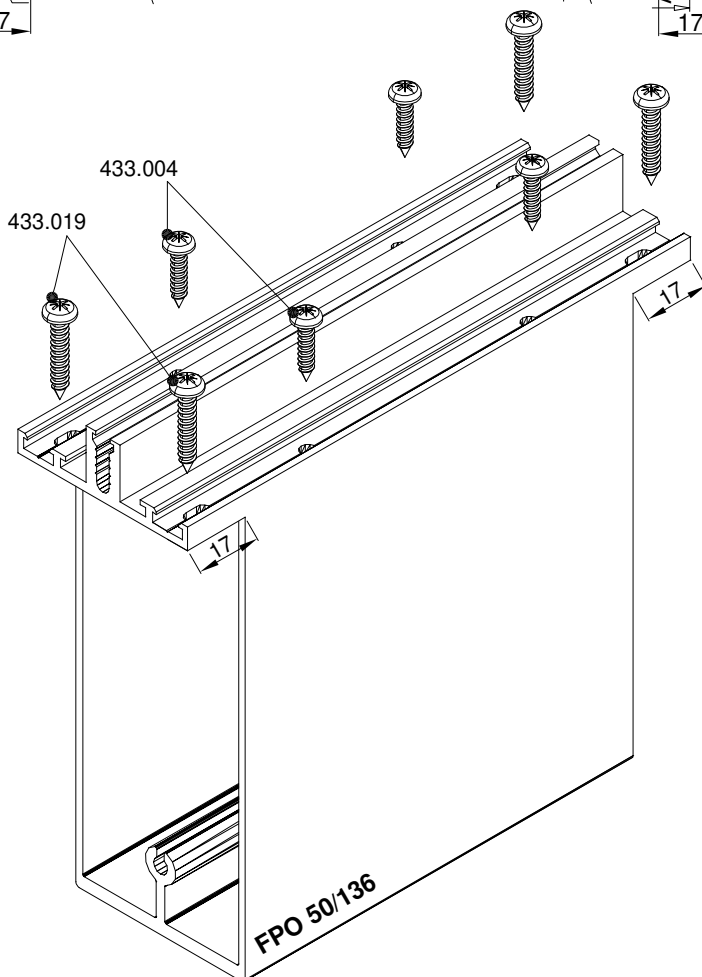
- Obrada vodoravnice **FPO 50/136** za pomoćnu vodoravnicu **FPV 50/138** treći nivo (ravni gumeni odstoynik)
- Processing of transom **FPO 50/136** for auxiliary transom **FPV 50/138** third level (flat dilatation rubber)



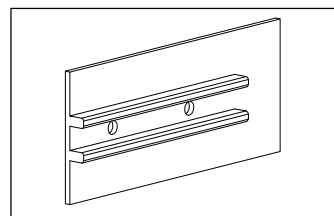
PRESJEK B-B
CROSS SECTION B-B



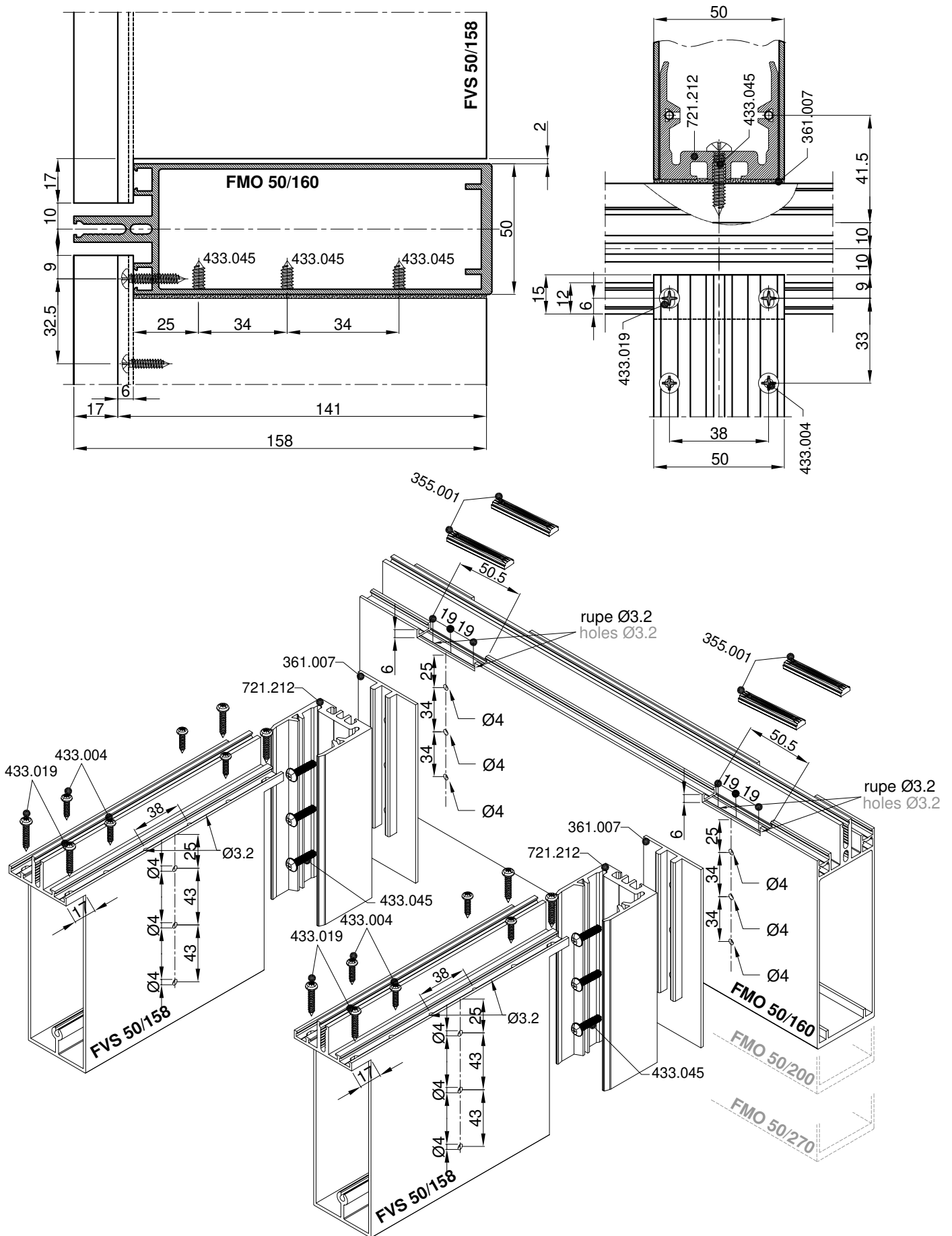
PRESJEK A-A
CROSS SECTION A-A



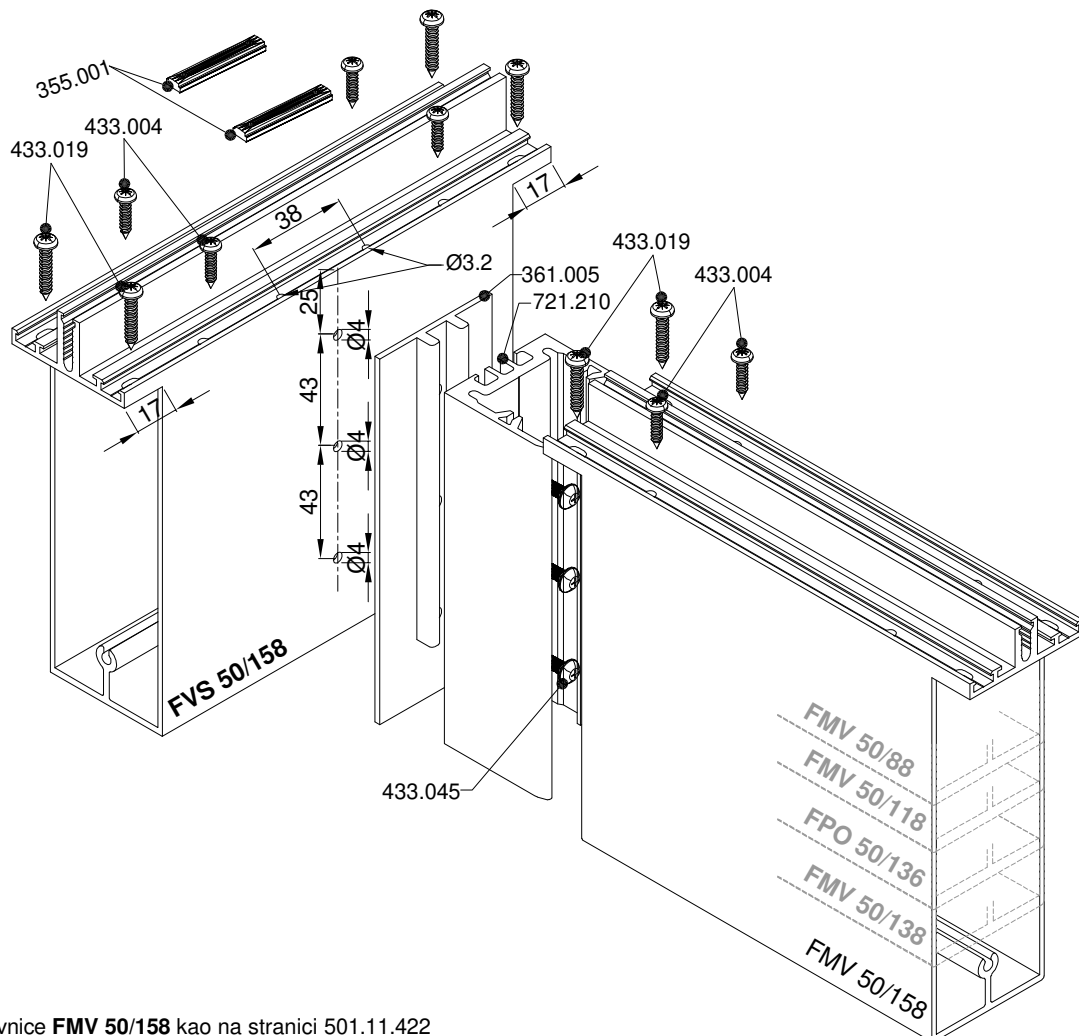
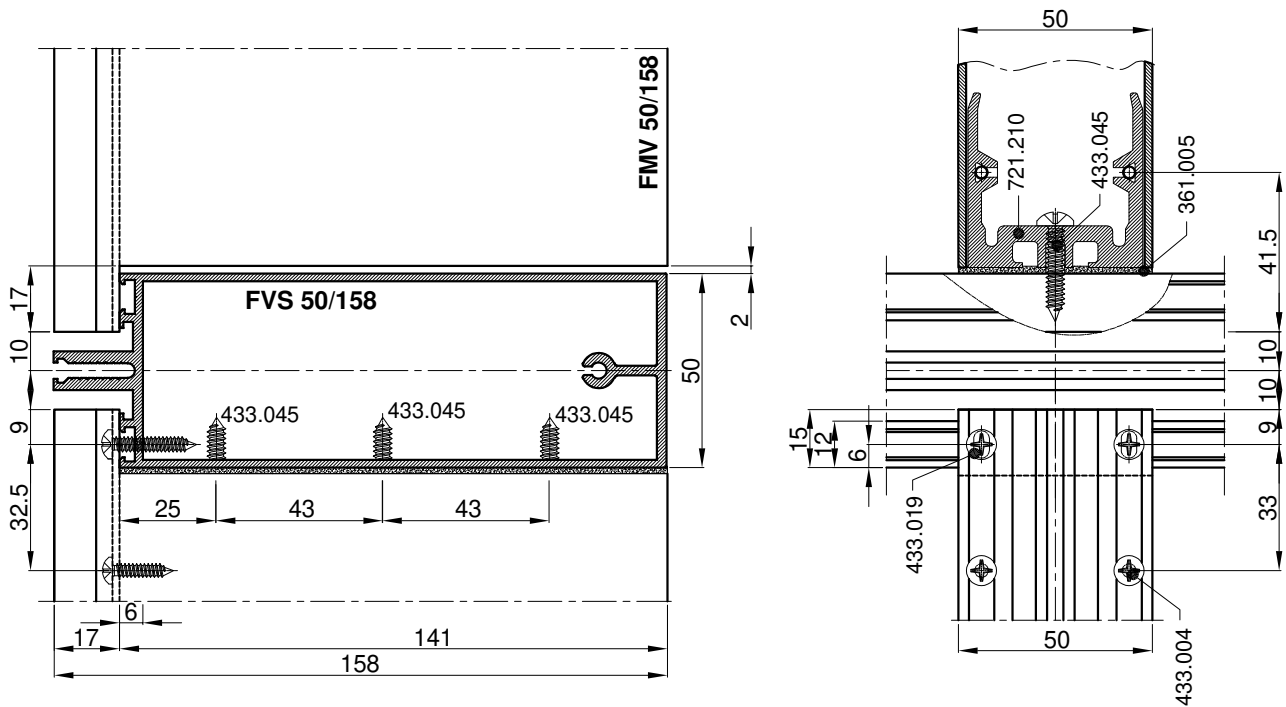
361.013
ravni gumeni odstoynik
za vodoravnicu FPO 50/136
361.013
flat dilatation rubber
for transom FPO 50/136



- Obrada okomice FMO 50/160 za prihvat pomoćne vodoravnice FVS 50/158 treći nivo fasade (ravni gumeni odstoynik)
- Processing of mullion FMO 50/160 for auxiliary transom FVS 50/158 third level (flat dilatation rubber)

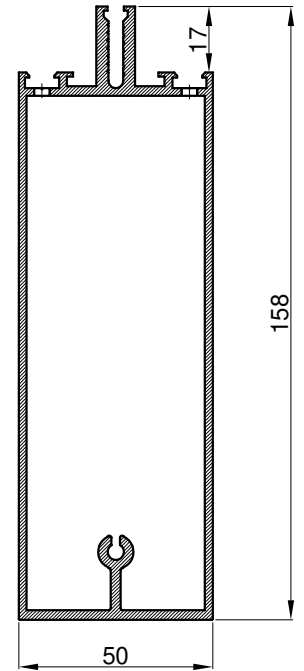
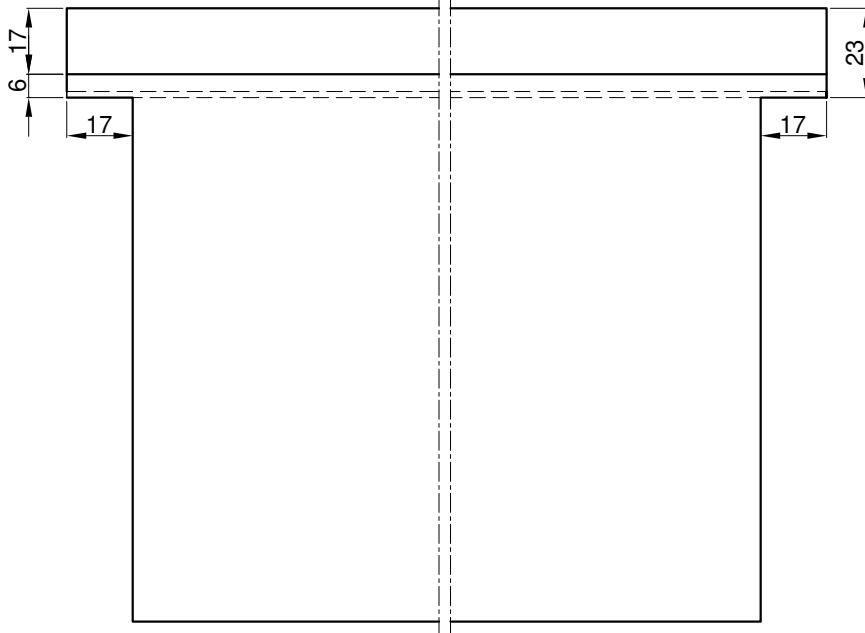


- Obrada pomoćne vodoravnice **FVS 50/158** za okomicu **FMO 50/160** (ravni gumeni odstoynik) i vodoravnicu **FMV 50/158** (ravni gumeni odstoynik) treći nivo
- Processing of auxiliary transom **FVS 50/158** for mullion **FMO 50/160** (flat dilatation rubber) and transom **FMV 50/158** (flat dilataion rubber) third level



Obrada vodoravnice **FMV 50/158** kao na stranici 501.11.422
Processing of mullion **FMV 50/158** as on page 501.11.422

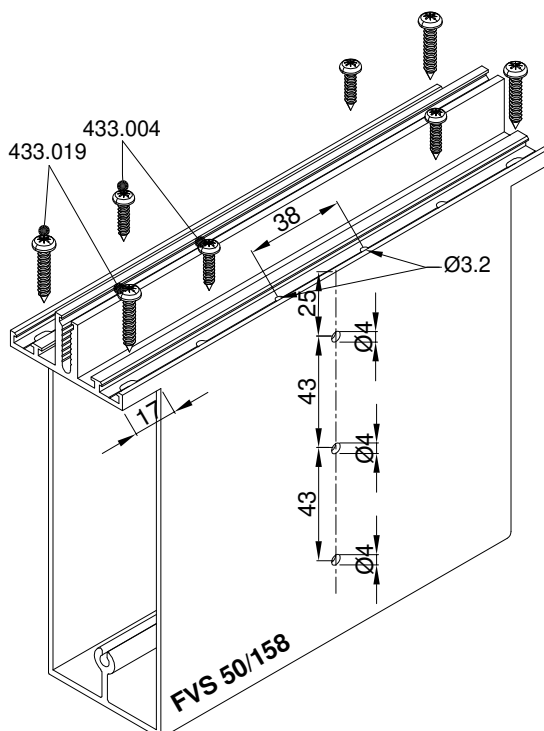
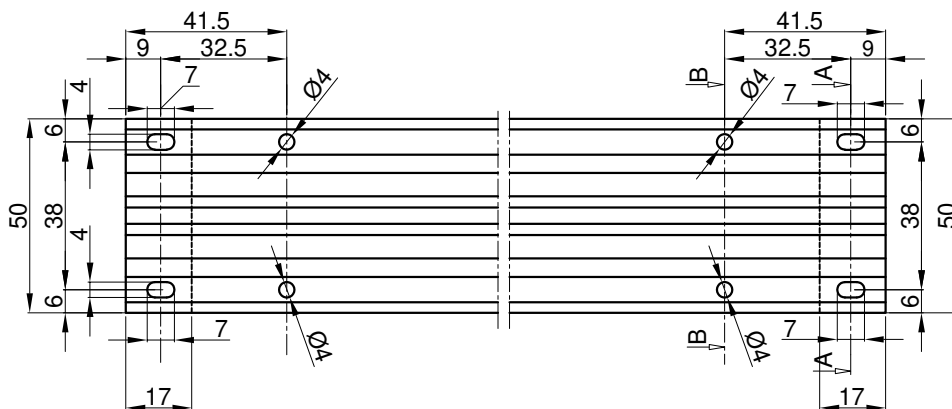
- Obrada pomoćne vodoravnice **FVS 50/158** za okomicu **FMO 50/160** (ravni gumeni odstožnik) i vodoravnicu **FMV 50/158** (ravni gumeni odstožnik) treći nivo
- Processing of auxiliary transom **FVS 50/158** for mullion **FMO 50/160** (flat dilatation rubber) and transom **FMV 50/158** (flat dilatation rubber) third level



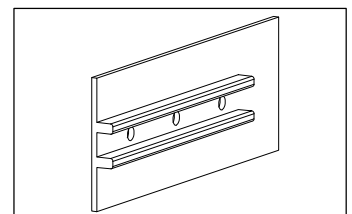
PRESJEK B-B
CROSS SECTION B-B



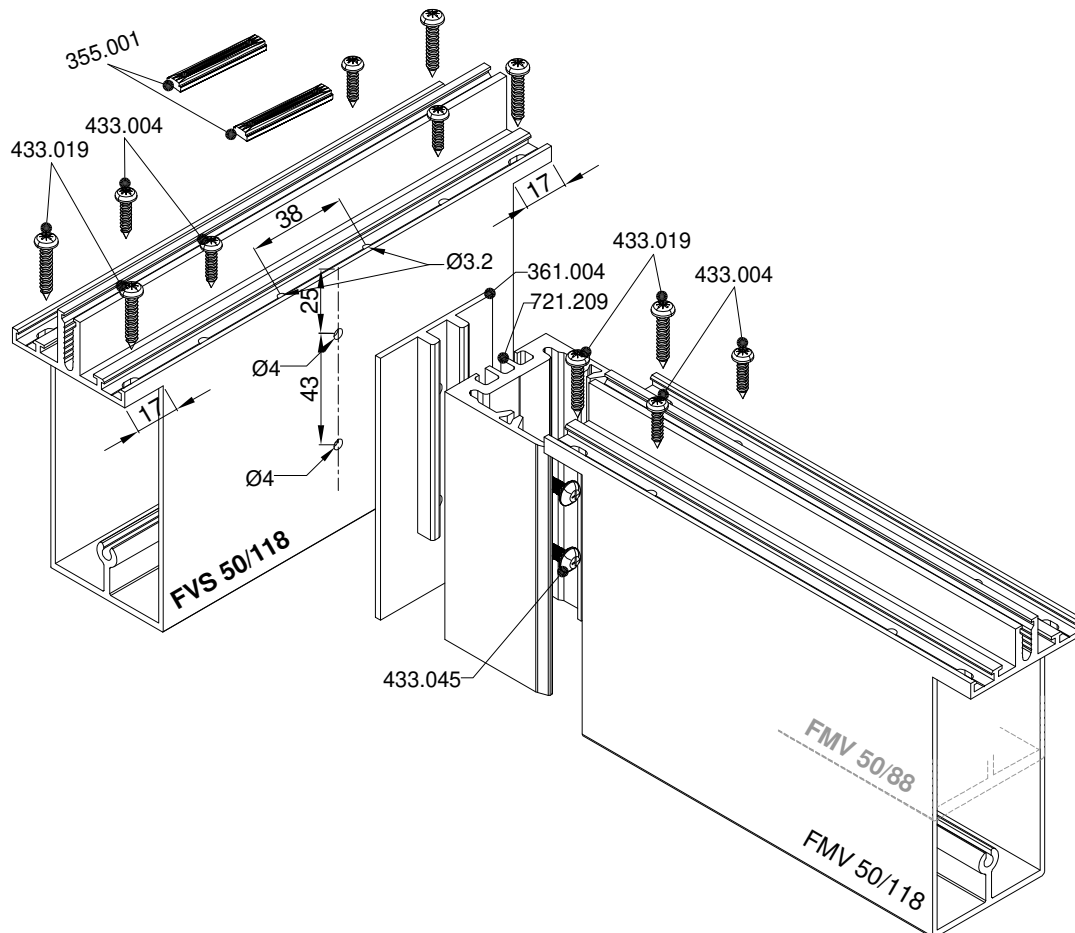
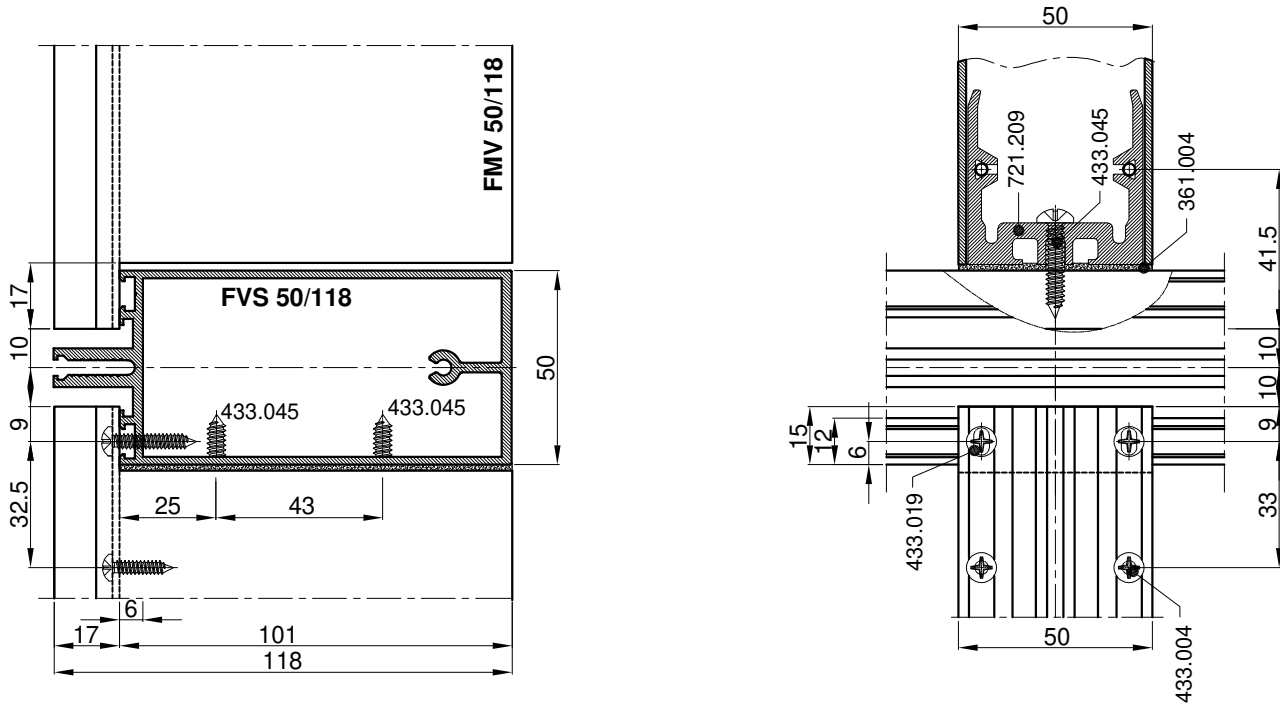
PRESJEK A-A
CROSS SECTION A-A



- 361.007
ravni gumeni odstožnik
za pom. vodoravnicu FVS 50/158
- 361.007
flat dilatation rubber
for aux. transom FVS 50/158

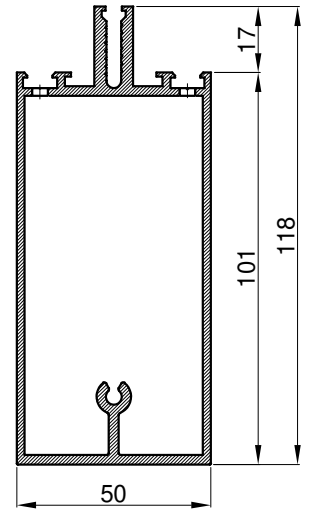
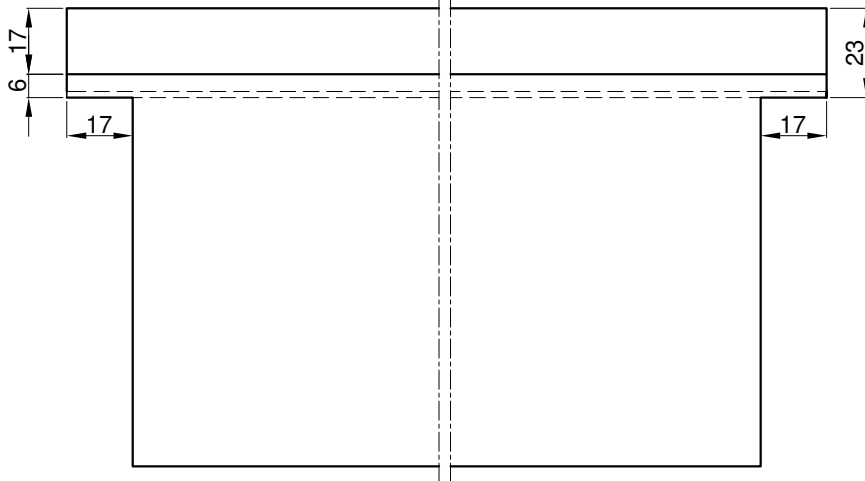


- Obrada pomoćne vodoravnice **FVS 50/118** za okomicu **FMO 50/120** (ravni gumeni odstoynik) i vodoravnicu **FMV 50/118** (ravni gumeni odstoynik) treći nivo
- Processing of auxiliary transom **FVS 50/118** for mullion **FMO 50/120** (flat dilatation rubber) and transom **FMV 50/118** (flat dilataion rubber) third level

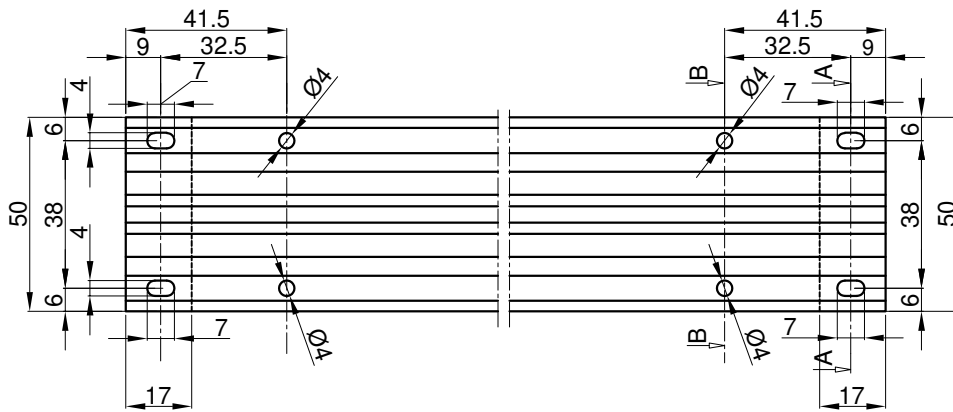


Obrada vodoravnice **FMV 50/118** kao na stranici 501.11.424
Processing of mullion **FMV 50/118** as on page 501.11.424

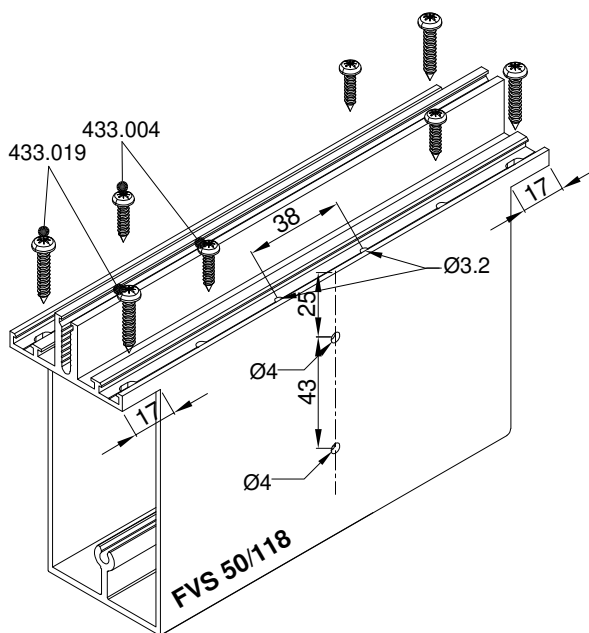
- Obrada pomoćne vodoravnice **FVS 50/118** za okomicu **FMO 50/120** (ravni gumeni odstožnik) i vodoravnicu **FMV 50/118** (ravni gumeni odstožnik) treći nivo
- Processing of auxiliary transom **FVS 50/118** for mullion **FMO 50/120** (flat dilatation rubber) and transom **FMV 50/118** (flat dilatation rubber) third level



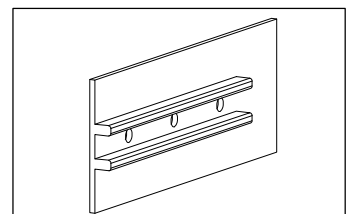
PRESJEK B-B
CROSS SECTION B-B



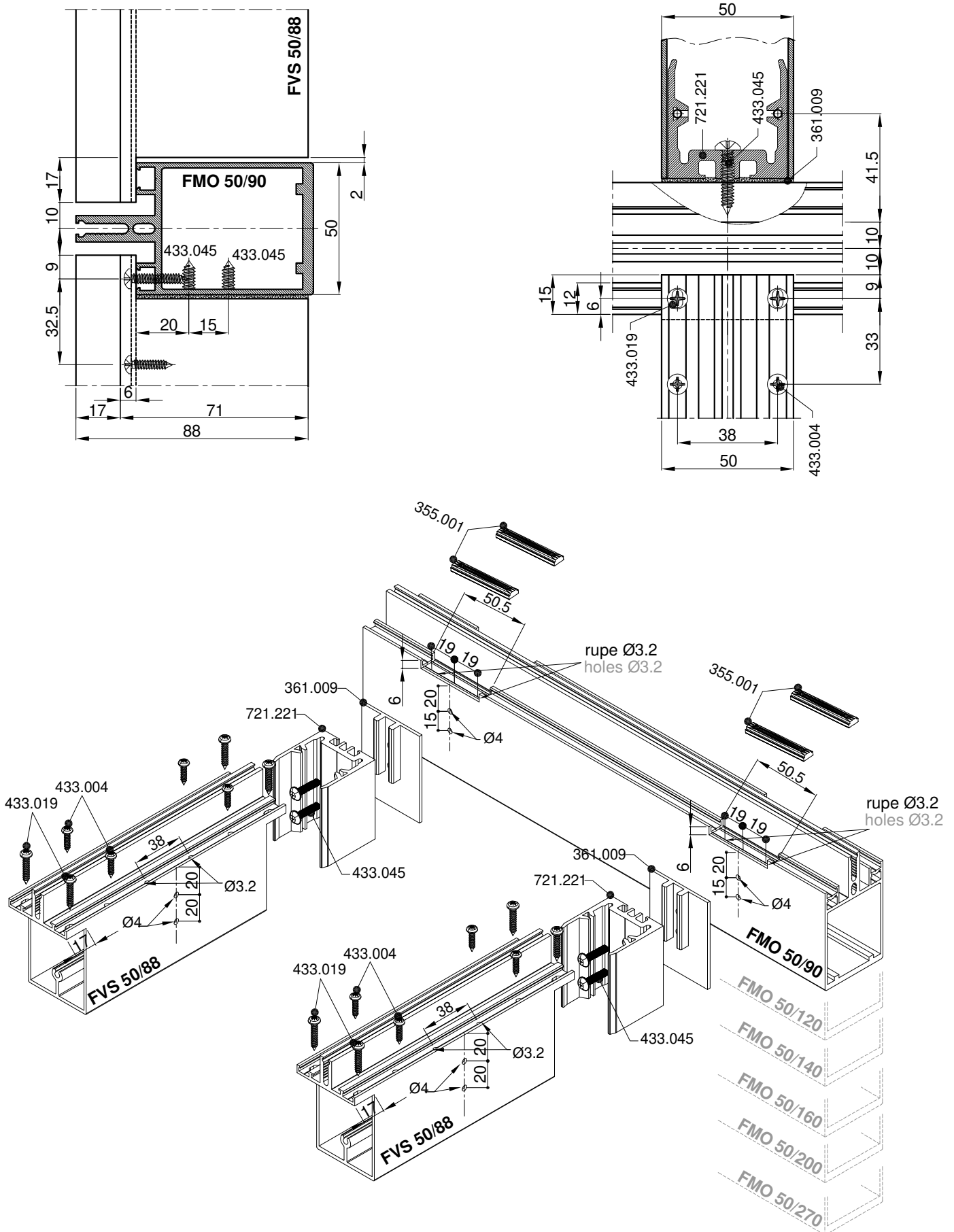
PRESJEK A-A
CROSS SECTION A-A



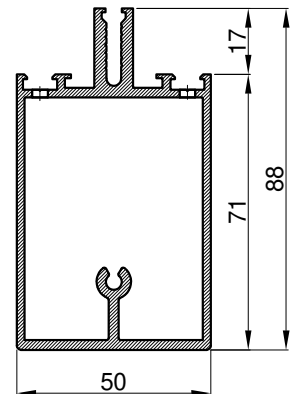
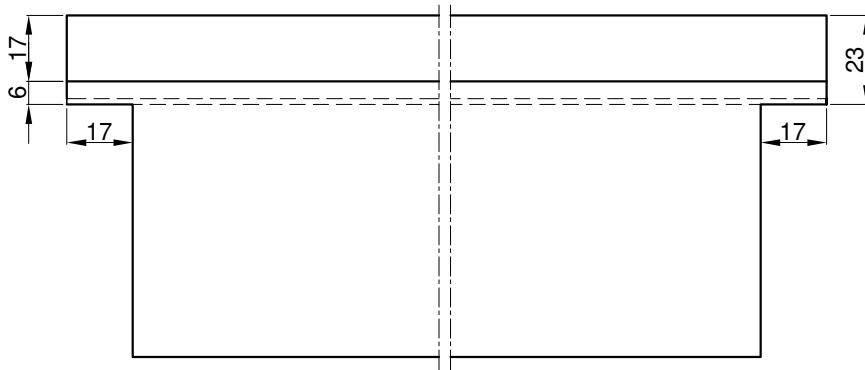
- 361.008
ravni gumeni odstožnik
za pom. vodoravnicu FVS 50/118
- 361.008
flat dilatation rubber
for aux. transom FVS 50/118



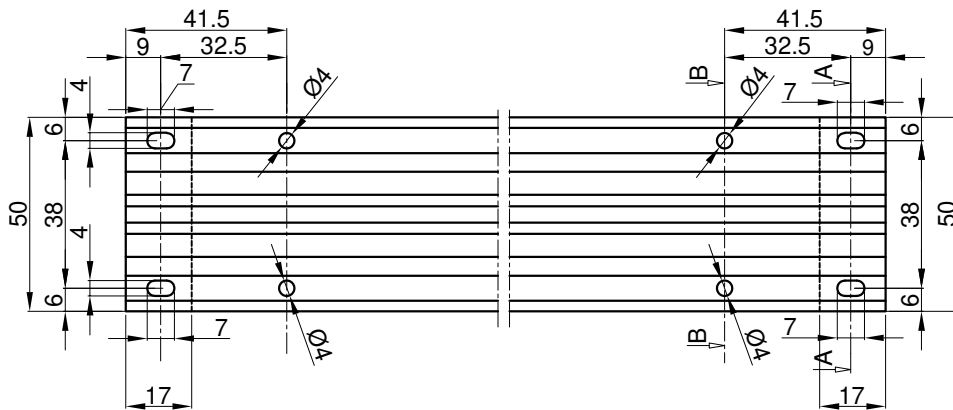
- Obrada okomice FMO 50/90 za prihvat pomoćne vodoravnice FVS 50/88 treći nivo fasade (ravni gumeni odstožnik)
- Processing of mullion FMO 50/90 for auxiliary transom FVS 50/88 third level (flat dilatation rubber)



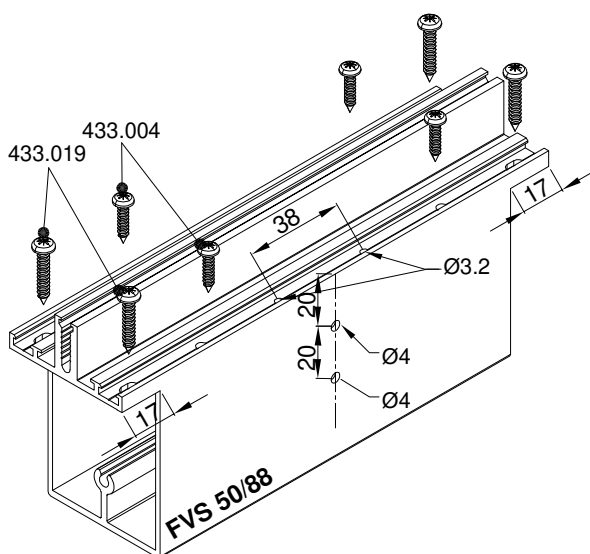
- Obrada pomoćne vodoravnice **FVS 50/88** za okomicu **FMO 50/90** (ravni gumeni odstožnik) i vodoravnicu **FMV 50/88** (ravni gumeni odstožnik) treći nivo
- Processing of auxiliary transom **FVS 50/88** for mullion **FMO 50/90** (flat dilatation rubber) and transom **FMV 50/88** (flat dilatation rubber) third level



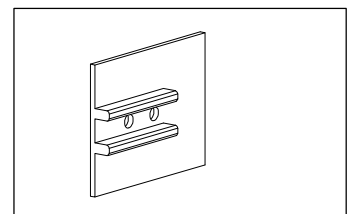
PRESJEK B-B
CROSS SECTION B-B



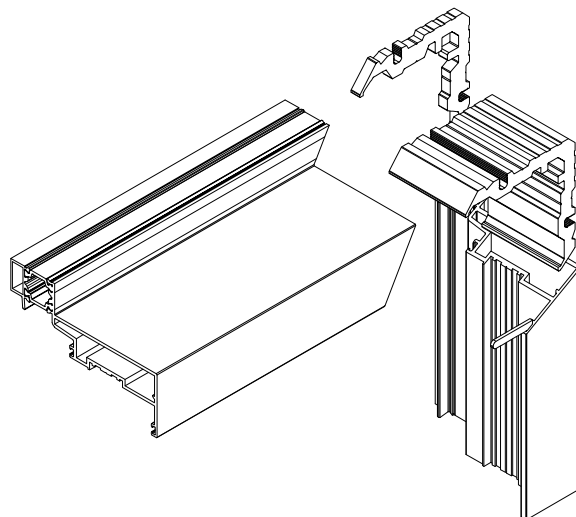
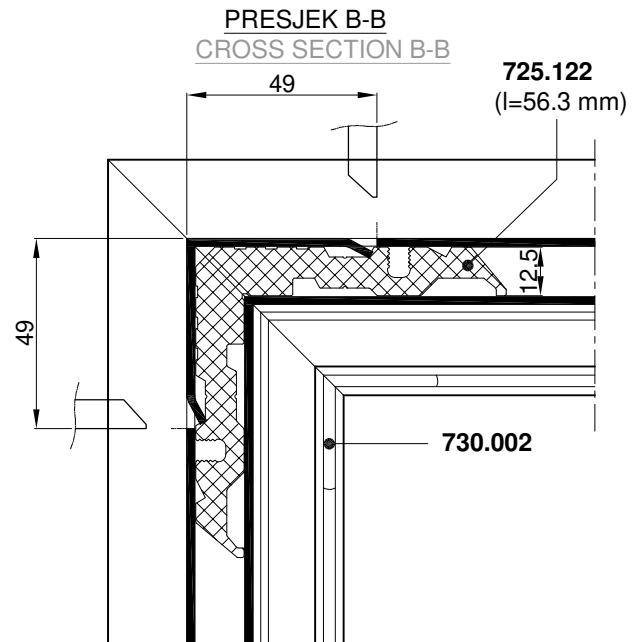
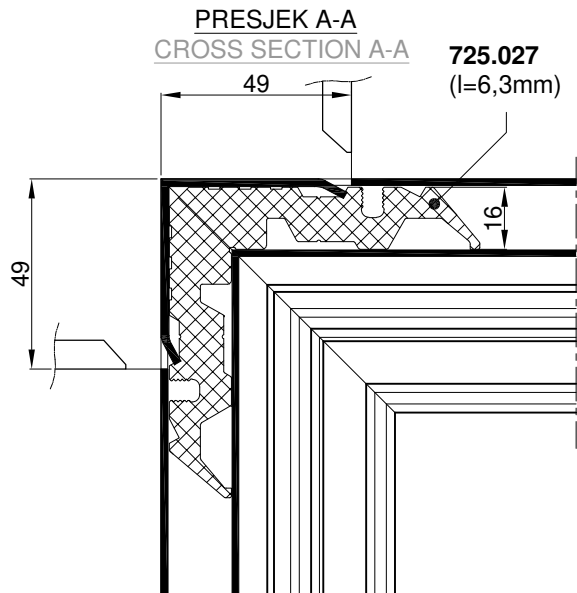
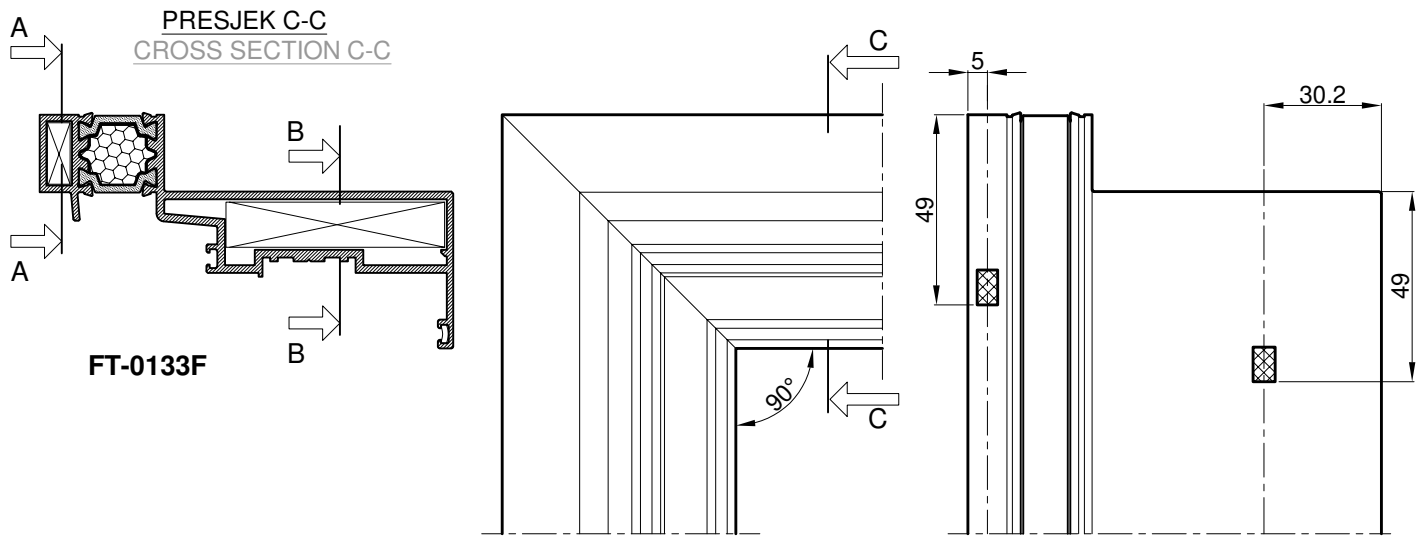
PRESJEK A-A
CROSS SECTION A-A



- 361.009
ravni gumeni odstožnik
za pom. vodoravnicu FVS 50/888
- 361.009
flat dilatation rubber
for aux. transom FVS 50/88

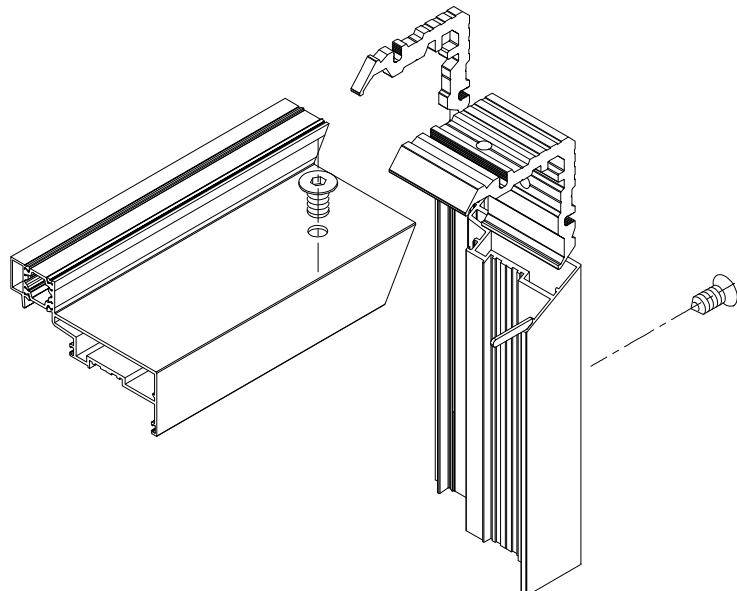
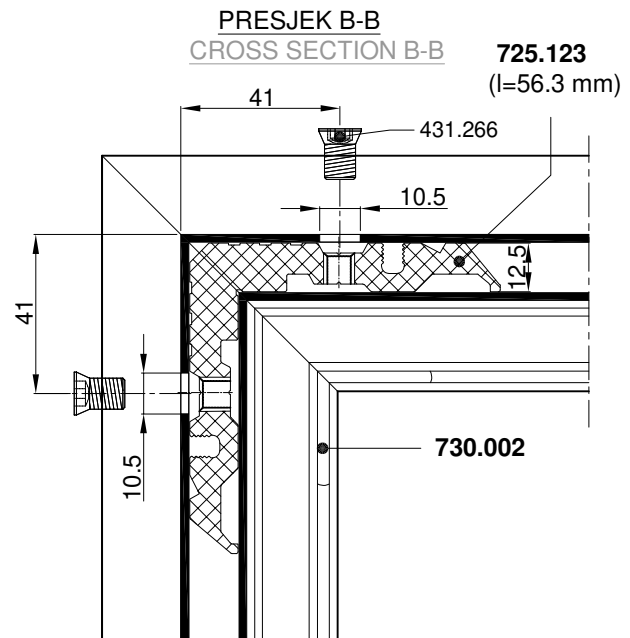
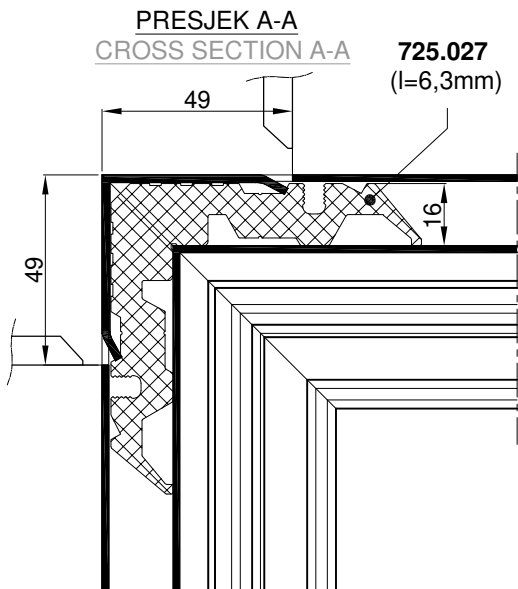
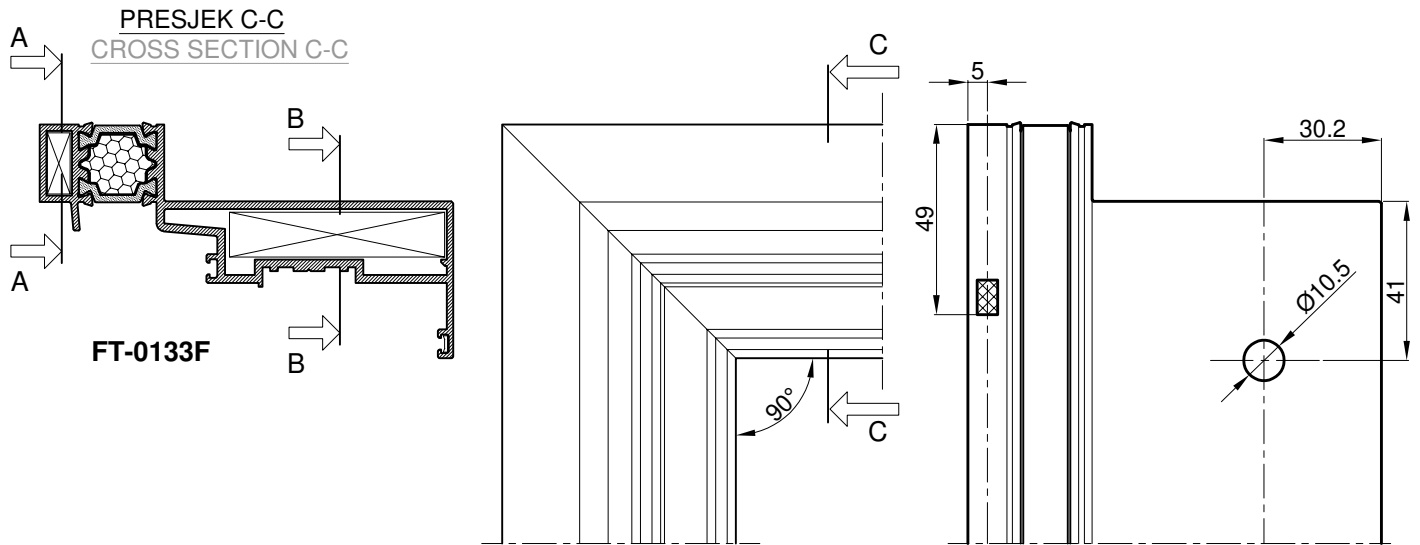


- UPREŠAVANJE STJENKE PROFILA U KUTNIK
- ALUMINIUM PROFILE CORNER CRIMPING



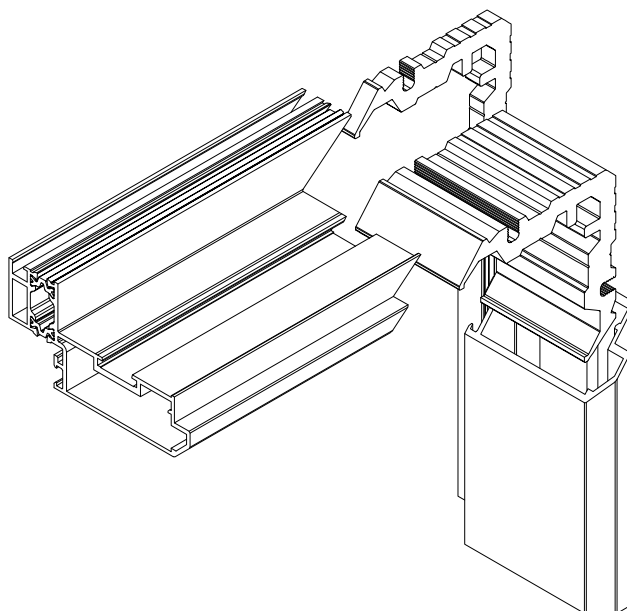
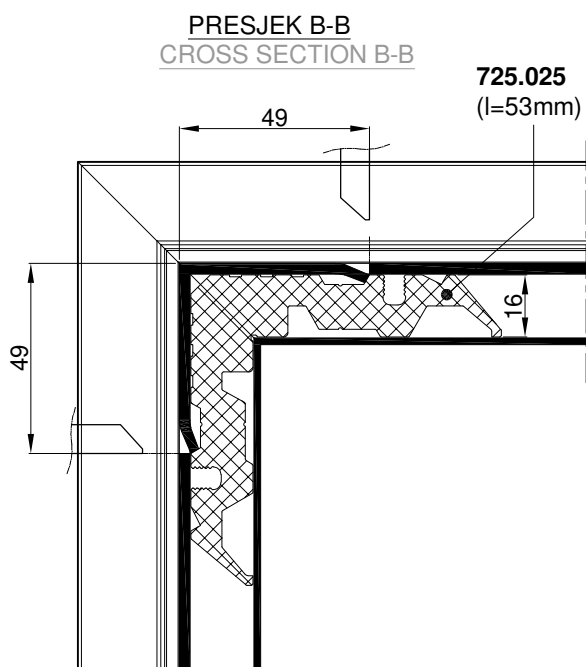
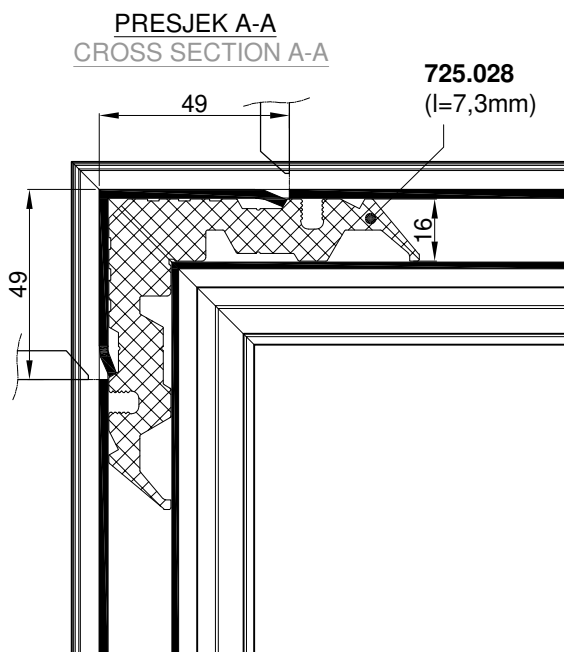
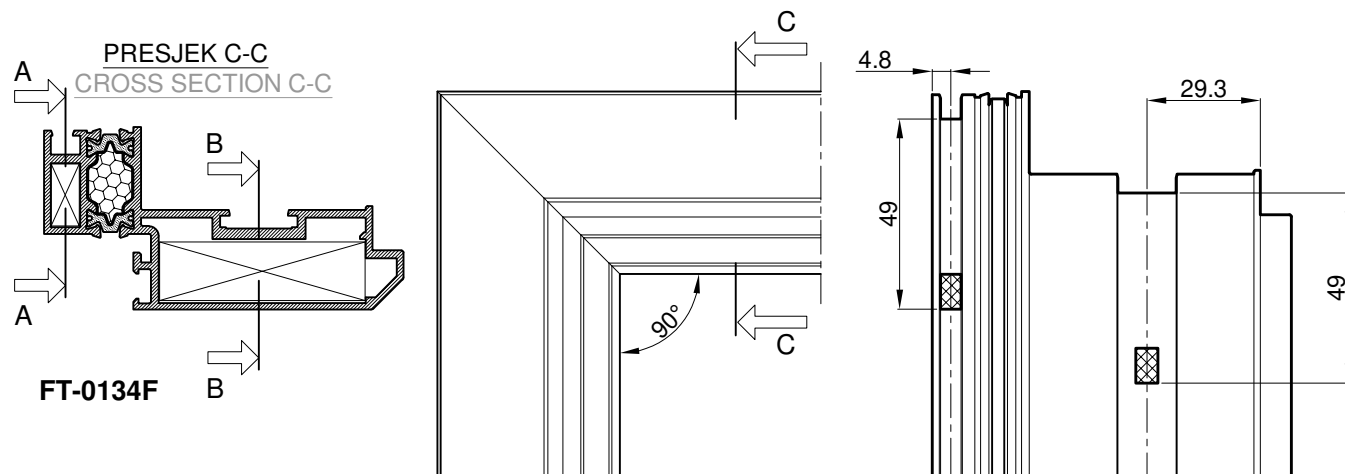
- | |
|----------------------------|
| 1. STROJNO UPREŠAVANJE |
| 2. RUČNO UPREŠAVANJE |
| 1. MACHINE CORNER CRIMPING |
| 2. MANUAL CORNER CRIMPING |

- VIJČANA VEZA PROFILA + UTISKIVANJE STJENKE U KUTNIK
- ALUMINIUM PROFILE SCREW CONNECTION AND CORNER CRIMPING



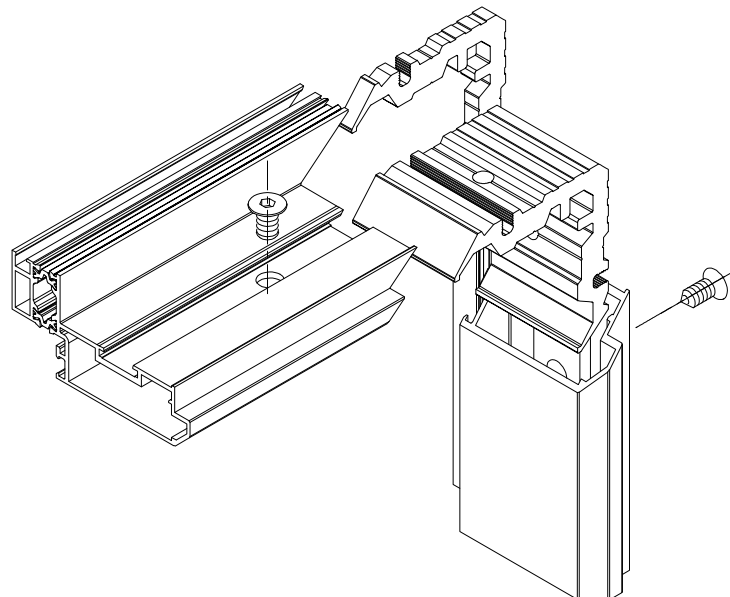
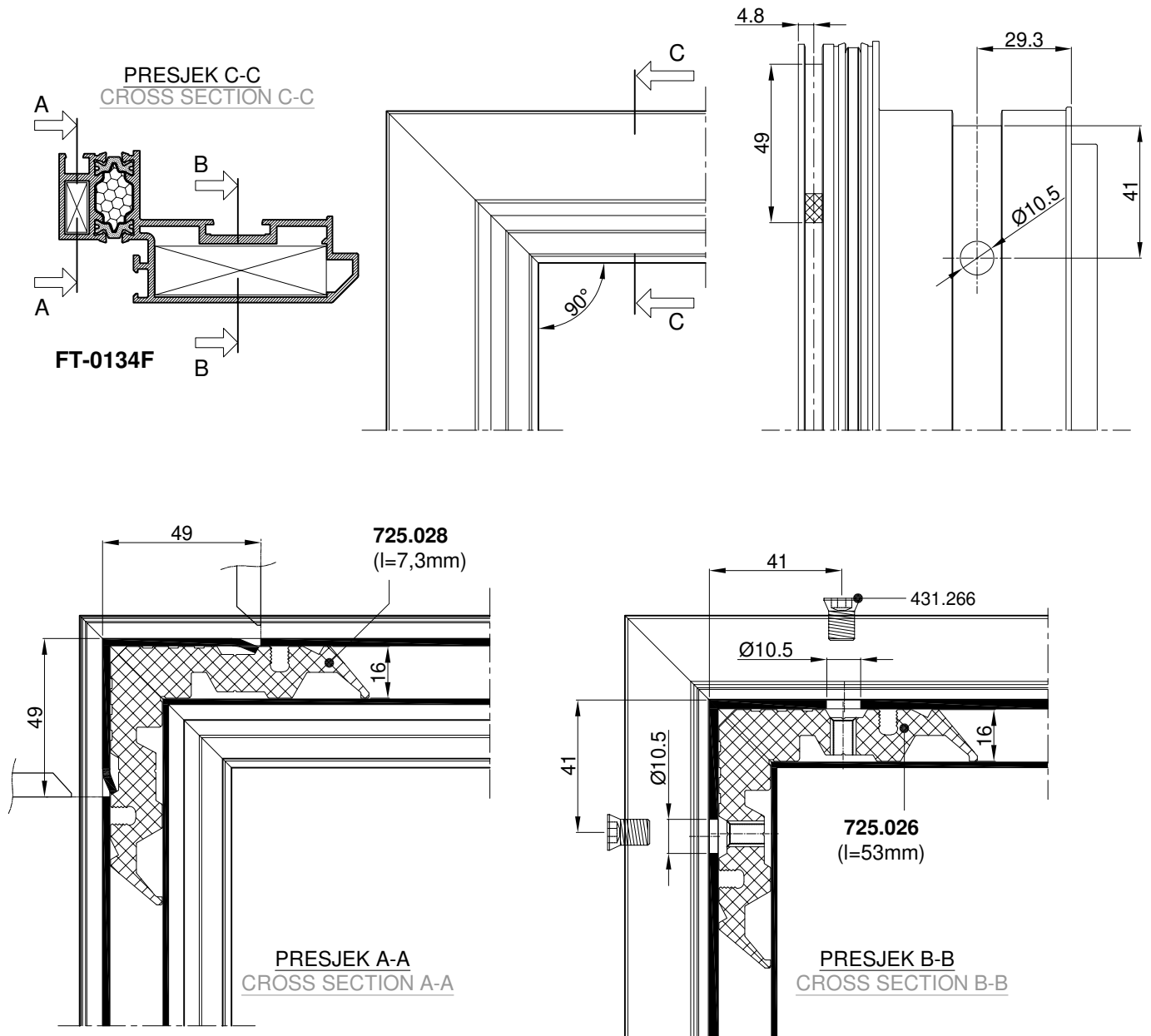
- | | |
|----|-------------------------|
| 1. | STROJNO UPREŠAVANJE |
| 2. | RUČNO UPREŠAVANJE |
| 3. | VIJČANA VEZA |
| 1. | MACHINE CORNER CRIMPING |
| 2. | MANUAL CORNER CRIMPING |
| 3. | SCREW CONNECTION |

- UPREŠAVANJE STJENKE PROFILA U KUTNIK
- ALUMINIUM PROFILE CORNER CRIMPING



- | |
|--|
| <ol style="list-style-type: none"> 1. STROJNO UPREŠAVANJE 2. RUČNO UPREŠAVANJE <ol style="list-style-type: none"> 1. MACHINE CORNER CRIMPING 2. MANUAL CORNER CRIMPING |
|--|

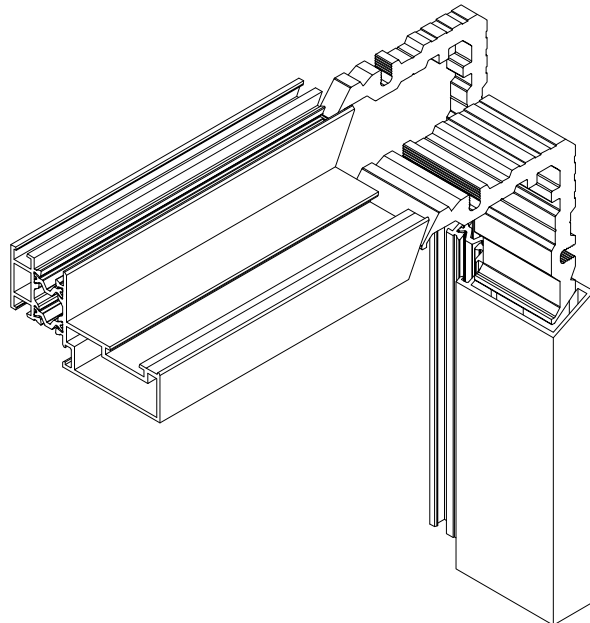
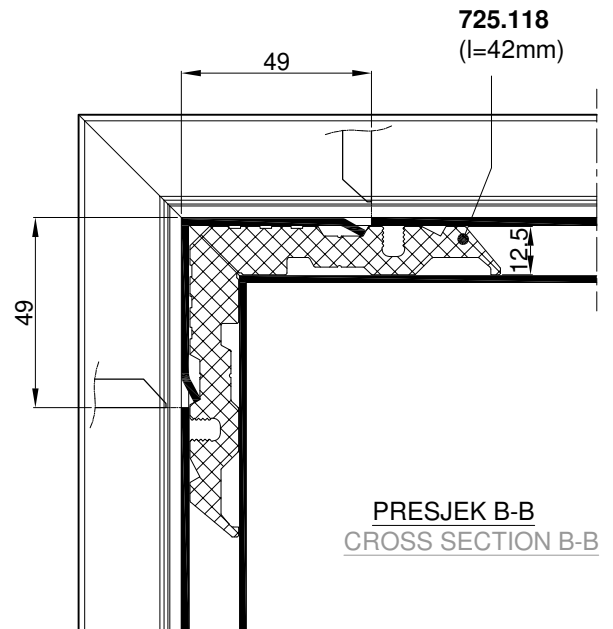
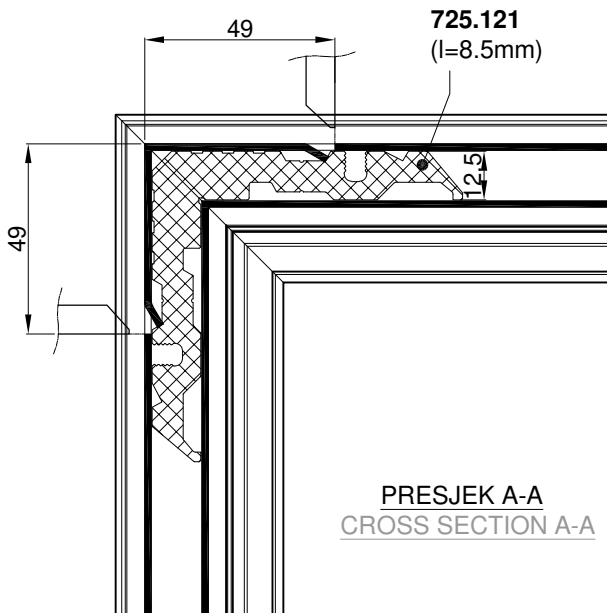
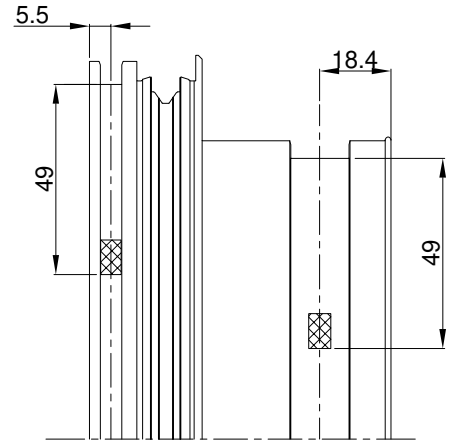
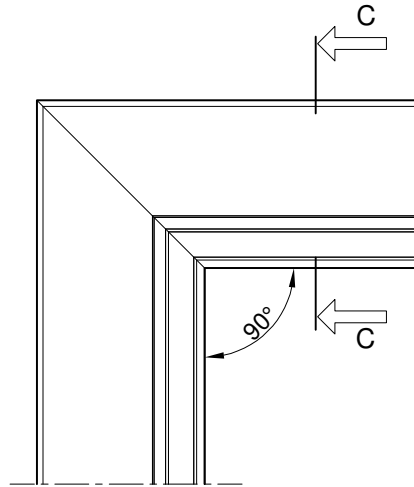
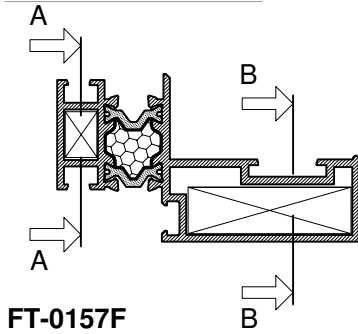
- VIJČANA VEZA + UTISKIVANJE STJENKE U KUTNIK
- ALUMINIUM PROFILE SCREW CONNECTION AND CORNER CRIMPING



- | | |
|----|-------------------------|
| 1. | STROJNO UPREŠAVANJE |
| 2. | RUČNO UPREŠAVANJE |
| 3. | VIJČANA VEZA |
| 1. | MACHINE CORNER CRIMPING |
| 2. | MANUAL CORNER CRIMPING |
| 3. | SCREW CONNECTION |

- UPREŠAVANJE STJENKE PROFILA U KUTNIK
- ALUMINIUM PROFILE CORNER CRIMPING

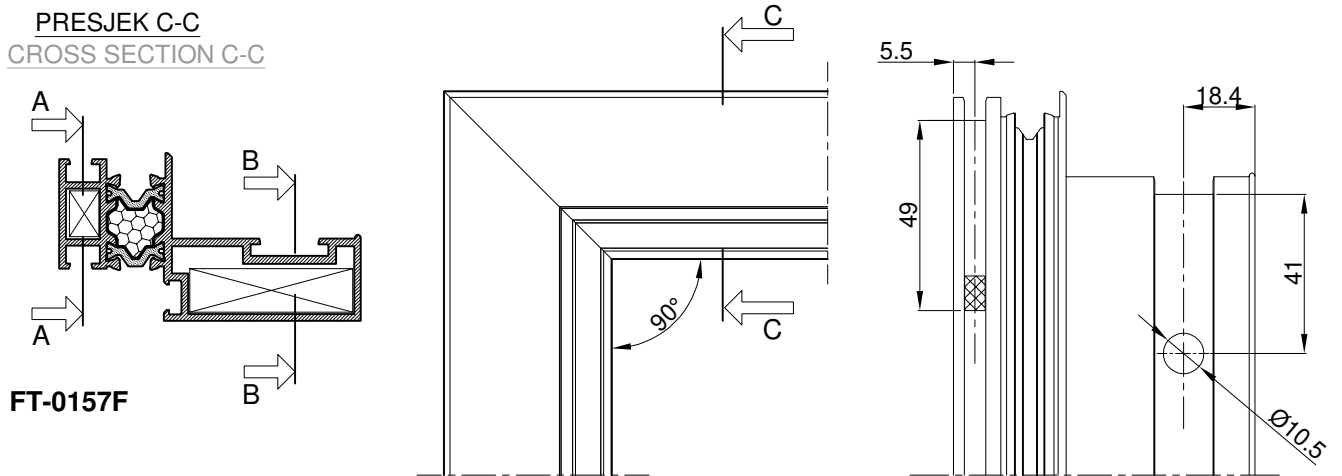
PRESJEK C-C
CROSS SECTION C-C



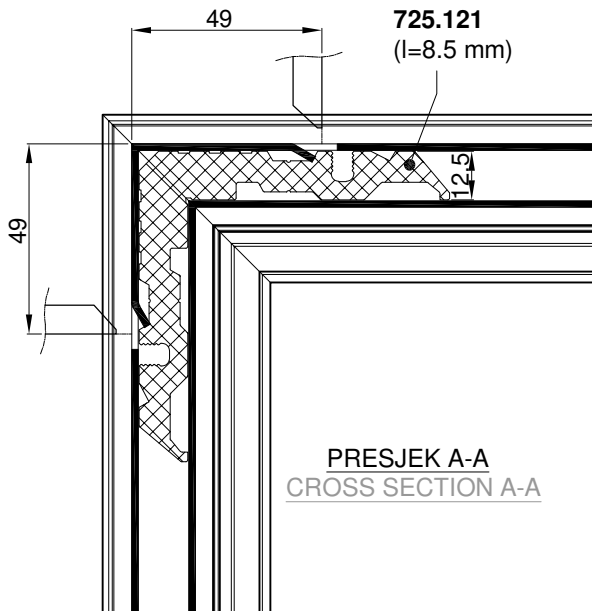
- | |
|--|
| <ol style="list-style-type: none"> 1. STROJNO UPREŠAVANJE 2. RUČNO UPREŠAVANJE <ol style="list-style-type: none"> 1. MACHINE CORNER CRIMPING 2. MANUAL CORNER CRIMPING |
|--|

- VIJČANA VEZA PROFILA + UTISKIVANJE STJENKE U KUTNIK
- ALUMINIUM PROFILE SCREW CONNECTION AND CORNER CRIMPING

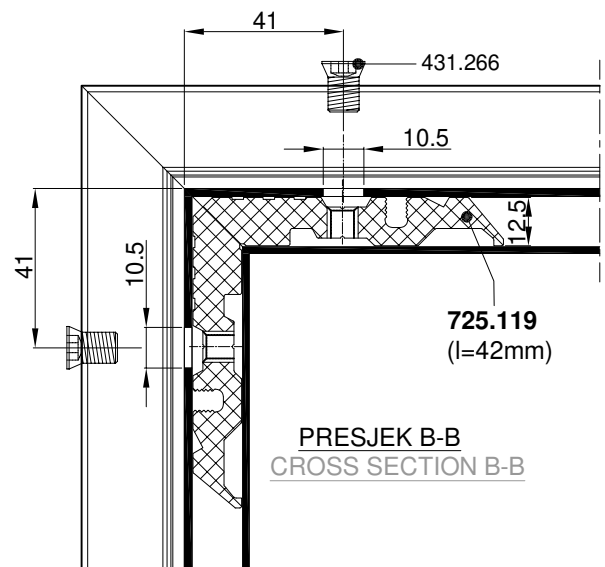
PRESJEK C-C
CROSS SECTION C-C



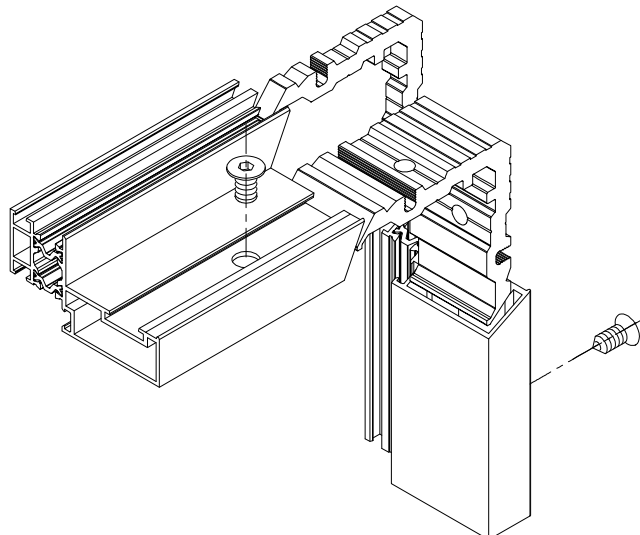
FT-0157F



PRESJEK A-A
CROSS SECTION A-A

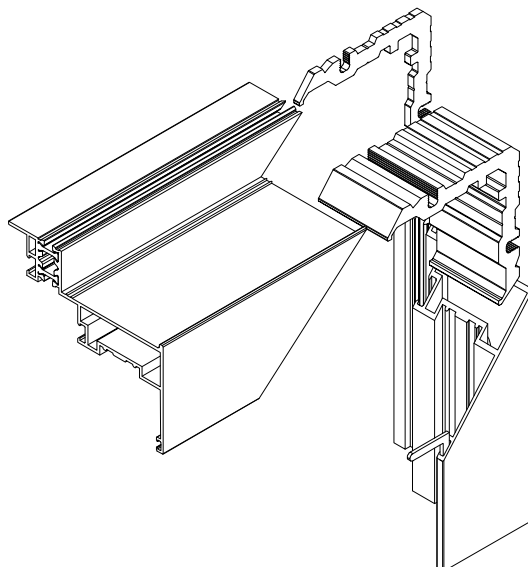
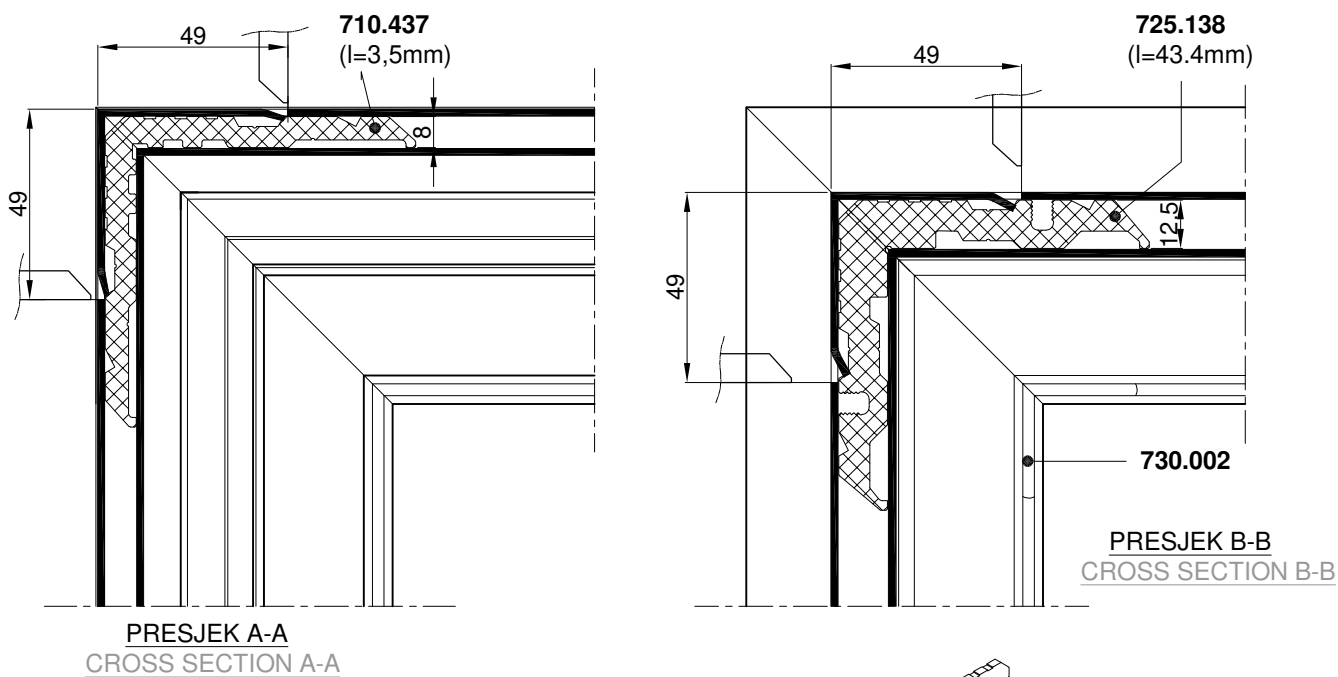
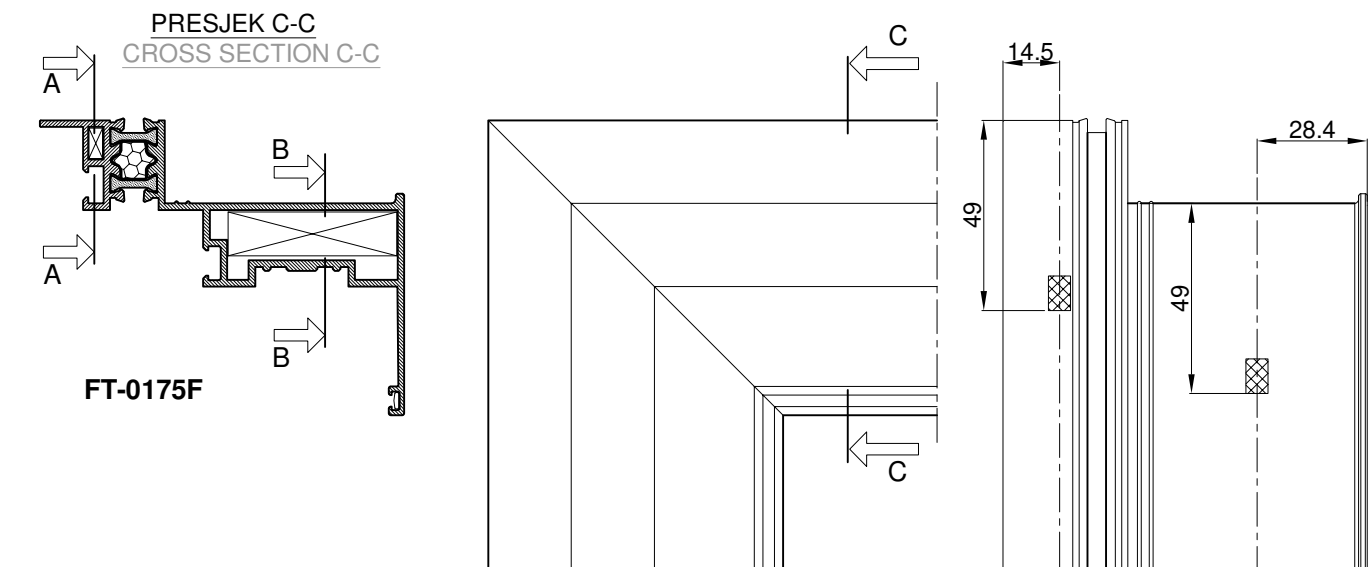


PRESJEK B-B
CROSS SECTION B-B



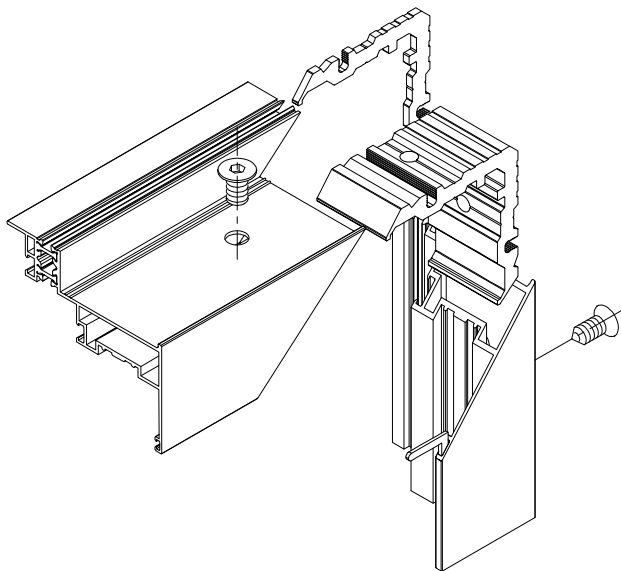
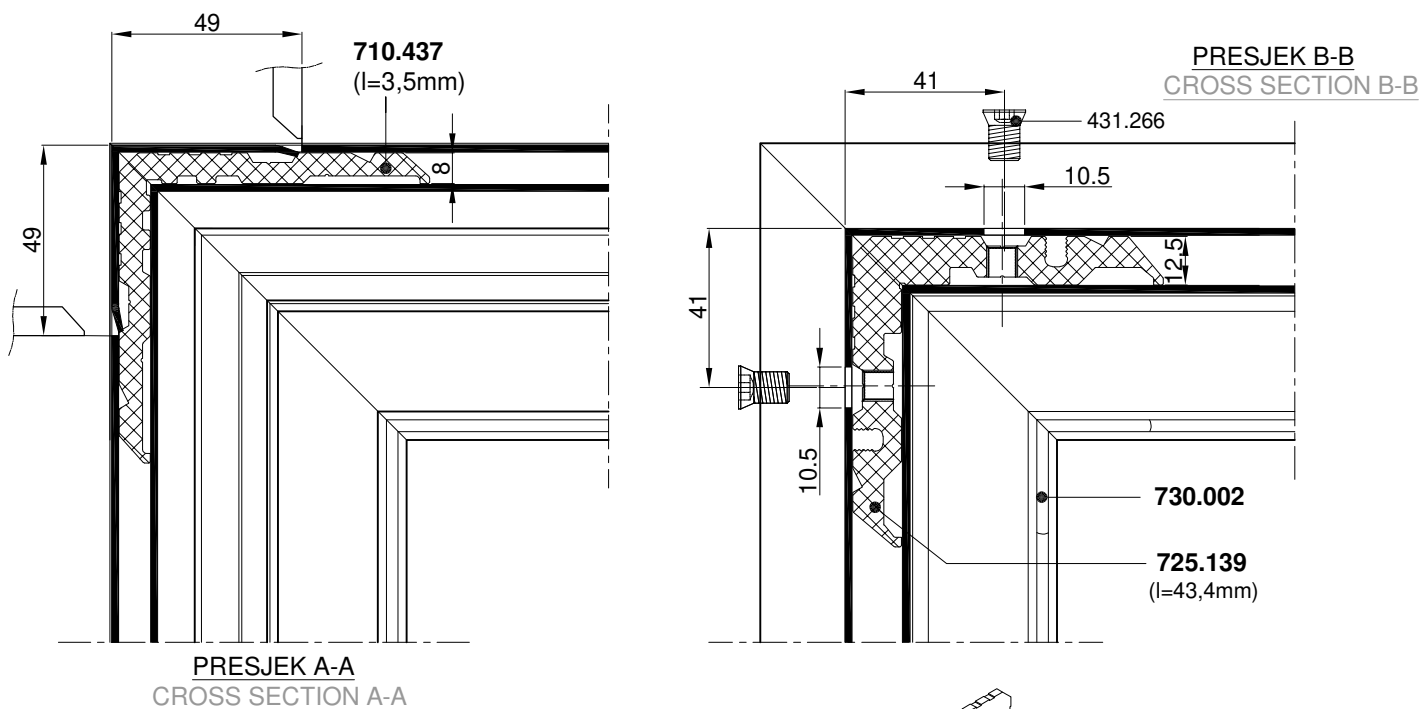
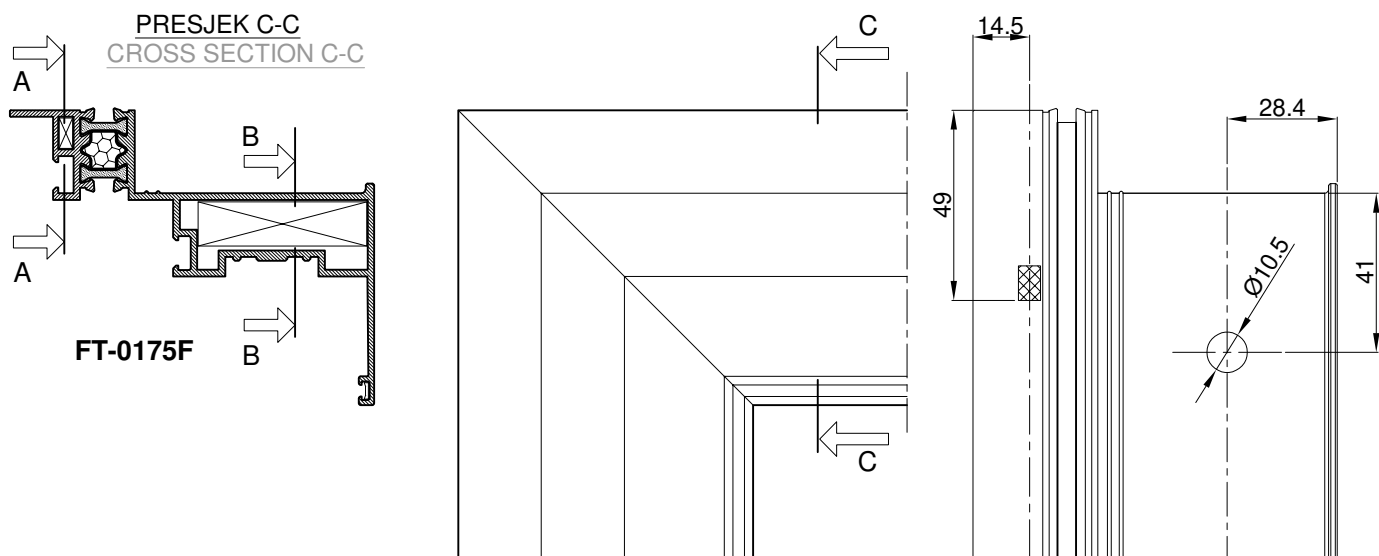
- | | |
|----|-------------------------|
| 1. | STROJNO UPREŠAVANJE |
| 2. | RUČNO UPREŠAVANJE |
| 3. | VIJČANA VEZA |
| 1. | MACHINE CORNER CRIMPING |
| 2. | MANUAL CORNER CRIMPING |
| 3. | SCREW CONNECTION |

- UPREŠAVANJE STJENKE PROFILA U KUTNIK
- ALUMINIUM PROFILE CORNER CRIMPING



- | |
|--|
| <ol style="list-style-type: none"> 1. STROJNO UPREŠAVANJE 2. RUČNO UPREŠAVANJE <ol style="list-style-type: none"> 1. MACHINE CORNER CRIMPING 2. MANUAL CORNER CRIMPING |
|--|

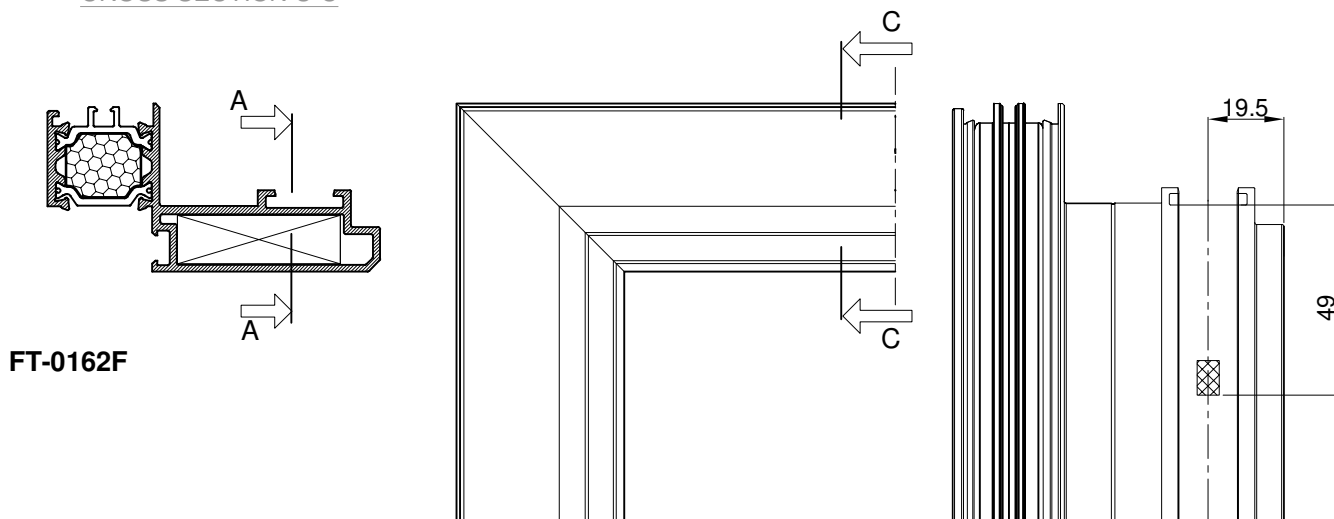
- VIJČANA VEZA PROFILA + UTISKIVANJE STJENKE U KUTNIK
- ALUMINIUM PROFILE SCREW CONNECTION AND CORNER CRIMPING



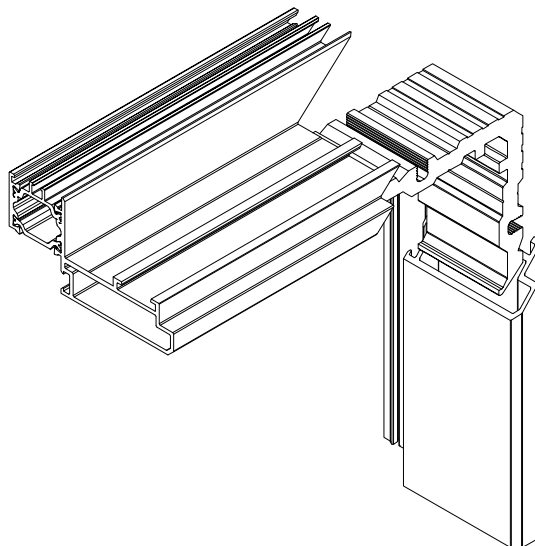
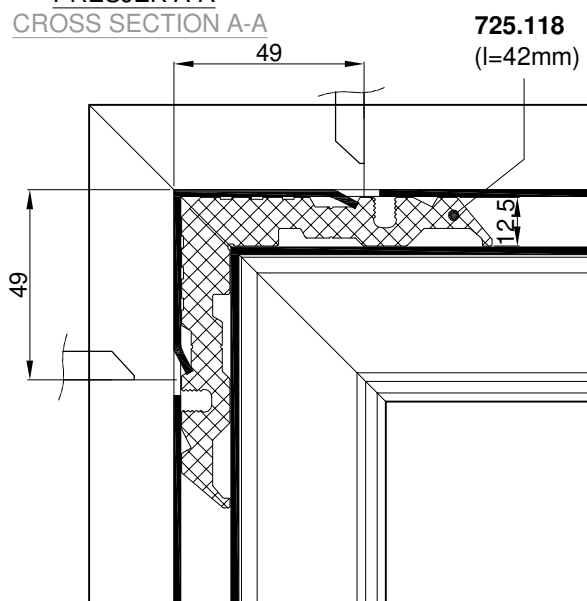
- | |
|----------------------------|
| 1. STROJNO UPREŠAVANJE |
| 2. RUČNO UPREŠAVANJE |
| 3. VIJČANA VEZA |
| 1. MACHINE CORNER CRIMPING |
| 2. MANUAL CORNER CRIMPING |
| 3. SCREW CONNECTION |

- UPREŠAVANJE STJENKE PROFILA U KUTNIK
- ALUMINIUM PROFILE CORNER CRIMPING

PRESJEK C-C
CROSS SECTION C-C



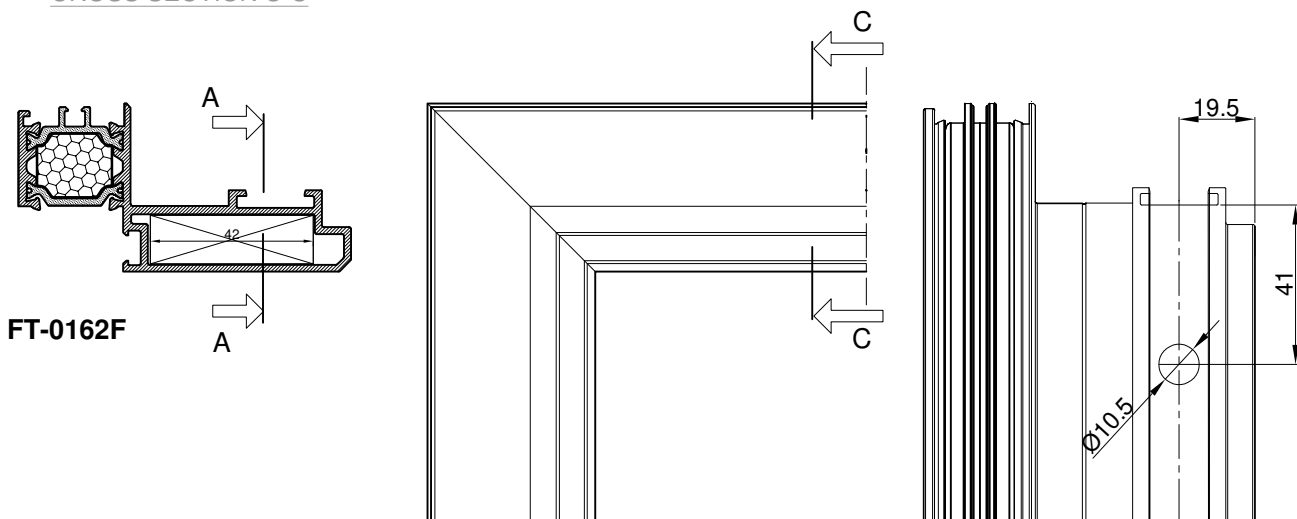
PRESJEK A-A
CROSS SECTION A-A



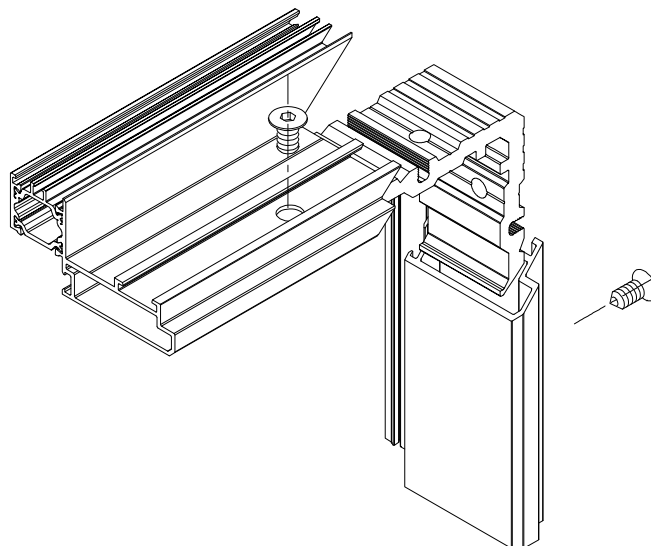
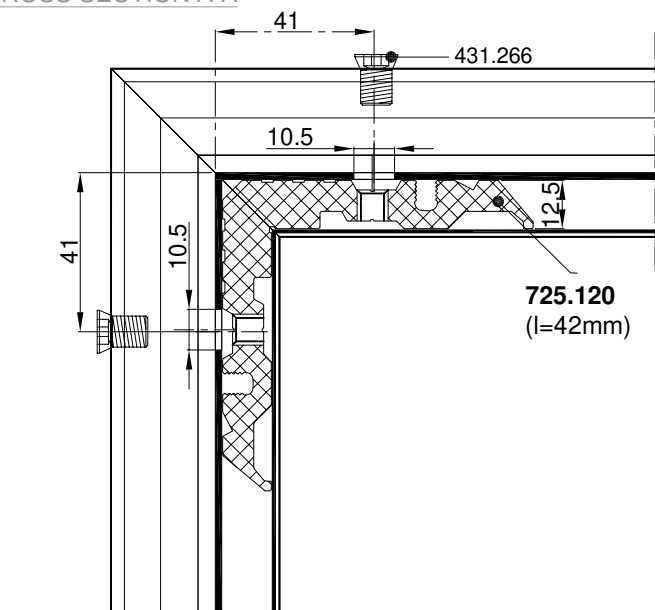
1. STROJNO UPREŠAVANJE
 2. RUČNO UPREŠAVANJE
1. MACHINE CORNER CRIMPING
 2. MANUAL CORNER CRIMPING

- VIJČANA VEZA PROFILA
- ALUMINIUM PROFILE SCREW CONNECTION

PRESJEK C-C
CROSS SECTION C-C

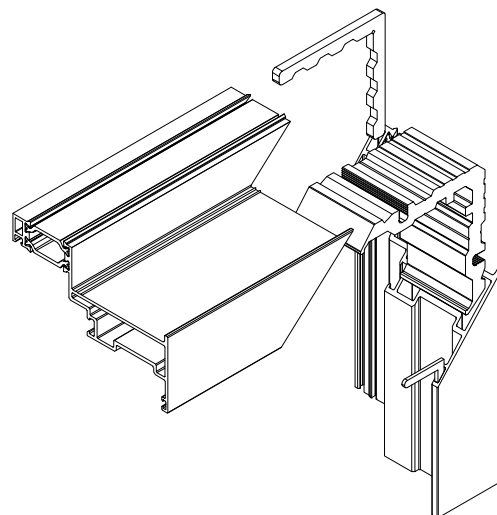
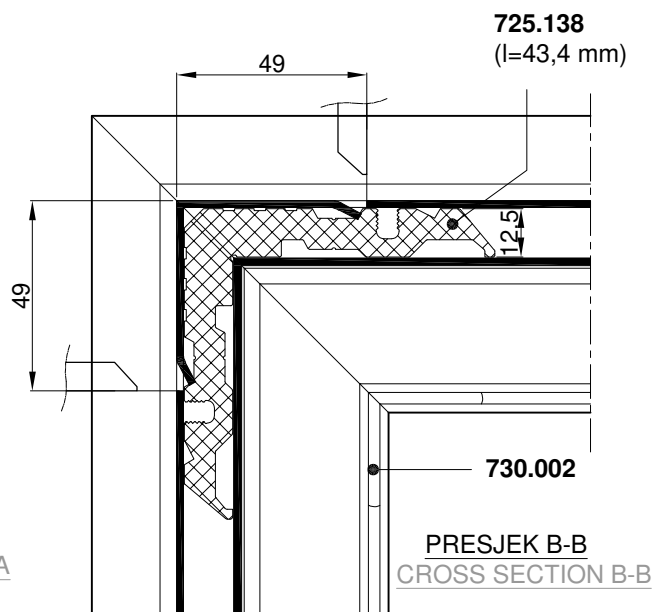
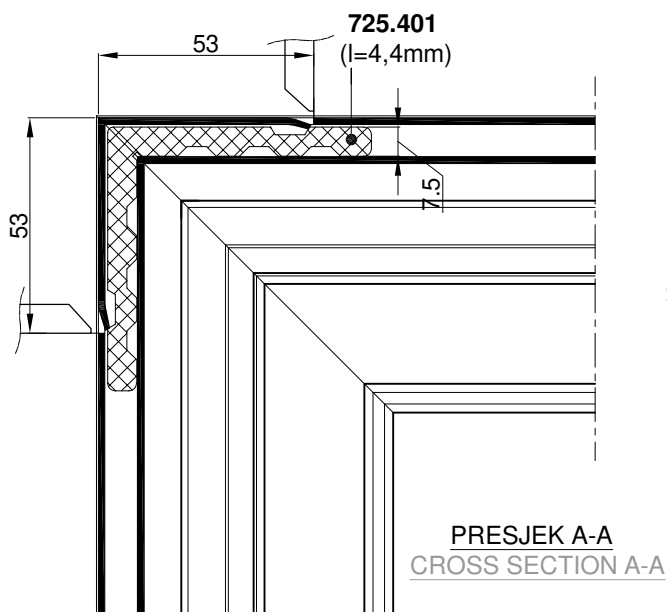
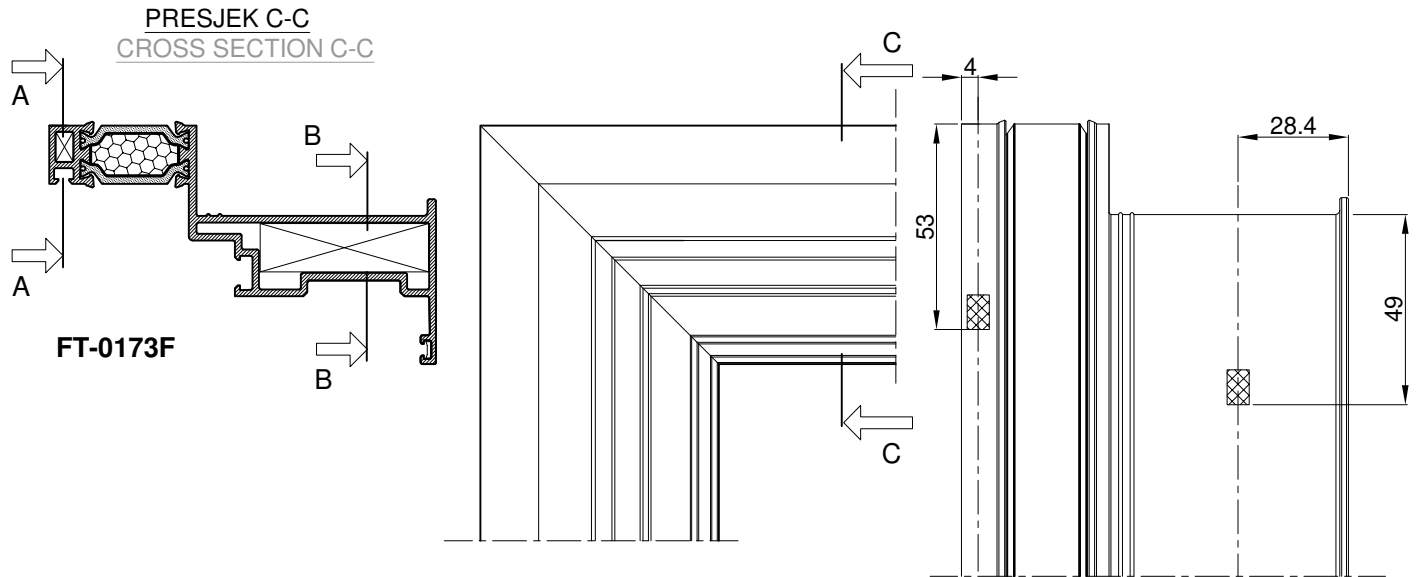


PRESJEK A-A
CROSS SECTION A-A



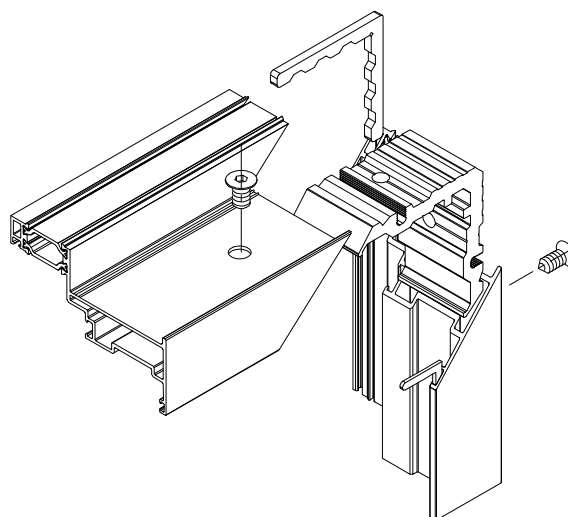
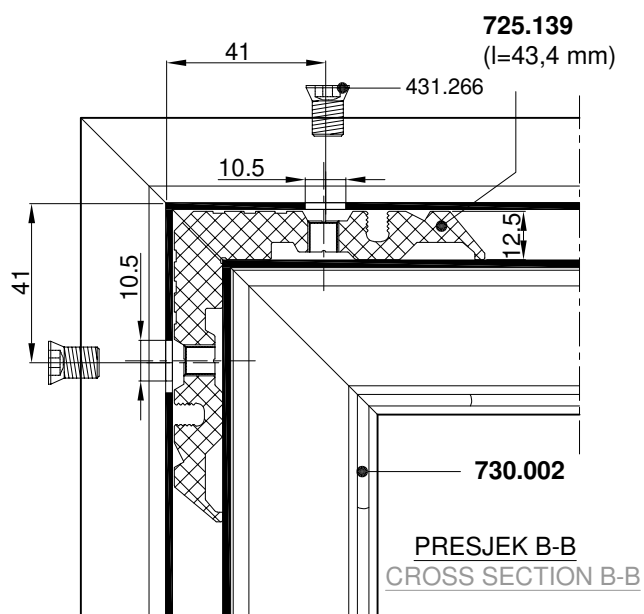
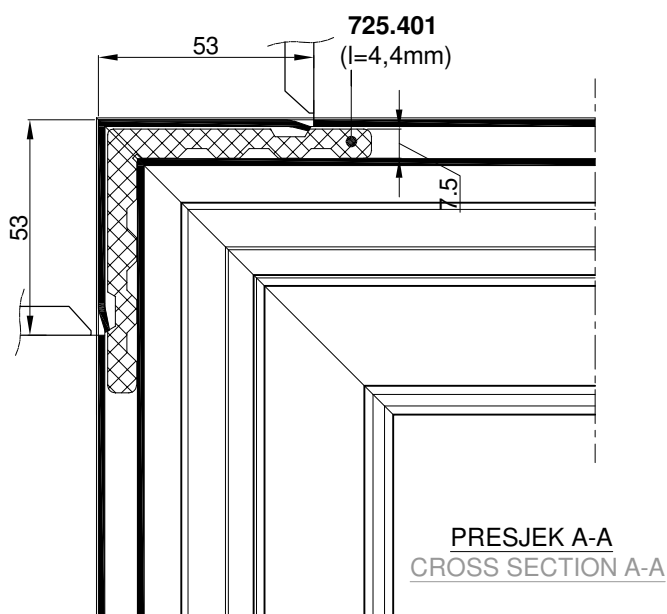
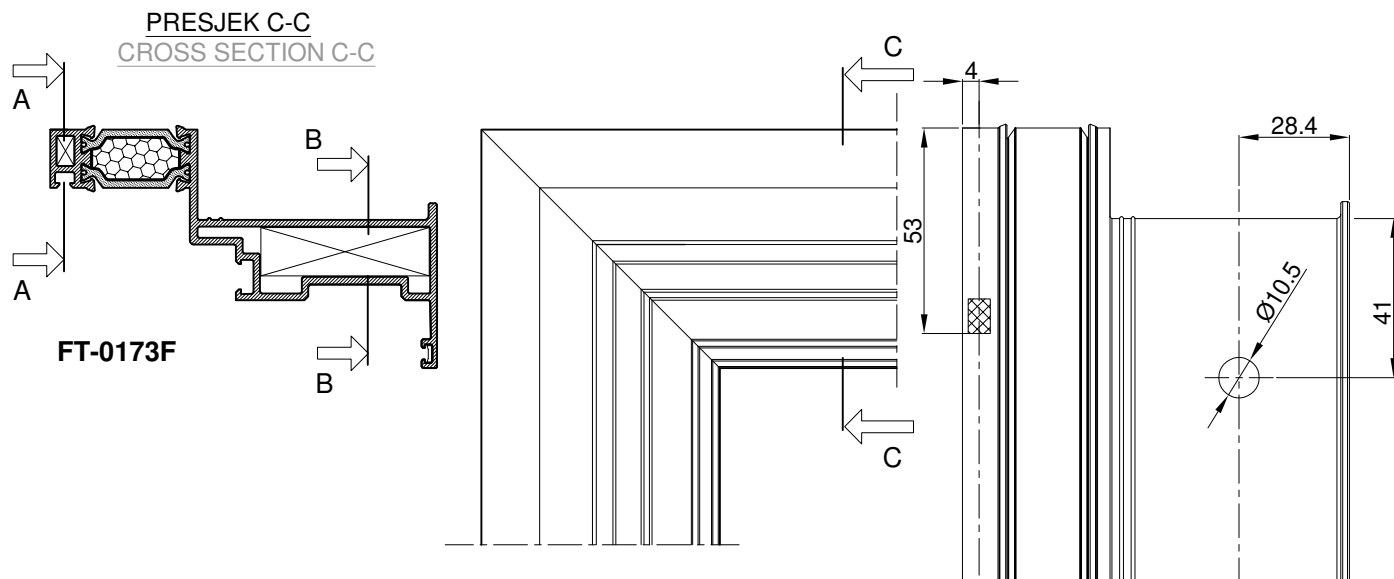
- | |
|--|
| <ul style="list-style-type: none"> 1. VIJČANA VEZA 1. SCREW CONNECTION |
|--|

- UPREŠAVANJE STJENKE PROFILA U KUTNIK
- ALUMINIUM PROFILE CORNER CRIMPING



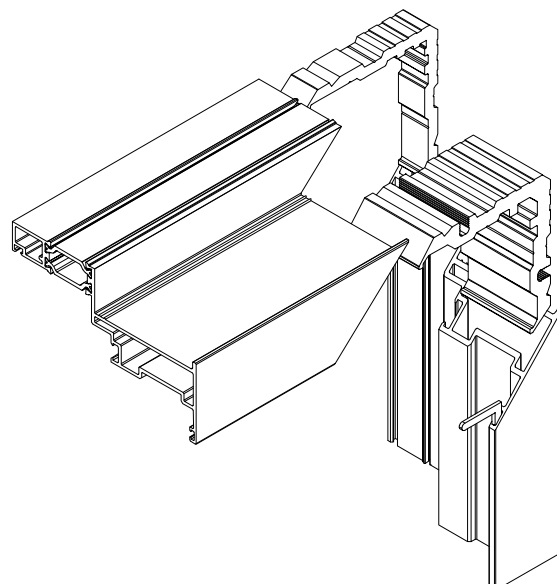
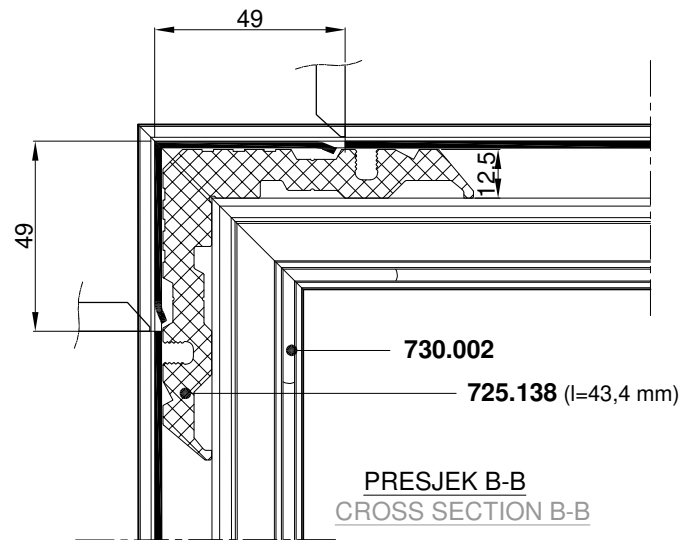
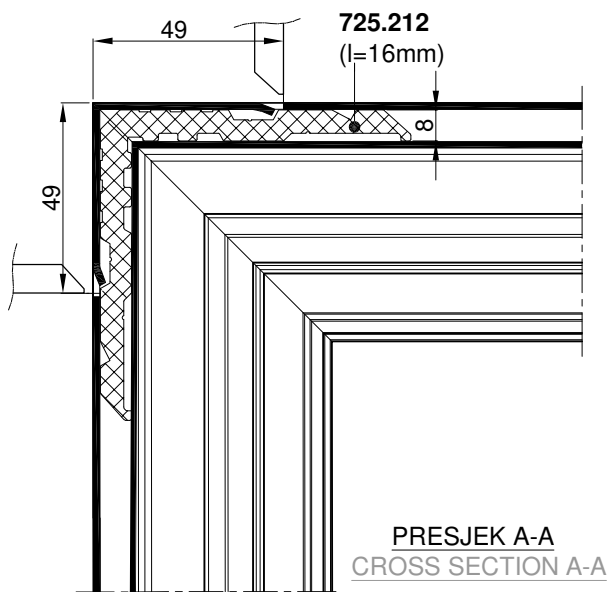
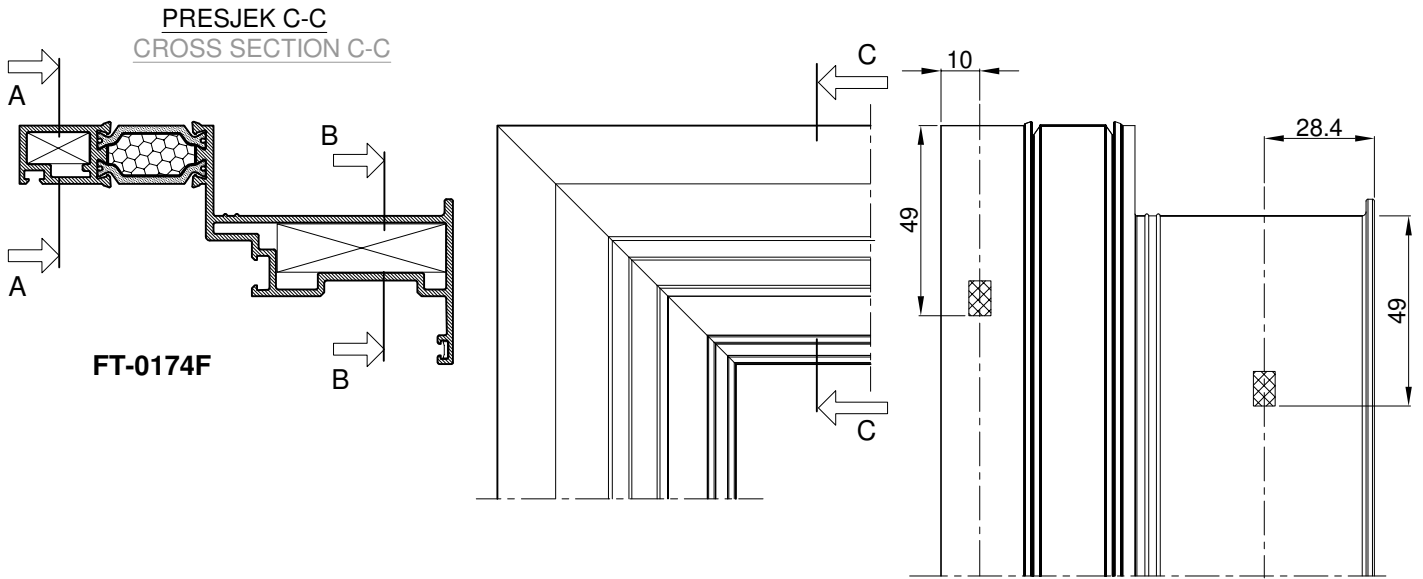
1. STROJNO UPREŠAVANJE
2. RUČNO UPREŠAVANJE
1. MACHINE CORNER CRIMPING
2. MANUAL CORNER CRIMPING

- VIJČANA VEZA PROFILA + UTISKIVANJE STJENKE U KUTNIK
- ALUMINIUM PROFILE SCREW CONNECTION AND CORNER CRIMPING



- | |
|--|
| <ol style="list-style-type: none"> 1. STROJNO UPREŠAVANJE 2. RUČNO UPREŠAVANJE 3. VIJČANA VEZA <ol style="list-style-type: none"> 1. MACHINE CORNER CRIMPING 2. MANUAL CORNER CRIMPING 3. SCREW CONNECTION |
|--|

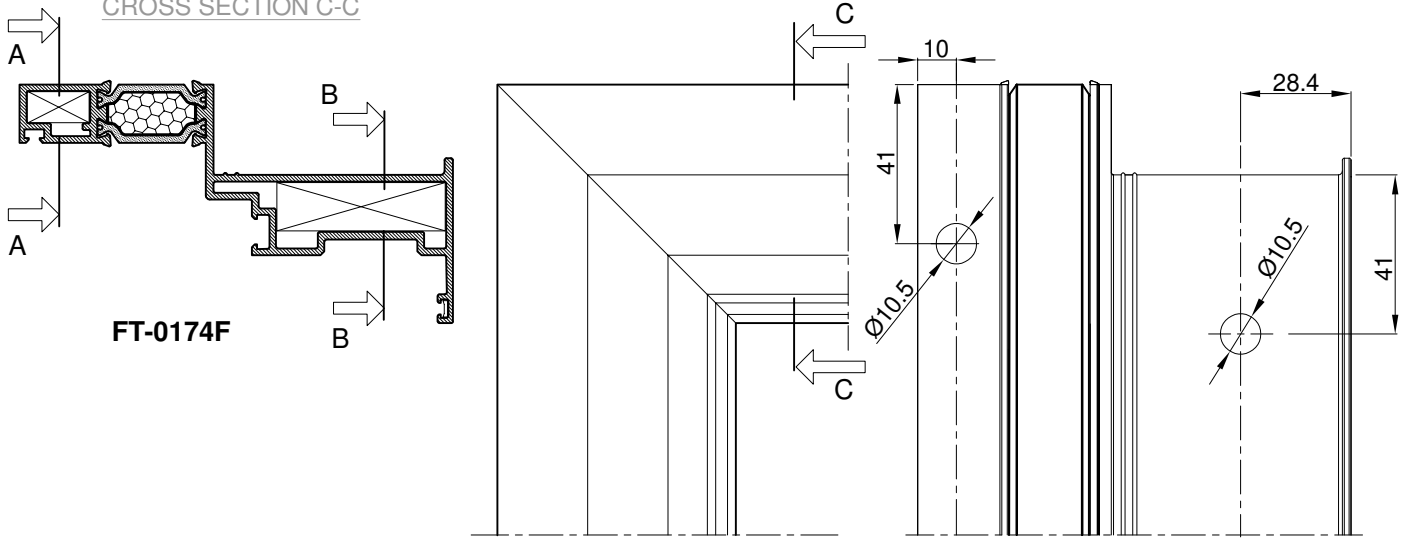
- UPREŠAVANJE STJENKE PROFILA U KUTNIK
- ALUMINIUM PROFILE CORNER CRIMPING



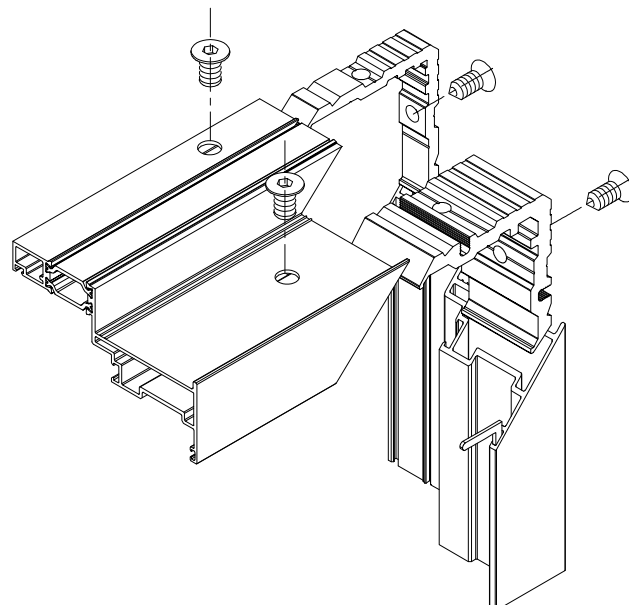
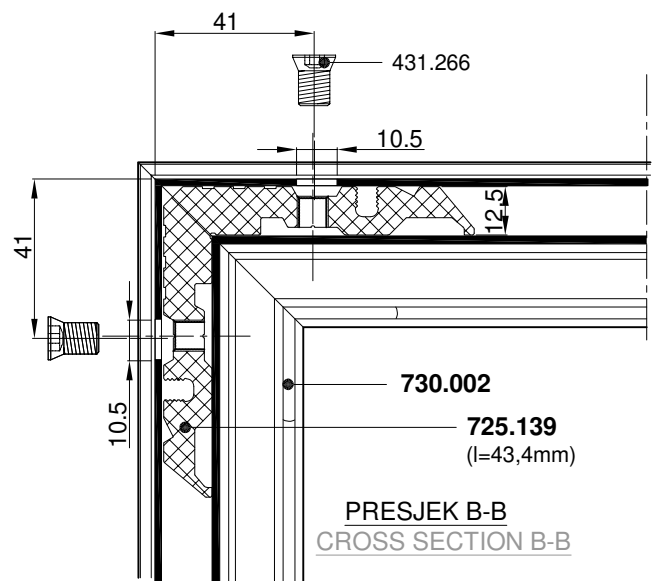
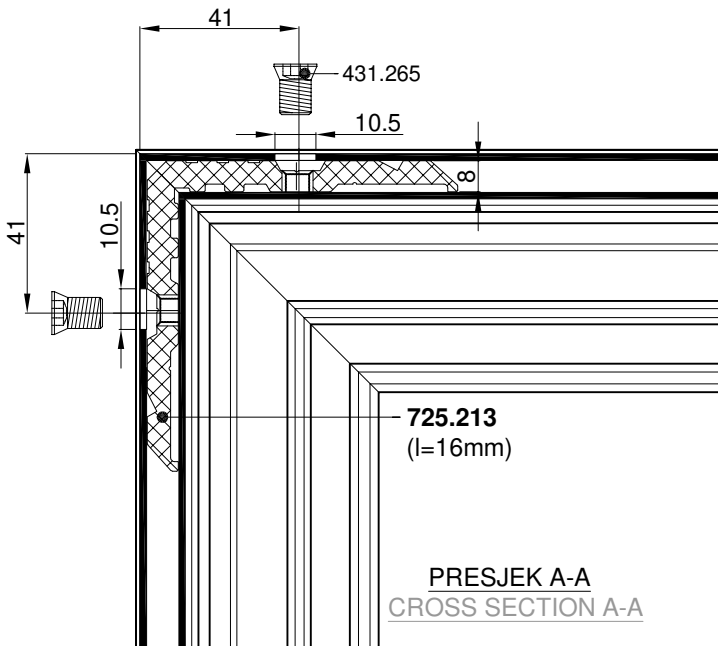
- | |
|--|
| <ol style="list-style-type: none"> 1. STROJNO UPREŠAVANJE 2. RUČNO UPREŠAVANJE <ol style="list-style-type: none"> 1. MACHINE CORNER CRIMPING 2. MANUAL CORNER CRIMPING |
|--|

- VIJČANA VEZA PROFILA
- ALUMINIUM PROFILE SCREW CONNECTION

PRESJEK C-C
CROSS SECTION C-C



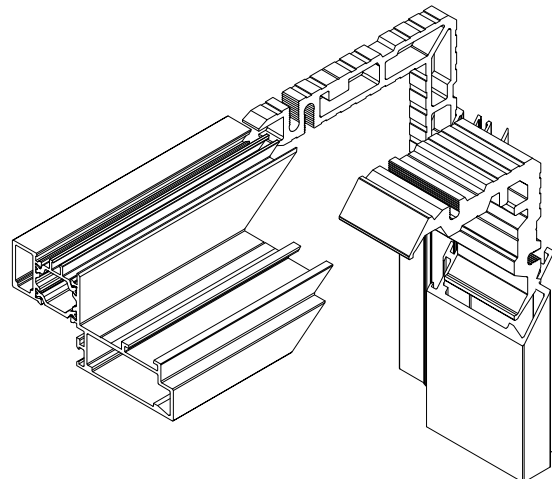
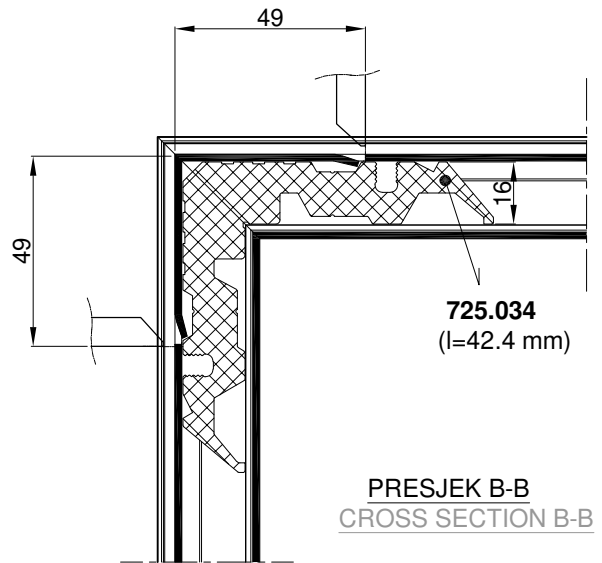
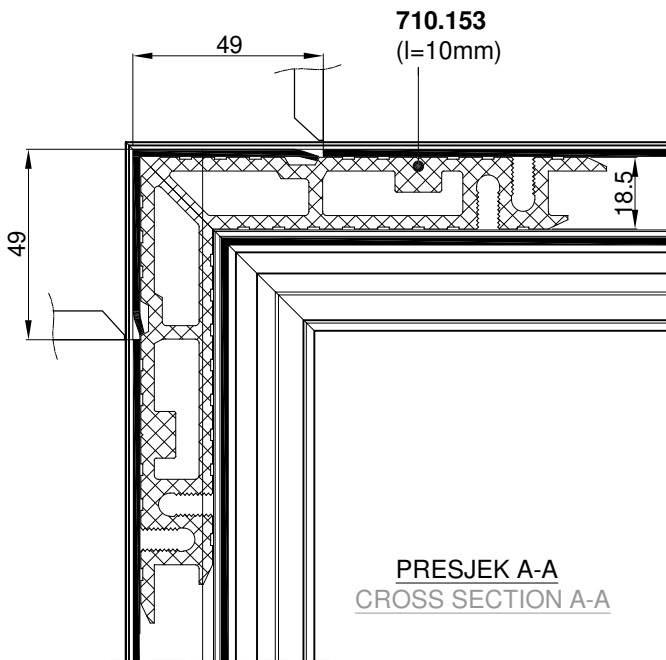
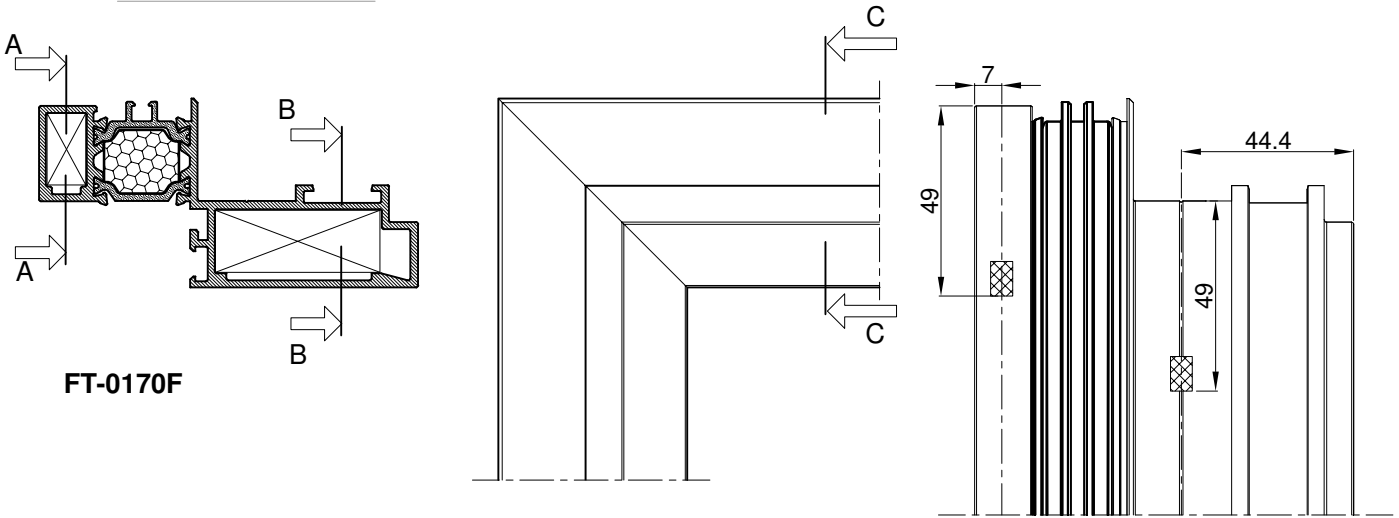
FT-0174F



1. VIJČANA VEZA
1. SCREW CONNECTION

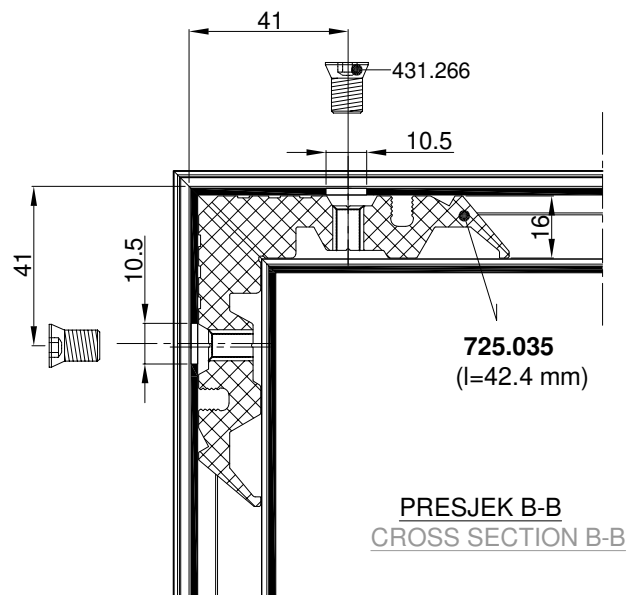
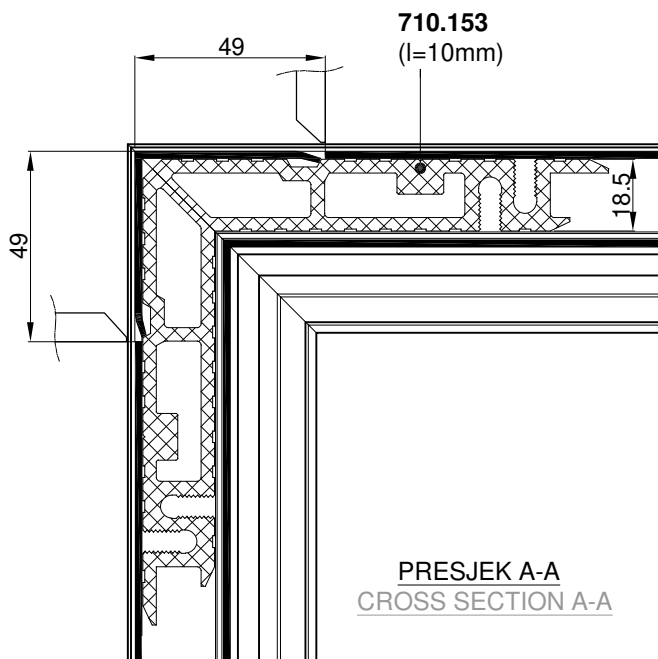
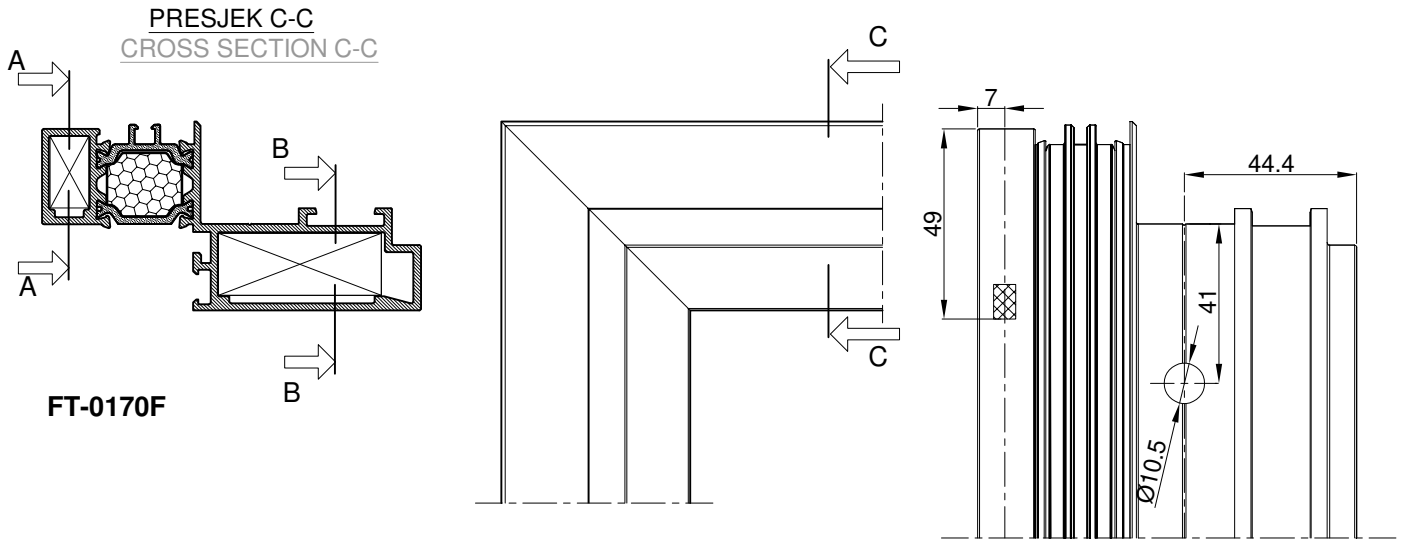
- UPREŠAVANJE STJENKE PROFILA U KUTNIK
- ALUMINIUM PROFILE CORNER CRIMPING

PRESJEK C-C
CROSS SECTION C-C

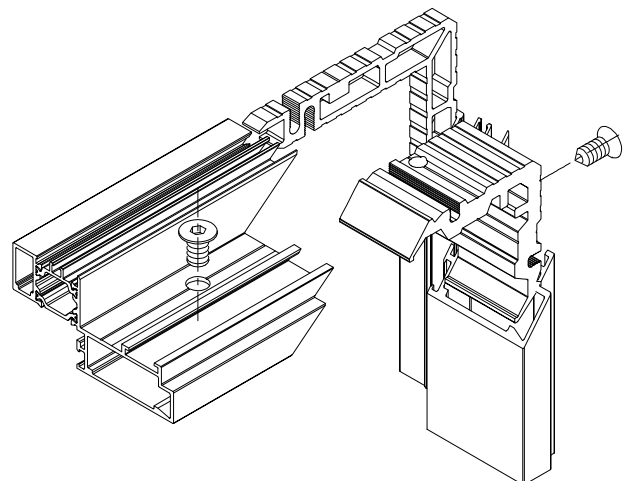


- | |
|--|
| <ol style="list-style-type: none"> 1. STROJNO UPREŠAVANJE 2. RUČNO UPREŠAVANJE <ol style="list-style-type: none"> 1. MACHINE CORNER CRIMPING 2. MANUAL CORNER CRIMPING |
|--|

- VIJČANA VEZA PROFILA + UTISKIVANJE STJENKE U KUTNIK
- ALUMINIUM PROFILE SCREW CONNECTION AND CORNER CRIMPING

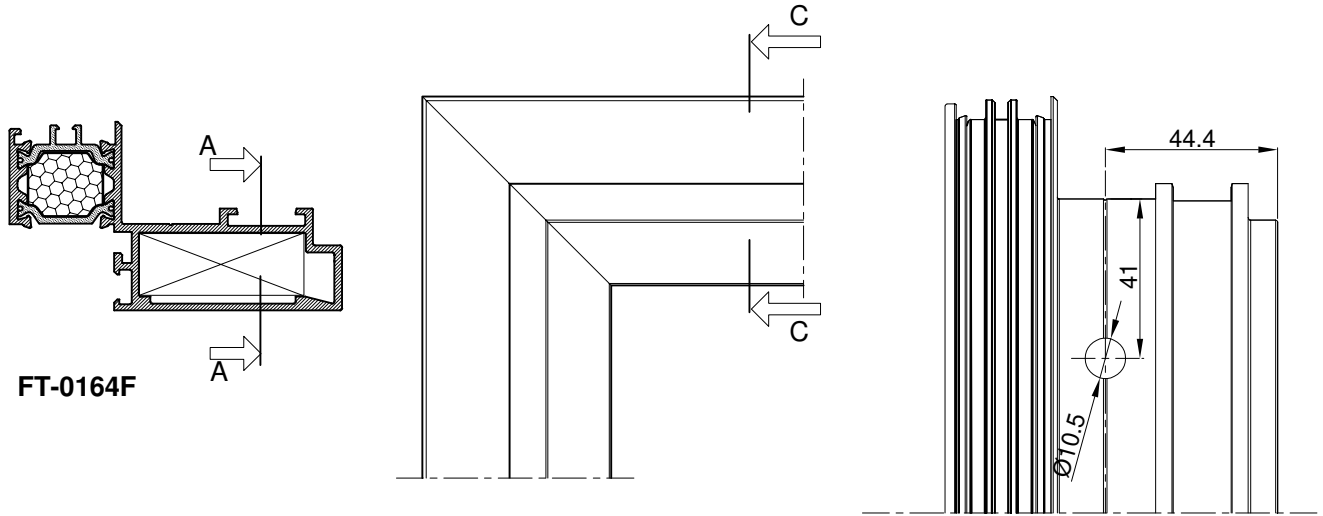


- | |
|----------------------------|
| 1. STROJNO UPREŠAVANJE |
| 2. RUČNO UPREŠAVANJE |
| 3. VIJČANA VEZA |
| 1. MACHINE CORNER CRIMPING |
| 2. MANUAL CORNER CRIMPING |
| 3. SCREW CONNECTION |

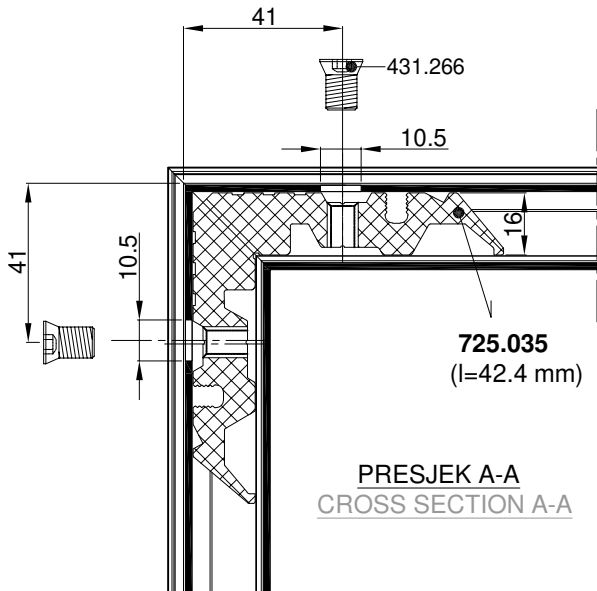


- VIJČANA VEZA PROFILA
- ALUMINIUM PROFILE SCREW CONNECTION

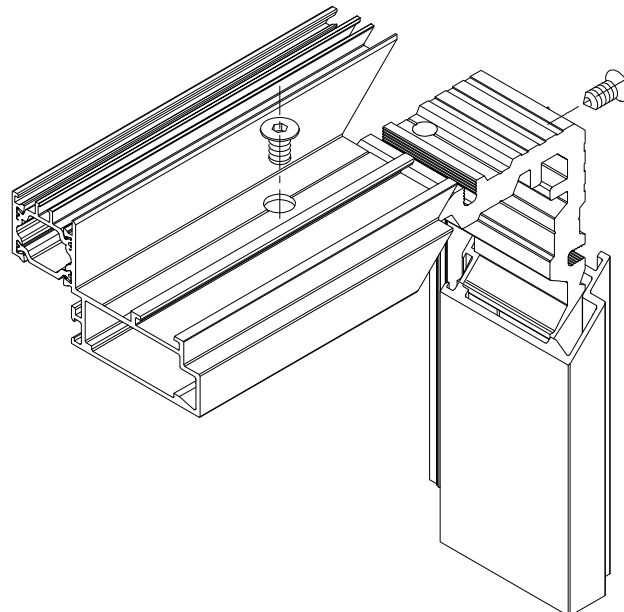
PRESJEK C-C
CROSS SECTION C-C



FT-0164F



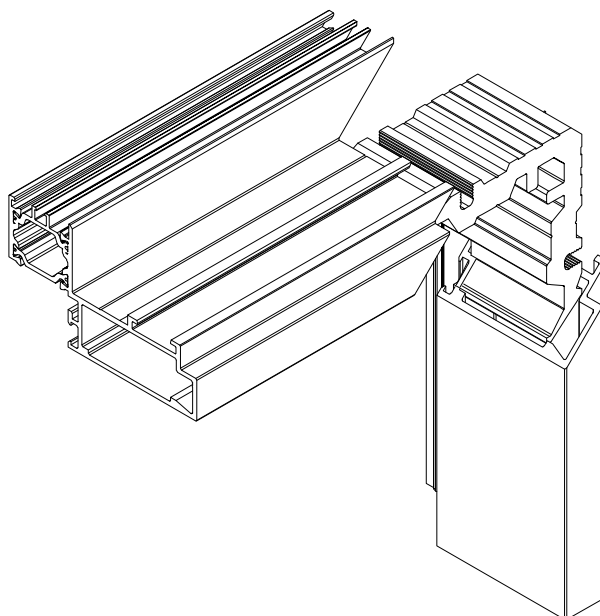
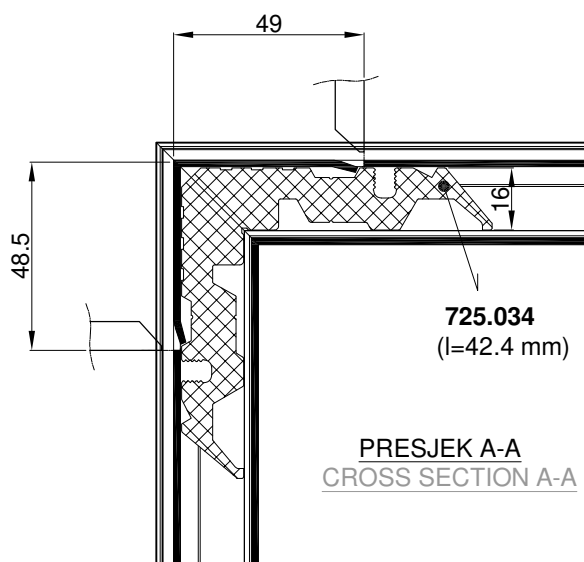
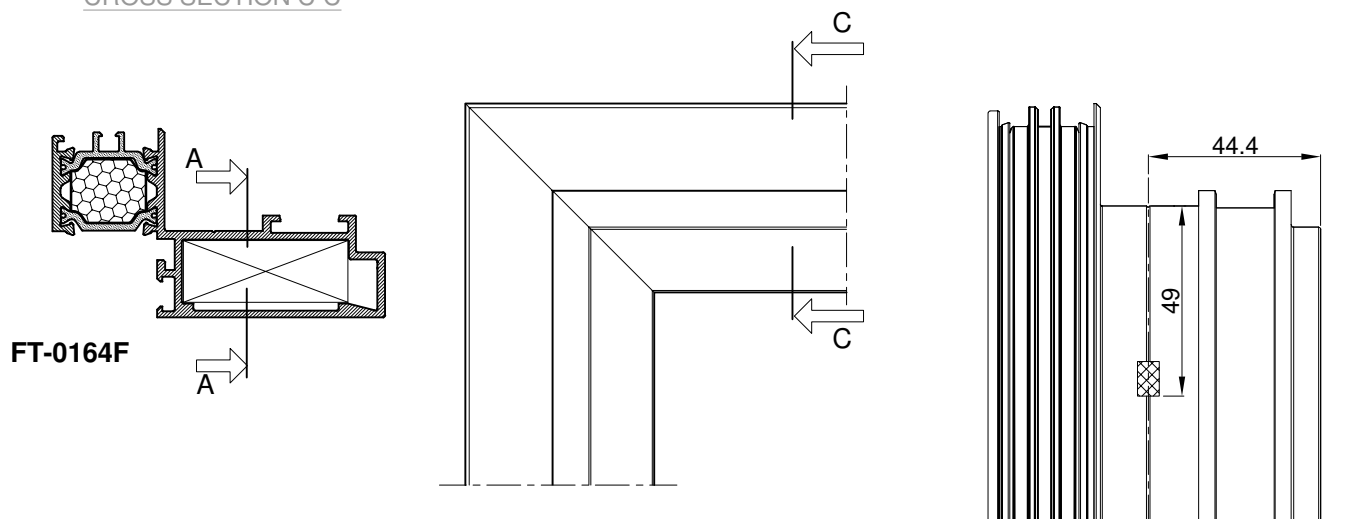
PRESJEK A-A
CROSS SECTION A-A



- | |
|--|
| <p>1. VIJČANA VEZA
1. SCREW CONNECTION</p> |
|--|

- UPREŠAVANJE STJENKE PROFILA PREMA KUTNIKU
- ALUMINIUM PROFILE CORNER CRIMPING

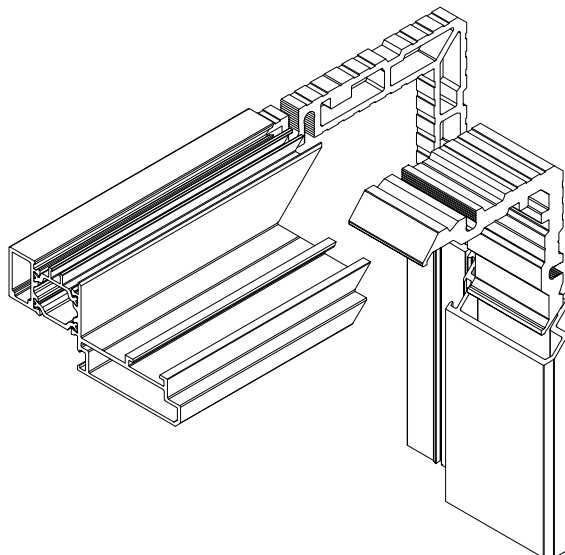
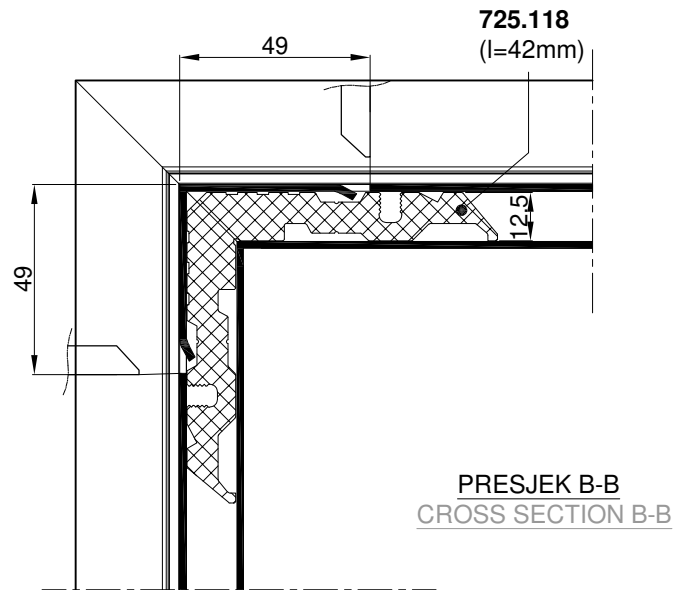
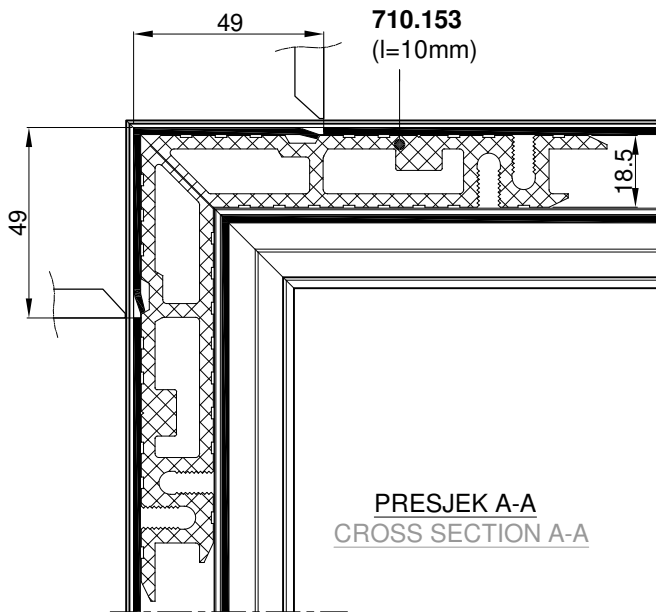
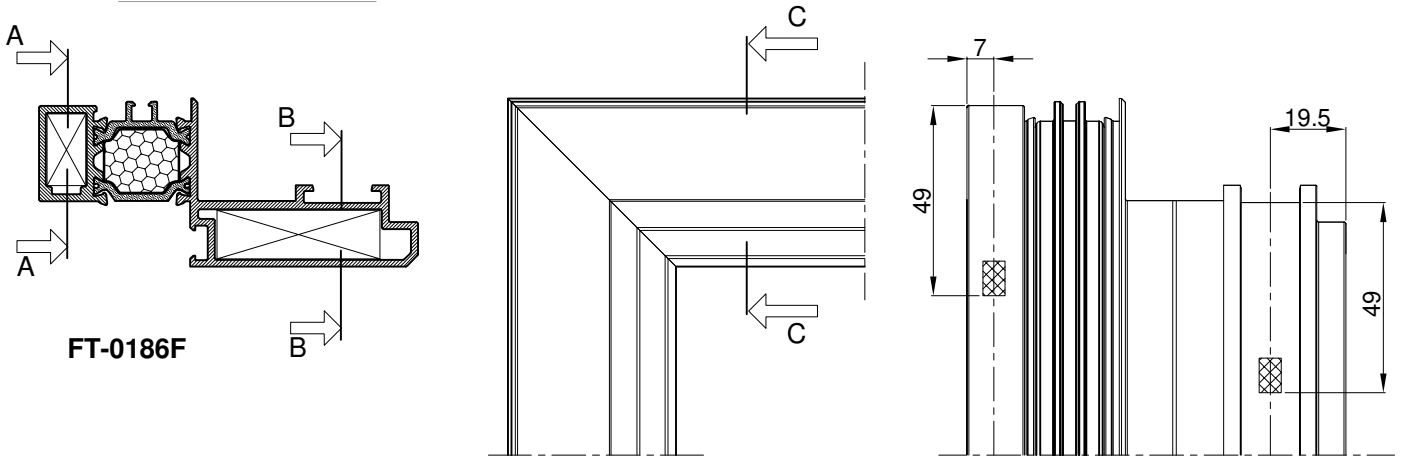
PRESJEK C-C
CROSS SECTION C-C



- | |
|--|
| <ol style="list-style-type: none"> 1. STROJNO UPREŠAVANJE 2. RUČNO UPREŠAVANJE <ol style="list-style-type: none"> 1. MACHINE CORNER CRIMPING 2. MANUAL CORNER CRIMPING |
|--|

- UPREŠAVANJE STJENKE PROFILA U KUTNIK
- ALUMINIUM PROFILE CORNER CRIMPING

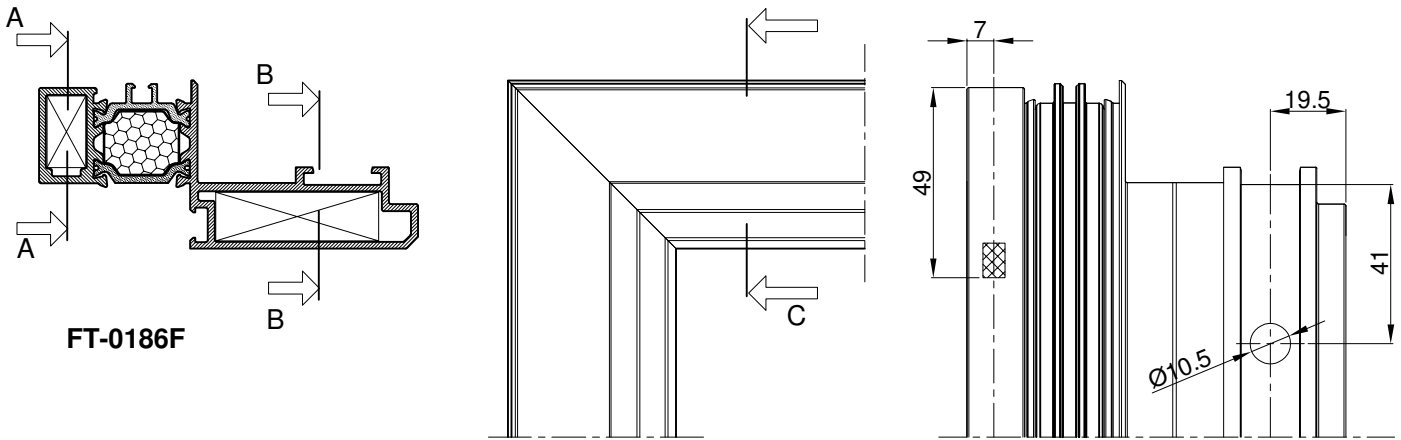
PRESJEK C-C
CROSS SECTION C-C



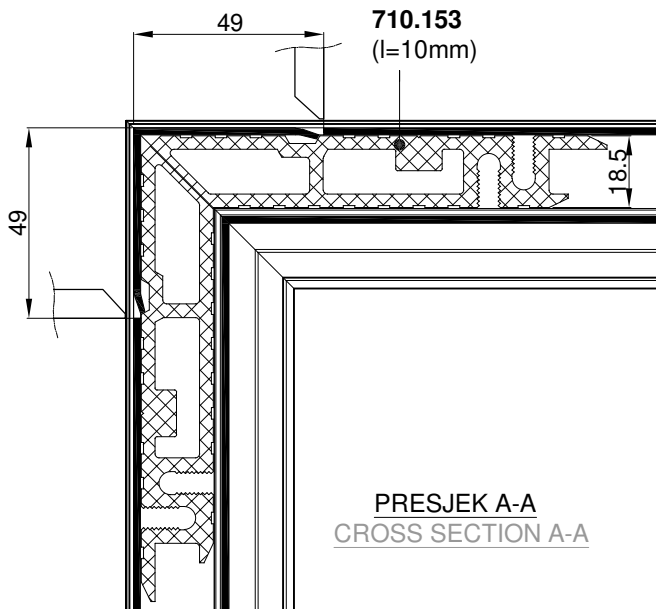
- | |
|--|
| <ol style="list-style-type: none"> 1. STROJNO UPREŠAVANJE 2. RUČNO UPREŠAVANJE <ol style="list-style-type: none"> 1. MACHINE CORNER CRIMPING 2. MANUAL CORNER CRIMPING |
|--|

- UPREŠAVANJE STJENKE PROFILA U KUTNIK + VIJČANA VEZA
- ALUMINIUM PROFILE CORNER CRIMPING AND SCREW CONNECTION

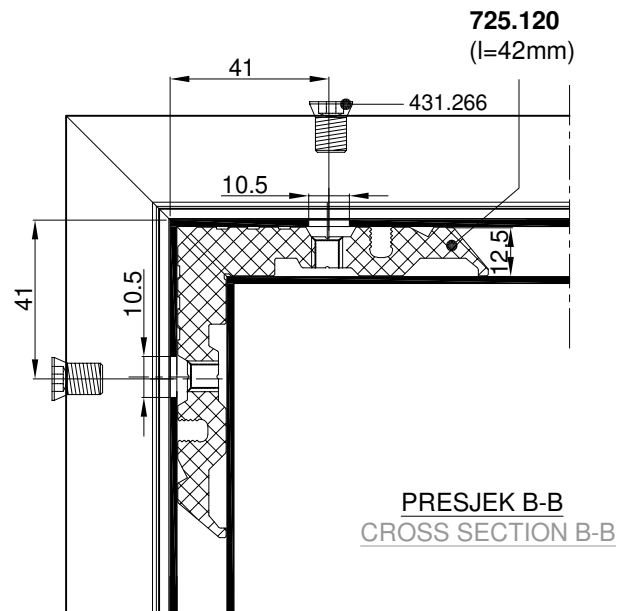
PRESJEK C-C
CROSS SECTION C-C



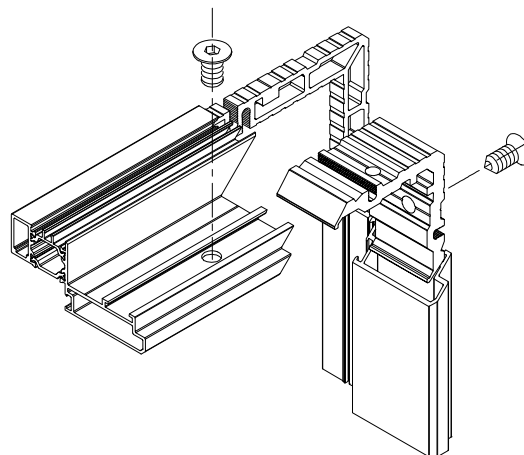
FT-0186F



PRESJEK A-A
CROSS SECTION A-A

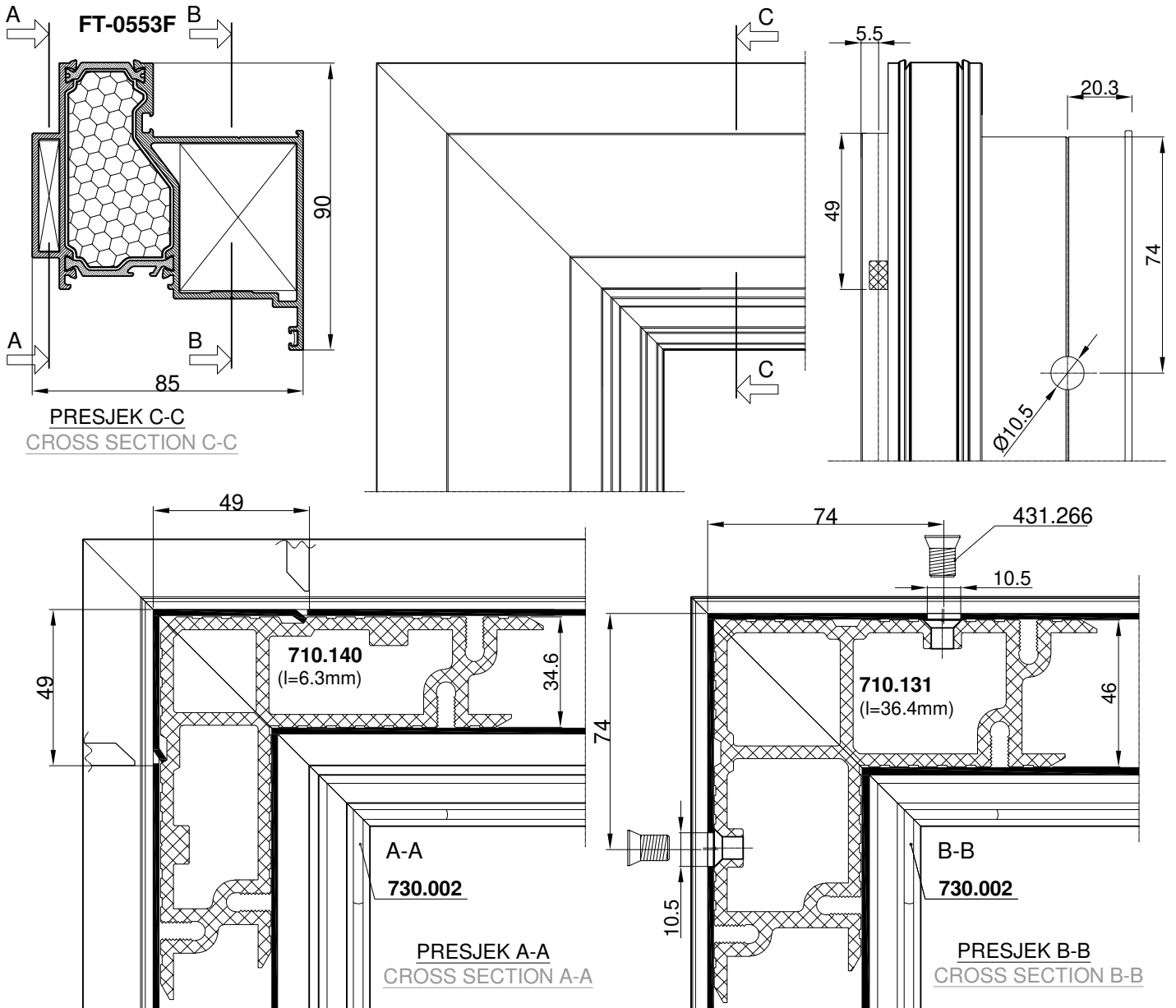


PRESJEK B-B
CROSS SECTION B-B



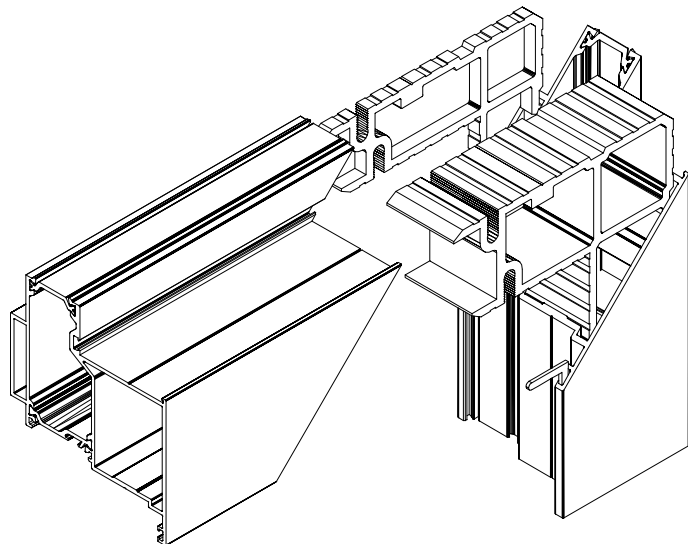
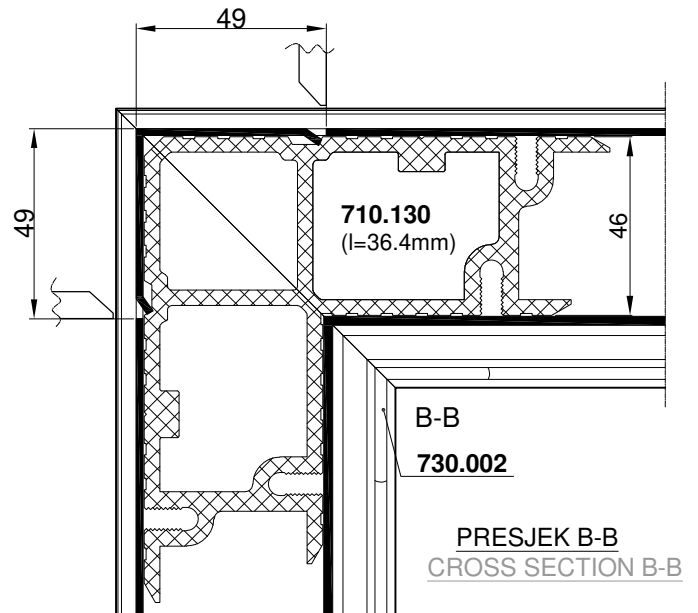
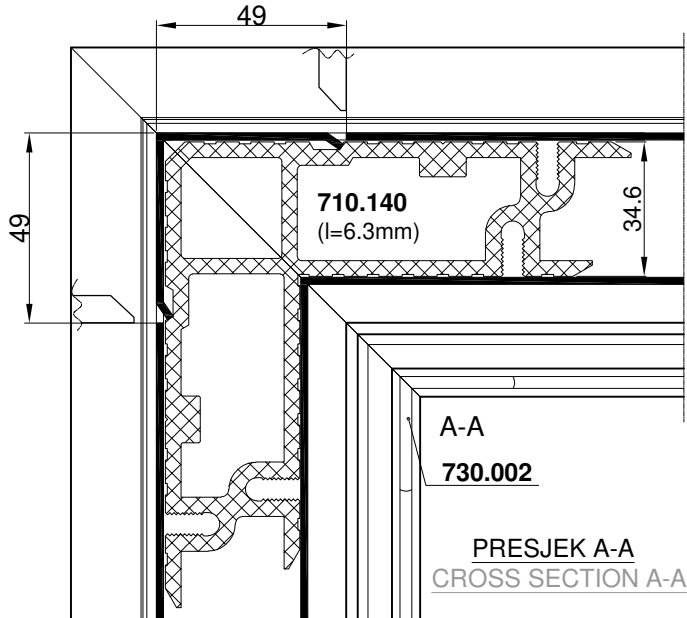
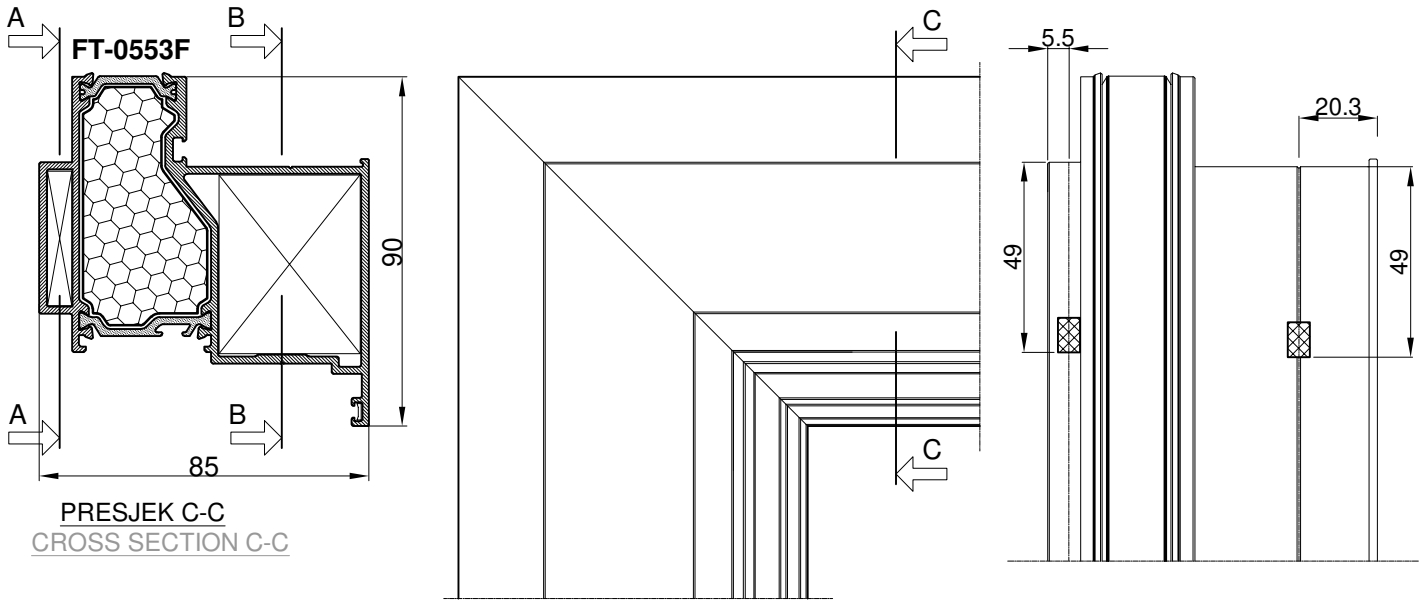
- | |
|---|
| <ol style="list-style-type: none"> 1. STROJNO UPREŠAVANJE 2. RUČNO UPREŠAVANJE 3. VIJČANA VEZA 1. MACHINE CORNER CRIMPING 2. MANUAL CORNER CRIMPING 3. SCREW CONNECTION |
|---|

- VIJČANA VEZA PROFILA + UTISKIVANJE STJENKE U KUTNIK
- ALUMINIUM PROFILE SCREW CONNECTION AND CORNER CRIMPING



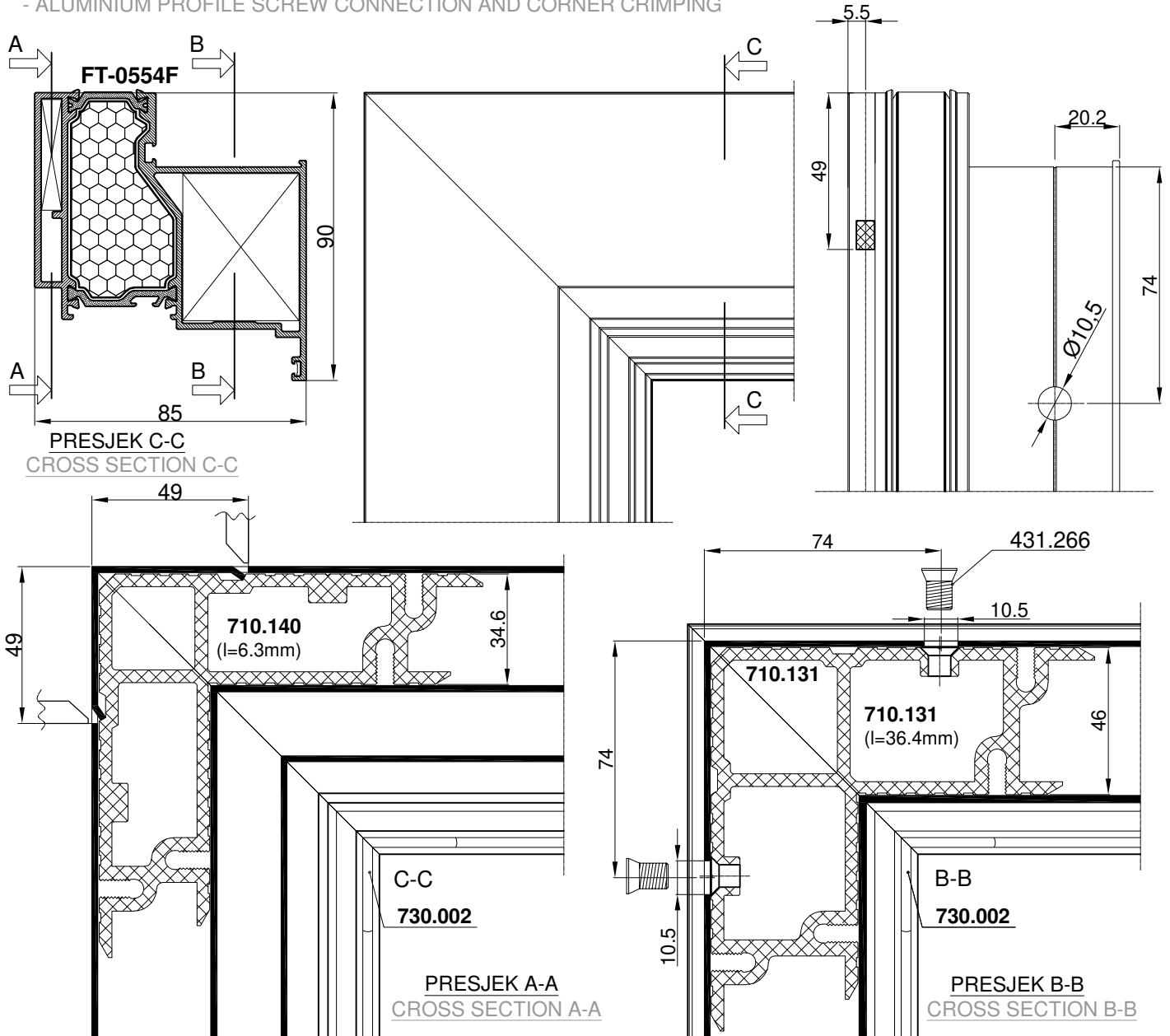
- | | |
|----|-------------------------|
| 1. | STROJNO UPREŠAVANJE |
| 2. | RUČNO UPREŠAVANJE |
| 3. | VIJČANA VEZA |
| 1. | MACHINE CORNER CRIMPING |
| 2. | MANUAL CORNER CRIMPING |
| 3. | SCREW CONNECTION |

- UPREŠAVANJE STJENKE PROFILA U KUTNIK
- ALUMINIUM PROFILE CORNER CRIMPING



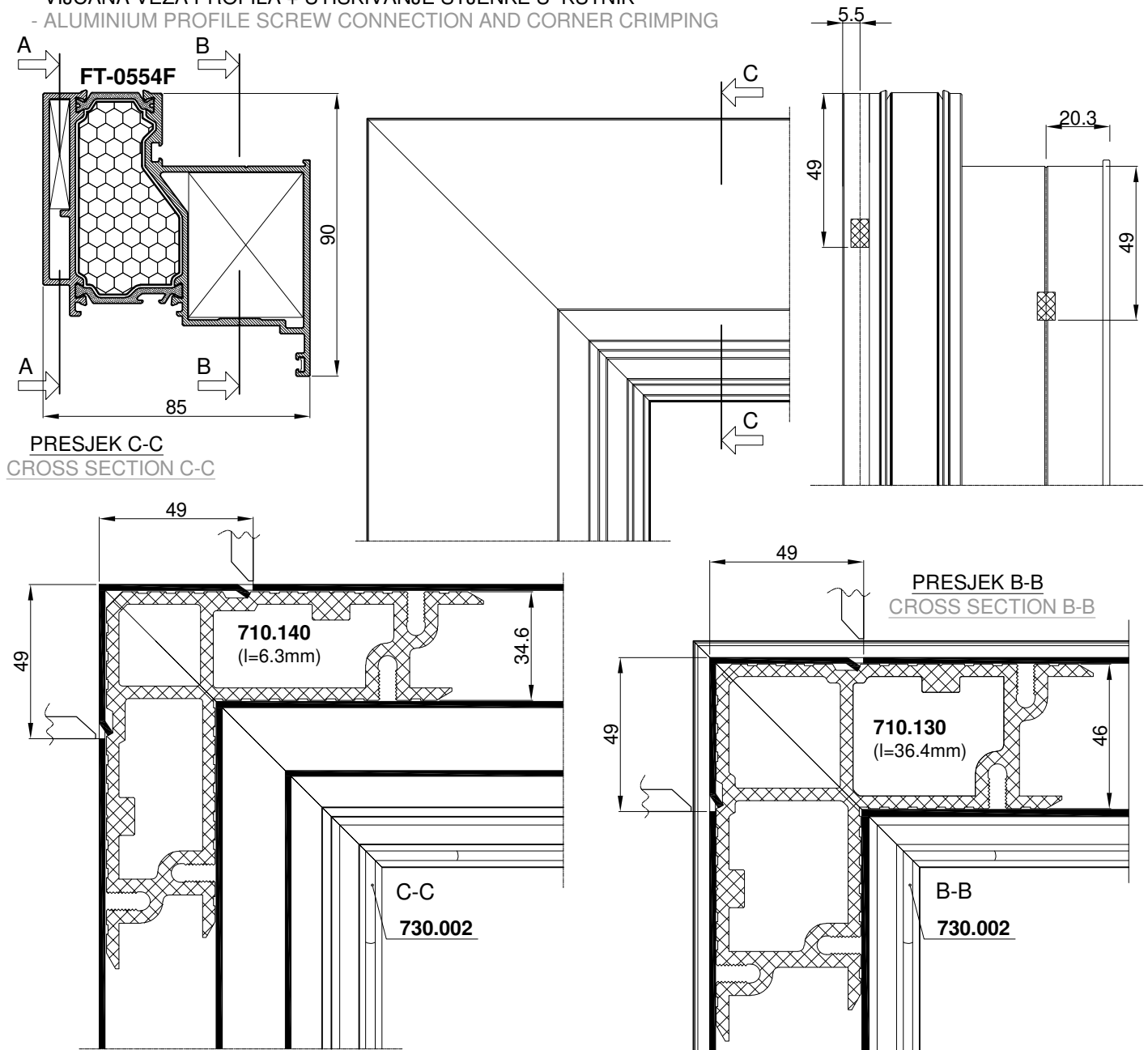
1. STROJNO UPREŠAVANJE
2. RUČNO UPREŠAVANJE
1. MACHINE CORNER CRIMPING
2. MANUAL CORNER CRIMPING

- VIJČANA VEZA PROFILA + UTISKIVANJE STJENKE U KUTNIK
- ALUMINIUM PROFILE SCREW CONNECTION AND CORNER CRIMPING



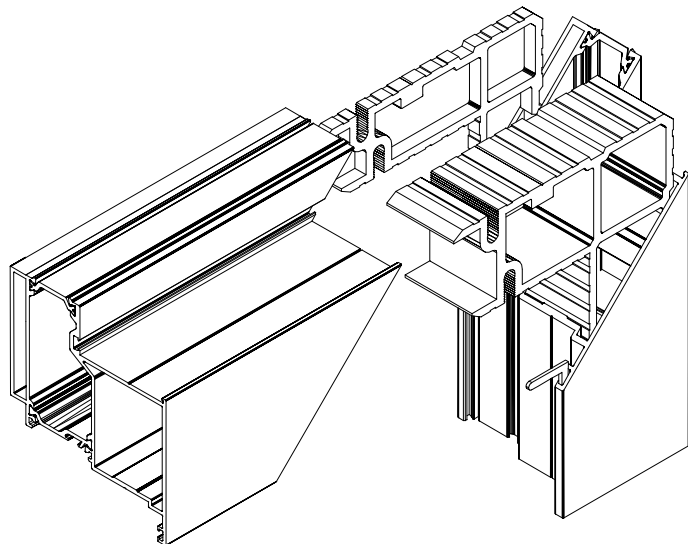
- | | |
|----|-------------------------|
| 1. | STROJNO UPREŠAVANJE |
| 2. | RUČNO UPREŠAVANJE |
| 3. | VIJČANA VEZA |
| 1. | MACHINE CORNER CRIMPING |
| 2. | MANUAL CORNER CRIMPING |
| 3. | SCREW CONNECTION |

- VIJČANA VEZA PROFILA + UTISKIVANJE STJENKE U KUTNIK
- ALUMINIUM PROFILE SCREW CONNECTION AND CORNER CRIMPING



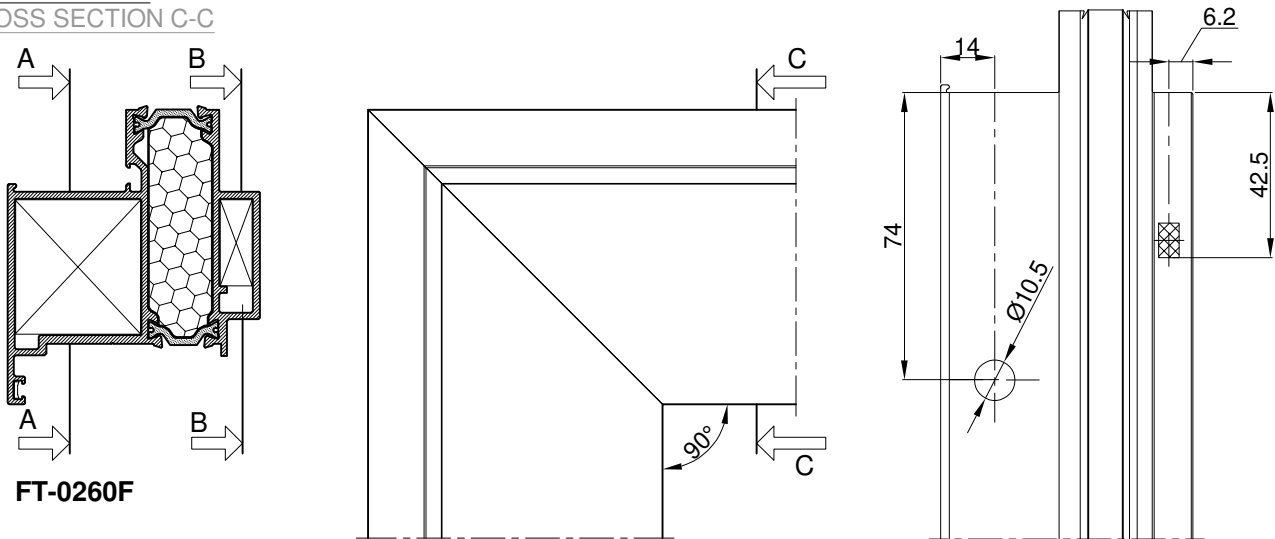
PRESJEK A-A
CROSS SECTION A-A

- | | |
|----|-------------------------|
| 1. | STROJNO UPREŠAVANJE |
| 2. | RUČNO UPREŠAVANJE |
| 3. | VIJČANA VEZA |
| 1. | MACHINE CORNER CRIMPING |
| 2. | MANUAL CORNER CRIMPING |
| 3. | SCREW CONNECTION |

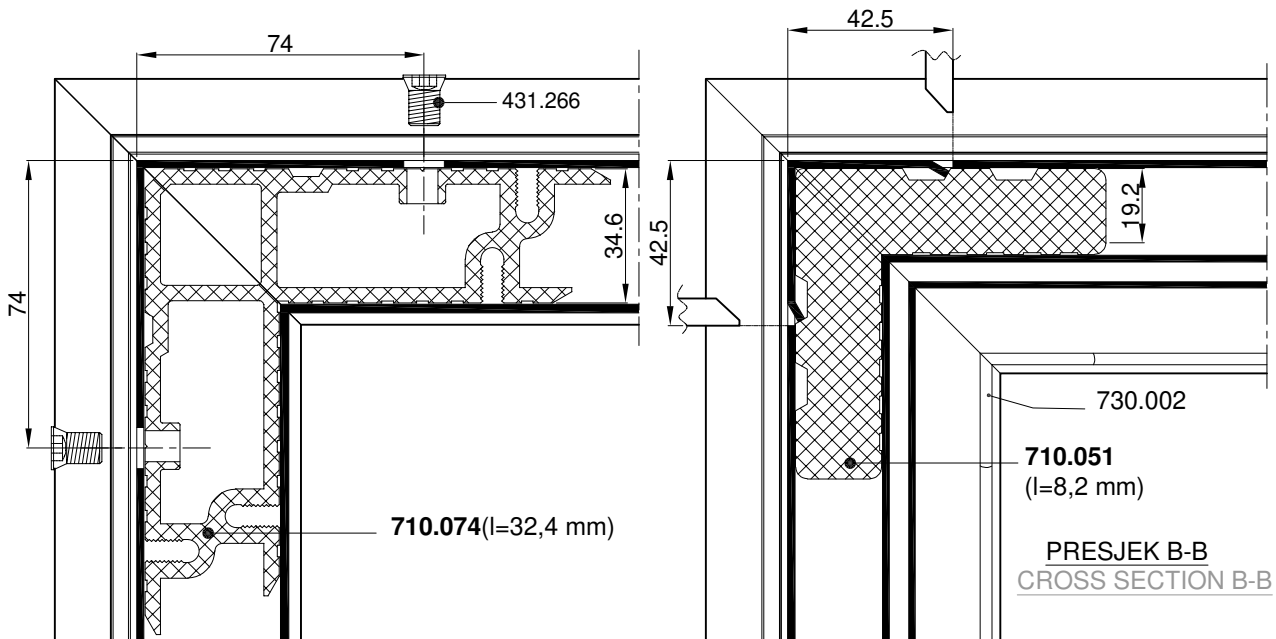


- VIJČANA VEZA PROFILA + UTISKIVANJE STJENKE U KUTNIK
- ALUMINIUM PROFILE SCREW CONNECTION AND CORNER CRIMPING

PRESJEK C-C
CROSS SECTION C-C

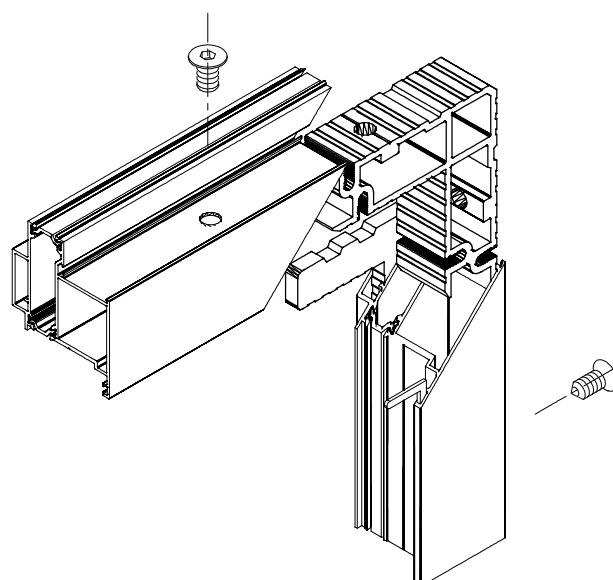


FT-0260F



PRESJEK A-A
CROSS SECTION A-A

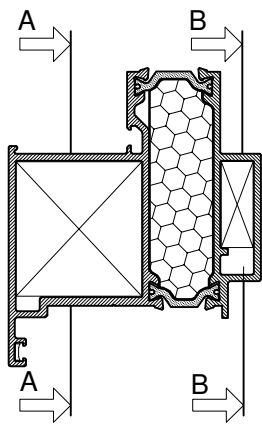
PRESJEK B-B
CROSS SECTION B-B



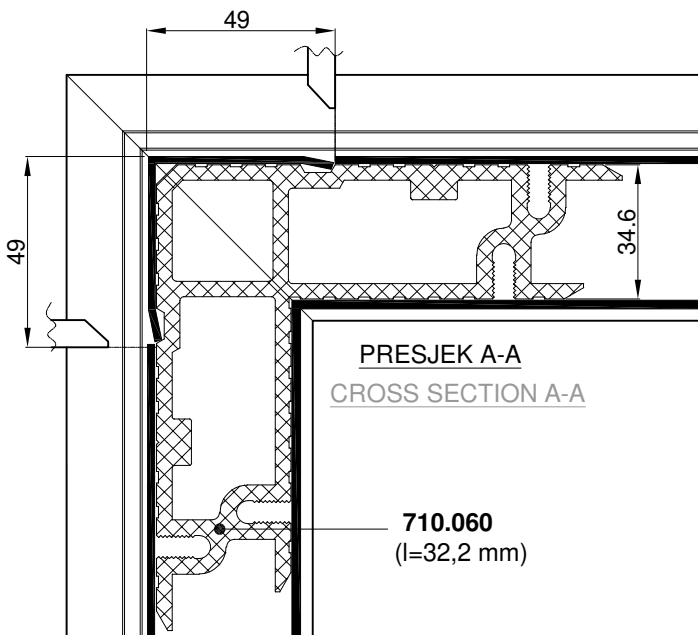
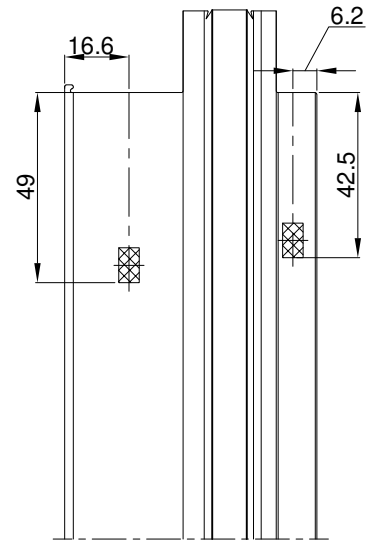
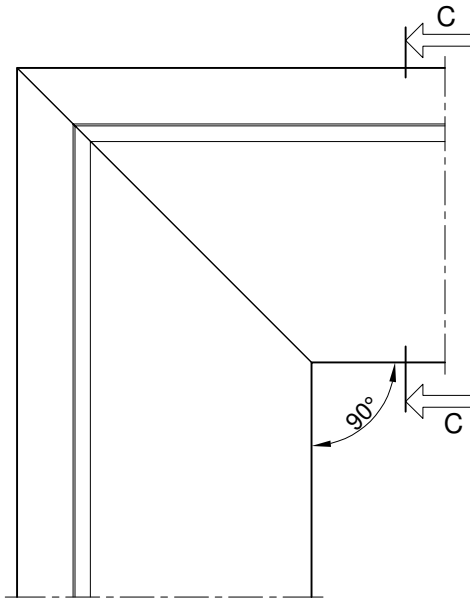
- | |
|--|
| <ol style="list-style-type: none"> 1. STROJNO UPREŠAVANJE 2. RUČNO UPREŠAVANJE 3. VIJČANA VEZA <ol style="list-style-type: none"> 1. MACHINE CORNER CRIMPING 2. MANUAL CORNER CRIMPING 3. SCREW CONNECTION |
|--|

- UPREŠAVANJE STJENKE PROFILA U KUTNIK
- ALUMINIUM PROFILE CORNER CRIMPING

PRESJEK C-C
CROSS SECTION C-C

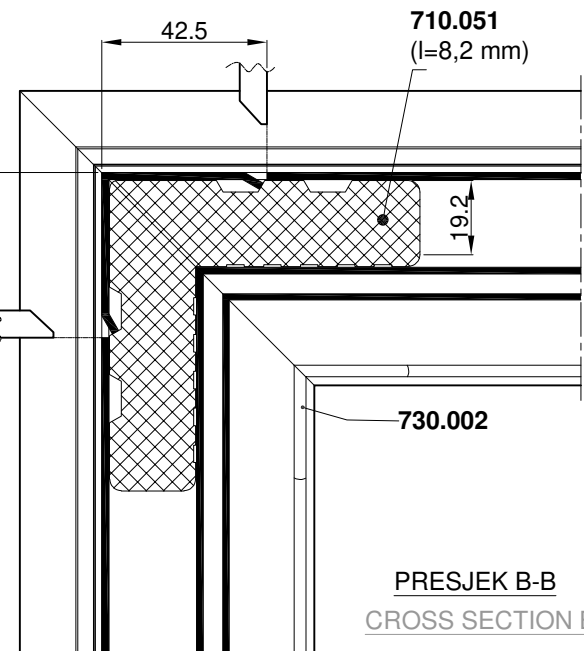


FT-0260F

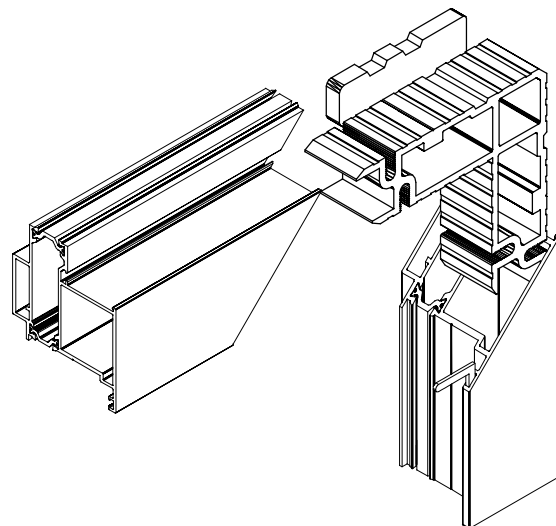


PRESJEK A-A
CROSS SECTION A-A

710.060
(l=32,2 mm)



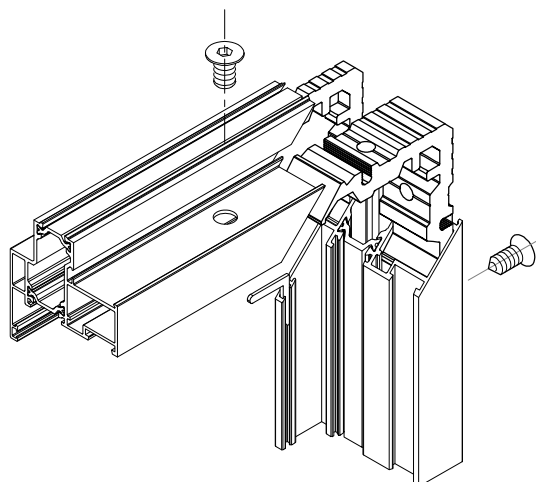
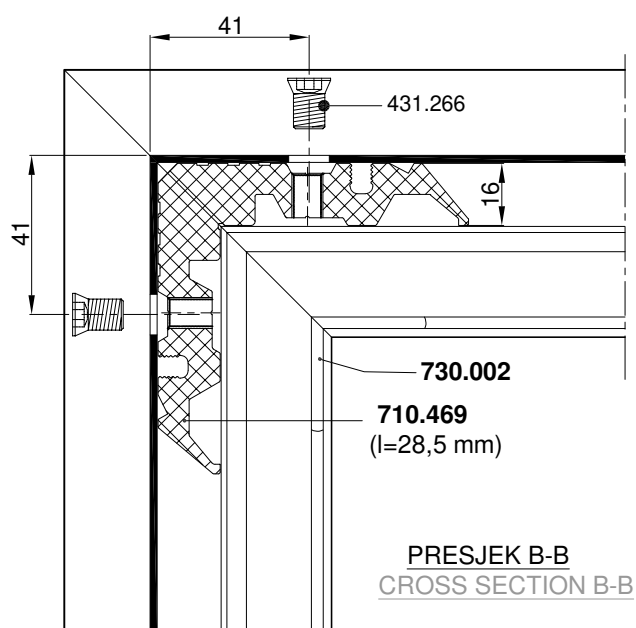
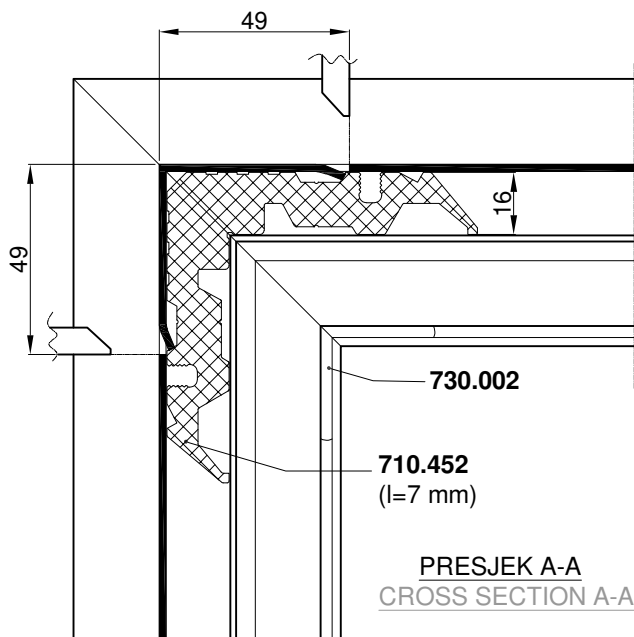
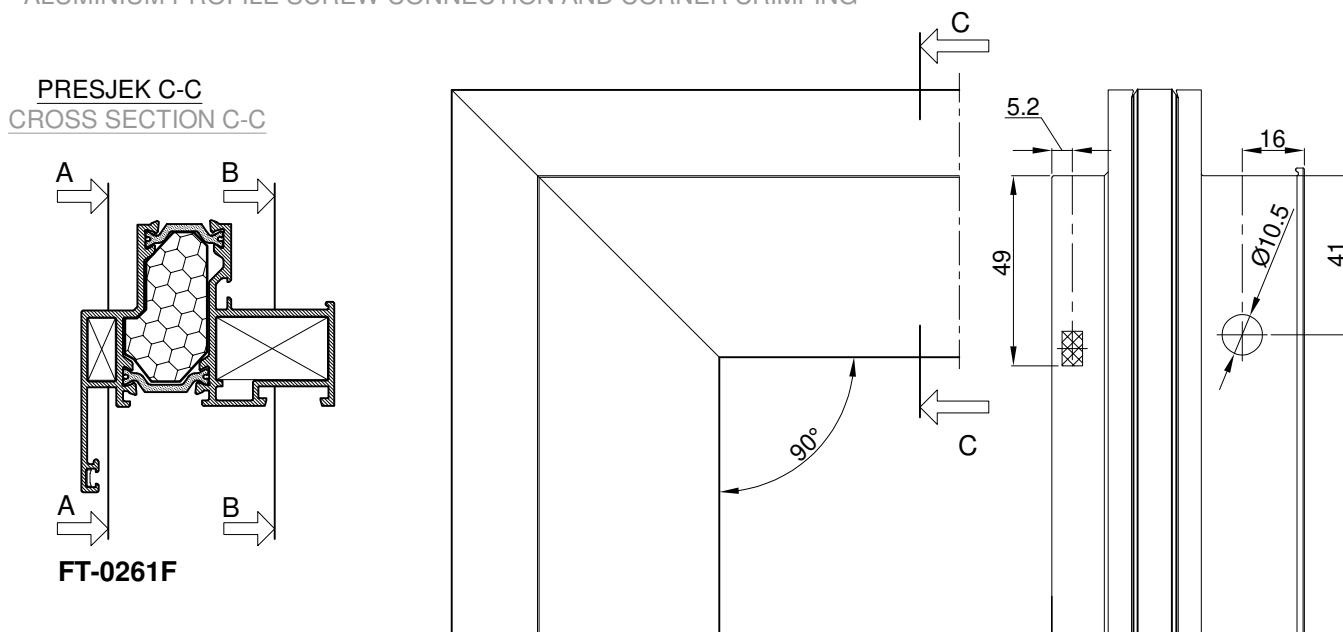
PRESJEK B-B
CROSS SECTION B-B



1. STROJNO UPREŠAVANJE
2. RUČNO UPREŠAVANJE
1. MACHINE CORNER CRIMPING
2. MANUAL CORNER CRIMPING

- VIJČANA VEZA PROFILA + UTISKIVANJE STJENKE U KUTNIK
- ALUMINIUM PROFILE SCREW CONNECTION AND CORNER CRIMPING

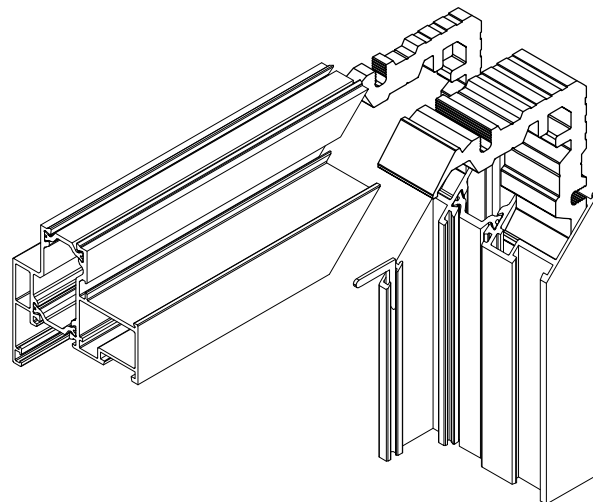
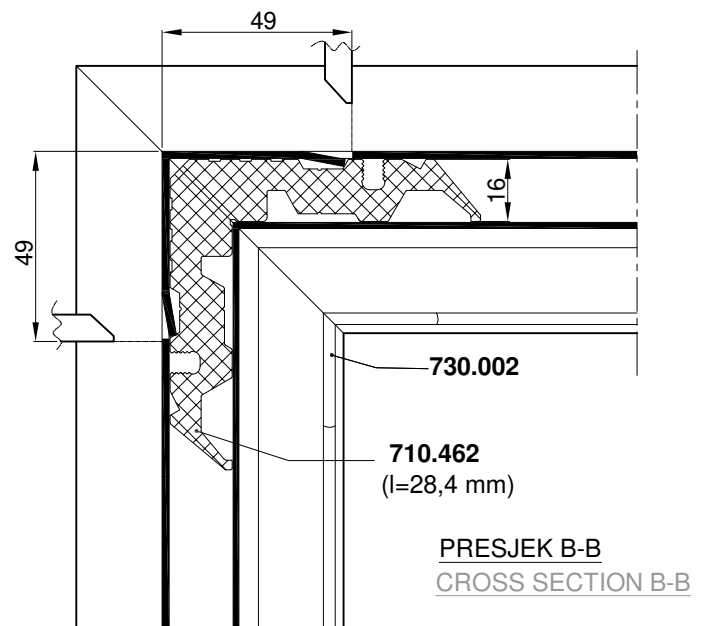
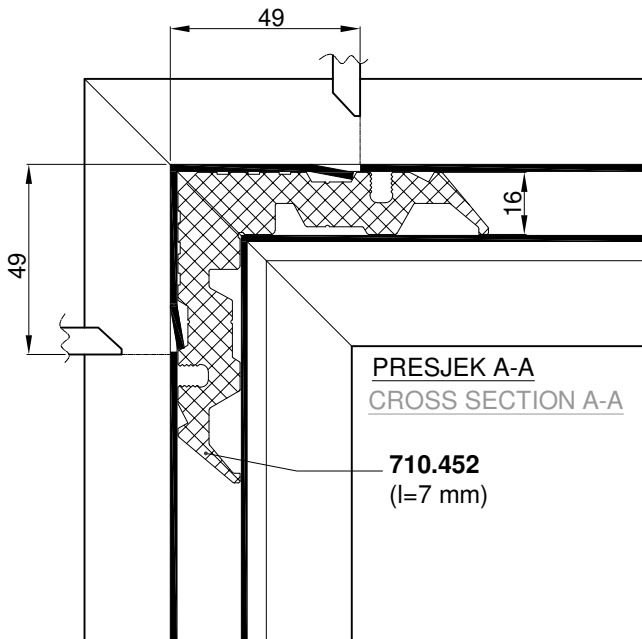
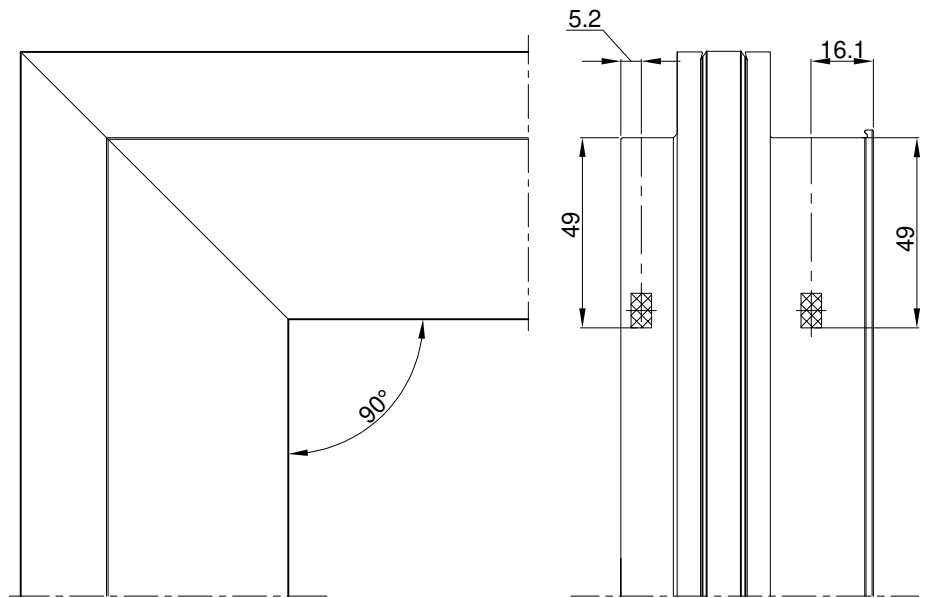
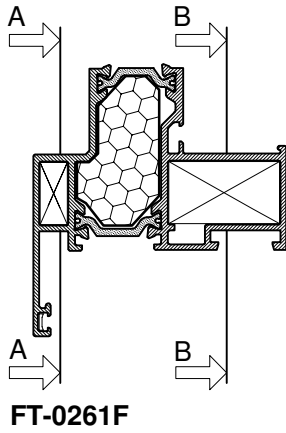
PRESJEK C-C
CROSS SECTION C-C



- | |
|---|
| <ol style="list-style-type: none"> 1. STROJNO UPREŠAVANJE 2. RUČNO UPREŠAVANJE 3. VIJČANA VEZA
<ol style="list-style-type: none"> 1. MACHINE CORNER CRIMPING 2. MANUAL CORNER CRIMPING 3. SCREW CONNECTION |
|---|

- UPREŠAVANJE STJENKE PROFILA U KUTNIK
- ALUMINIUM PROFILE CORNER CRIMPING

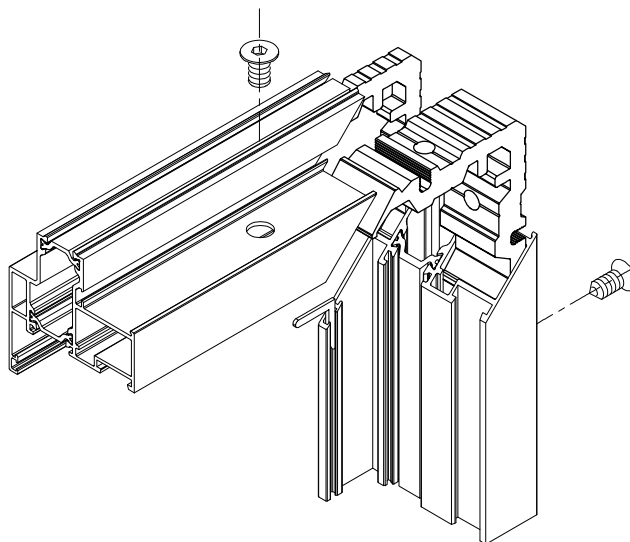
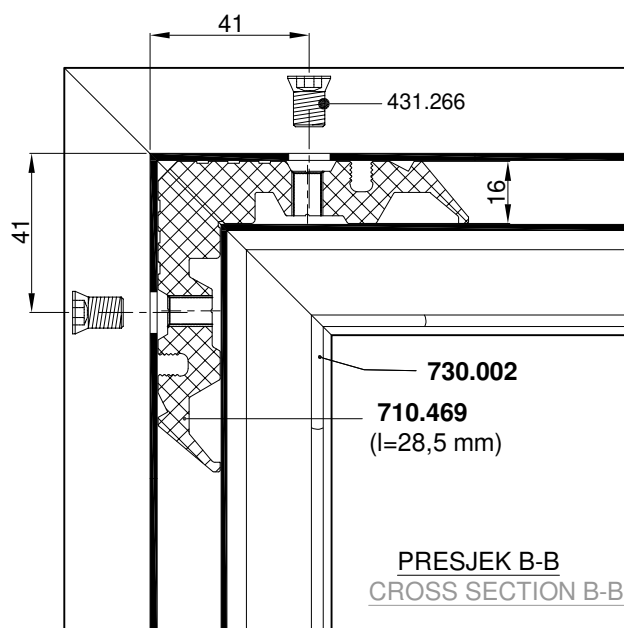
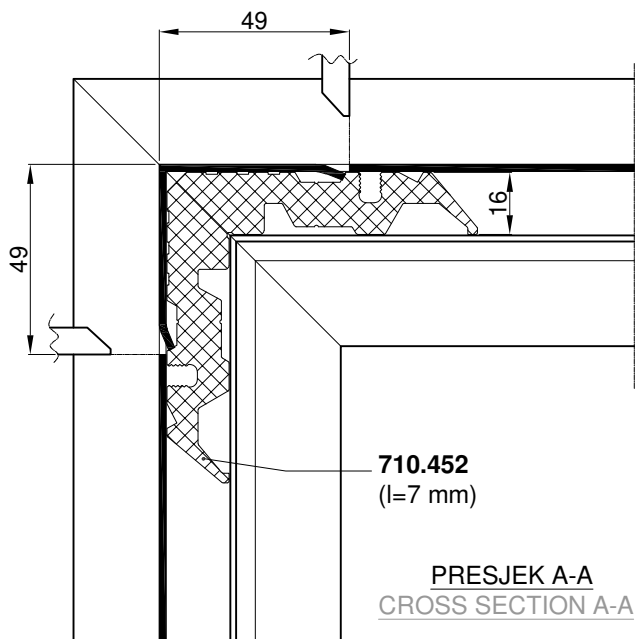
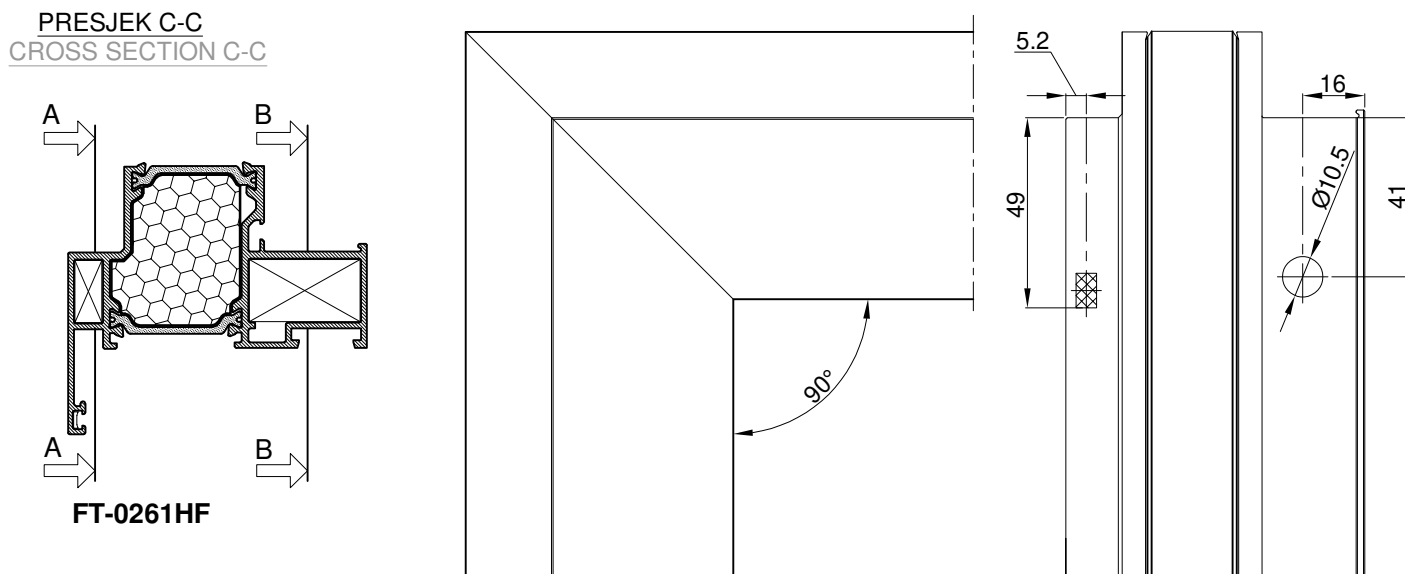
PRESJEK C-C
CROSS SECTION C-C



- | |
|--|
| <ol style="list-style-type: none"> 1. STROJNO UPREŠAVANJE 2. RUČNO UPREŠAVANJE <ol style="list-style-type: none"> 1. MACHINE CORNER CRIMPING 2. MANUAL CORNER CRIMPING |
|--|

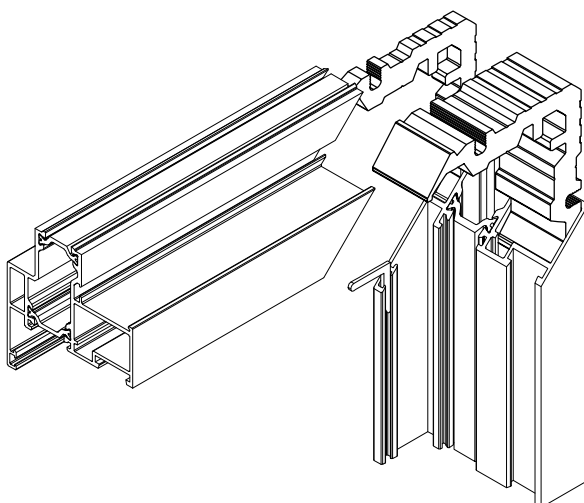
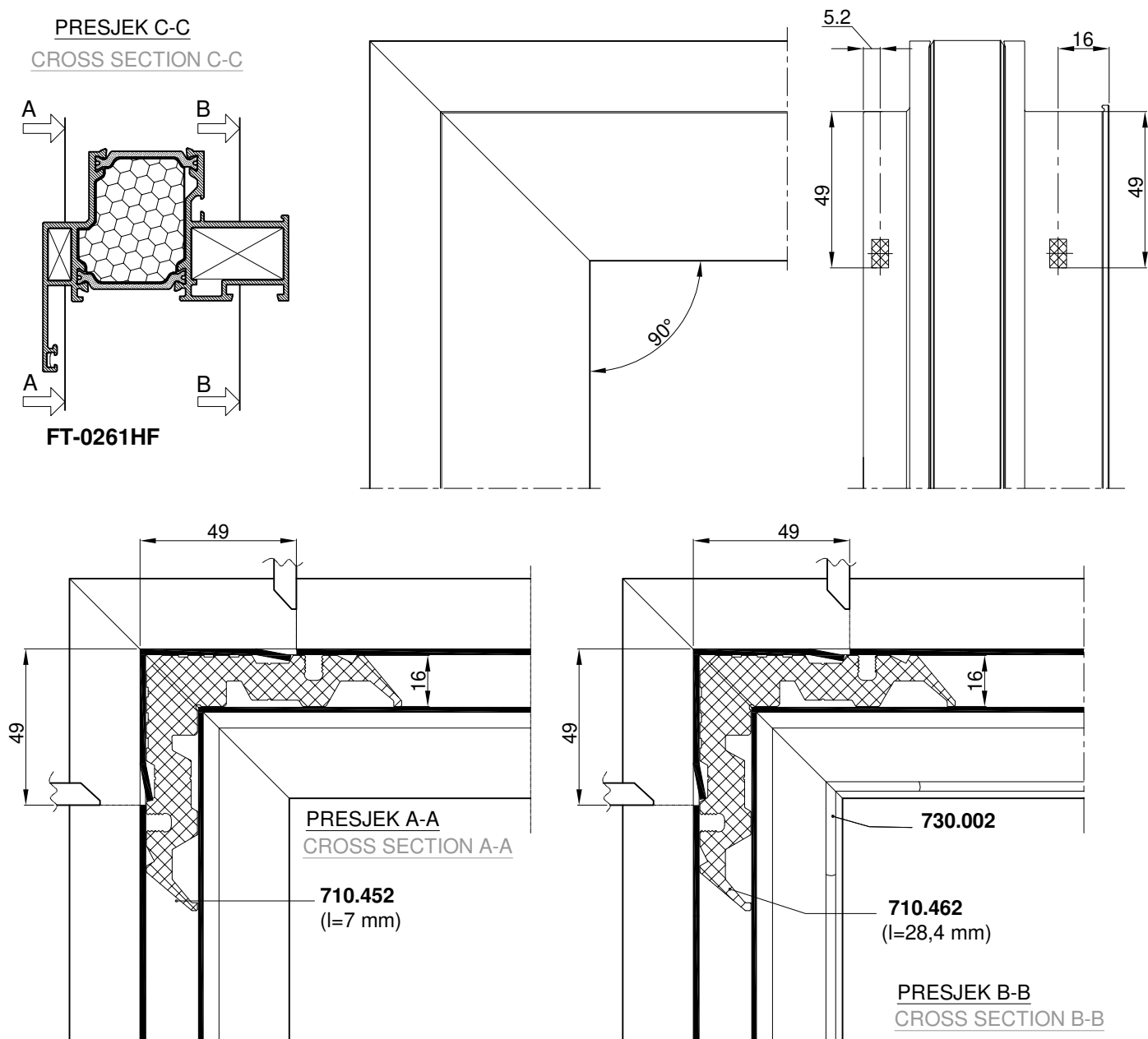
- VIJČANA VEZA PROFILA + UTISKIVANJE STJENKE U KUTNIK
- ALUMINIUM PROFILE SCREW CONNECTION AND CORNER CRIMPING

PRESJEK C-C
CROSS SECTION C-C



- | |
|--|
| <ol style="list-style-type: none"> 1. STROJNO UPREŠAVANJE 2. RUČNO UPREŠAVANJE 3. VIJČANA VEZA <ol style="list-style-type: none"> 1. MACHINE CORNER CRIMPING 2. MANUAL CORNER CRIMPING 3. SCREW CONNECTION |
|--|

- UPREŠAVANJE STJENKE PROFILA U KUTNIK
- ALUMINIUM PROFILE CORNER CRIMPING

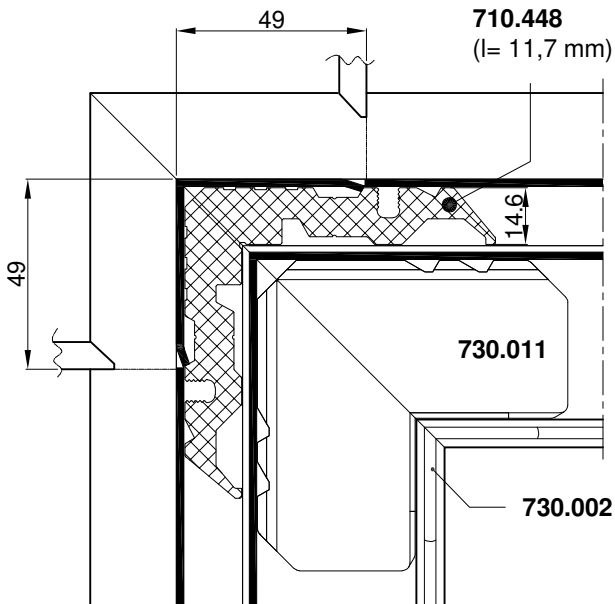
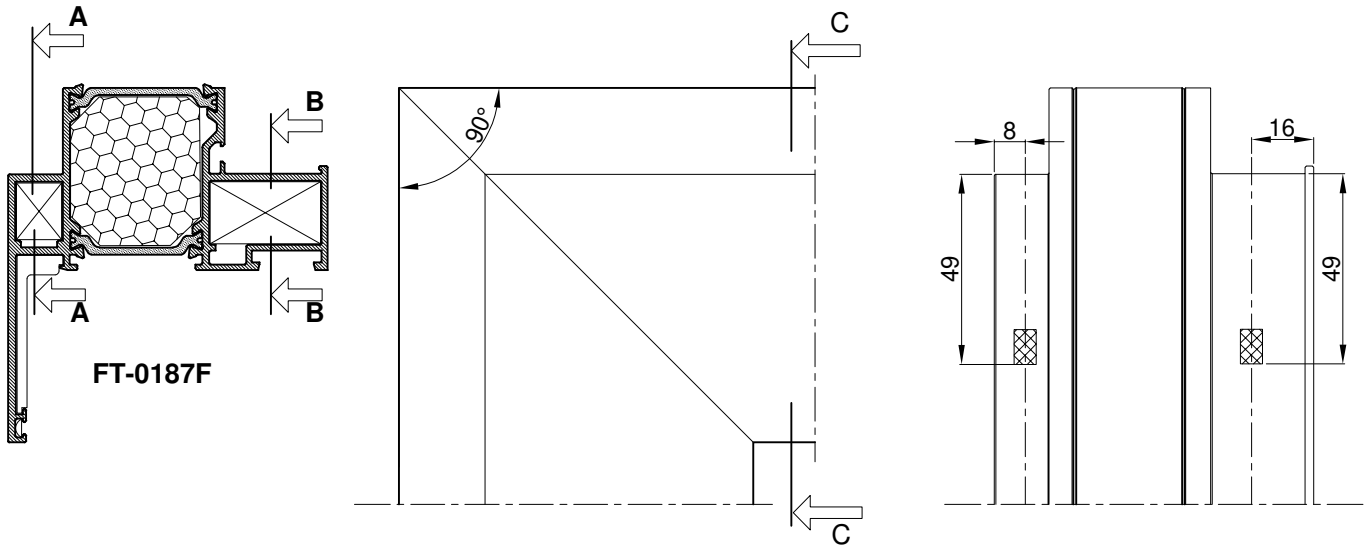


- | |
|--|
| <ol style="list-style-type: none"> 1. STROJNO UPREŠAVANJE 2. RUČNO UPREŠAVANJE <ol style="list-style-type: none"> 1. MACHINE CORNER CRIMPING 2. MANUAL CORNER CRIMPING |
|--|

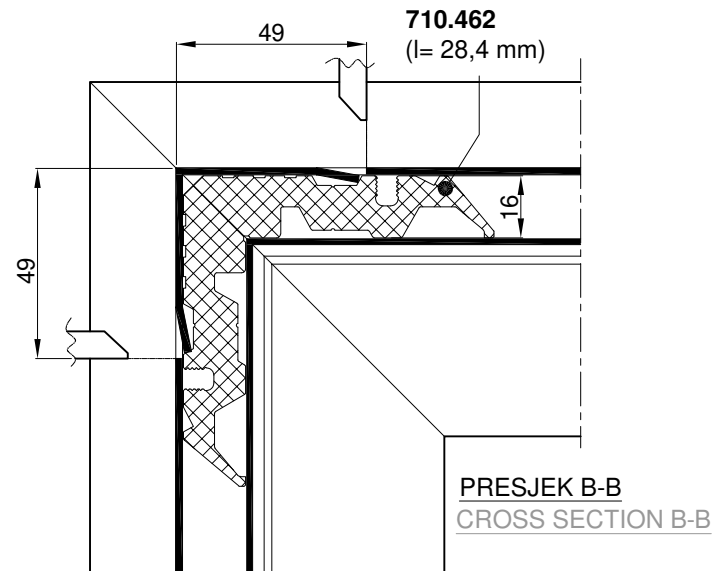
- UPREŠAVANJE STJENKE PROFILA U KUTNIK
- ALUMINIUM PROFILE CORNER CRIMPING

PRESJEK C-C

CROSS SECTION C-C

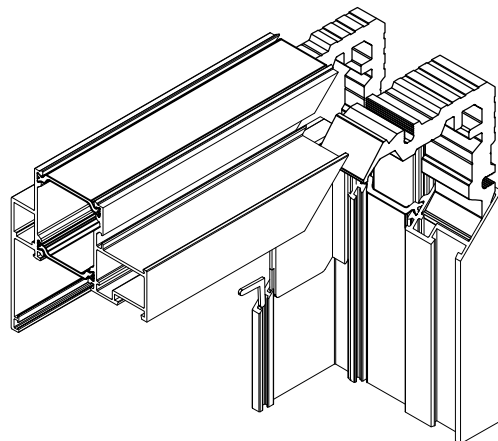


PRESJEK A-A
CROSS SECTION A-A



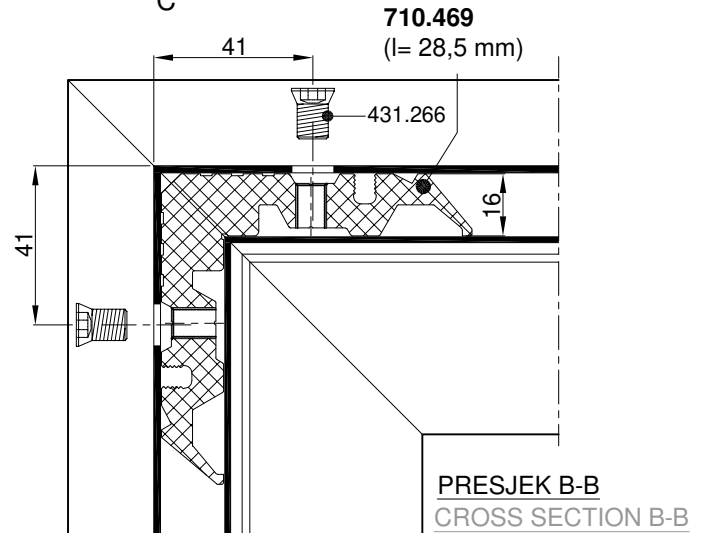
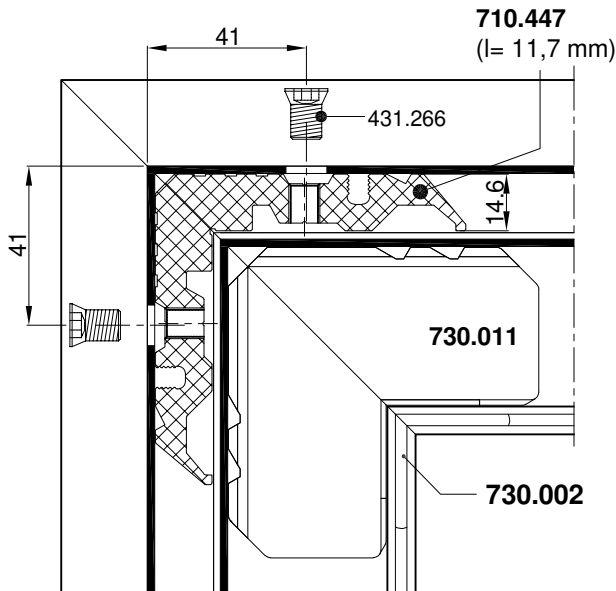
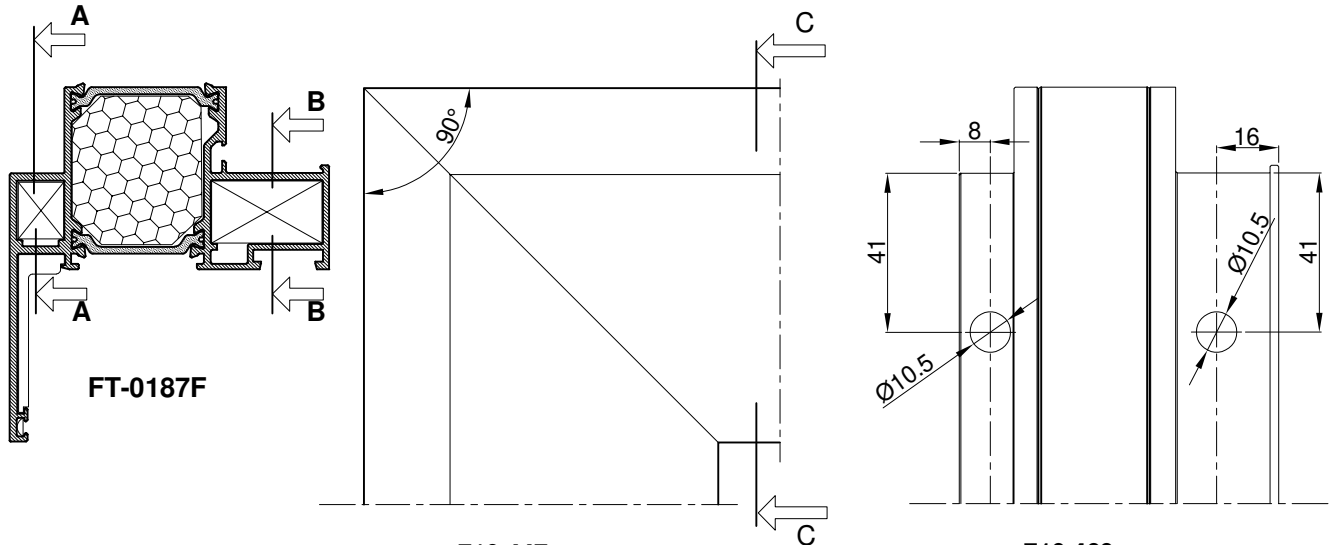
PRESJEK B-B
CROSS SECTION B-B

- | | |
|----|-------------------------|
| 1. | STROJNO UPREŠAVANJE |
| 2. | RUČNO UPREŠAVANJE |
| 1. | MACHINE CORNER CRIMPING |
| 2. | MANUAL CORNER CRIMPING |

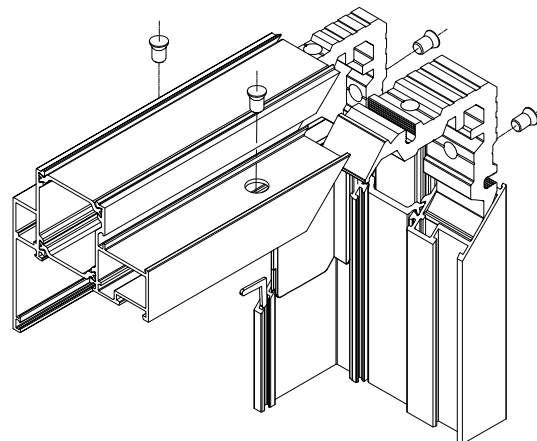


- VIJČANA VEZA PROFILA
- ALUMINIUM PROFILE SCREW CONNECTION

PRESJEK C-C
CROSS SECTION C-C



PRESJEK A-A
CROSS SECTION A-A

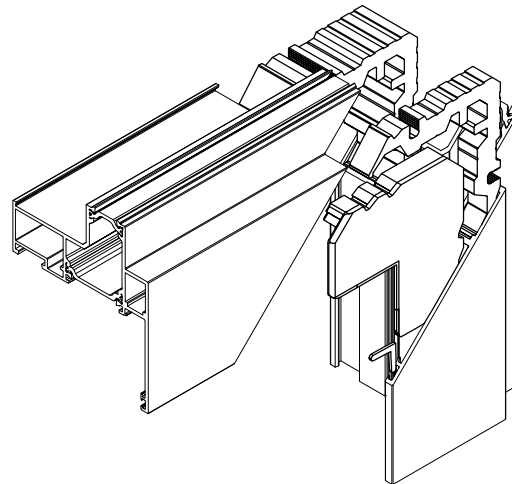
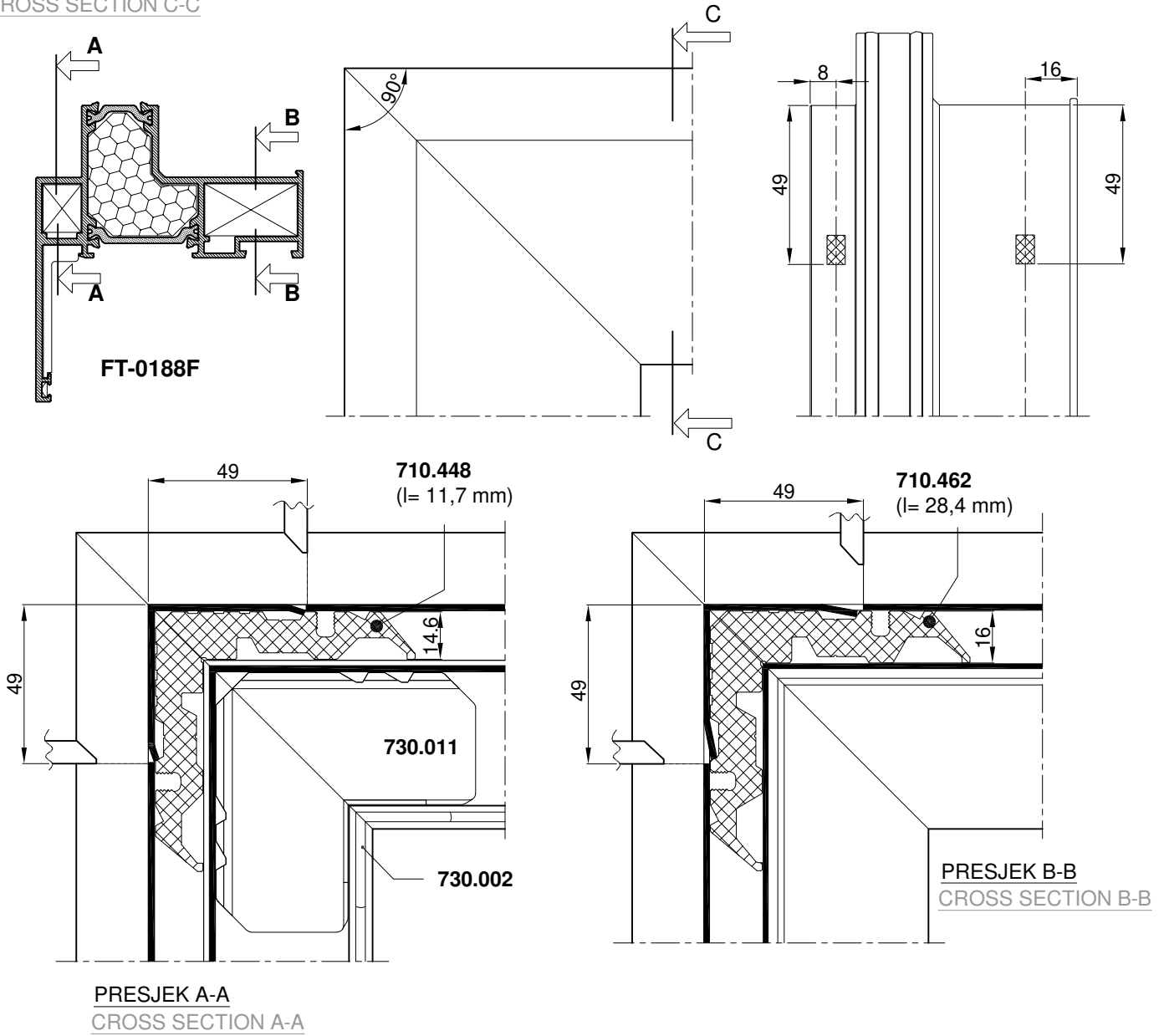


- | |
|---------------------|
| 1. VIJČANA VEZA |
| 1. SCREW CONNECTION |

- UPREŠAVANJE STJENKE PROFILA U KUTNIK
- ALUMINIUM PROFILE CORNER CRIMPING

PRESJEK C-C

CROSS SECTION C-C

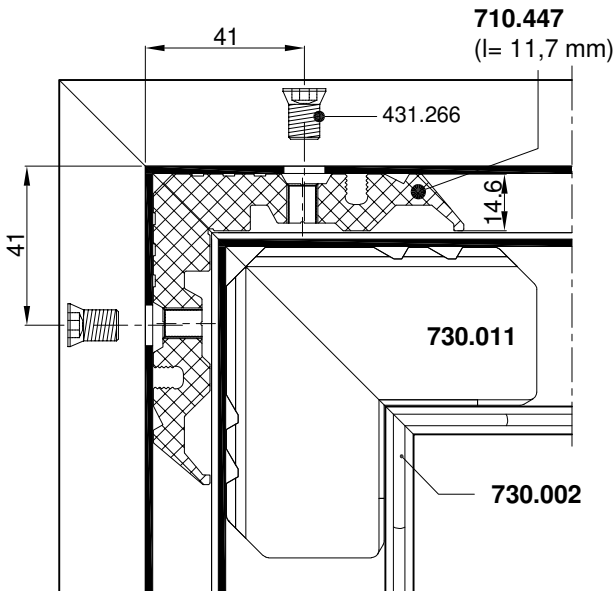
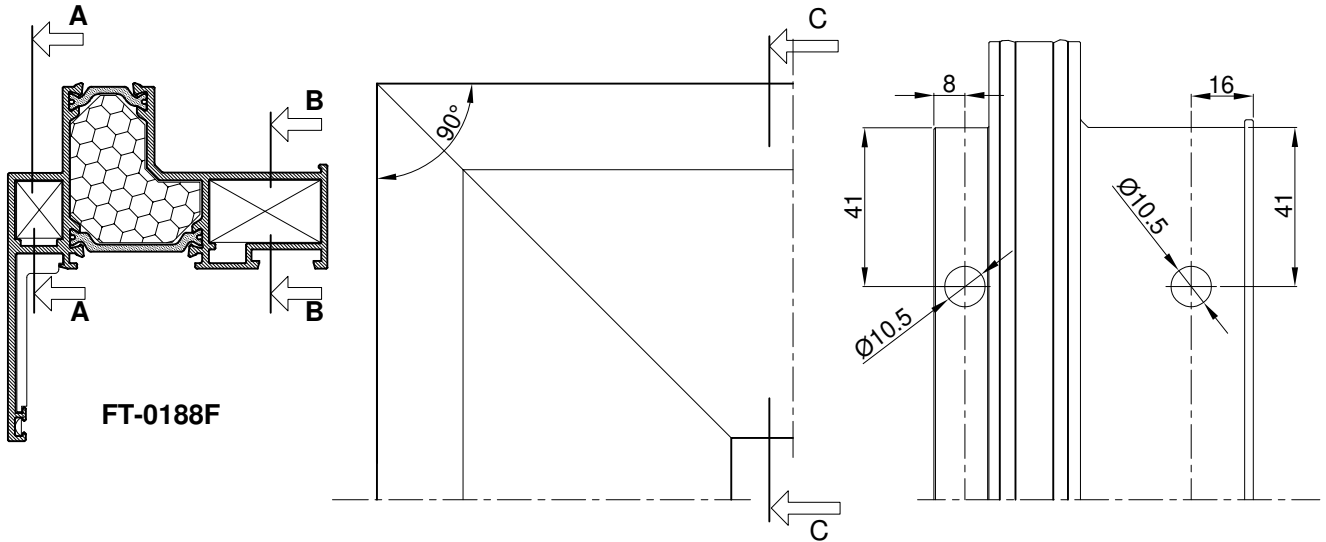


- | | |
|----|-------------------------|
| 1. | STROJNO UPREŠAVANJE |
| 2. | RUČNO UPREŠAVANJE |
| 1. | MACHINE CORNER CRIMPING |
| 2. | MANUAL CORNER CRIMPING |

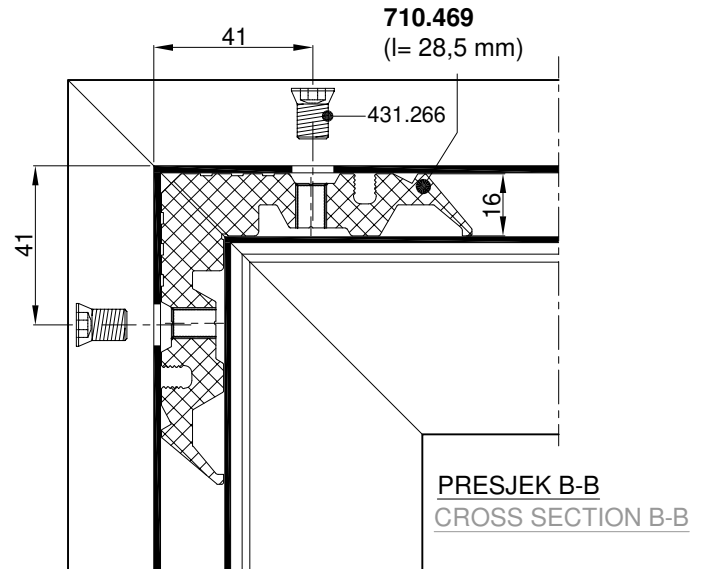
- VIJČANA VEZA PROFILA
- ALUMINIUM PROFILE SCREW CONNECTION

PRESJEK C-C

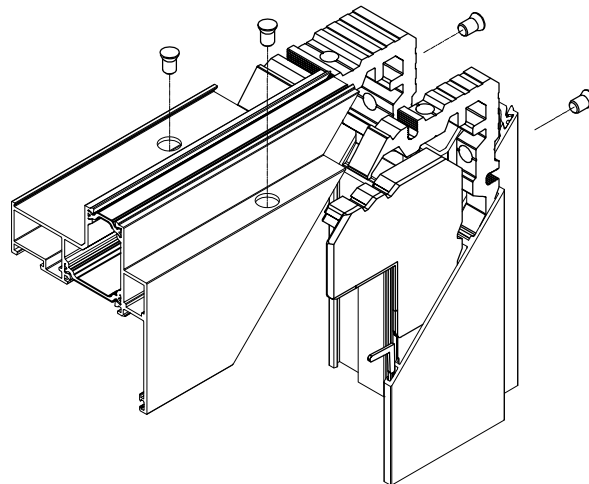
CROSS SECTION C-C



PRESJEK A-A
CROSS SECTION A-A

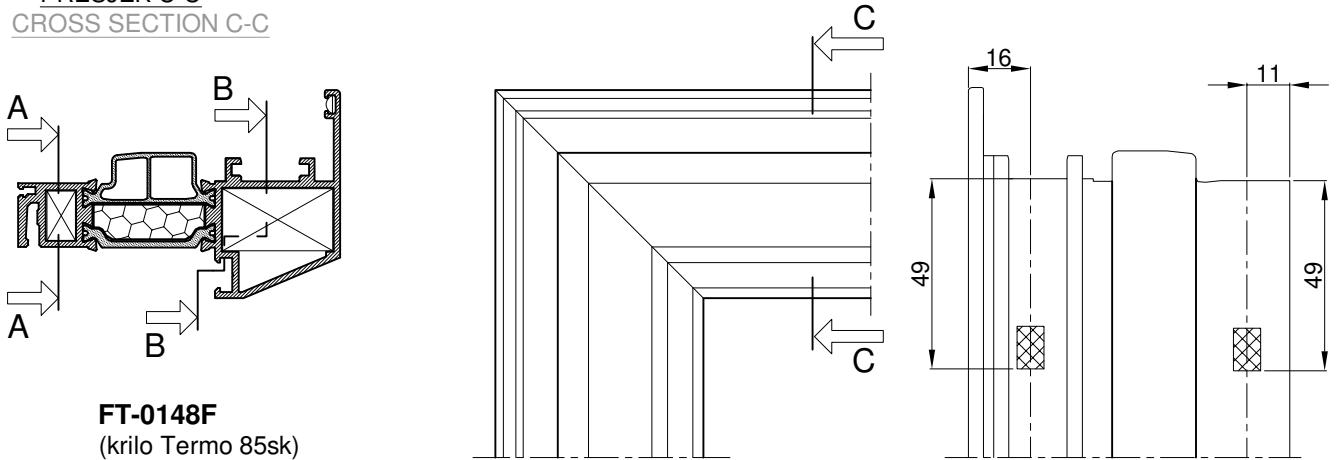


- | | |
|----|-------------------------|
| 1. | STROJNO UPREŠAVANJE |
| 2. | RUČNO UPREŠAVANJE |
| 3. | VIJČANA VEZA |
| 1. | MACHINE CORNER CRIMPING |
| 2. | MANUAL CORNER CRIMPING |
| 3. | SCREW CONNECTION |

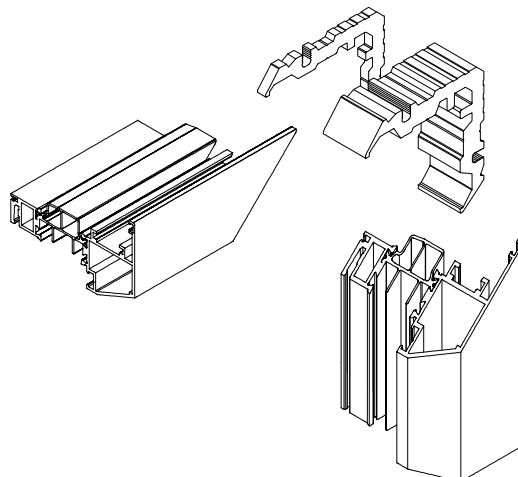
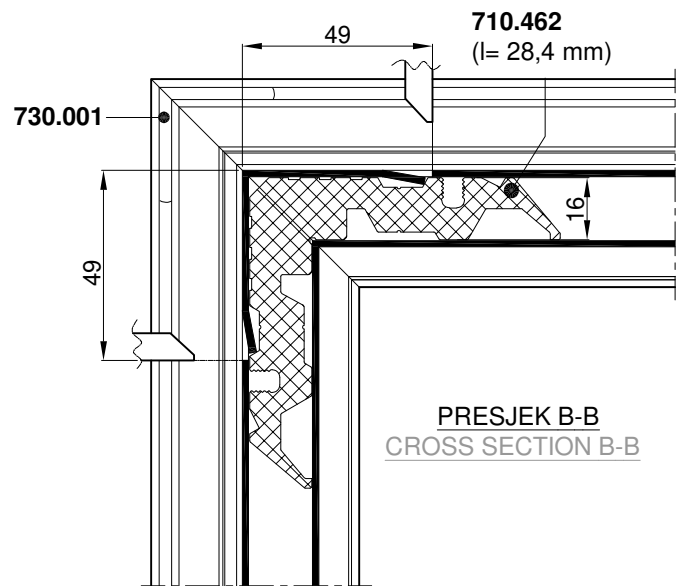
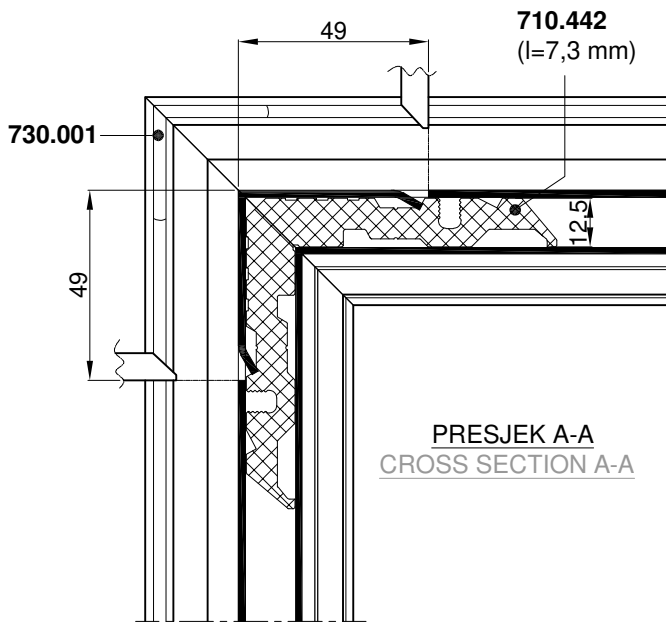


- UPREŠAVANJE STJENKE PROFILA U KUTNIK
- ALUMINIUM PROFILE CORNER CRIMPING

PRESJEK C-C
CROSS SECTION C-C



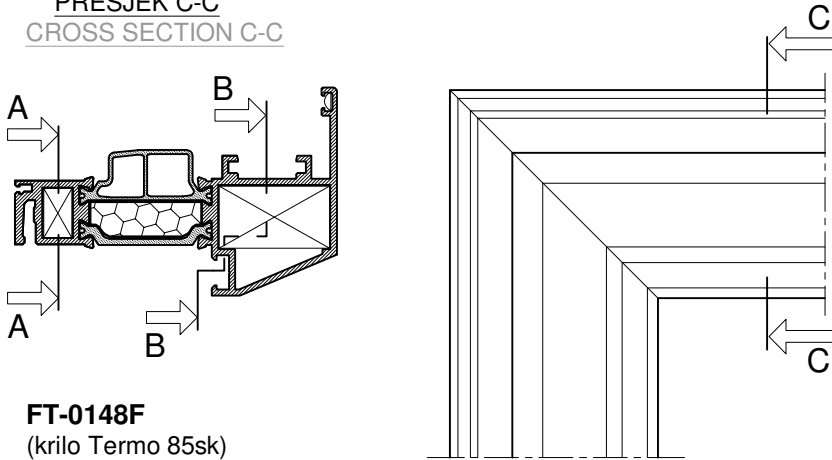
FT-0148F
(kriilo Termo 85sk)



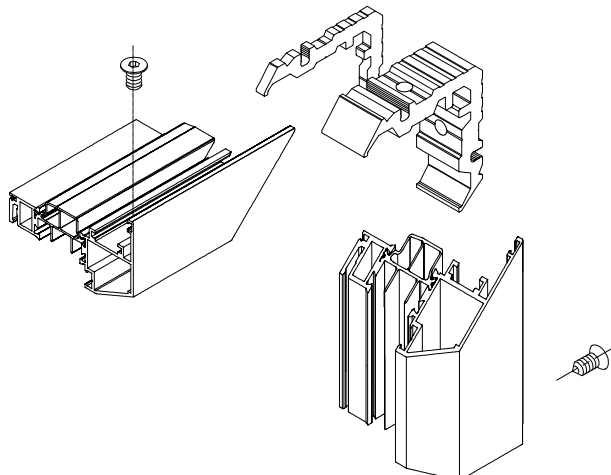
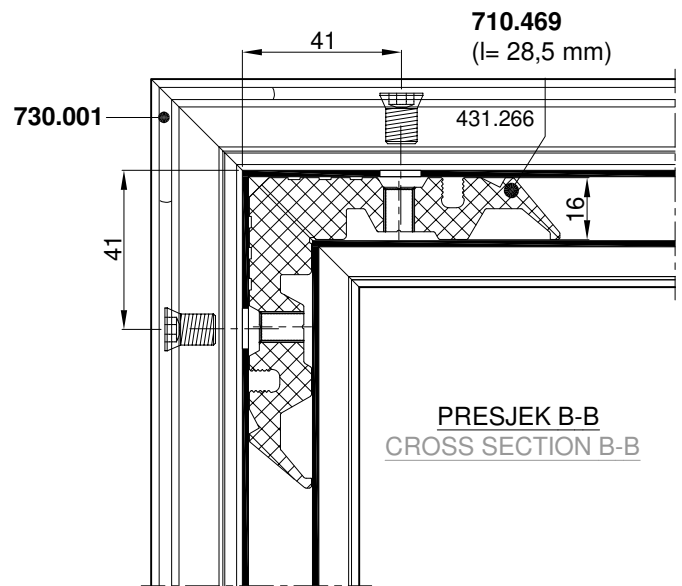
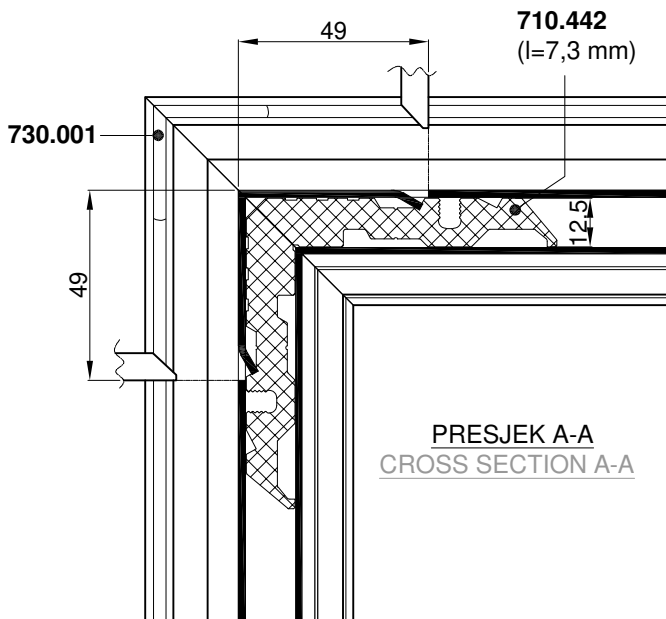
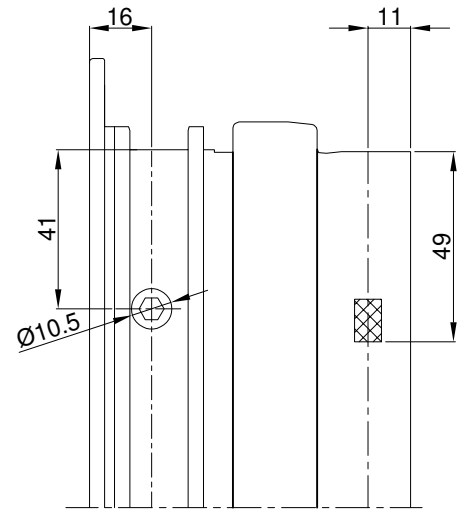
- | | |
|----|-------------------------|
| 1. | STROJNO UPREŠAVANJE |
| 2. | RUČNO UPREŠAVANJE- |
| 1. | MACHINE CORNER CRIMPING |
| 2. | MANUAL CORNER CRIMPING |

- VIJČANA VEZA PROFILA + UTISKIVANJE STJENKE U KUTNIK
- ALUMINIUM PROFILE SCREW CONNECTION AND CORNER CRIMPING

PRESJEK C-C
CROSS SECTION C-C



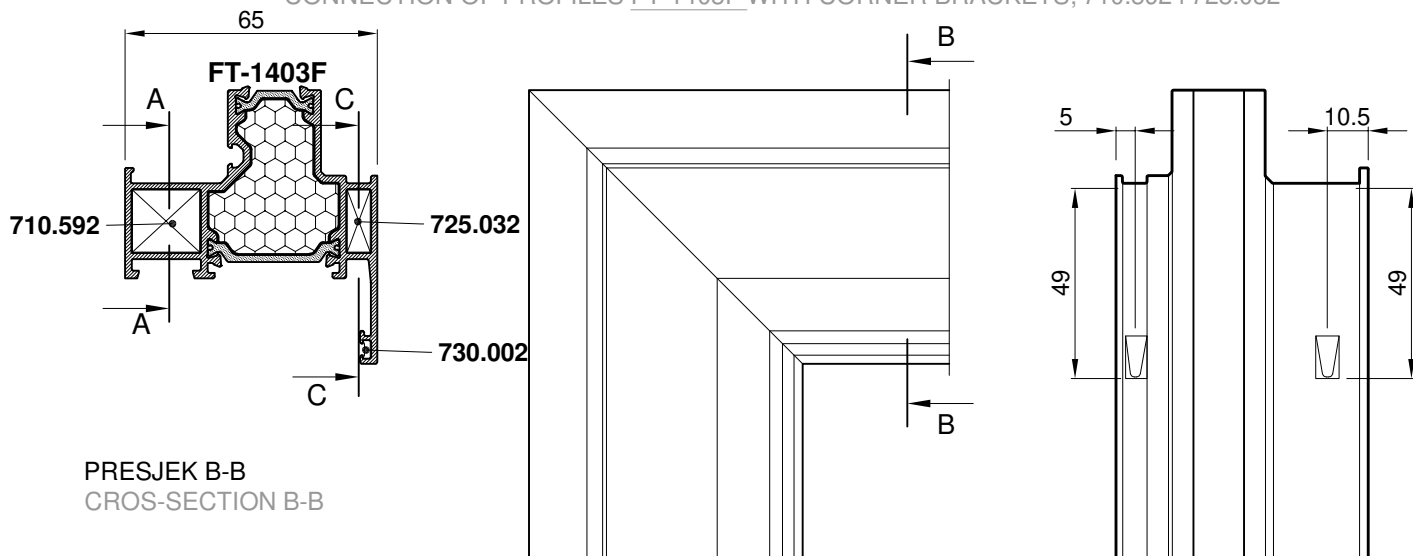
FT-0148F
(krilo Termo 85sk)



- | |
|--|
| <ol style="list-style-type: none"> 1. STROJNO UPREŠAVANJE 2. RUČNO 3. VIJČANA VEZA <ol style="list-style-type: none"> 1. MACHINE CORNER CRIMPING 2. MANUAL CORNER CRIMPING 3. SCREW CONNECTION |
|--|

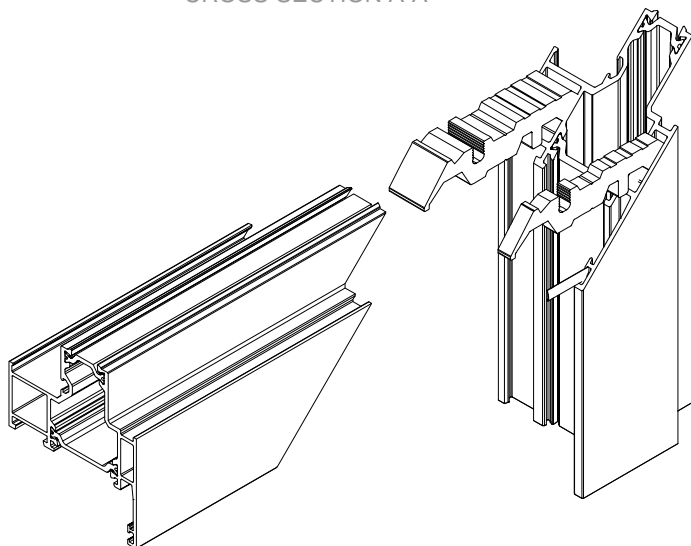
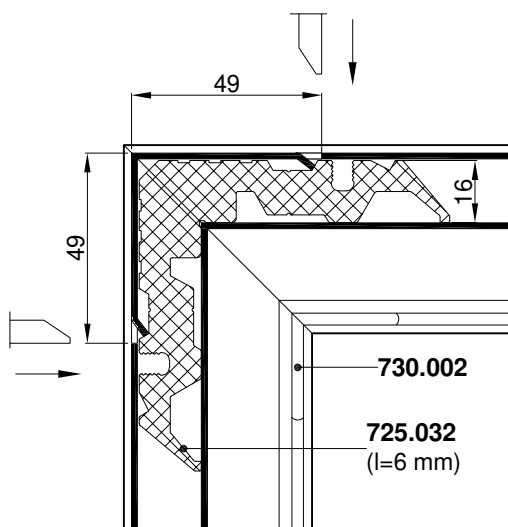
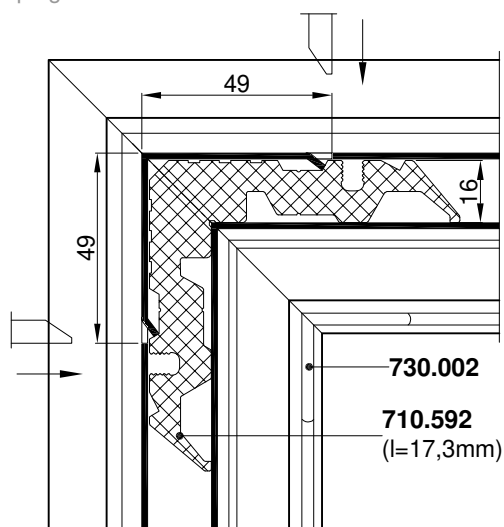
SPAJANJE PROFILA FT-1403F KUTNICIMA; 710.592 i 725.032

CONNECTION OF PROFILES FT-1403F WITH CORNER BRACKETS; 710.592 i 725.032



Spajanje kutnikom 710.592
uprešavanjem stijenke profila
prema kutniku
Corn. brac. connection 710.592
aluminium profile corner
crimping

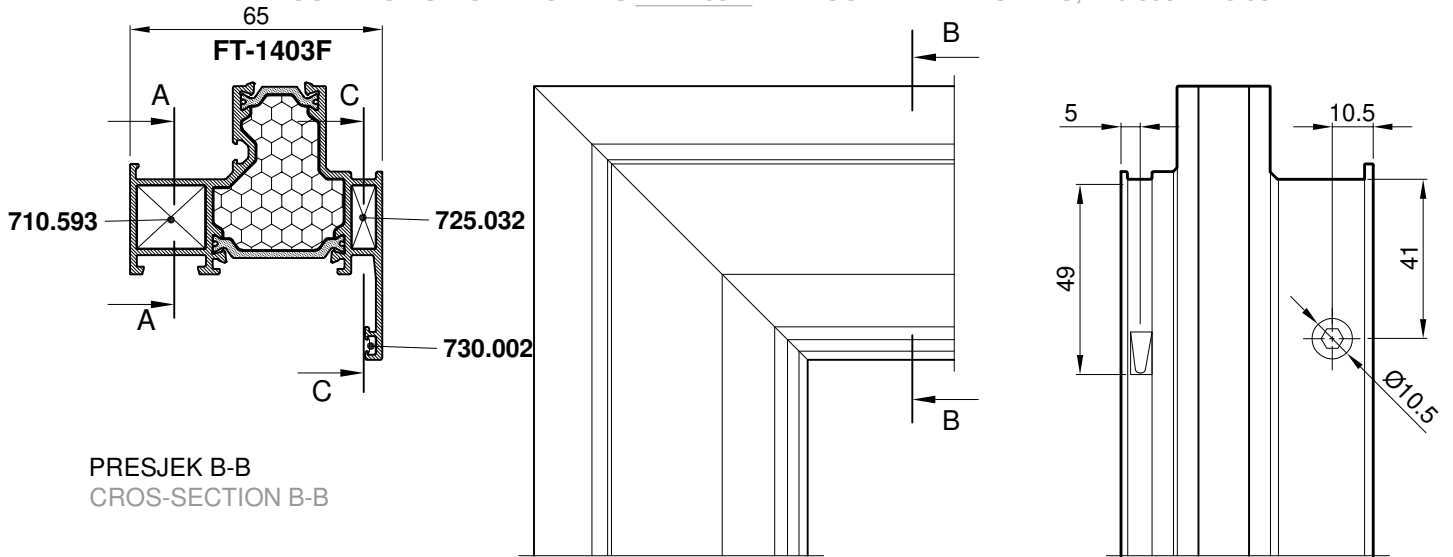
Spajanje kutnikom 725.032
uprešavanjem stijenke profila
prema kutniku
Corn. brac. connection 725.032
aluminium profile corner
crimping



1. STROJNO UPREŠAVANJE
2. RUČNO UPREŠAVANJE-
1. MACHINE CORNER CRIMPING
2. MANUAL CORNER CRIMPING

SPAJANJE PROFILA FT-1403F KUTNICIMA; 710.593 i 725.032

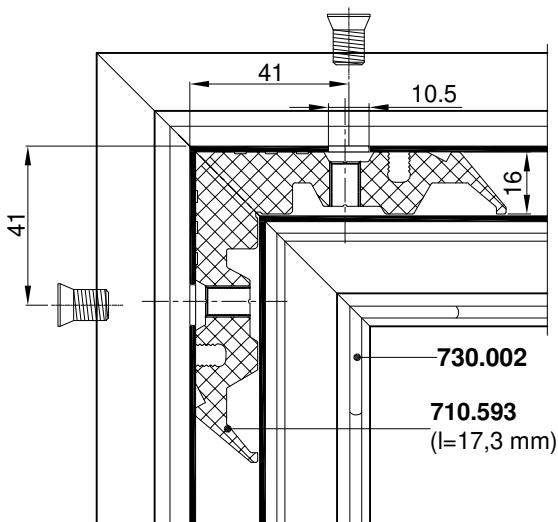
CONNECTION OF PROFILES FT-1403F WITH CORNER BRACKETS; 710.593 i 725.032



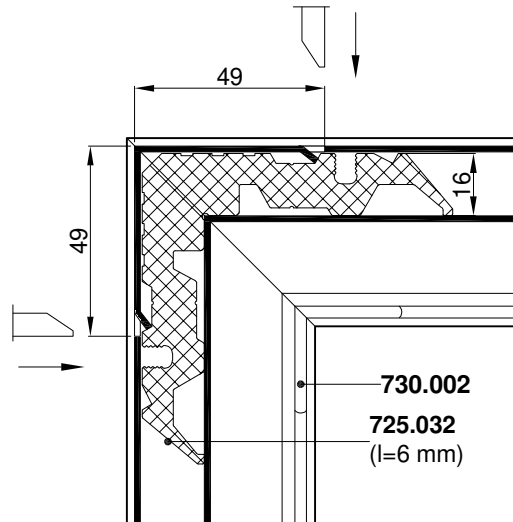
PRESJEK B-B
CROSS-SECTION B-B

Spajanje kutnikom 710.593
vijcima M8x13 -tip Feal-(štanca)
Corner bracket connection 710.593
screws M8x13 -type Feal-(punch)

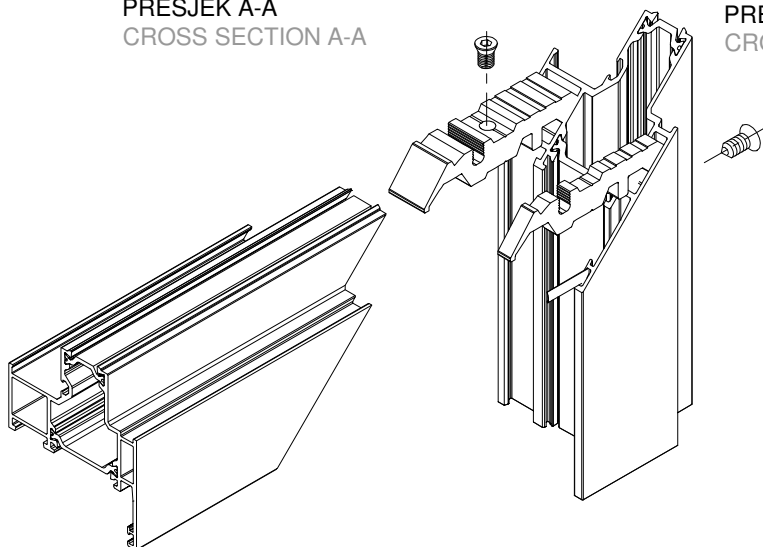
Spajanje kutnikom 725.032
uprešavanjem stijenke profila
prema kutniku
Corn. brac. connection 725.032
aluminium profile corner
crimping



PRESJEK A-A
CROSS SECTION A-A



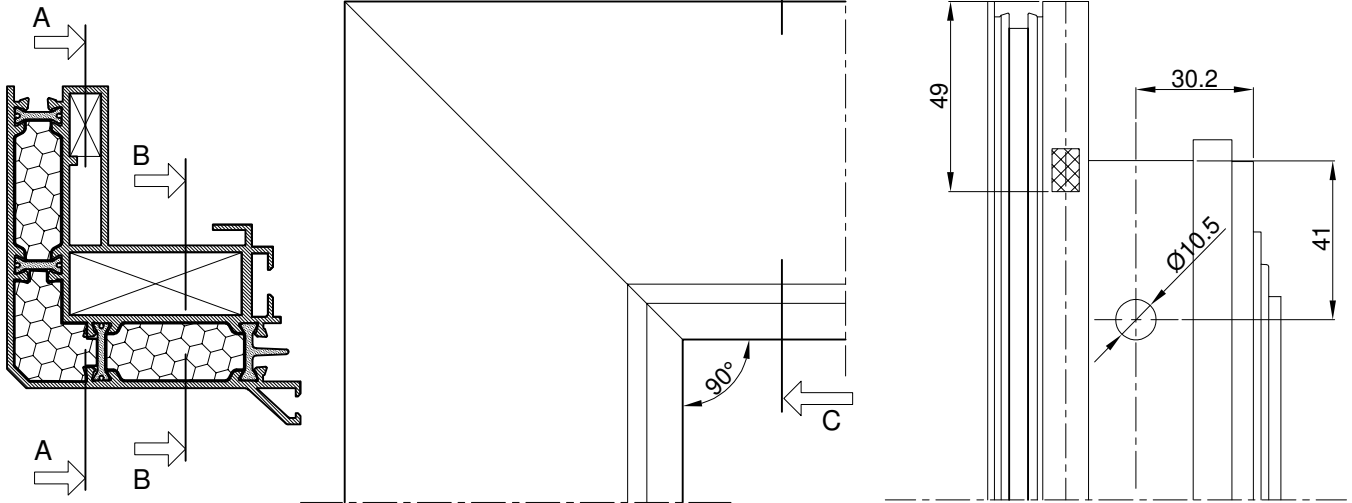
PRESJEK C-C
CROSS SECTION C-C



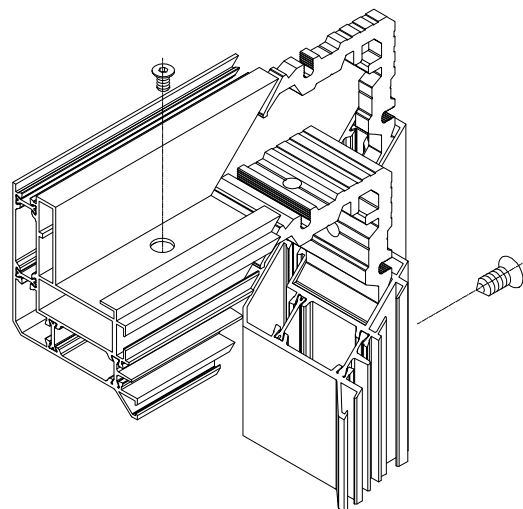
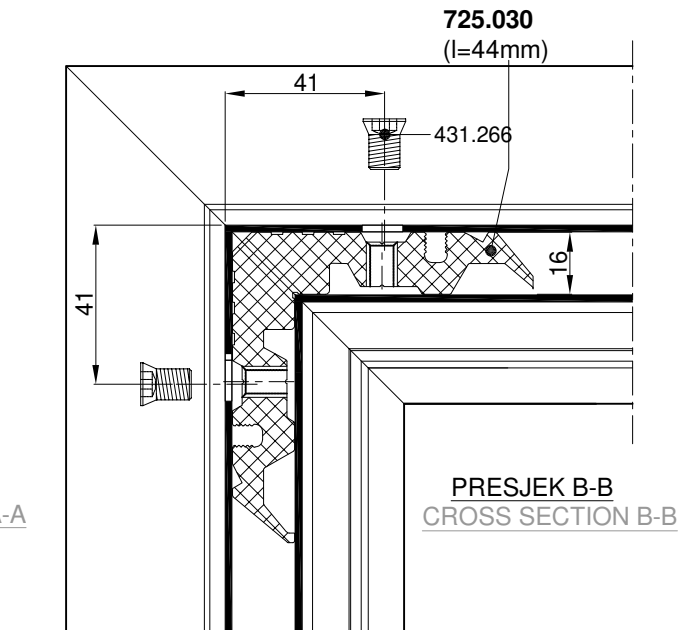
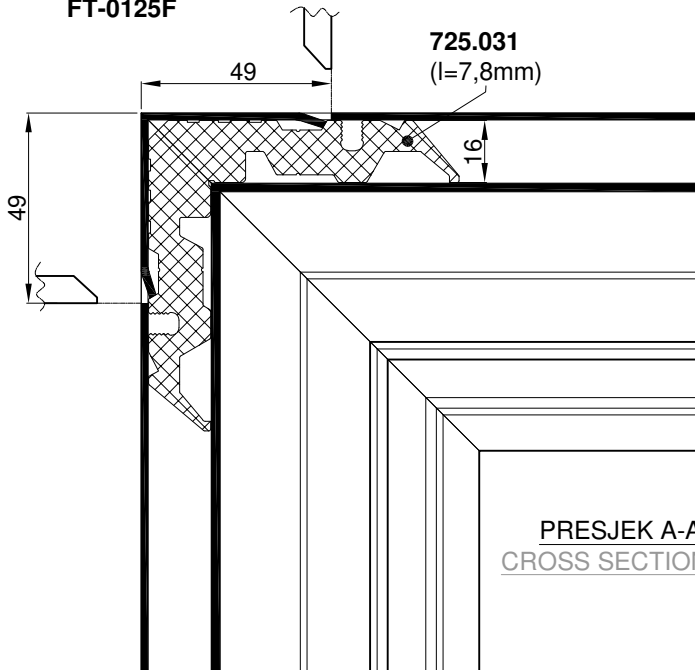
- | | |
|----|-------------------------|
| 1. | STROJNO UPREŠAVANJE |
| 2. | RUČNO |
| 3. | VIJČANA VEZA |
| 1. | MACHINE CORNER CRIMPING |
| 2. | MANUAL CORNER CRIMPING |
| 3. | SCREW CONNECTION |

- VIJČANA VEZA PROFILA + UTISKIVANJE STJENKE U KUTNIK
- ALUMINIUM PROFILE SCREW CONNECTION AND CORNER CRIMPING

PRESJEK C-C
CROSS SECTION C-C



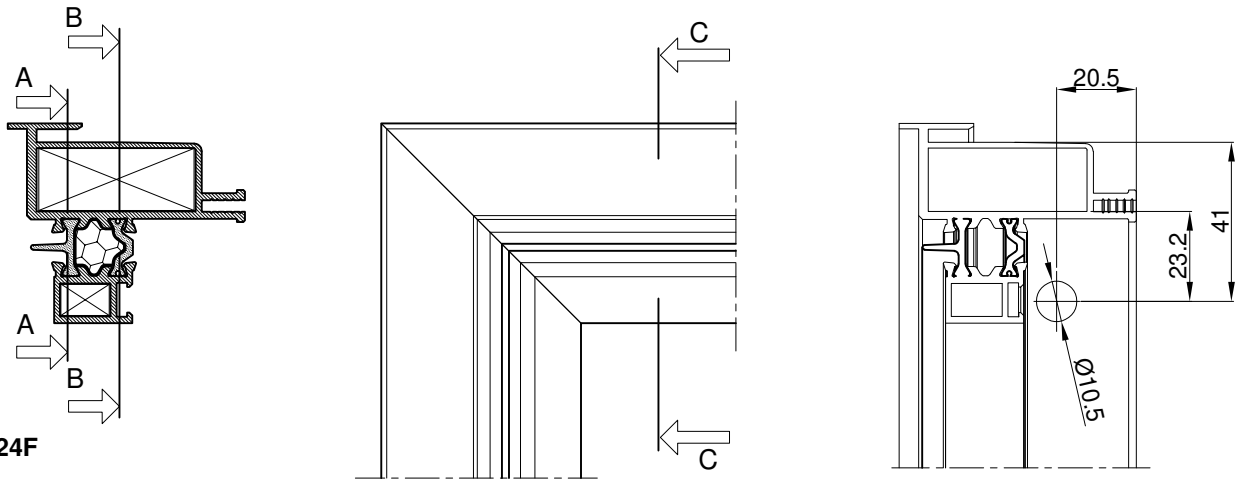
FT-0125F



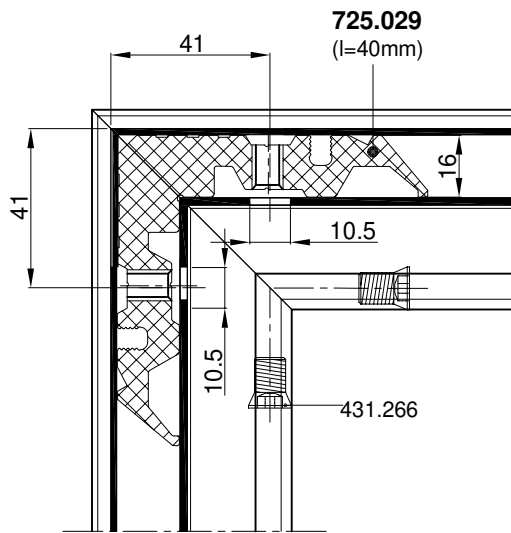
- | |
|--|
| <ol style="list-style-type: none"> 1. STROJNO UPREŠAVANJE 2. RUČNO UPREŠAVANJE 3. VIJČANA VEZA <ol style="list-style-type: none"> 1. MACHINE CORNER CRIMPING 2. MANUAL CORNER CRIMPING 3. SCREW CONNECTION |
|--|

- VIJČANA VEZA PROFILA
- ALUMINIUM PROFILE SCREW CONNECTION

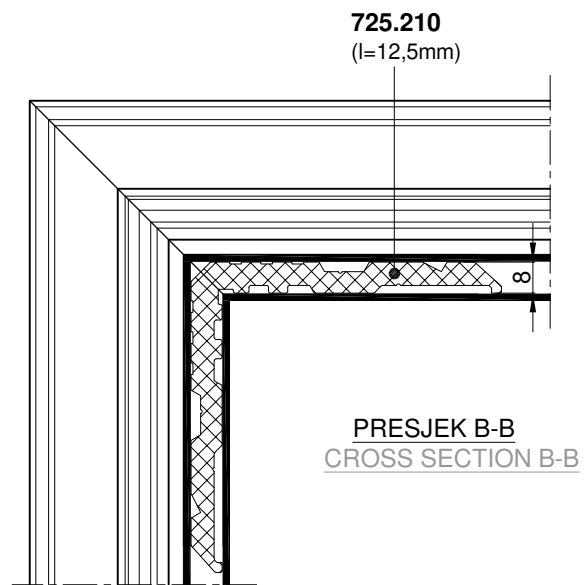
PRESJEK C-C
CROSS SECTION C-C



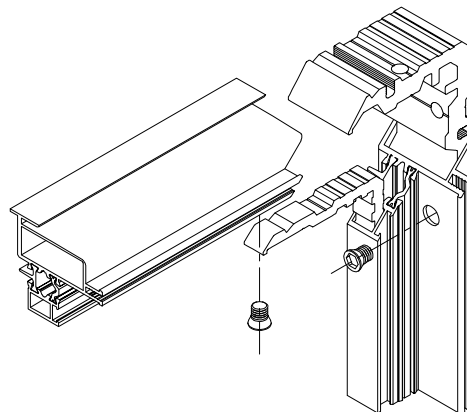
FT-0124F



PRESJEK A-A
CROSS SECTION A-A

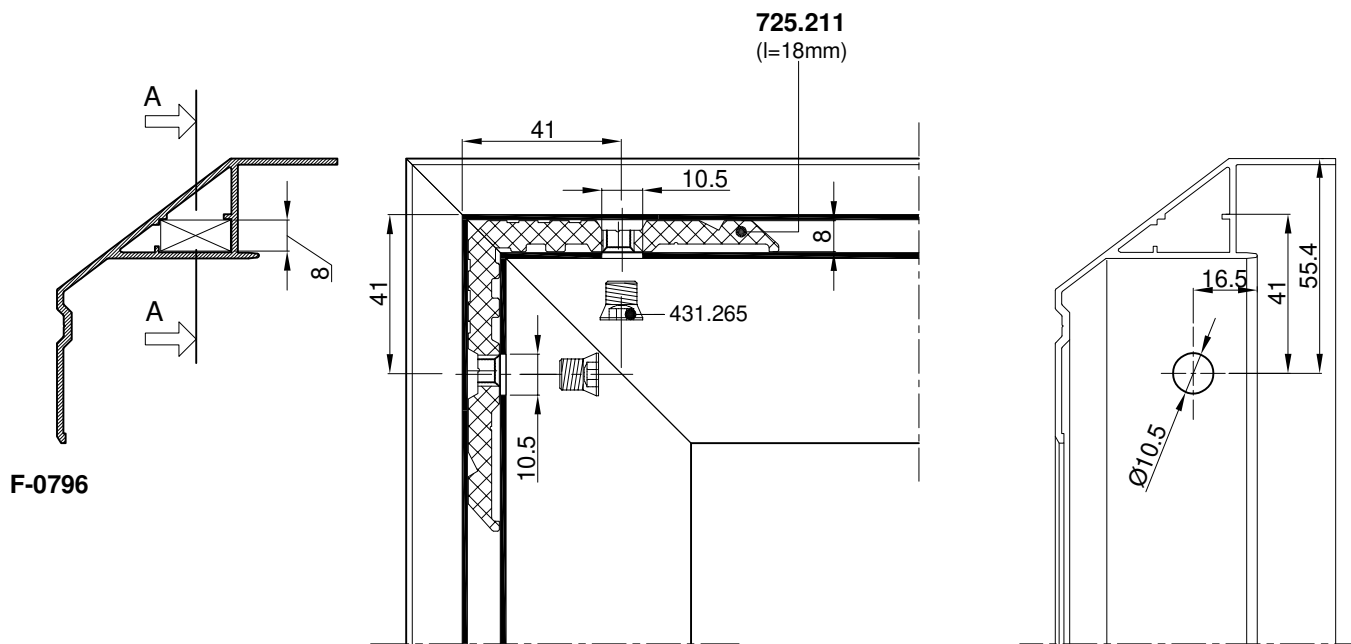


PRESJEK B-B
CROSS SECTION B-B

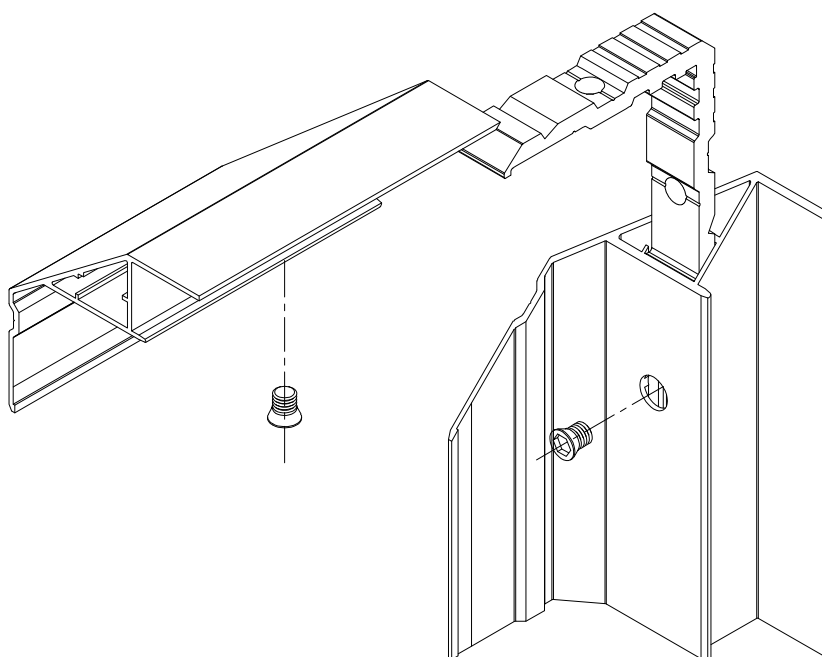


1. VIJČANA VEZA
1. SCREW CONNECTION

- VIJČANA VEZA PROFILA
- ALUMINIUM PROFILE SCREW CONNECTION

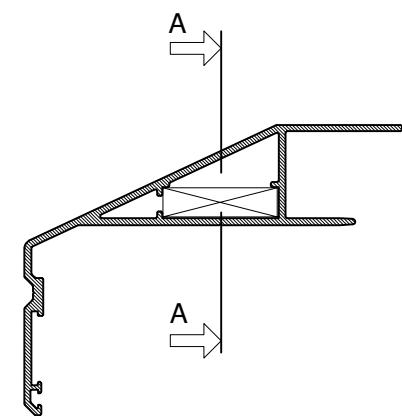


PRESJEK A-A
CROSS SECTION A-A

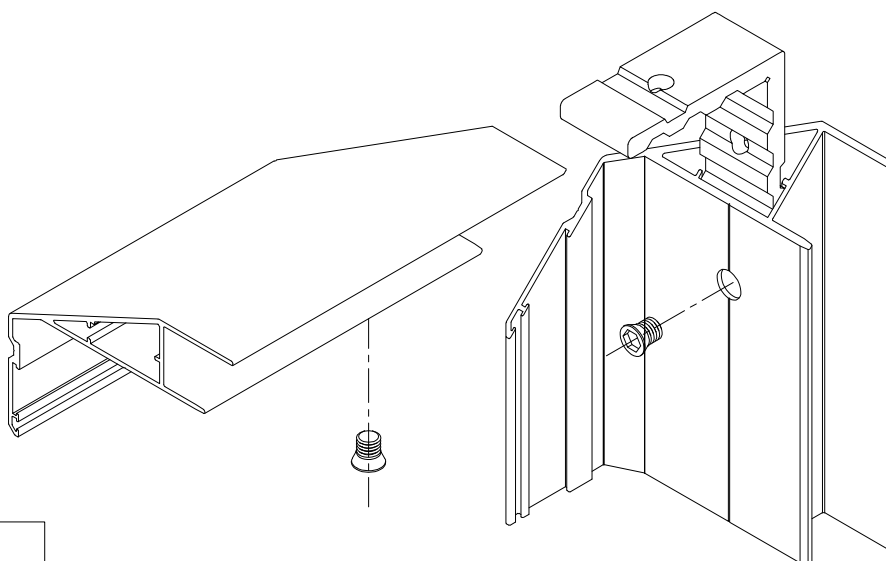
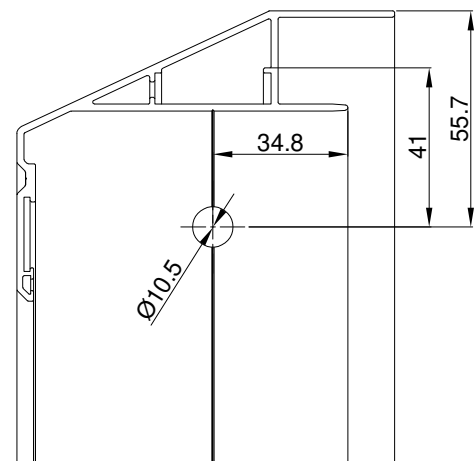
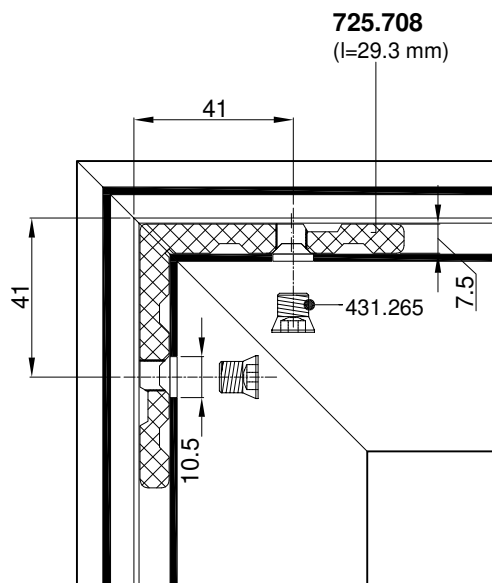


1. VIJČANA VEZA
1. SCREW CONNECTION

- VIJČANA VEZA PROFILA
- ALUMINIUM PROFILE SCREW CONNECTION

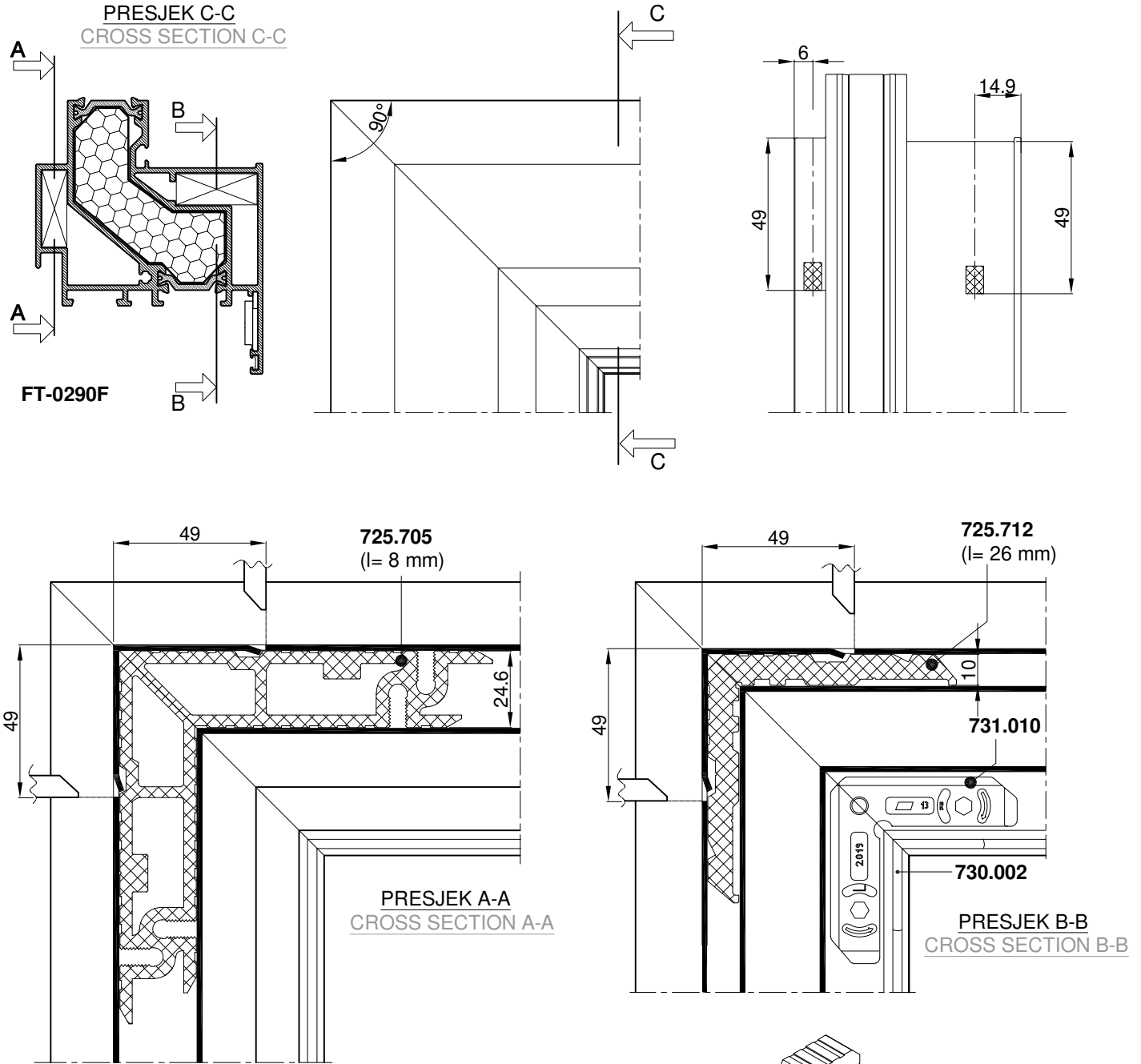


F-1572



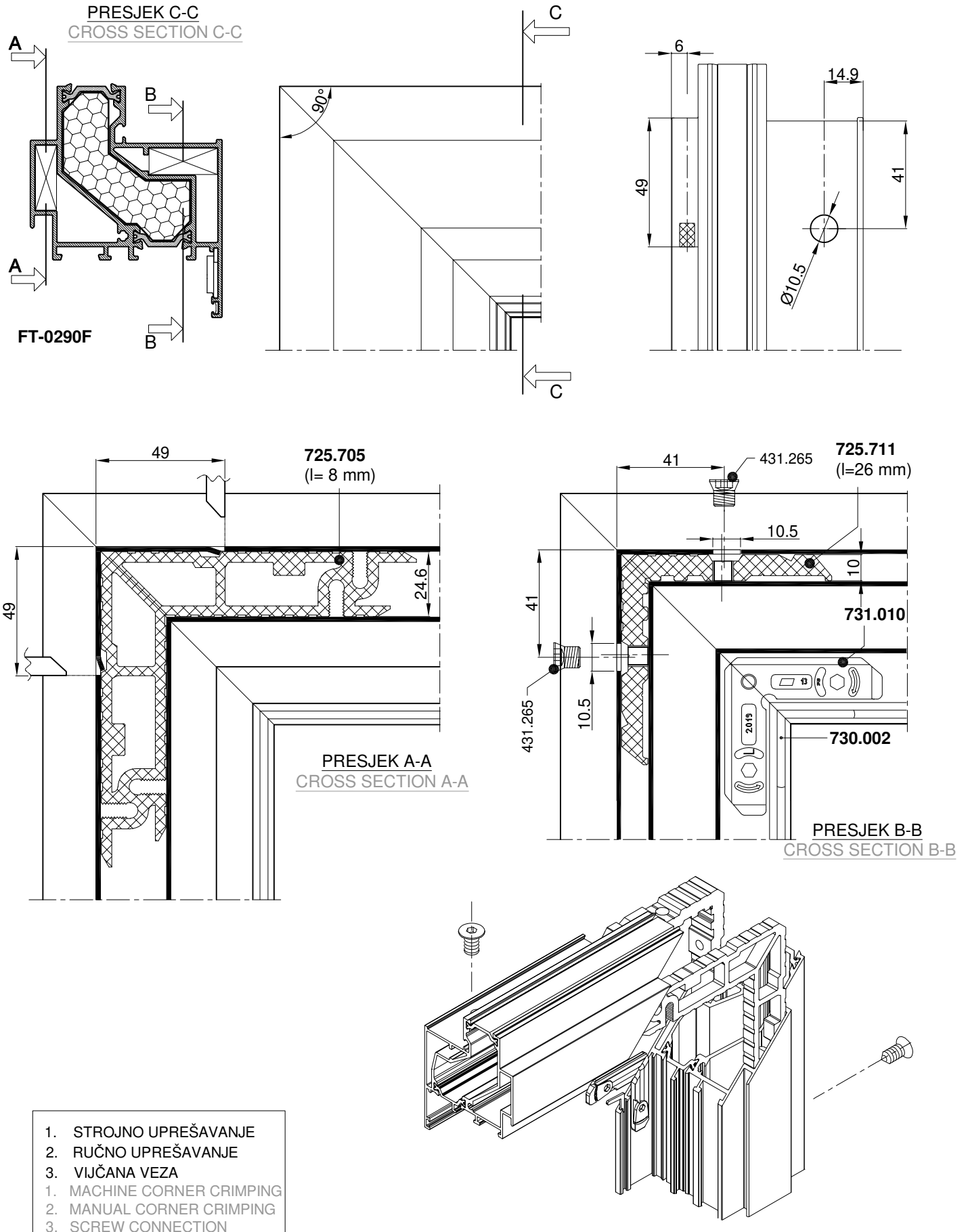
1. VIJČANA VEZA
1. SCREW CONNECTION

- UPREŠAVANJE STJENKE PROFILA U KUTNIK
- ALUMINIUM PROFILE CORNER CRIMPING



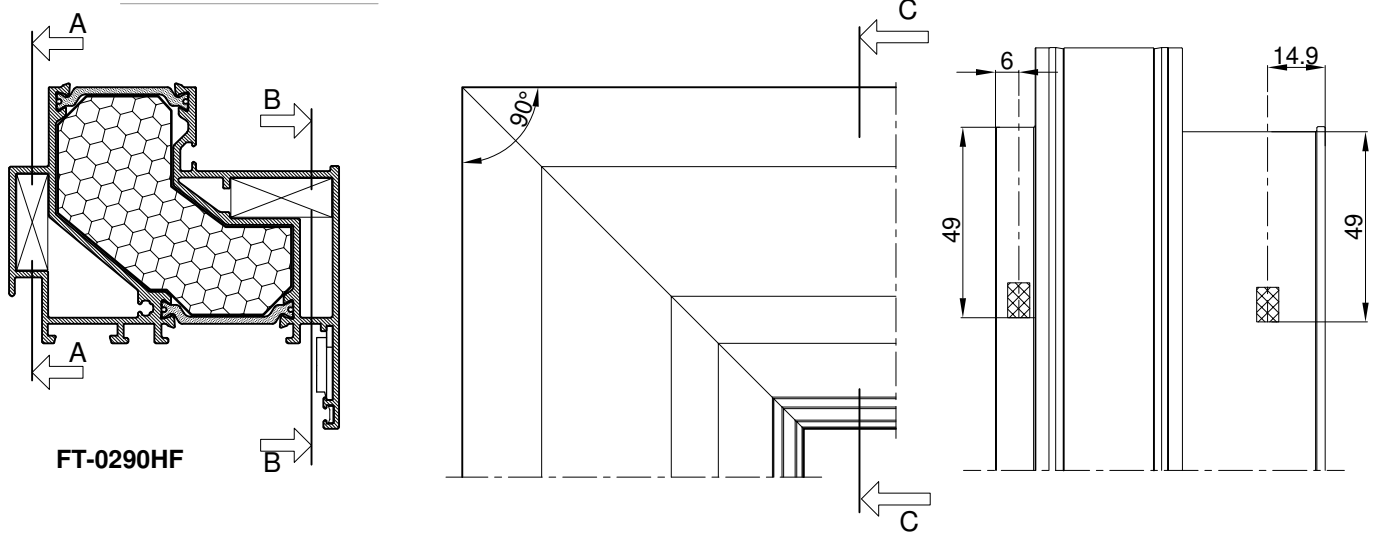
- | | |
|----|-------------------------|
| 1. | STROJNO UPREŠAVANJE |
| 2. | RUČNO UPREŠAVANJE |
| 1. | MACHINE CORNER CRIMPING |
| 2. | MANUAL CORNER CRIMPING |

- VIJČANA VEZA PROFILA + UTISKIVANJE STJENKE U KUTNIK
- ALUMINIUM PROFILE SCREW CONNECTION AND CORNER CRIMPING

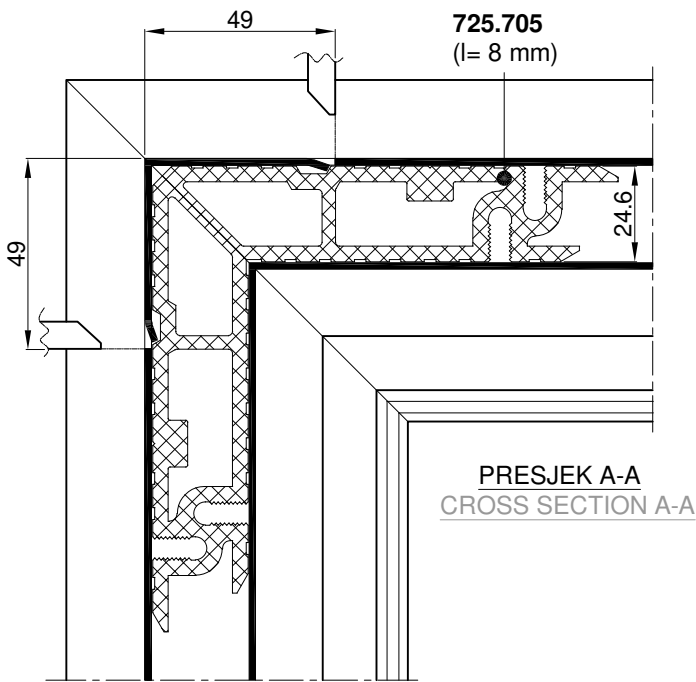


- UPREŠAVANJE STJENKE PROFILA U KUTNIK
- ALUMINIUM PROFILE CORNER CRIMPING

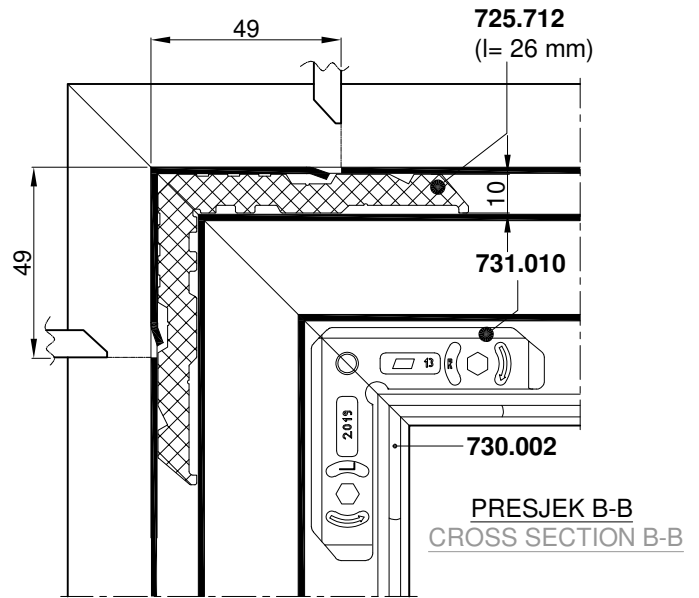
PRESJEK C-C
CROSS SECTION C-C



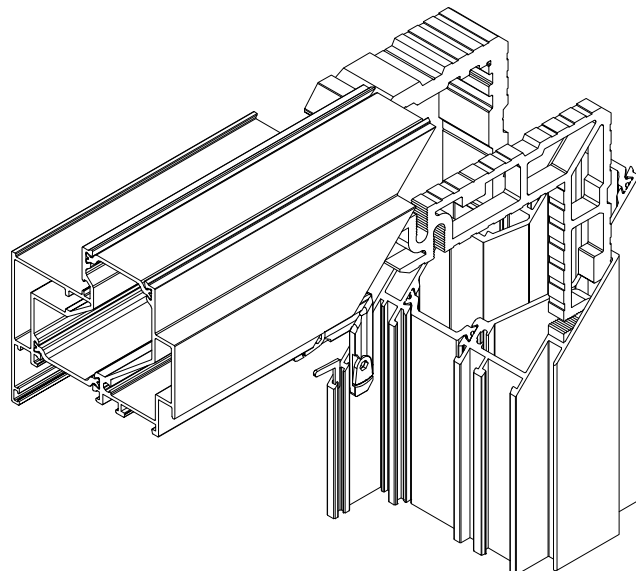
FT-0290HF



PRESJEK A-A
CROSS SECTION A-A



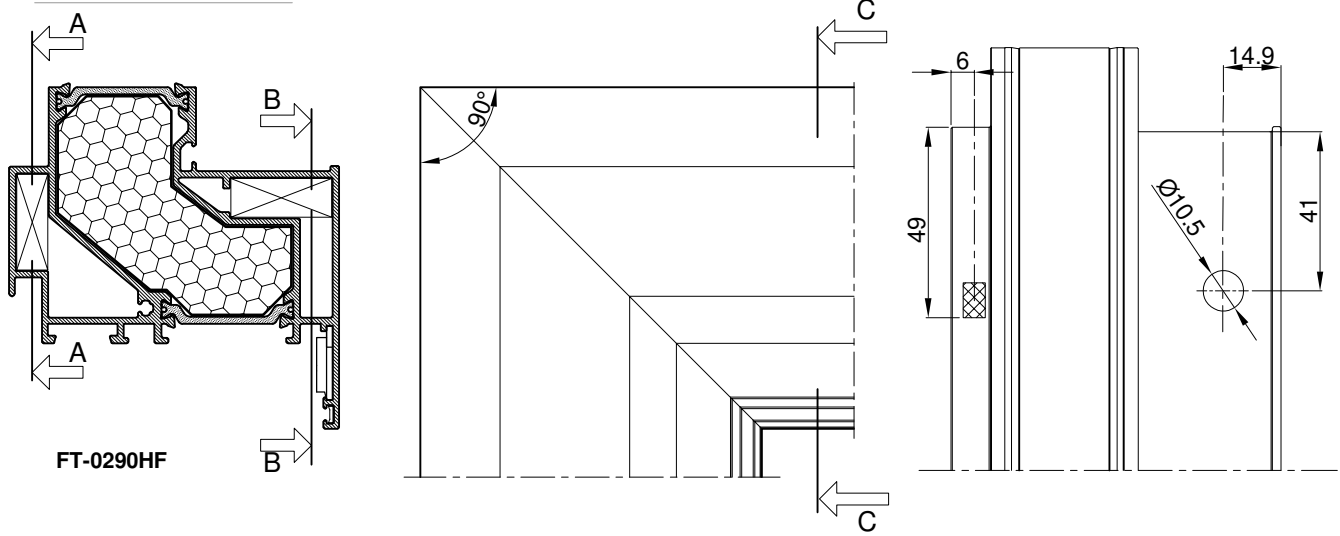
PRESJEK B-B
CROSS SECTION B-B



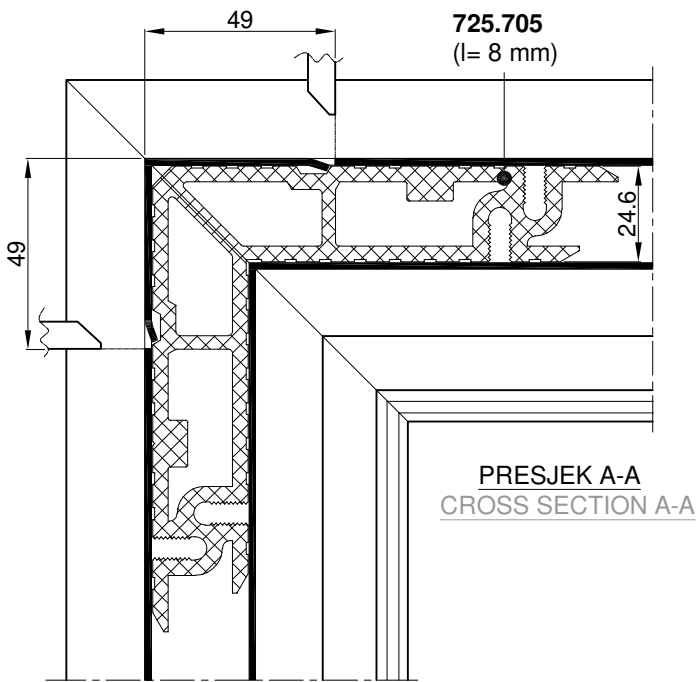
- | | |
|----|-------------------------|
| 1. | STROJNO UPREŠAVANJE |
| 2. | RUČNO UPREŠAVANJE |
| 1. | MACHINE CORNER CRIMPING |
| 2. | MANUAL CORNER CRIMPING |

- VIJČANA VEZA PROFILA + UTISKIVANJE STJENKE U KUTNIK
- ALUMINIUM PROFILE SCREW CONNECTION AND CORNER CRIMPING

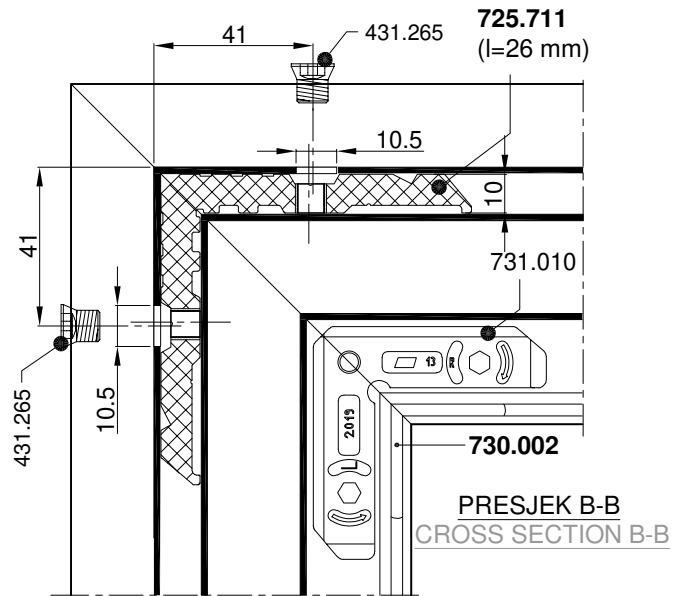
PRESJEK C-C
CROSS SECTION C-C



FT-0290HF

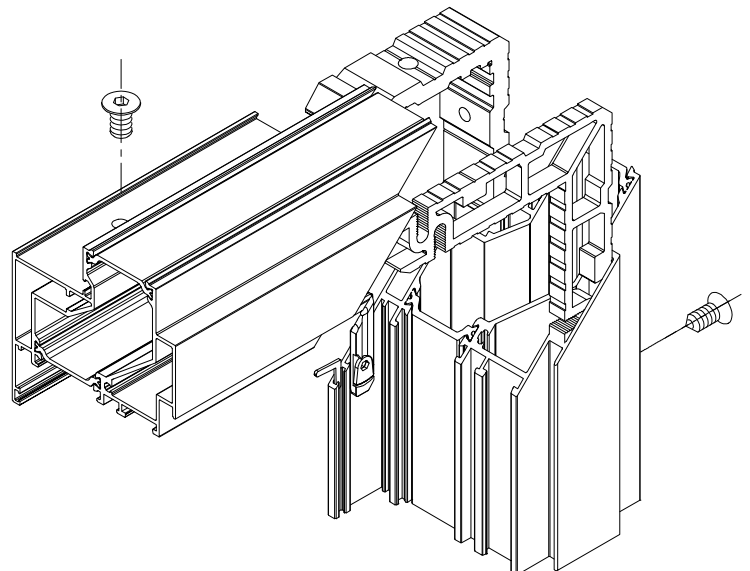


PRESJEK A-A
CROSS SECTION A-A



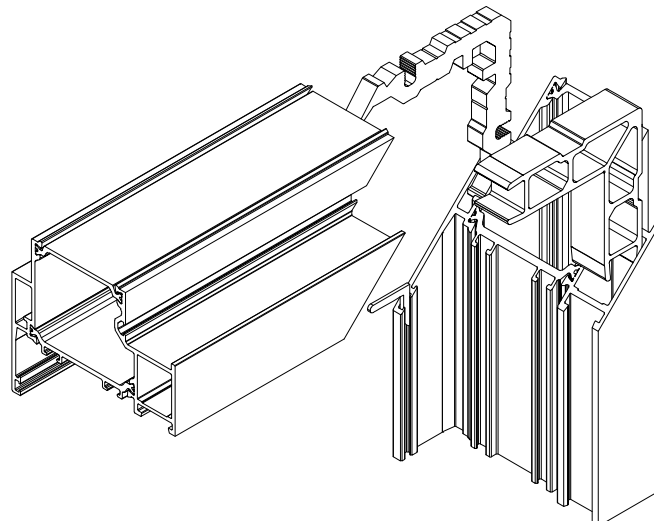
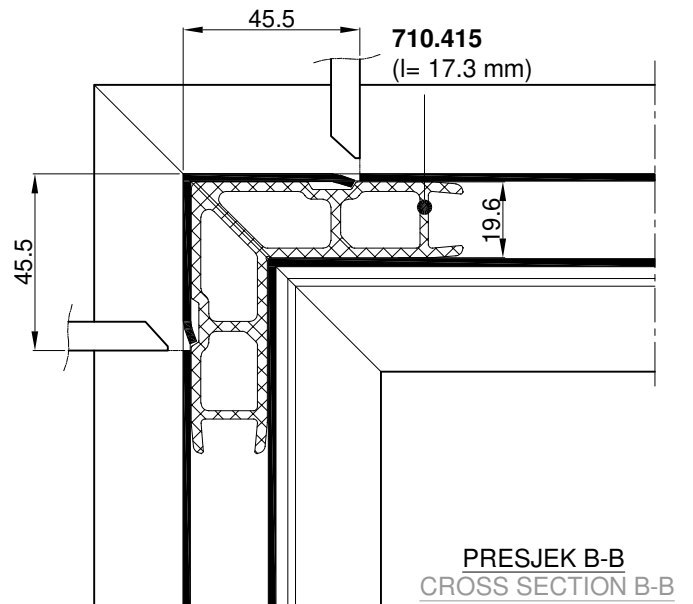
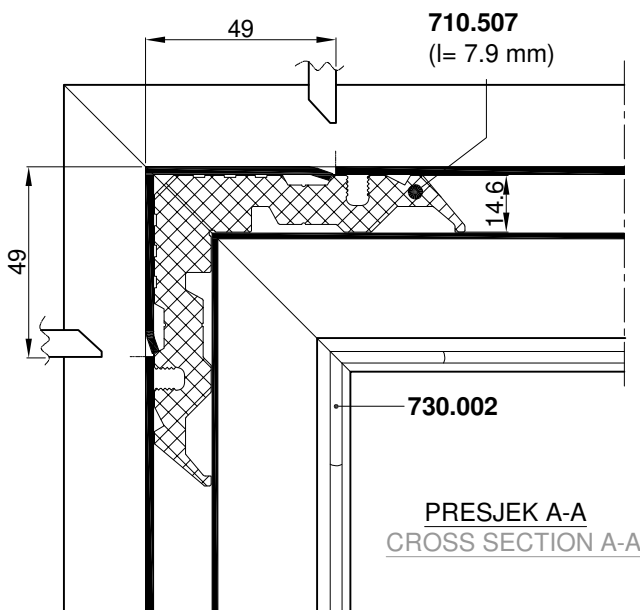
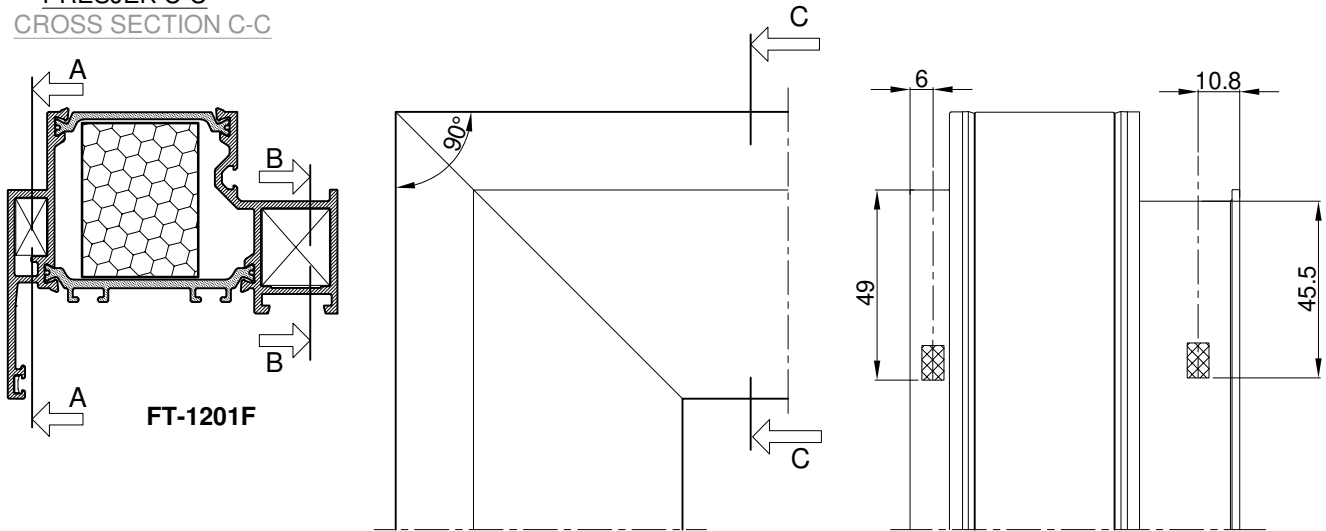
PRESJEK B-B
CROSS SECTION B-B

- | | |
|----|-------------------------|
| 1. | STROJNO UPREŠAVANJE |
| 2. | RUČNO UPREŠAVANJE |
| 3. | VIJČANA VEZA |
| 1. | MACHINE CORNER CRIMPING |
| 2. | MANUAL CORNER CRIMPING |
| 3. | SCREW CONNECTION |

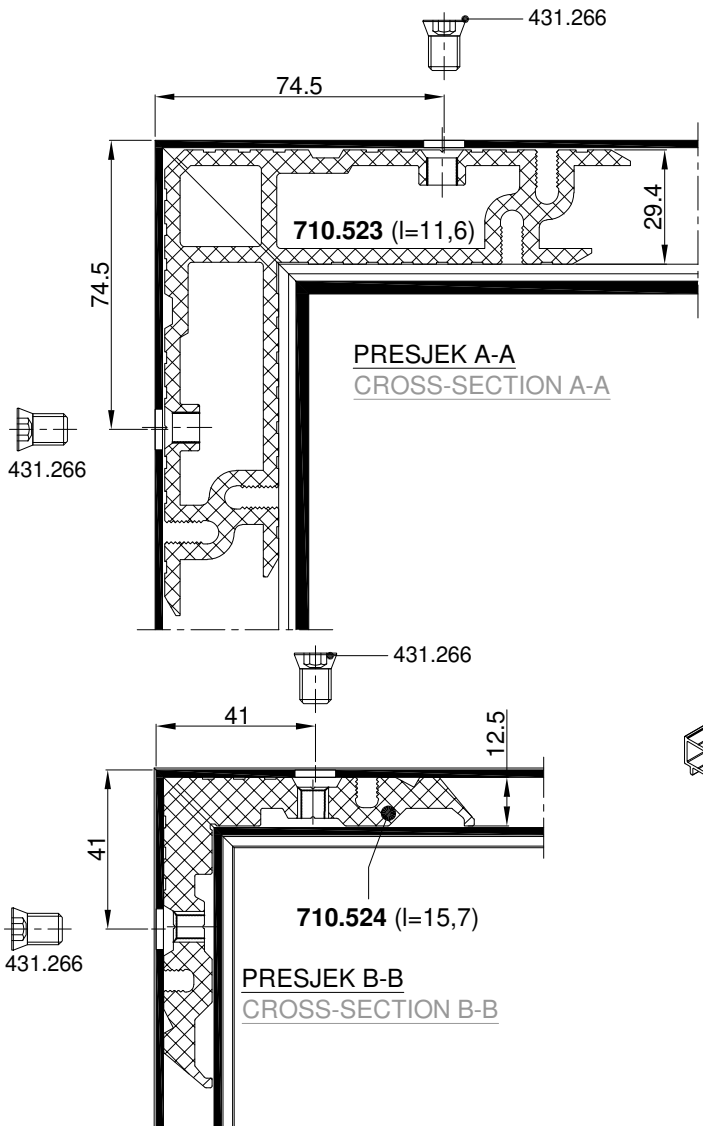
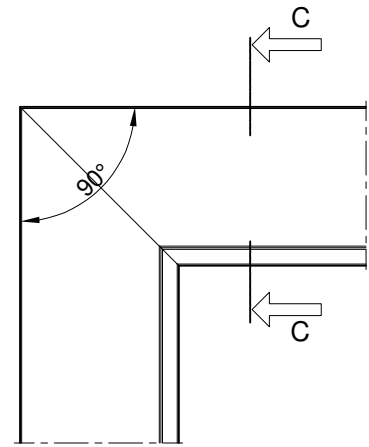
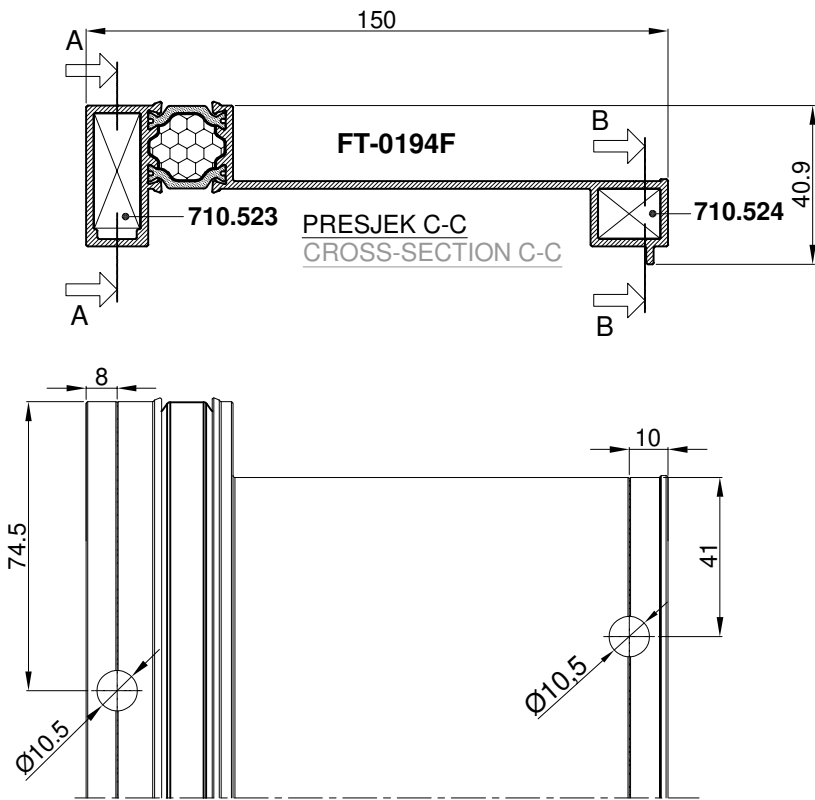


- UPREŠAVANJE STJENKE PROFILA U KUTNIK
- ALUMINIUM PROFILE CORNER CRIMPING

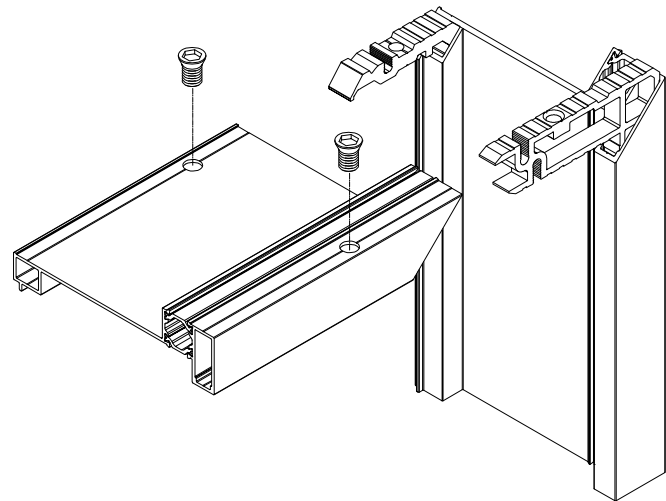
PRESJEK C-C
CROSS SECTION C-C

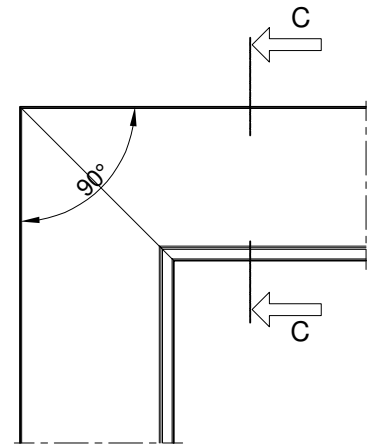
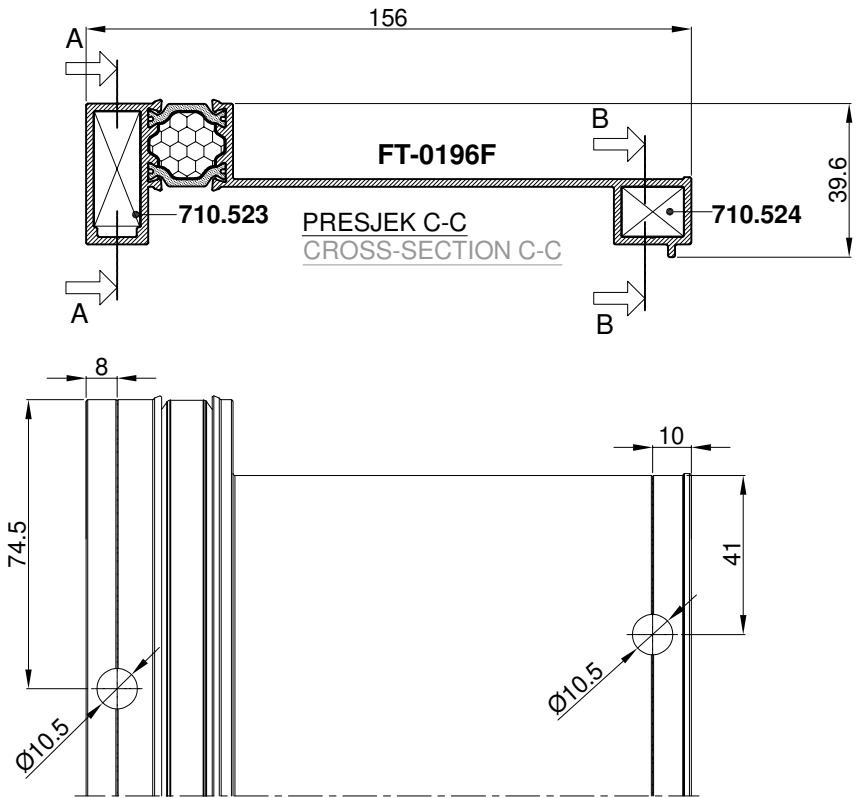


- | | |
|----|-------------------------|
| 1. | STROJNO UPREŠAVANJE |
| 2. | RUČNO UPREŠAVANJE |
| 1. | MACHINE CORNER CRIMPING |
| 2. | MANUAL CORNER CRIMPING |

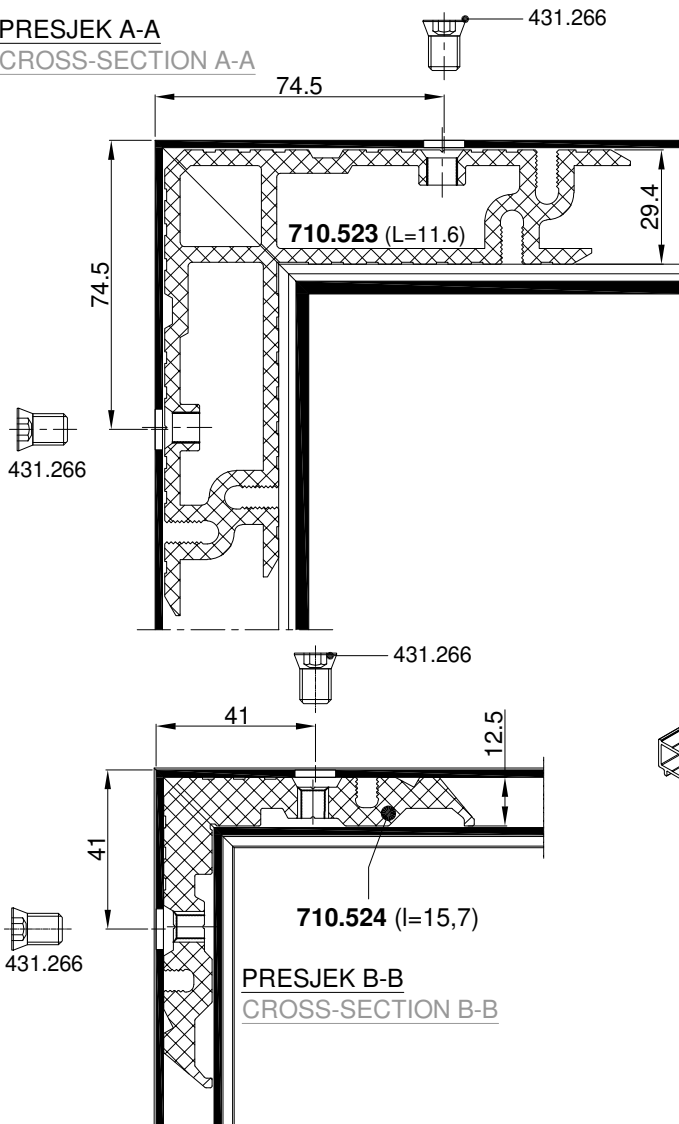


1. VIJČANA VEZA
1. SCREW CONNECTION

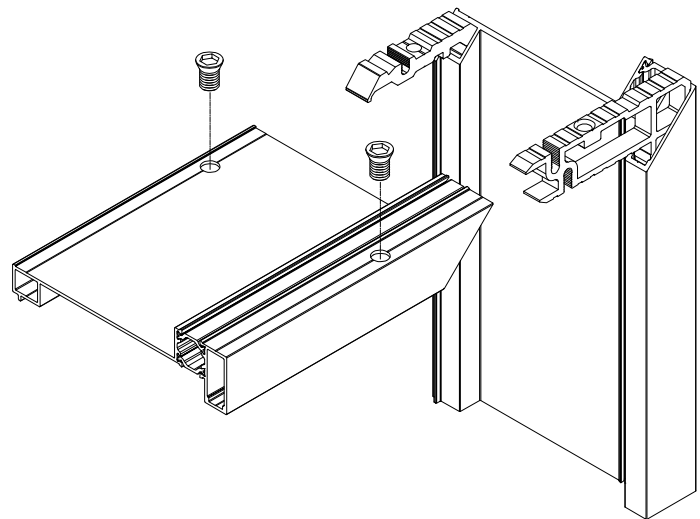


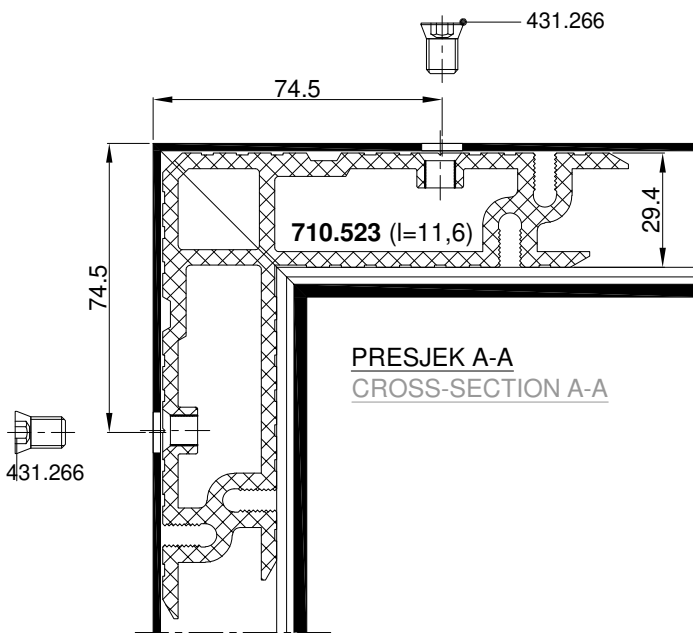
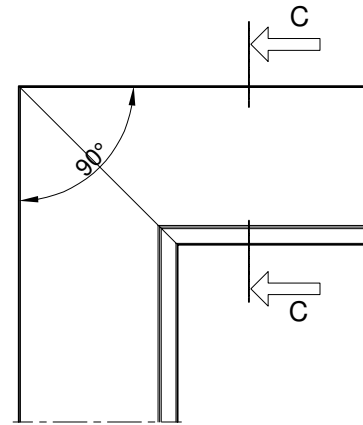
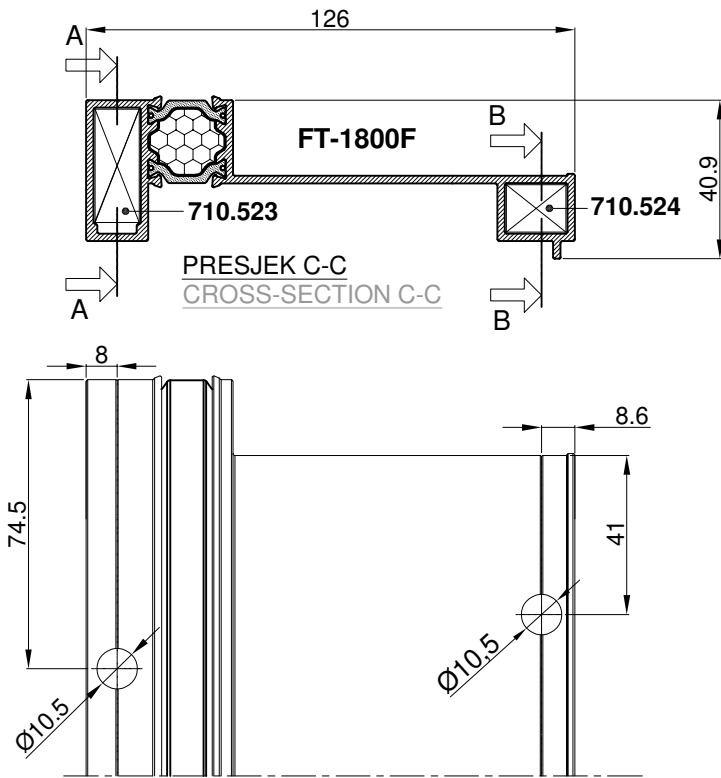


PRESJEK A-A
CROSS-SECTION A-A

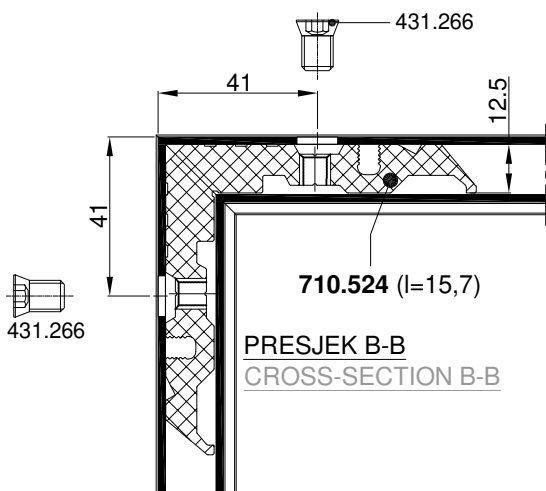
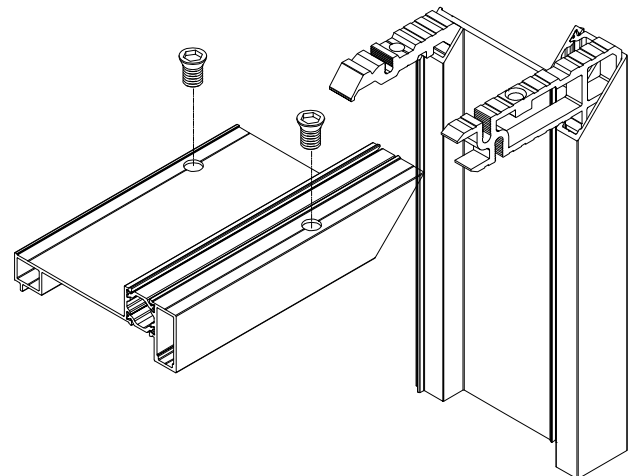


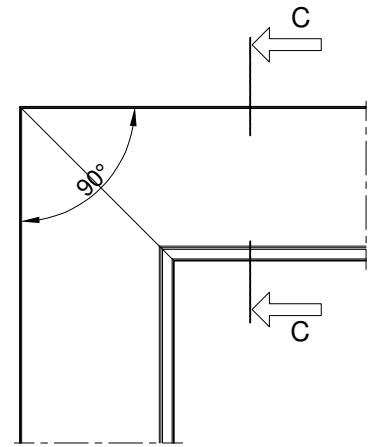
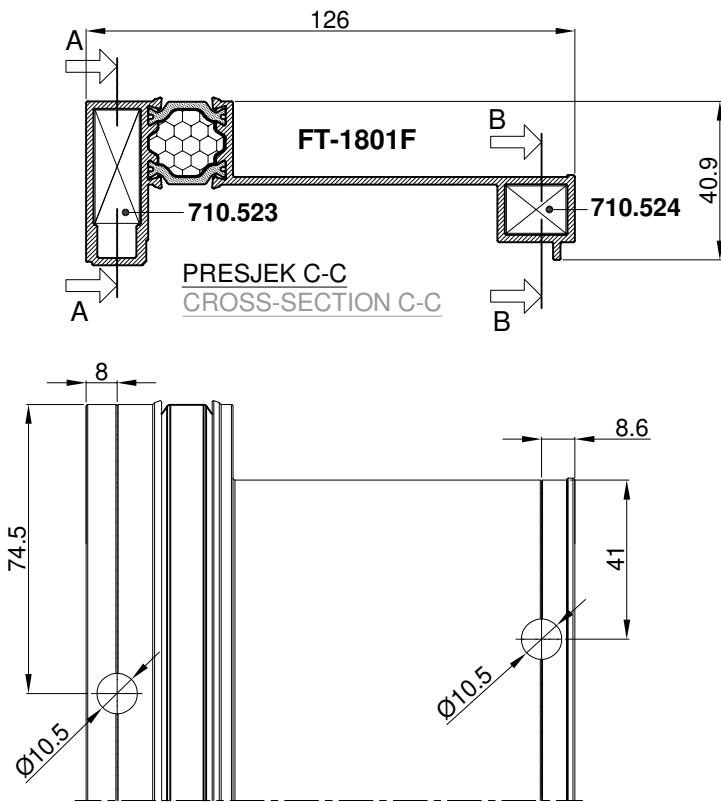
1. VIJČANA VEZA
1. SCREW CONNECTION



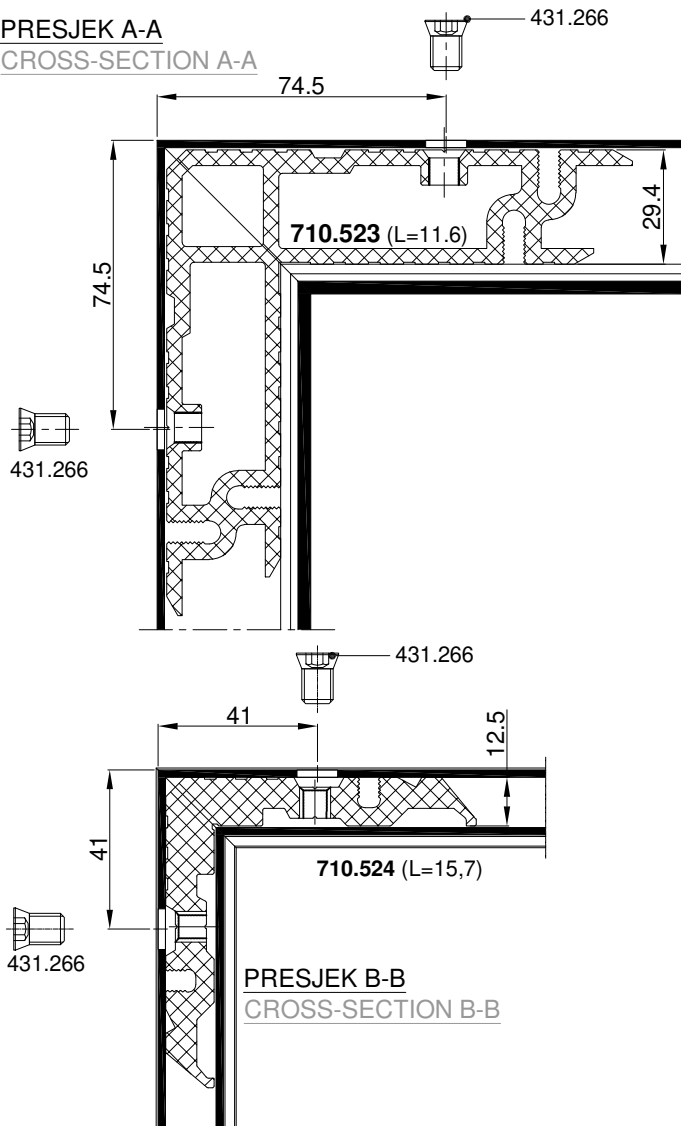


1. VIJČANA VEZA
1. SCREW CONNECTION

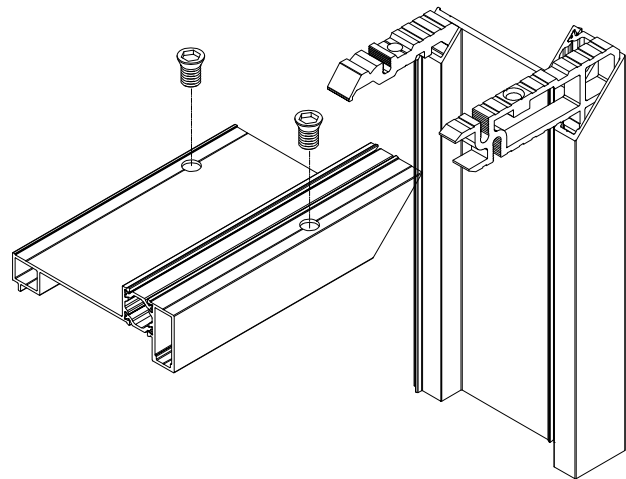




PRESJEK A-A
CROSS-SECTION A-A

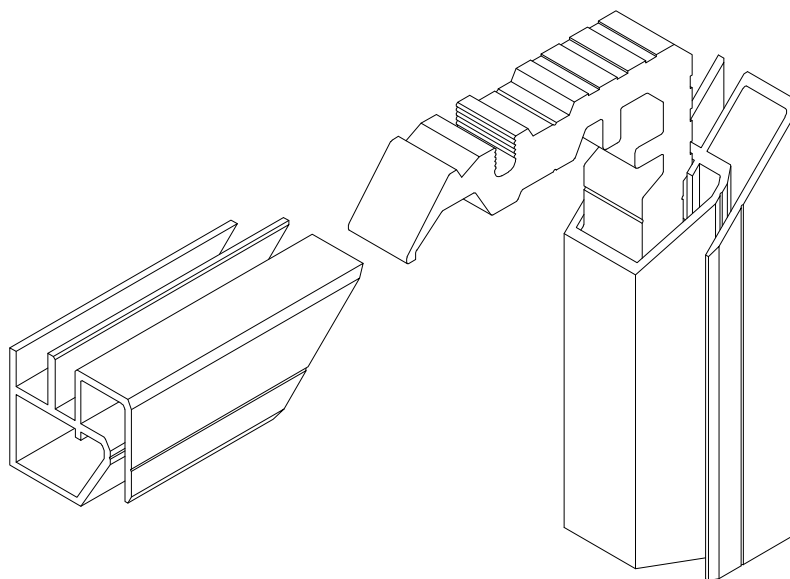
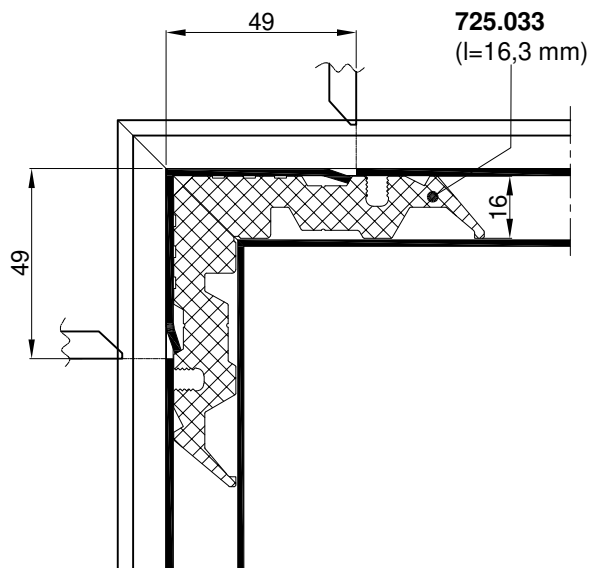
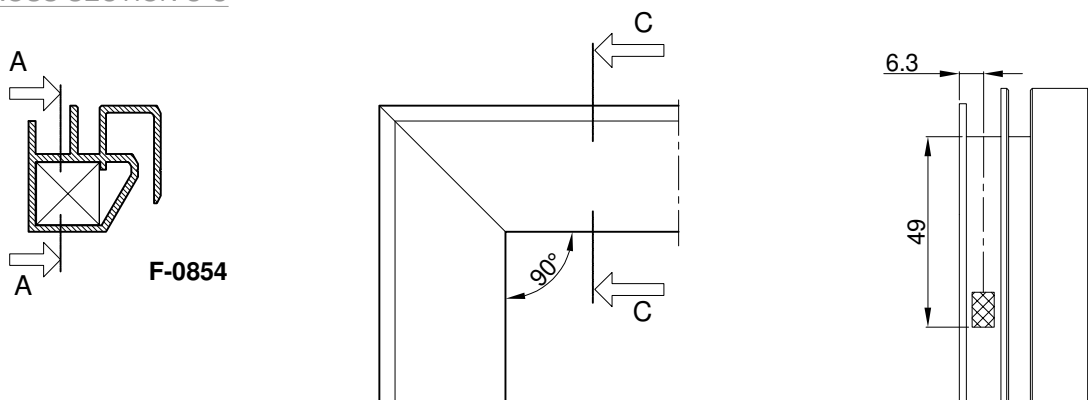


1. VIJČANA VEZA
1. SCREW CONNECTION



- UPREŠAVANJE STJENKE PROFILA U KUTNIK
- ALUMINIUM PROFILE CORNER CRIMPING

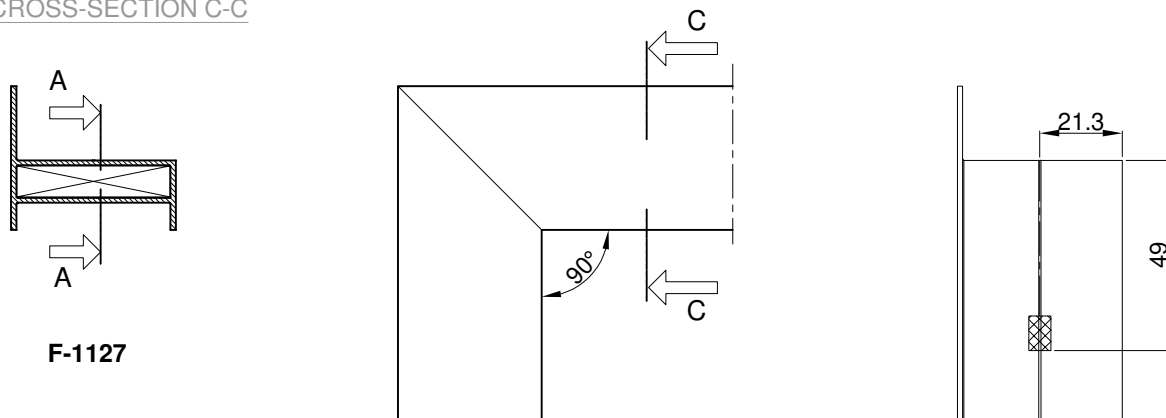
PRESJEK C-C
CROSS-SECTION C-C



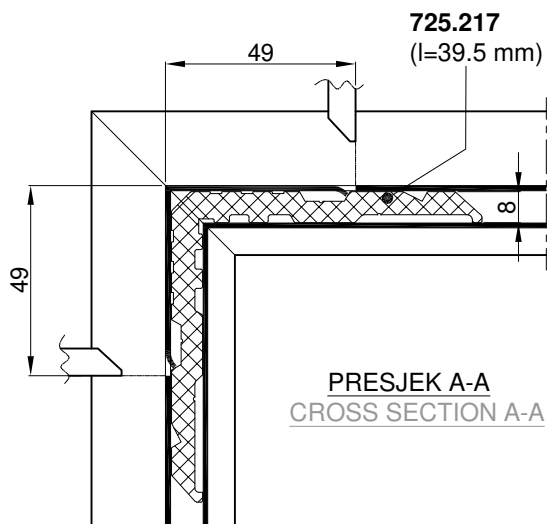
- | |
|--|
| <ol style="list-style-type: none"> 1. STROJNO UPREŠAVANJE 2. RUČNO UPREŠAVANJE <ol style="list-style-type: none"> 1. MACHINE CORNER CRIMPING 2. MANUAL CORNER CRIMPING |
|--|

- UPREŠAVANJE STJENKE PROFILA U KUTNIK
- ALUMINIUM PROFILE CORNER CRIMPING

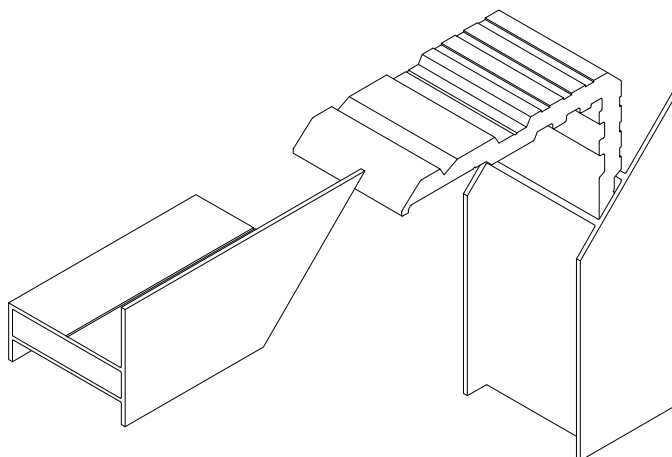
PRESJEK C-C
CROSS-SECTION C-C



F-1127



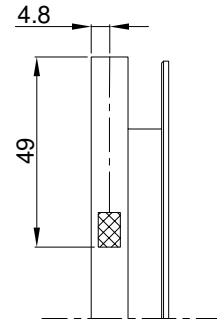
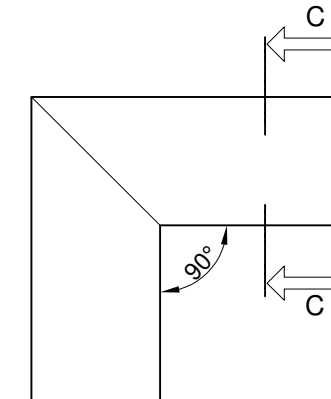
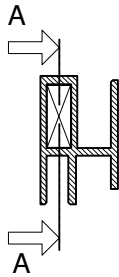
PRESJEK A-A
CROSS SECTION A-A



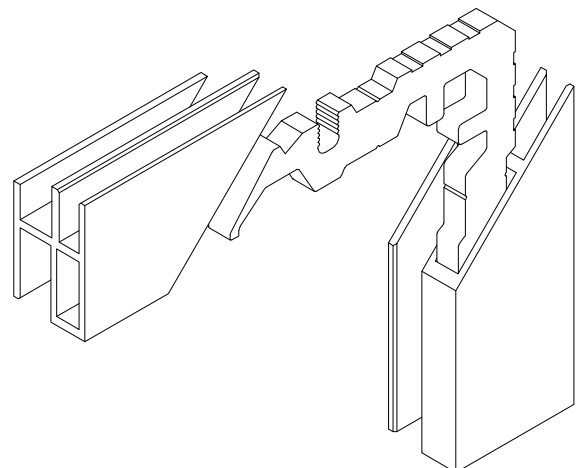
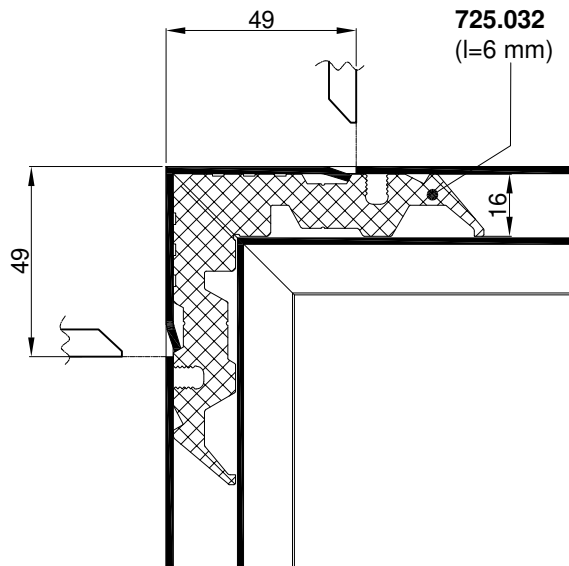
- | |
|--|
| <ol style="list-style-type: none"> 1. STROJNO UPREŠAVANJE 2. RUČNO UPREŠAVANJE <ol style="list-style-type: none"> 1. MACHINE CORNER CRIMPING 2. MANUAL CORNER CRIMPING |
|--|

- UPREŠAVANJE STJENKE PROFILA U KUTNIK
- ALUMINIUM PROFILE CORNER CRIMPING

PRESJEK C-C
CROSS-SECTION C-C

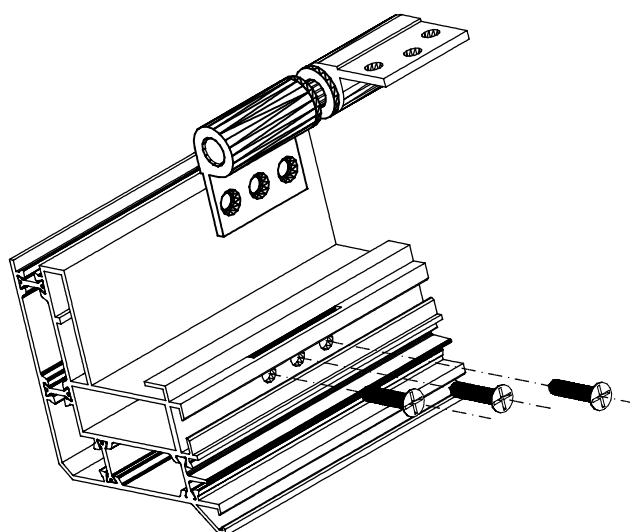
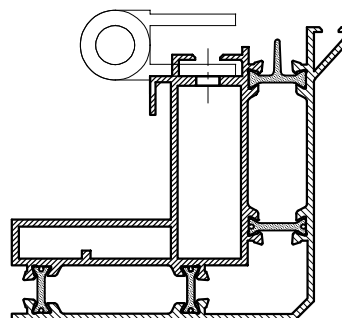
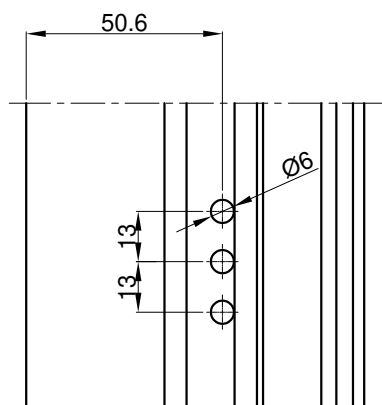
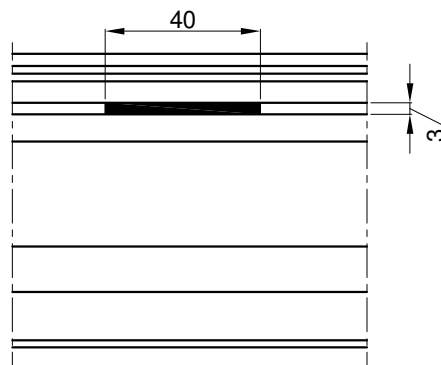
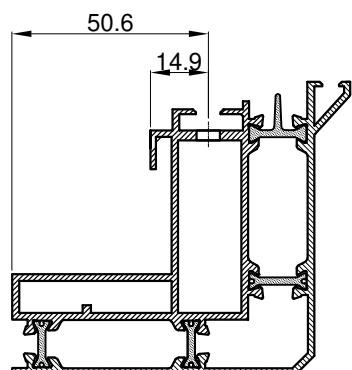


F-0855
(eloksaza S-10 ne starija od 6 mjeseci)

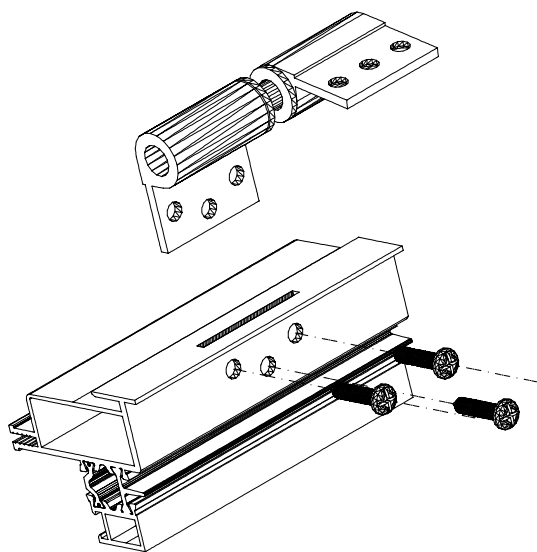
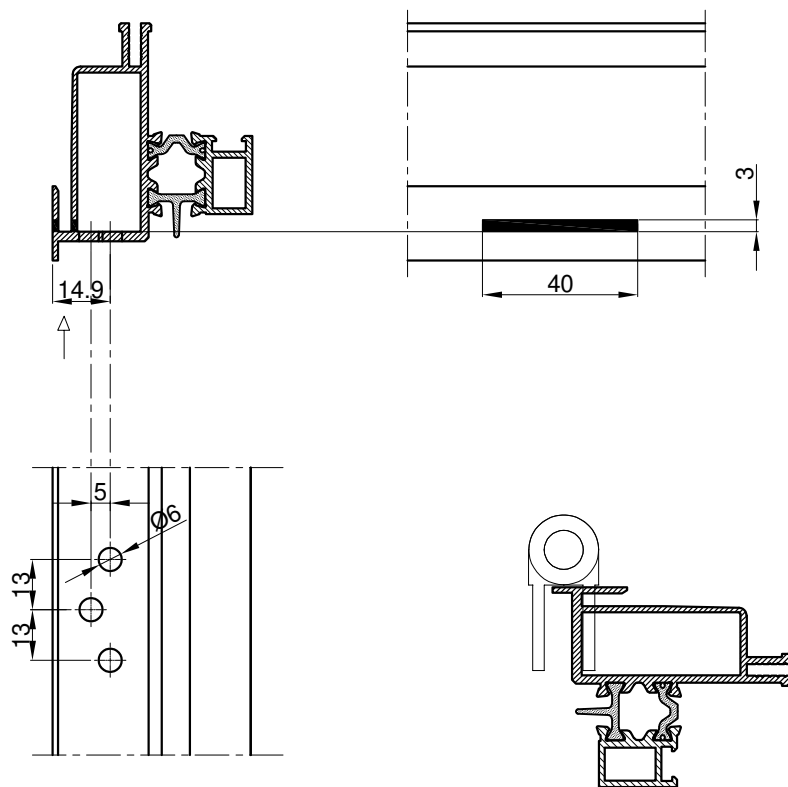


- | |
|--|
| <ol style="list-style-type: none"> 1. STROJNO UPREŠAVANJE 2. RUČNO UPREŠAVANJE <ol style="list-style-type: none"> 1. MACHINE CORNER CRIMPING 2. MANUAL CORNER CRIMPING |
|--|

- Obrada rama FT-0125F za prihvat šarke
- Processing of frame FT-0125 for hinge installation



- Obrada profila (krilo) FT-0124F za prihvat šarke
- Processing of sash FT-0125 for hinge installation

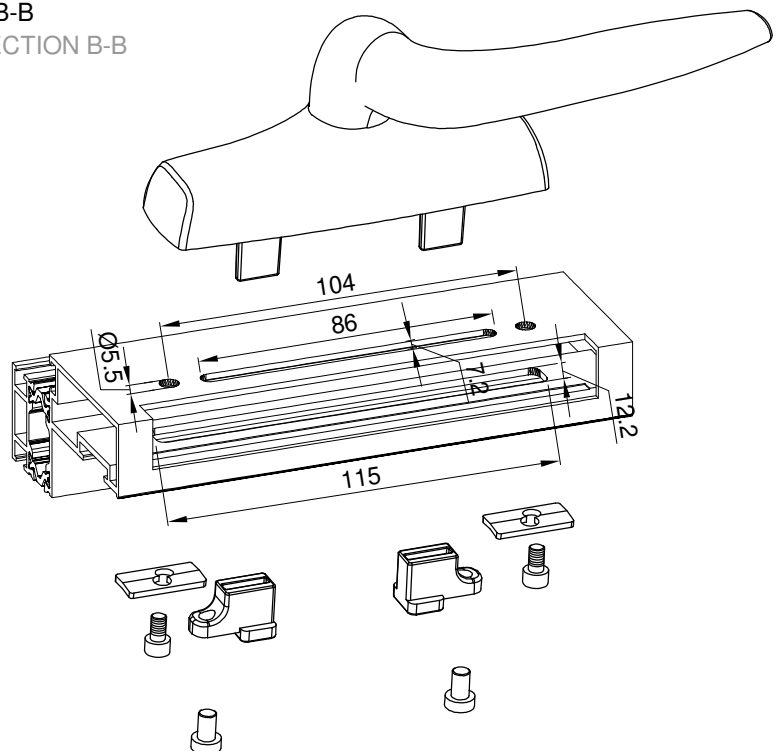
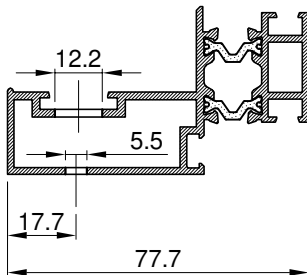
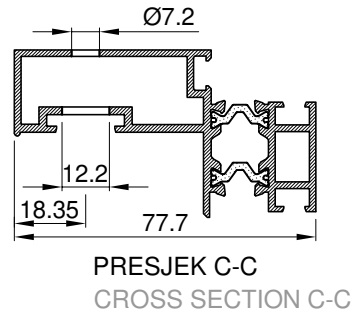
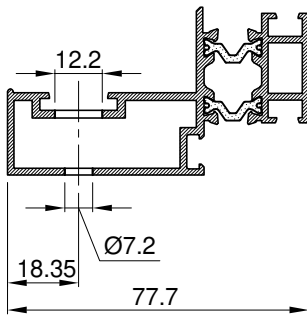
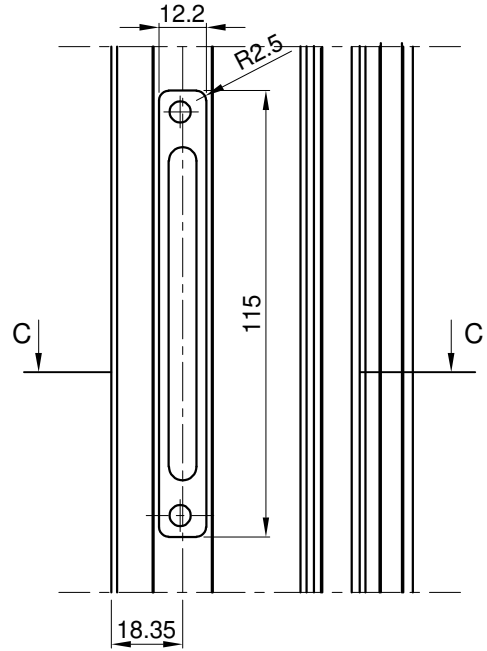
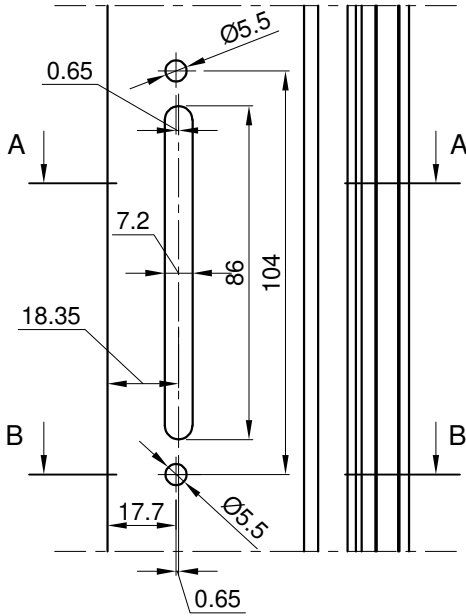


OBRADA PROFILA ZA RUČKU -104.013.01 PROFILE PROCESSING FOR HANDLE -104.013.01

02
03

02
03

FT-0157



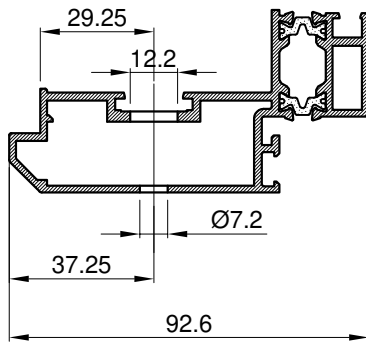
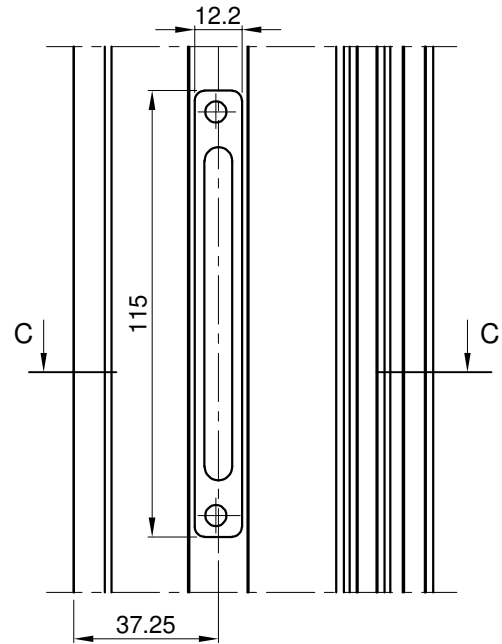
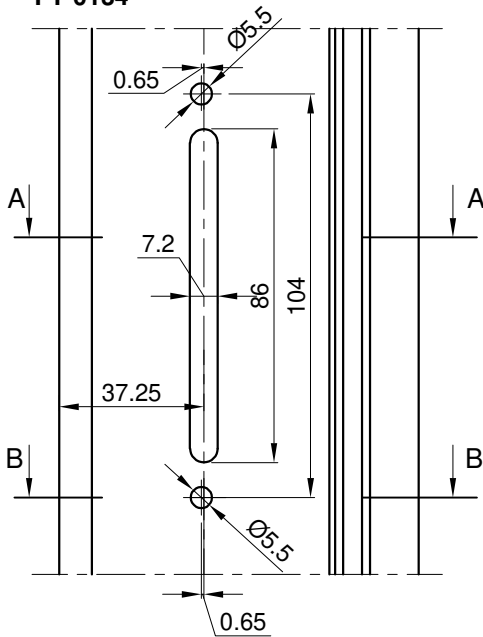
OBRADA PROFILA ZA RUČKU -104.013.01

02
03

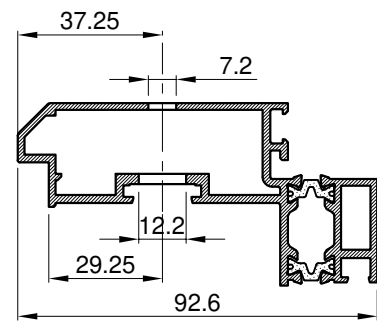
PROFILE PROCESSING FOR HANDLE -104.013.01

02
03

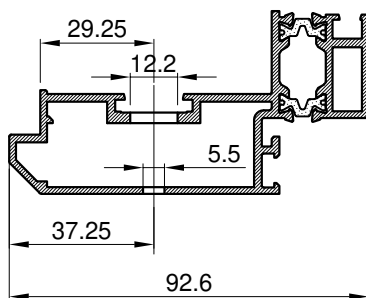
FT-0134



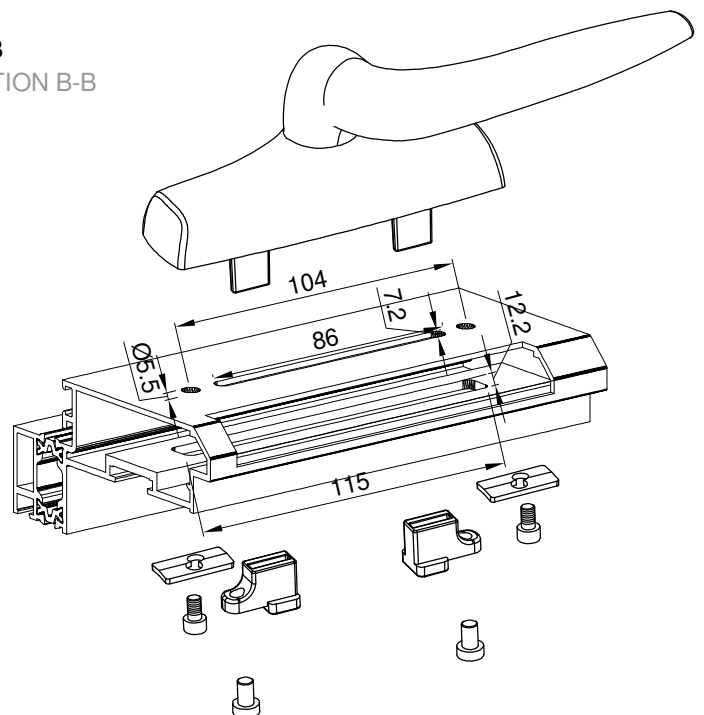
PRESJEK A-A
CROSS SECTION A-A



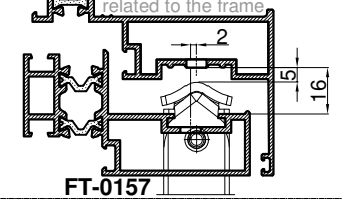
PRESJEK C-C
CROSS SECTION C-C



PRESJEK B-B
CROSS SECTION B-B

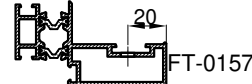


FT-0175 pozicioniranje makaza u odnosu na ram
positioning of strays related to the frame

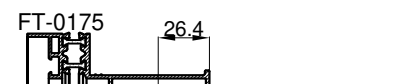


ugradnja fasadnih makaza
Stublina 134.022
installation of friction stays
Stublina 134.022

obrada krila za
fasadne makaze
Stublina 134.022
sash processing
for friction stays
Stublina 134.022



obrada rama za
fasadne makaze
Stublina 134.022
frame processing
for friction stays
Stublina 134.022



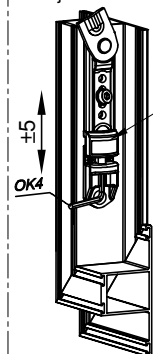
vijci za osiguravanje položaja
krila kad se postavi u potreban
položaj

screws for securing the
position of the sash when
it is set in the required position

vijak za fiksiranje graničnika
u željeni položaj za definiranje
kuta otvaranja krila (15° ili 20°)
screw for fixing the limiter into
wanted position for defining
opening angle (15° or 20°)

vijci za osiguravanje položaja krila kad se
postavi u potreban položaj
screws for securing the position of the sash
when it is set in the required position

Detalj D Detail D

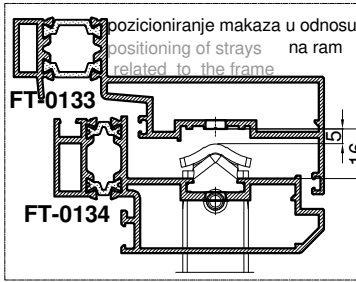


podmazivanje vršiti
nakon 5000 otvaranja
to be greased after
5000 openings

podešavanje makaza po
visini (±5 mm) preko
mehanizma za podešavanje
stray height adjustment
(±5 mm) with adjustment
mechanism

- ① Rupa Ø7 - za zakivne matice
M5 (M5x16 DIN 6912)
Hole Ø7 - for rivet nuts
M5 (M5x16 DIN 6912)
- ② Rupa Ø7-za element za
fino podešavanje
Hole Ø7-for fine adjustment
element
- ③ Rupa Ø3.7 - za samourezujući vijak
4.8x16 DIN7982
Hole Ø3.7 - for selftapping screw
4.8x16 DIN7982

- ④ M5x16 DIN 6912
- ⑤ 4.8x16 DIN7982
- ⑥ povećanjem ili smanjenjem sile trenja
omogućava se lakše ili teže otvaranje
prozora. Vijak ne smije biti previše
zategnut, ukoliko je jako zategnut prozor
neće funkcionirati.
with friction force change one regulates the
window closing force. Screw should not be screwed
too tight, otherwise the window will not be able to
open/close.



ugradnja fasadnih makaza
Stublina 134.022
installation of friction stays
Stublina 134.022

obrada krila za
fasadne makaze
Stublina 134.022
sash processing
for friction stays
Stublina 134.022

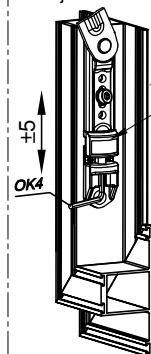
obrada rama za
fasadne makaze
Stublina 134.022
frame processing
for friction stays
Stublina 134.022

vijci za osiguravanje položaja
krila kad se postavi u
potreban položaj
screws for securing the
position of the sash when
it is set in the required
position

vijak za fiksiranje graničnika
u željeni položaj za definiranje
kuta otvaranja krila (15° ili 20°)
screw for fixing the limiter
into wanted position for defining
opening angle (15° or 20°)

vijci za osiguravanje
položaja krila kad se postavi u potreban
položaj
screws for securing the position of the sash
when it is set in the required position

Detalj D Detail D

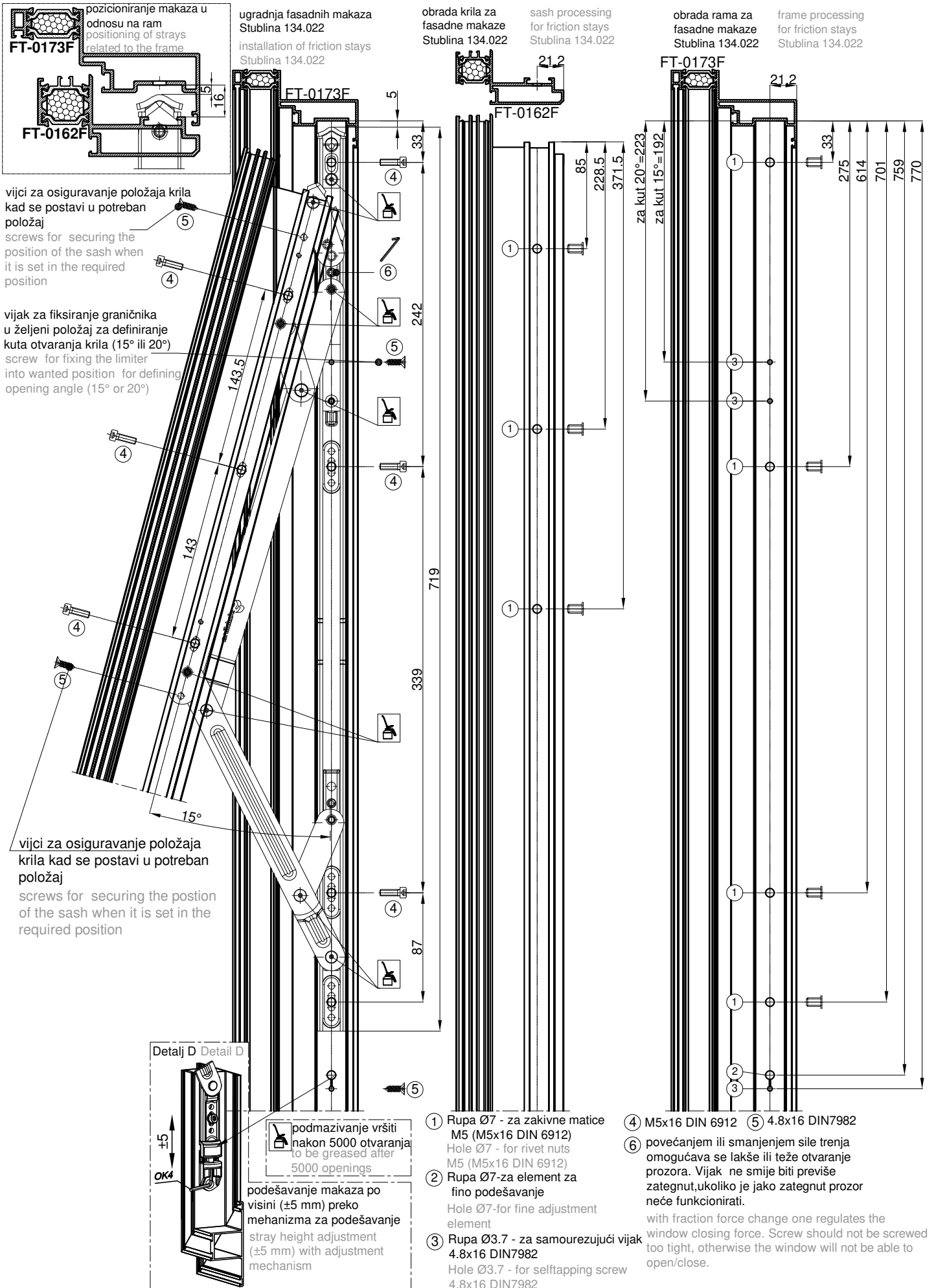


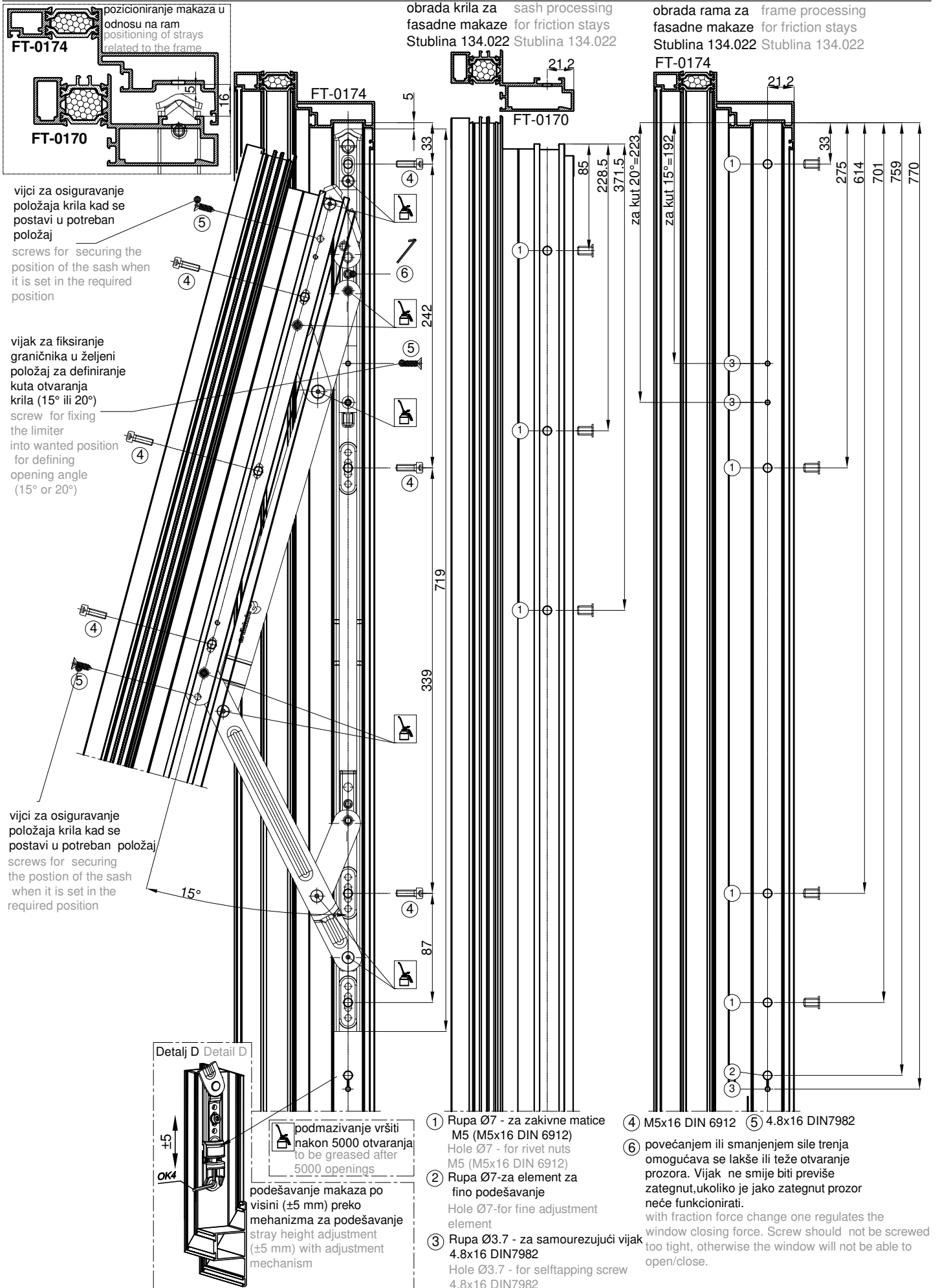
podmazivanje vršiti
nakon 5000 otvaranja
to be greased after
5000 openings

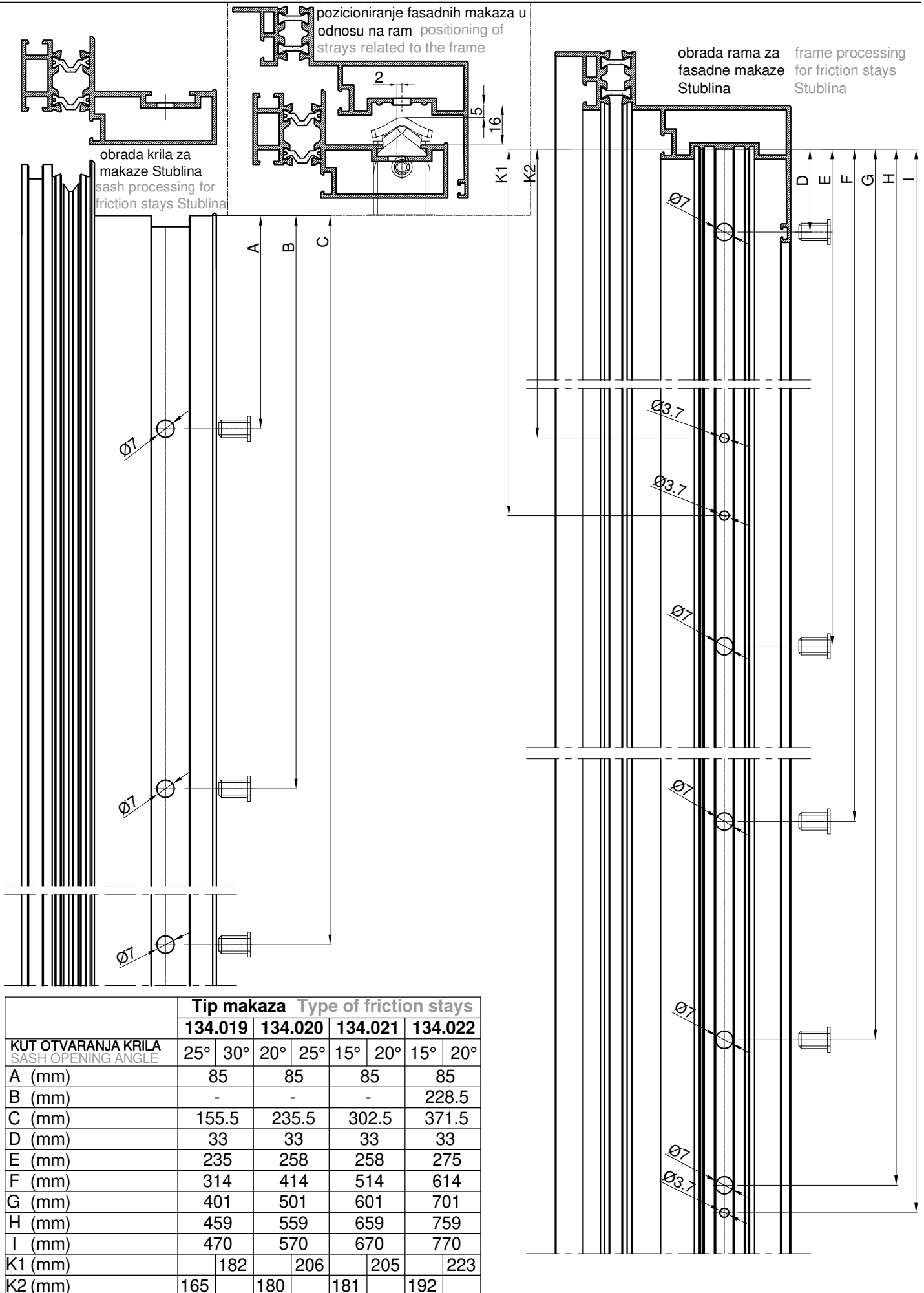
podešavanje makaza po
visini (±5 mm) preko
mehanizma za podešavanje
sash height adjustment
(±5 mm) with adjustment
mechanism

- ① Rupa Ø7 - za zakivne matice
M5 (M5x16 DIN 6912)
Hole Ø7 - for rivet nuts
M5 (M5x16 DIN 6912)
- ② Rupa Ø7-za element za
fino podešavanje
Hole Ø7-for fine adjustment
element
- ③ Rupa Ø3.7 - za samourezujući vijak
4.8x16 DIN7982
Hole Ø3.7 - for selftapping screw
4.8x16 DIN7982

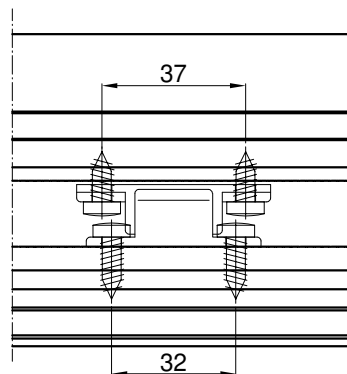
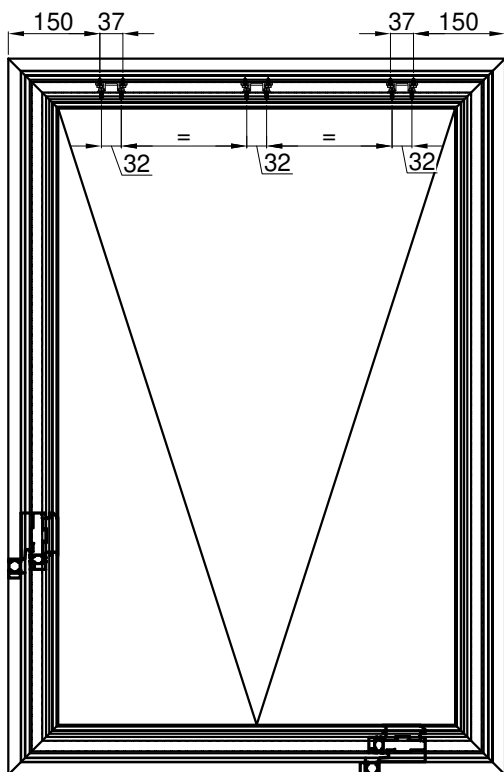
- ④ M5x16 DIN 6912
- ⑤ 4.8x16 DIN7982
- ⑥ povećanjem ili smanjenjem sile trenja
omogućava se lakše ili teže otvaranje
prozora. Vijak ne smije biti previše
zategnut, ukoliko je jako zategnut prozor
neće funkcionirati.
with fraction force change one regulates the
window closing force. Screw should not be screwed
too tight, otherwise the window will not be able to
open/close.





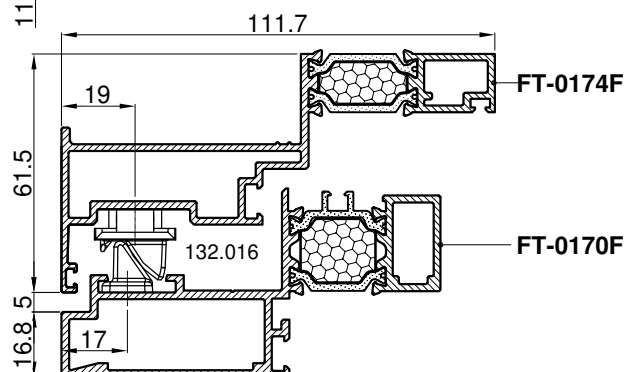
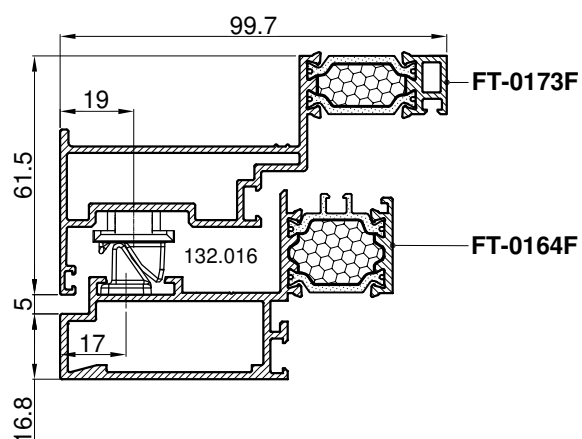
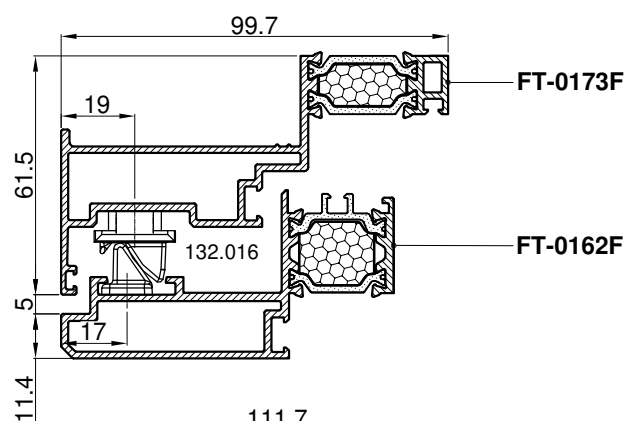
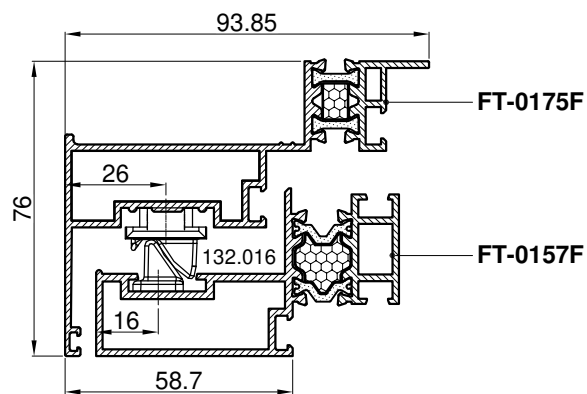
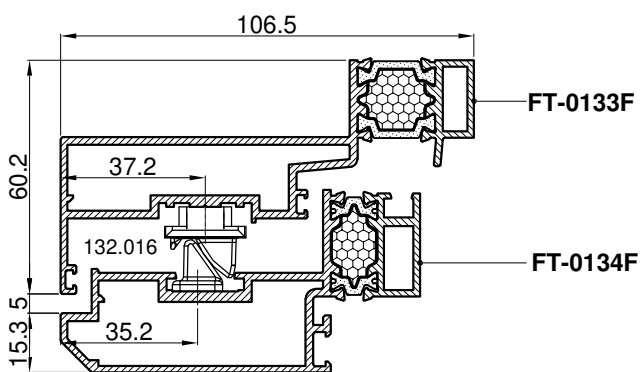


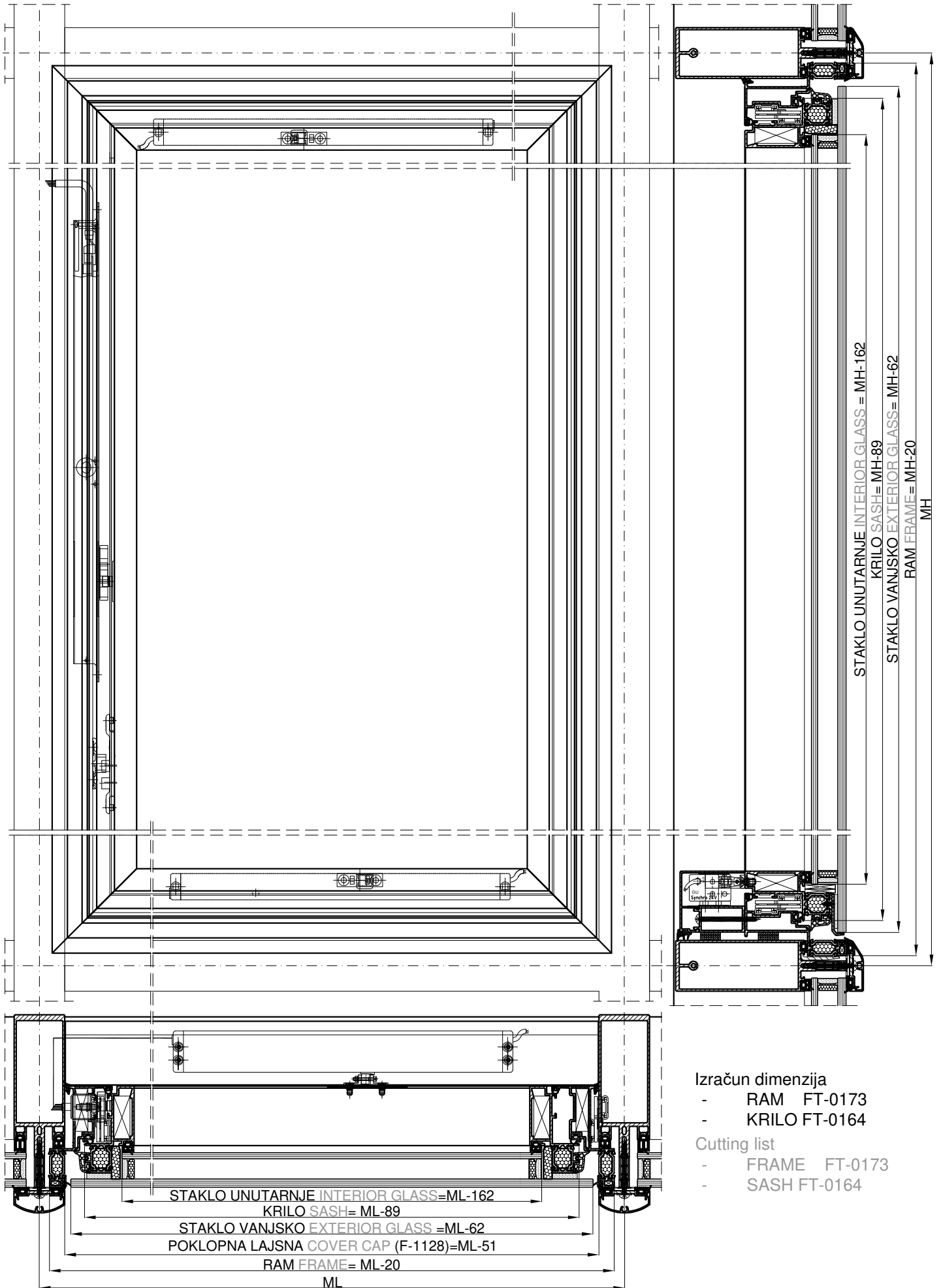
	Tip makaza Type of friction stays							
	134.019		134.020		134.021		134.022	
KUT OTVARANJA KRILA SASH OPENING ANGLE	25°	30°	20°	25°	15°	20°	15°	20°
A (mm)	85	85	85	85	85	85	85	85
B (mm)	-	-	-	-	-	-	228.5	228.5
C (mm)	155.5	235.5	235.5	302.5	302.5	371.5	371.5	371.5
D (mm)	33	33	33	33	33	33	33	33
E (mm)	235	258	258	258	258	275	275	275
F (mm)	314	414	414	514	514	614	614	614
G (mm)	401	501	501	601	601	701	701	701
H (mm)	459	559	559	659	659	759	759	759
I (mm)	470	570	570	670	670	770	770	770
K1 (mm)		182		206		205		223
K2 (mm)	165		180		181		192	



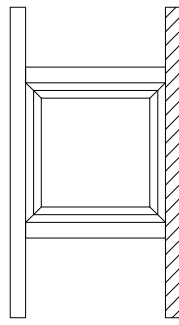
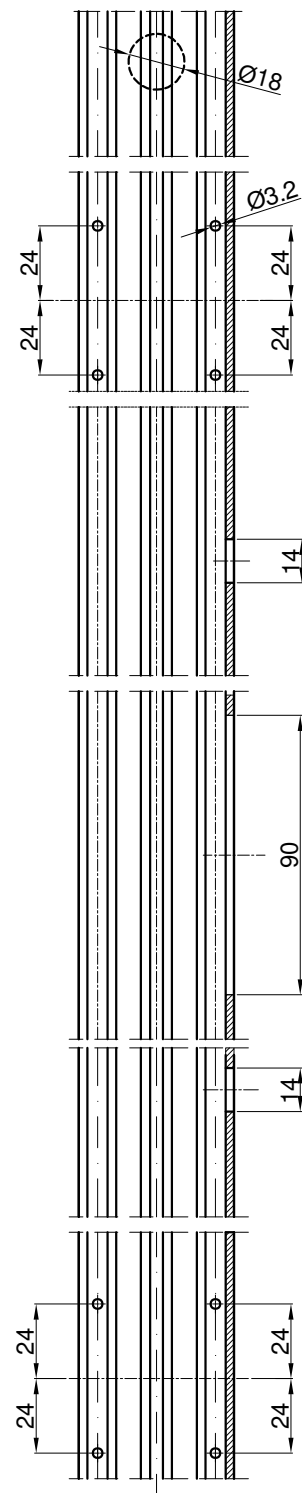
RAM FRAME	KRILO SASH	PASIVNO KLJUČANJE PASSIV LOCKING
FT-0133	FT-0134	132.016 (134.028)
FT-0173	FT-0162	132.016 (134.028)
FT-0174	FT-0170	132.016 (134.028)
FT-0175	FT-0157	132.016 (134.028)

*132.016 - G-U
*134.028 - Stublina

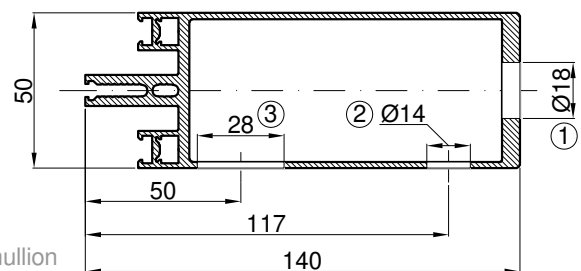
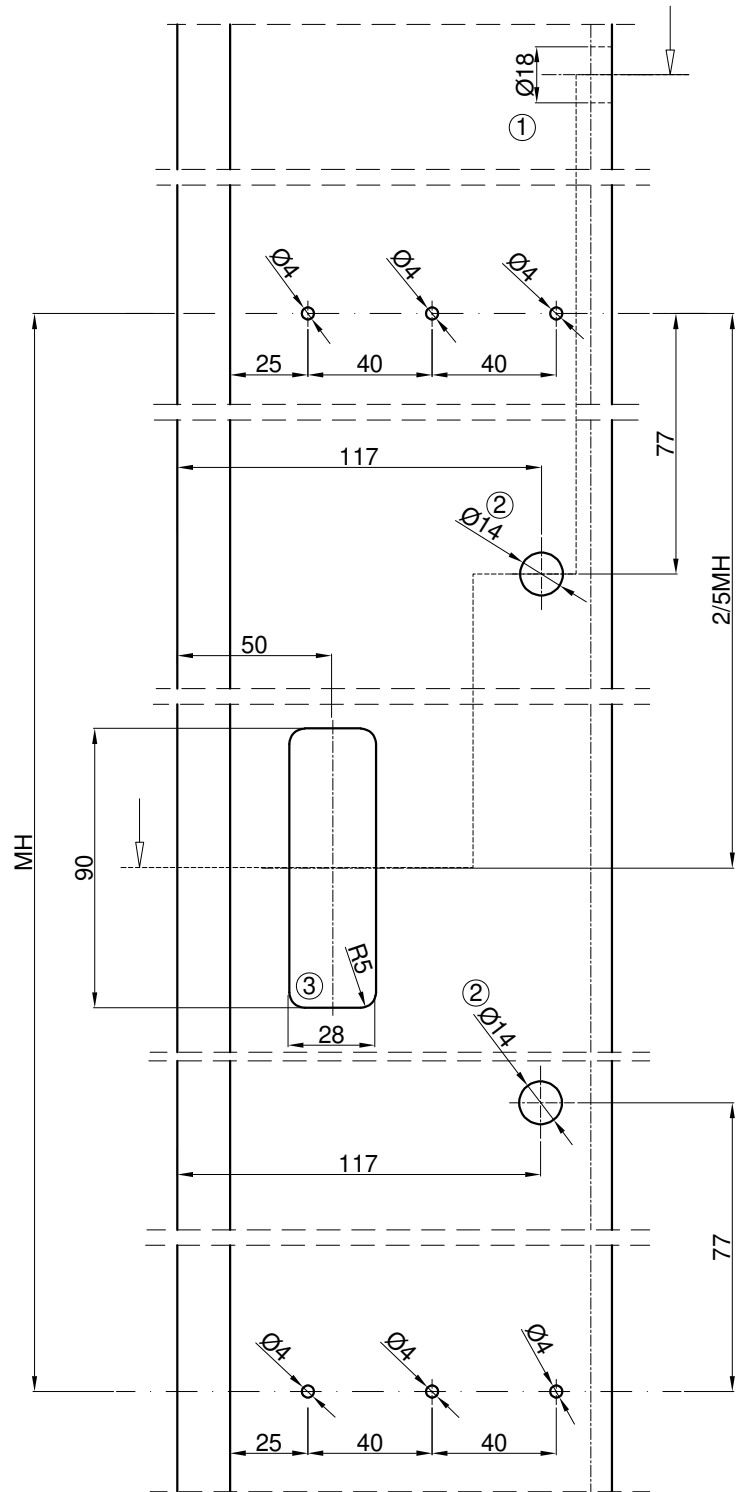
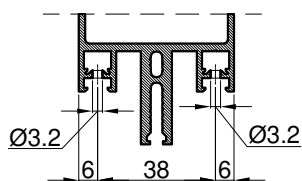




- Obrada desne okomice za motor za zaključavanje G-U VA 25
- Processing of right mullion for locking motor G-U VA 25

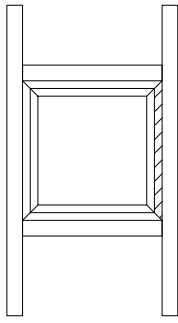


Pogled iznutra
Inside view

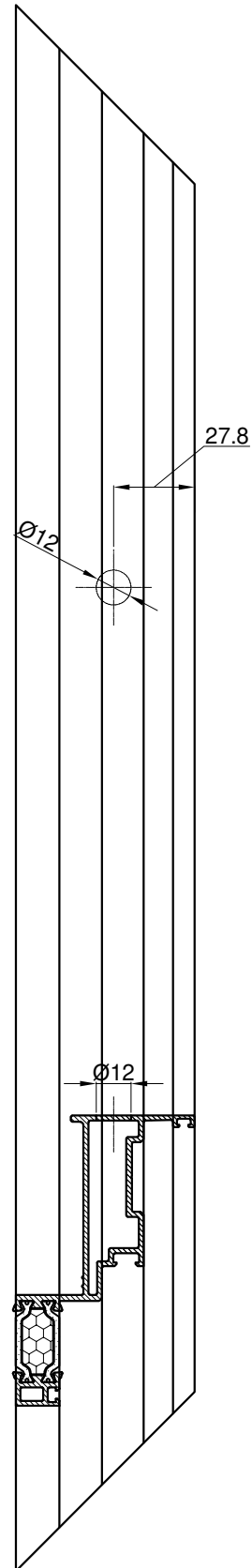
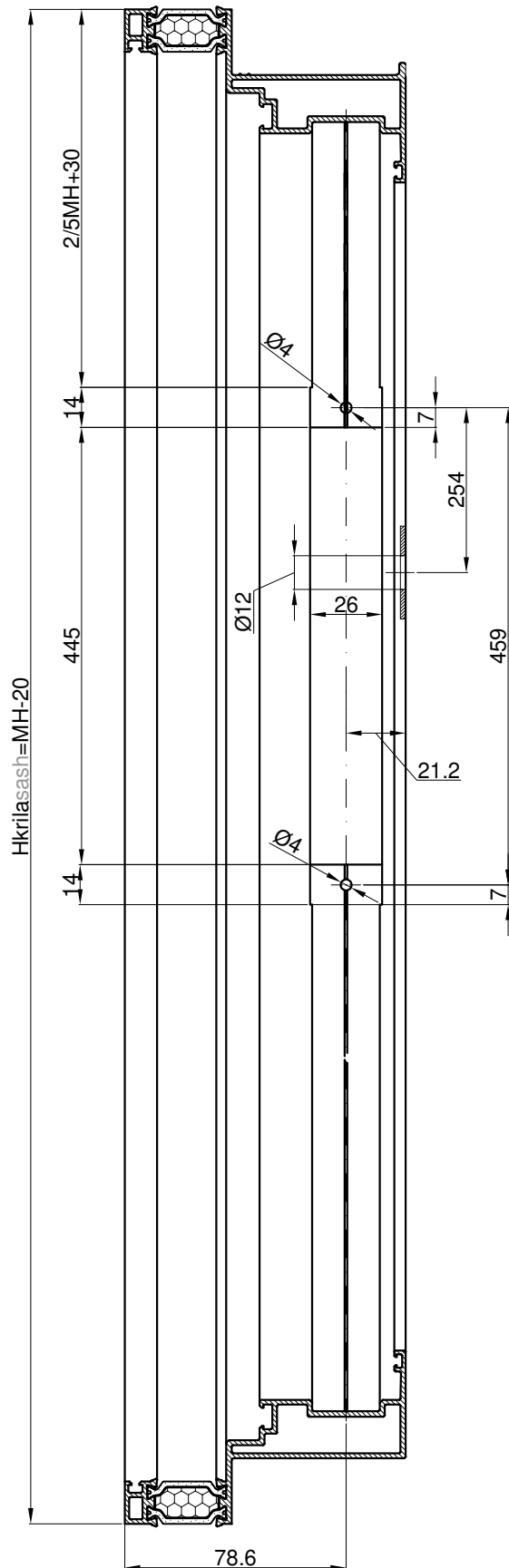


- ① Rupa za izvod kabela iz okomice
Hole for leading the cable from the mullion
- ② Rupa za uvod kabela motora otvaranja/zatvaranja u okomicu
Hole for leading the cable of opening/closing motor into the mullion
- ③ Rupa za uvod kabela motorazaključavanja u okomicu
Hole for leading the cable of the locking motor in the mullion

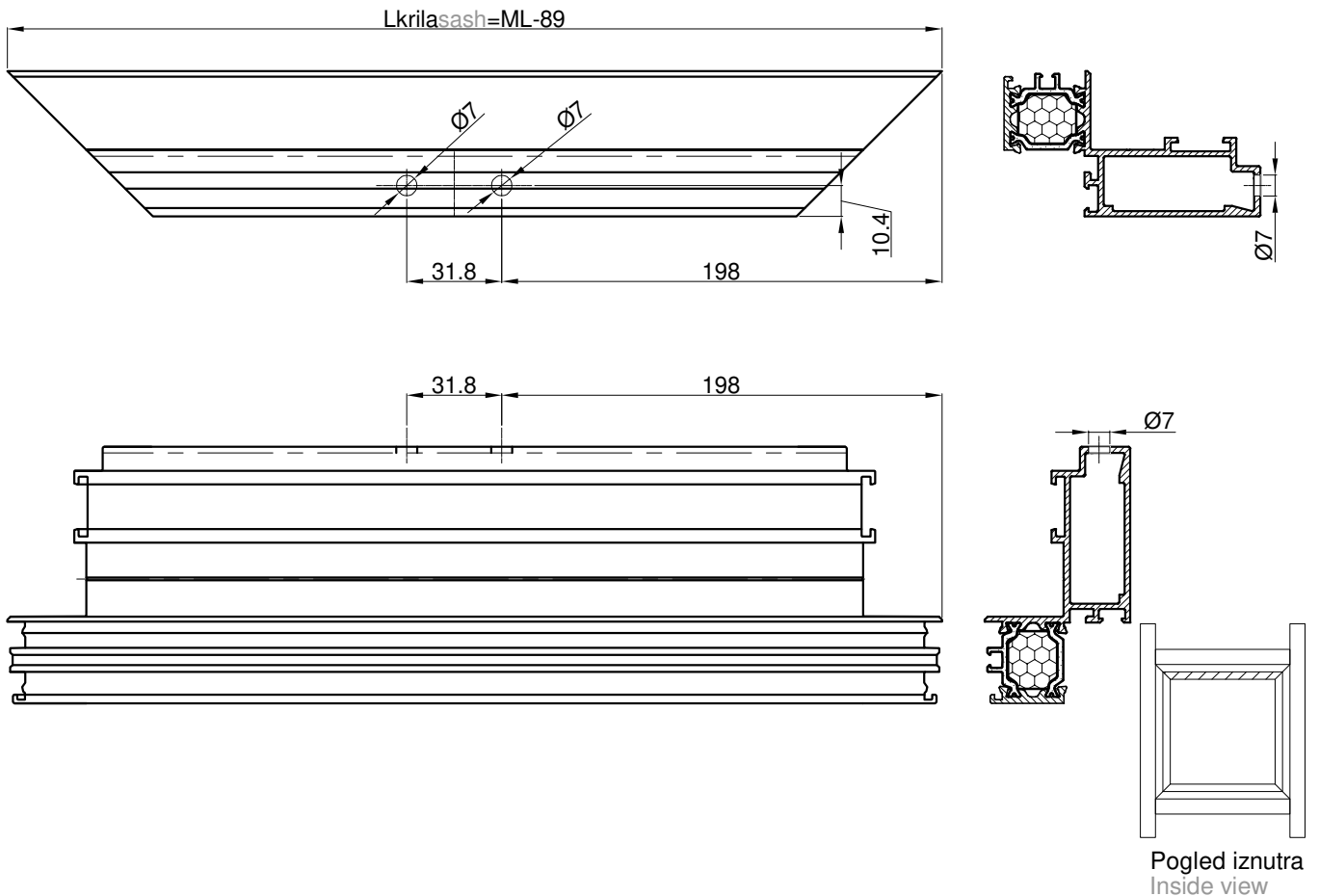
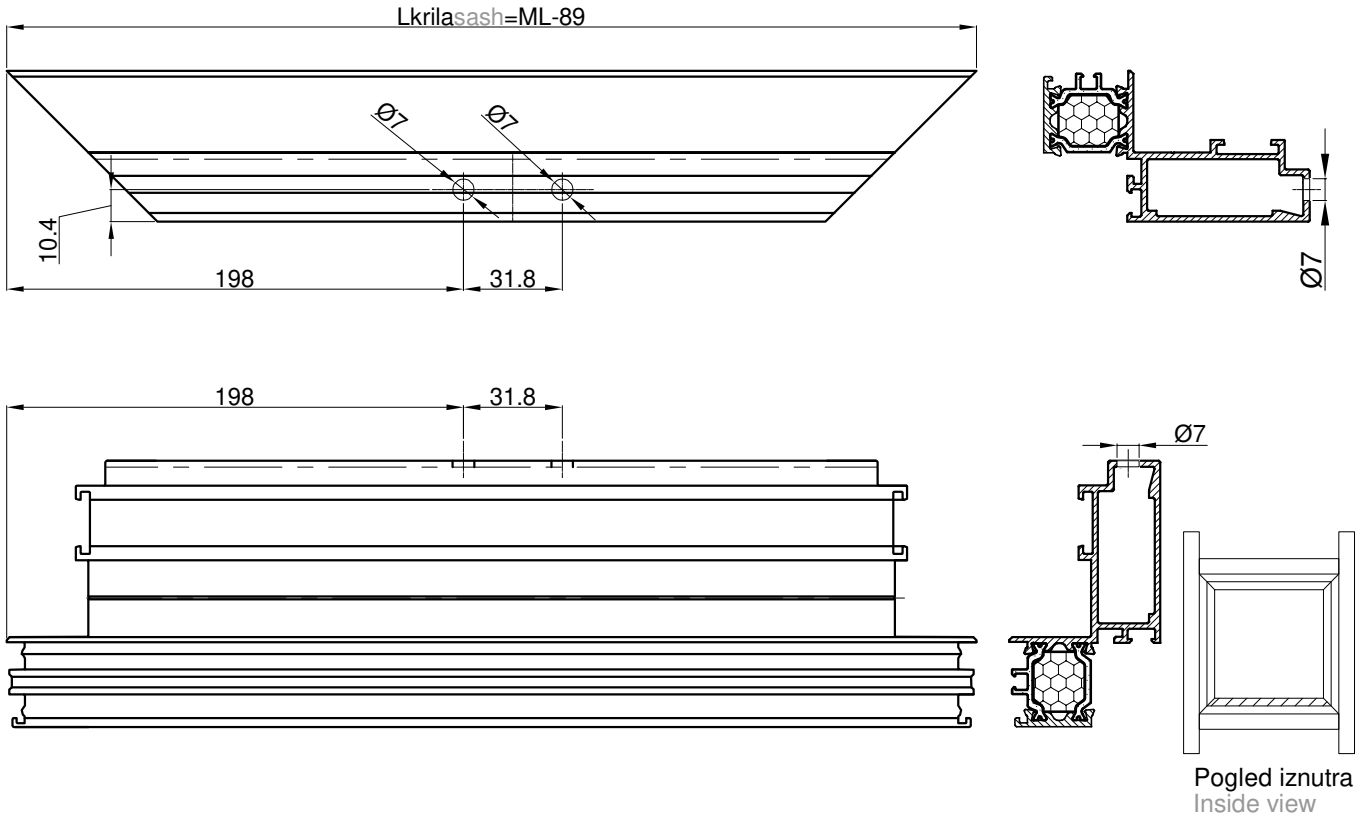
- Obrada desne okomice rama FT-173 za prihvat motora za zaključavanje G-U VA 25
- Processing of right vertical frame FT-173 for landing of the locking motor G-U VA 25



Pogled iznutra
Inside view

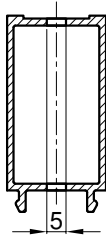
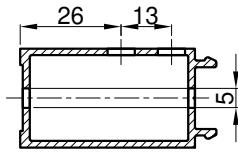


Obrada vodoravnica krila FT-164 Processing of horizontal sash profiles FT-164

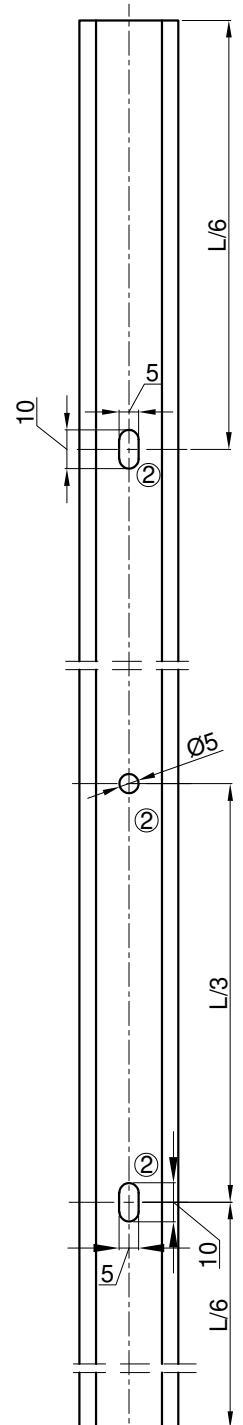
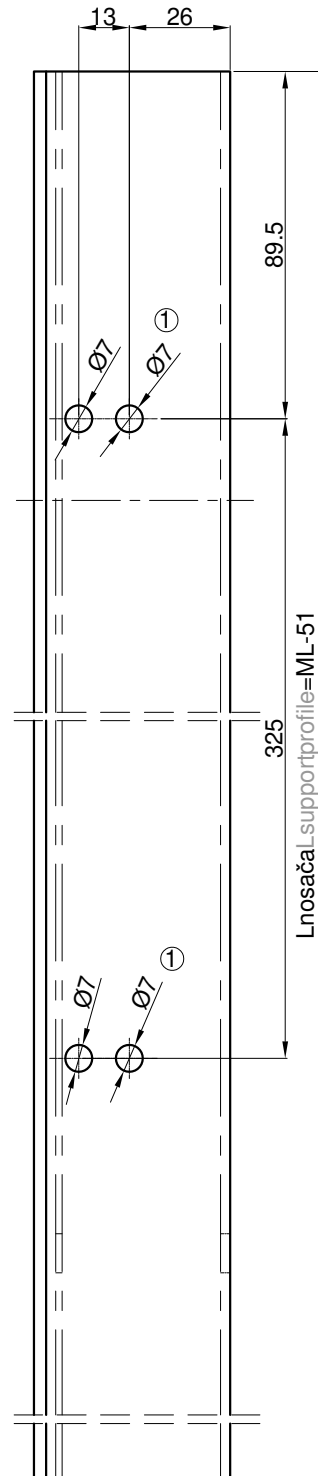
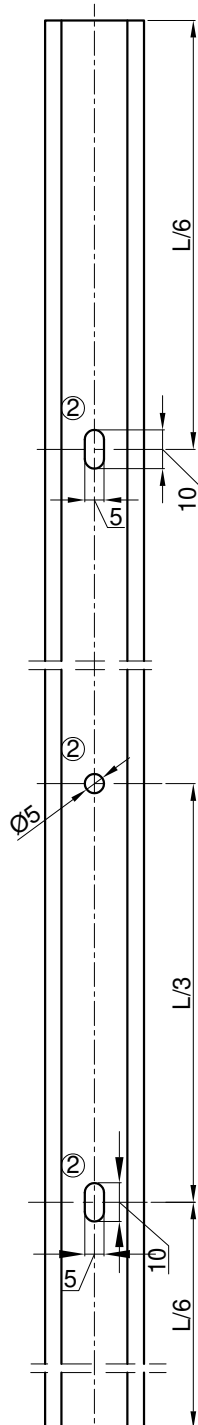
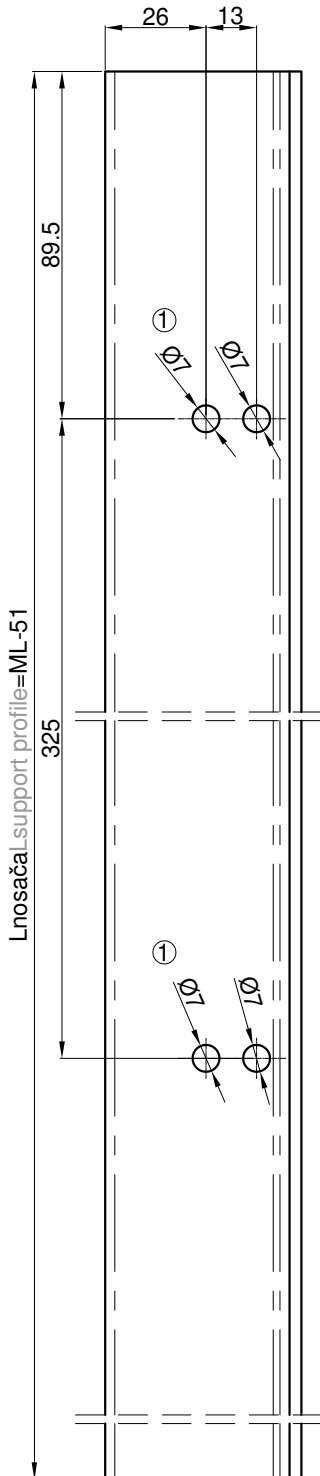
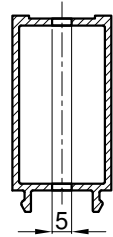
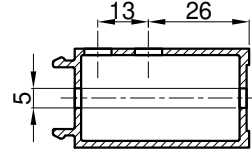


Obrada nosača F-1129 za prihvat motor K 20/25 300 mm
Processing of support profile F-1129 for K 20/25 300 mm

Nosač F-1129 gore
Support profile F-1129 up

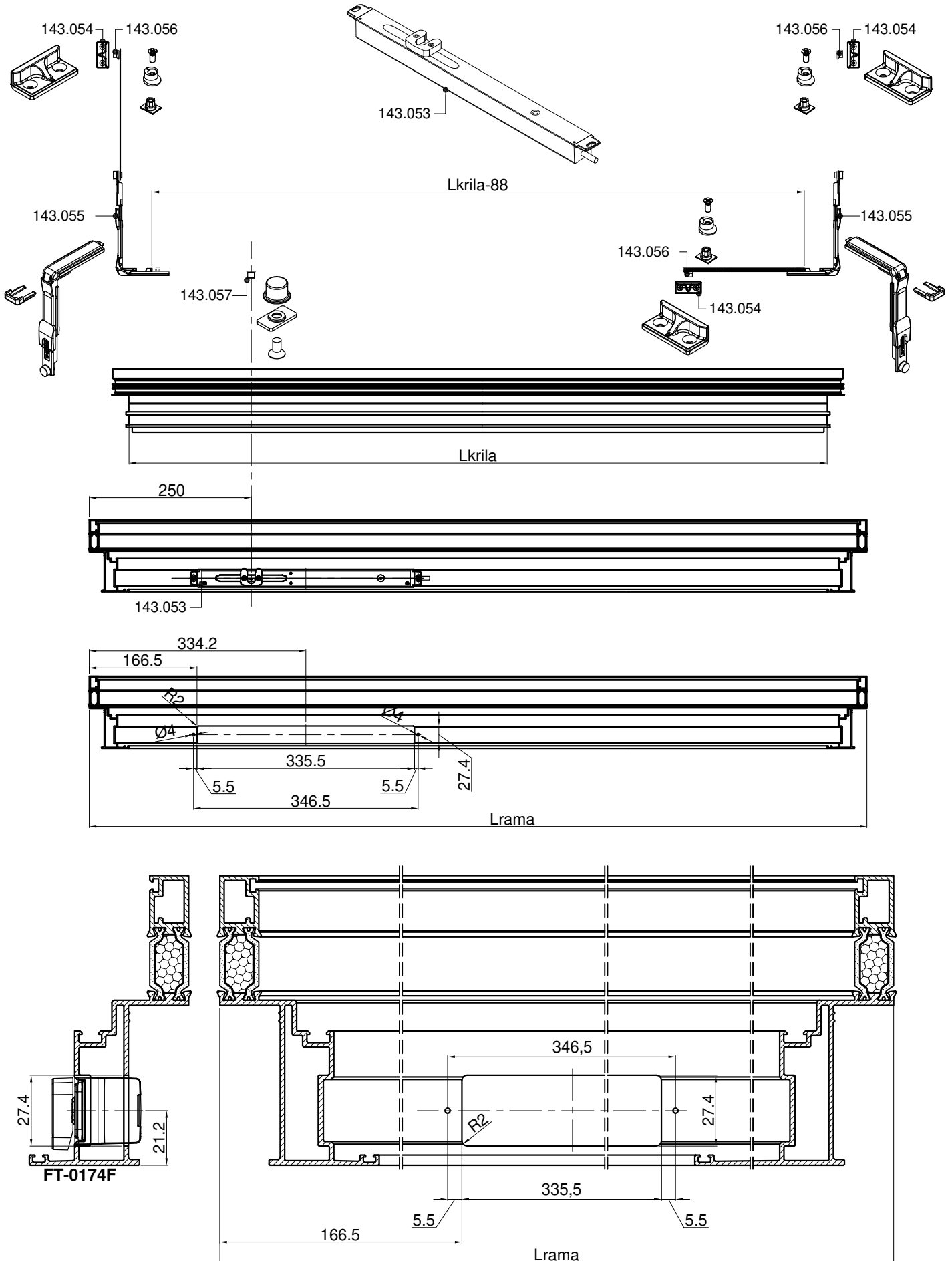


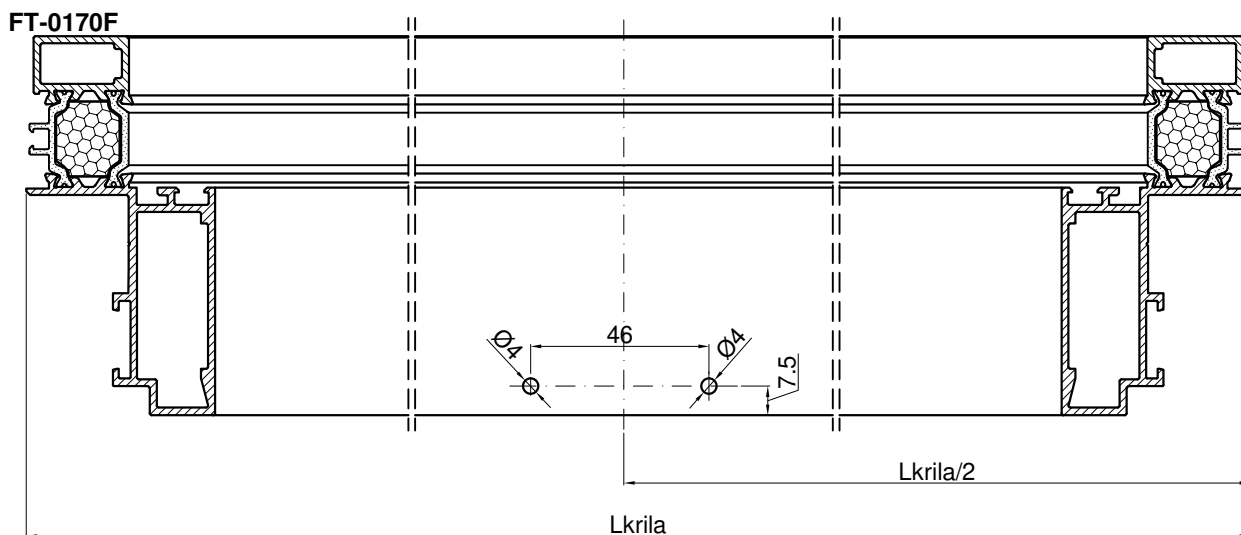
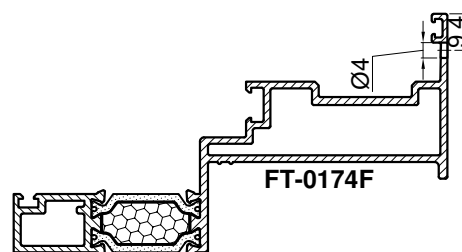
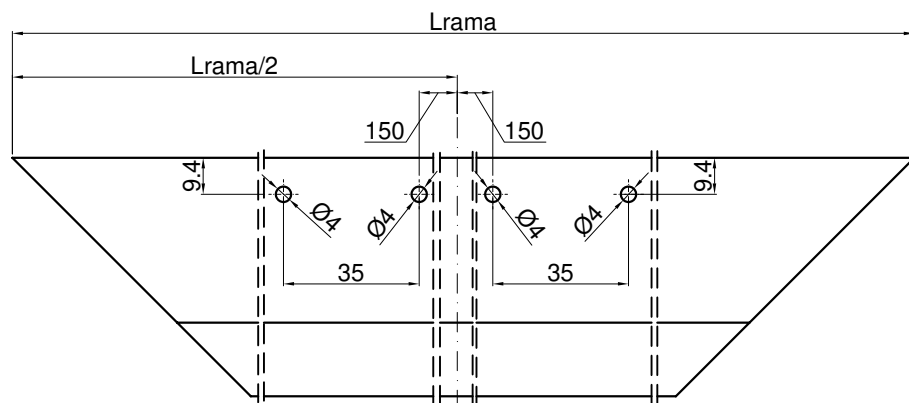
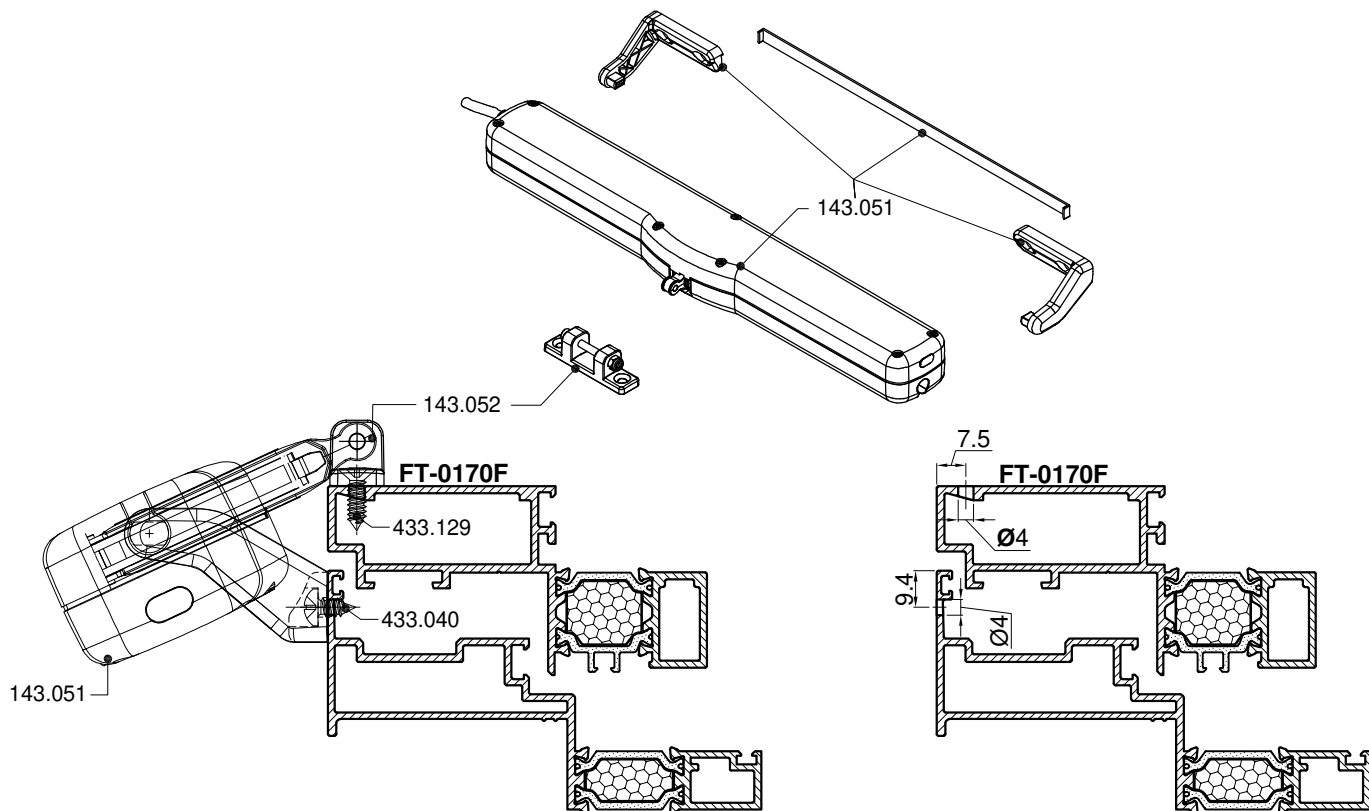
Nosač F-1129 dolje
Support profile F-1129 down



① Ø7 Rupa za fiksiranje motora na nosač
Ø7 Hole for fixing the profile on the support profile

② Ø5 Rupa za spoj nosača na ram FT-0173
Ø5 Hole for support profile-frame connection FT-0173

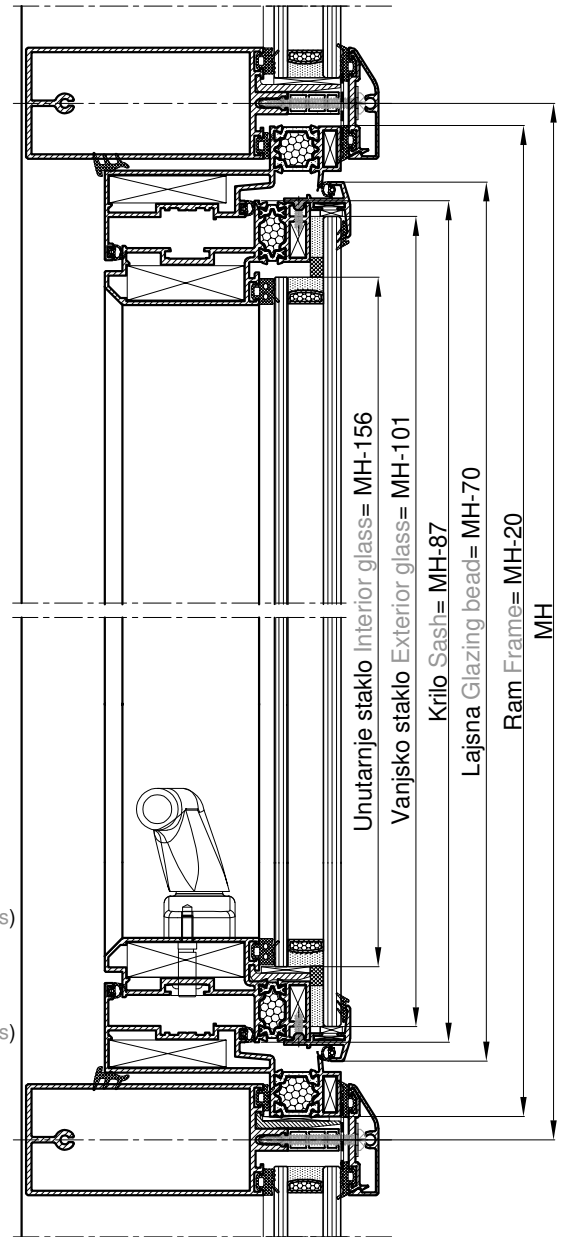




Rezne liste
Cutting lists

Rezna lista - Ram FT-0133F Cutting list -FRAME FT-0133F
- Krilo FT-0134F -SASH FT-0134F

naziv/kod name/code	mjera dimension	kom. pcs.	pilanje sawing angle
Profili Profiles			
Ram Frame FT-0133F	ML-20	2	45-45
Ram Frame FT-0133F	MH-20	2	45-45
Krilo Sash FT-0134F	ML-87	2	45-45
Krilo Sash FT-0134F	MH-87	2	45-45
Lajsna Glazing bead FM 30/20	ML-70	2	45-45
Lajsna Glazing bead FM 30/20	MH-70	2	45-45
Kutne spojnice Corner brackets			
Kutna spojnica Corner bracket 725.027		4	
Kutna spojnica Corner bracket 725.122		4	
Kutna spojnica Corner bracket 725.025		4	
Kutna spojnica Corner bracket 725.028		4	
Kutna spojnica Corner bracket 725.301		4	
Kutna spojnica Corner bracket 730.002		4	
Brtve Gaskets			
Brtva Gasket 328.001	6L+6H		
Brtva Gasket 318.001	2LkrLsa+2HkrHsa		
Brtva Gasket 358.014	2LkrLsa+2HkrHsa		
Brtva Gasket 311.007	2LkrLsa+2HkrHsa		
Okovi i vijci Hardware and screws			
Makaze fasadnog ventusa (vrsta ovisno o visini prozora) Friction stays (type depending on window height)		1 par 1 pair	
Okov fasadnog ventusa sa mogućnošću zaključavanja u više točaka: Hung vent hardware with option of multiple locking points		1 par	
Zaključavanje u donjem pojasu: Lower position locking:	101.000 133.003 133.005	1 1 (jedno zaklj. one lock) set 1 (tri zaklj. three locks)	
Zaključavanje u donjem pojasu i bočno: Lower and side position locking	101.000 133.003 133.004 133.005	1 1 set 1 set 1 (tri zaklj. three locks)	
Vijak Screw 433.092	(2LlajsneLbead+2HlajsneLbead)/250		
Vijak Screw 433.043	(2L+2H)/300		
Staklo vanjsko Exterior glass	(ML-101)x(MH-101)	1	
Staklo unutarnje Interior glass	(ML-156)x(MH-156)	1	



Rezna lista - Ram FT-0173F
- Krilo FT-0162F

Cutting list -Frame FT-0173F
-Sash FT-0162F

naziv/kod name/code	mjera dimension	kom. pcs.	pilanje sawing angle
Profili			
Ram Frame FT-0173F	ML-20	2	45-45
Ram Frame FT-0173F	MH-20	2	45-45
Krilo Sash FT-0162F	ML-89.5	2	45-45
Krilo Sash FT-0162F	MH-89.5	2	45-45

Kutne spojnice Corner brackets

Kutna spojnica Corner bracket 725.118		8
Kutna spojnica Corner bracket 725.401		4
Kutna spojnica Corner bracket 730.002		4

Brtve Gaskets

Brtva Gasket 351.001	2LkrLsa+2HkrHsa
Brtva Gasket 351.002	2LkrLsa+2HkrHsa
Brtva Gasket 328.001	2LkrLsa+2HkrHsa
Brtva Gasket 351.003	2H+2L
Brtva Gasket 358.014	2LkrLsa+2HkrHsa
Brtva Gasket 318.002	2L+2H

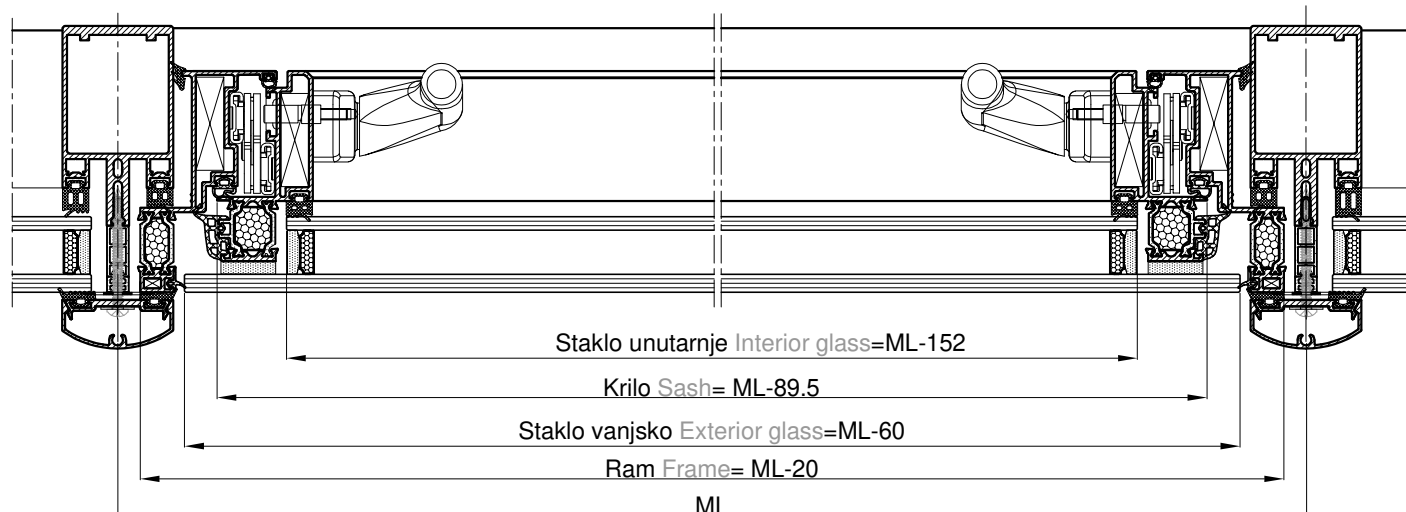
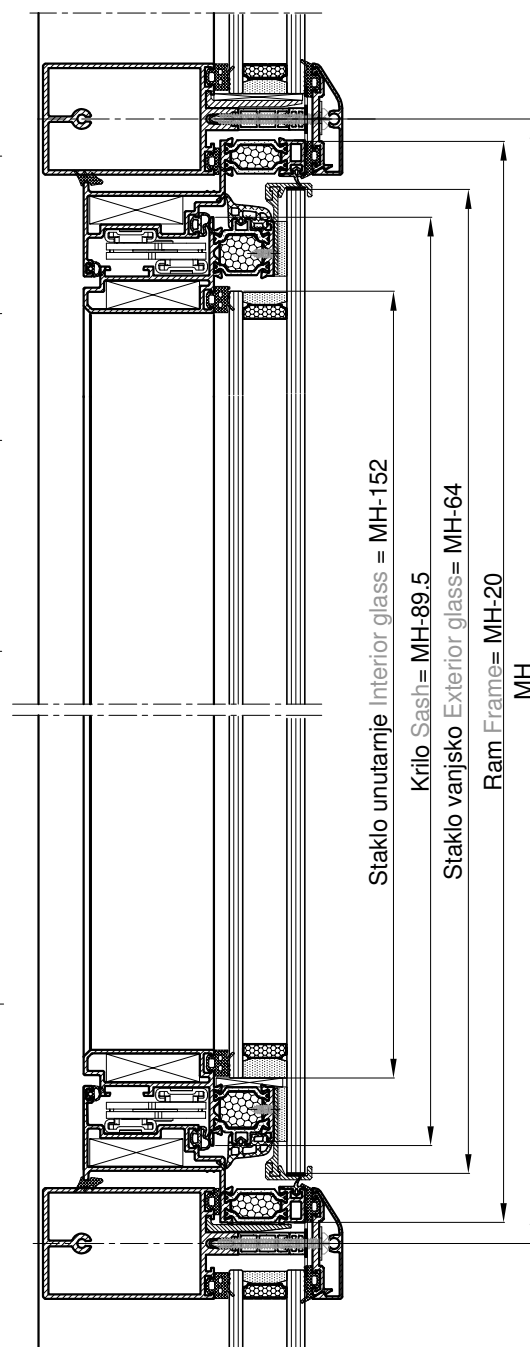
Okovi i vijci Hardware and screws

Izbor mehanizma za ručno paralelno otvaranje ovisno o dimenzijama otvora - prema shemama okova str.501.06.007 do 501.06.013

Selection of hardware for manual parallel opening depends upon window dimensions - according to the schematic on pages 501.06.007 through 501.06.013

Vijak Screw 433.044	(2L+2H)/300	
Sigur. držač Exterior glass support 521.041		4

Staklo vanjsko Exterior glass	(ML-60)x(MH-64)	1
Staklo unutarnje Interior glass	(ML-152)x(MH-152)	1



Rezna lista - Ram FT-0173F Cutting list - Frame FT-0173F
 - Krilo FT-0164F - Sash FT-0164F

naziv/kod name/code	mjera dimension	kom. pcs.	pilanje sawing angle
Profili Profiles			
Ram Frame FT-0173F	ML-20	2	45-45
Ram Frame FT-0173F	MH-20	2	45-45
Krilo Sash FT-0164F	ML-89.5	2	45-45
Krilo Sash FT-0164F	MH-89.5	2	45-45
Držač motora Motor support F-1129	ML-51	1	90-90
Pokl. lajsna Motor cover cap F-1128	ML-51	1	90-90

Kutne spojnice Corner brackets

Kutna spojnica Corner bracket 725.118	4
Kutna spojnica Corner bracket 725.401	4
Kutna spojnica Corner bracket 725.034	4
Kutna spojnica Corner bracket 730.002	4

Brtve Gaskets

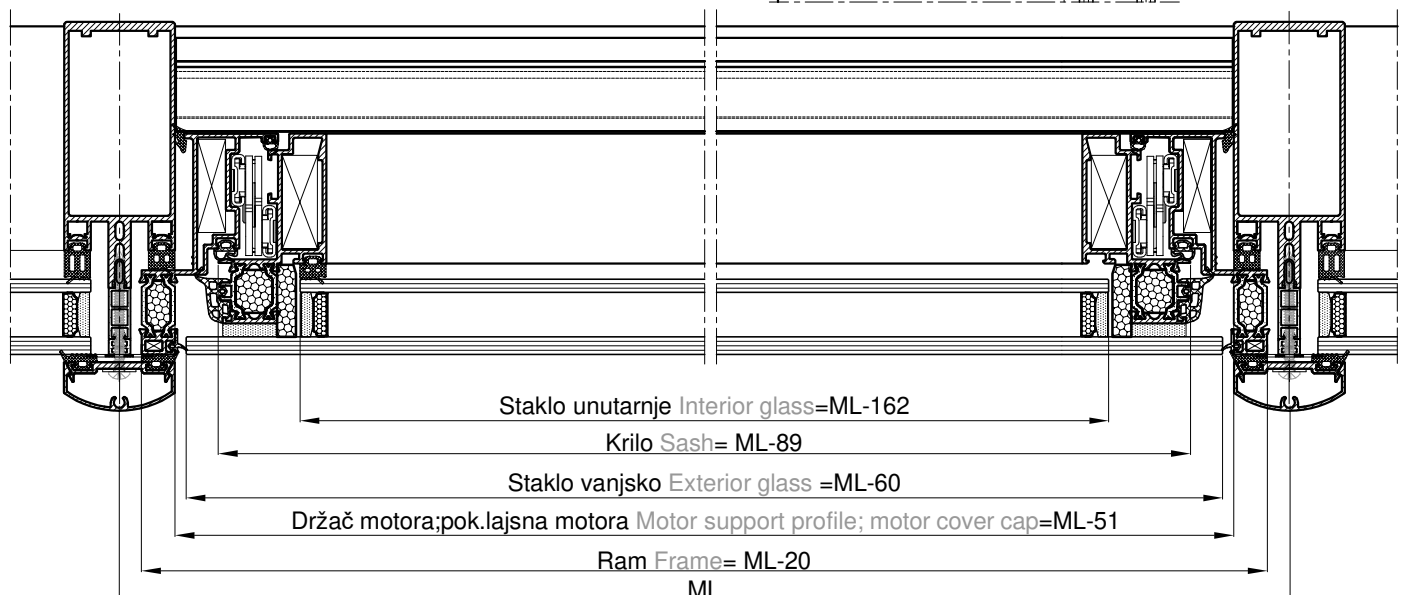
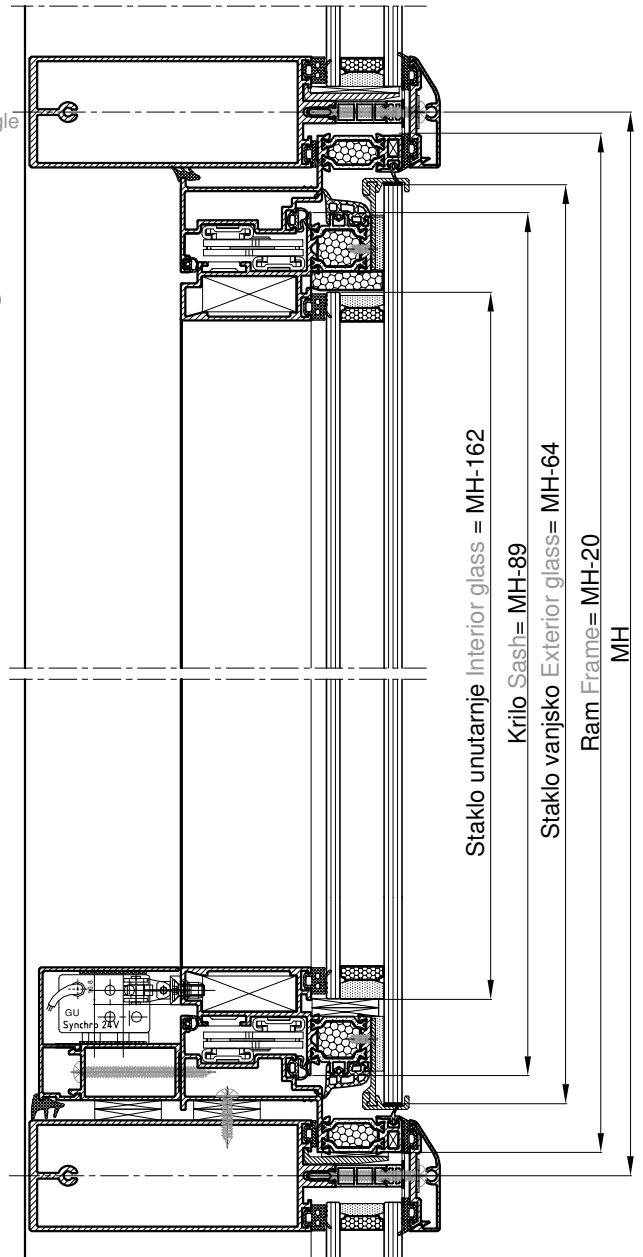
Brtva Gasket 351.001	2LkrLsa+2HkrHsa
Brtva Gasket 351.002	2LkrLsa+2HkrHsa
Brtva Gasket 328.001	2LkrLsa+2HkrHsa
Brtva Gasket 351.003	2H+2L
Brtva Gasket 358.014	2LkrLsa+2HkrHsa
Brtva Gasket 311.009	2L
Brtva Gasket 311.007	2H

Okovi i vijci Hardware and screws

Izbor mehanizma za motorno paralelno otvaranje ovisno o dimenzijama otvora - prema shemama okova str.501.06.007 do 501.06.015

Selection of hardware for motorized parallel opening depends upon window dimensions - according to the schematic on pages 501.06.007 through 501.06.015

Vijak Screw 433.044	(2L+2H)/300	
Vijak Screw 433.050	(ML-51)/300	
Sigur. držač Exterior glass support 521.041	4	
Staklo vanjsko Exterior glass	...	(ML-60)x(MH-64)	1
Staklo unutarnje Interior glass	...	(ML-162)x(MH-162)	1



Rezna lista - Ram FT-0174F Cutting list -Frame FT-0174F
 - Krilo FT-0170F -Sash FT-0170F

naziv/kod name/code	mjera dimension	kom. pcs.	pilanje sawing angle
Profili Profiles			
Ram Frame FT-0174F	ML-20	2	45-45
Ram Frame FT-0174F	MH-20	2	45-45
Krilo Sash FT-0170F	ML-89.5	2	45-45
Krilo Sash FT-0170F	MH-89.5	2	45-45

Kutne spojnice Corner brackets

Kutna spojnica Corner bracket 725.212		4
Kutna spojnica Corner bracket 725.118		4
Kutna spojnica Corner bracket 725.034		4
Kutna spojnica Corner bracket 710.153		4
Kutna spojnica Corner bracket 730.002		4

Brtve Gaskets

Brtva Gasket 351.001	2LkrLsa+2HkrHsa
Brtva Gasket 351.002	2LkrLsa+2HkrHsa
Brtva Gasket 328.001	2LkrLsa+2HkrHsa
Brtva Gasket 351.003	2H+2L
Brtva Gasket 358.011	2LkrLsa+2HkrHsa
Brtva Gasket 318.002	2L+2H
Izolacijski umetak Isolation 340.013	2(LkrLsa-53)+2(HkrHsa-76)

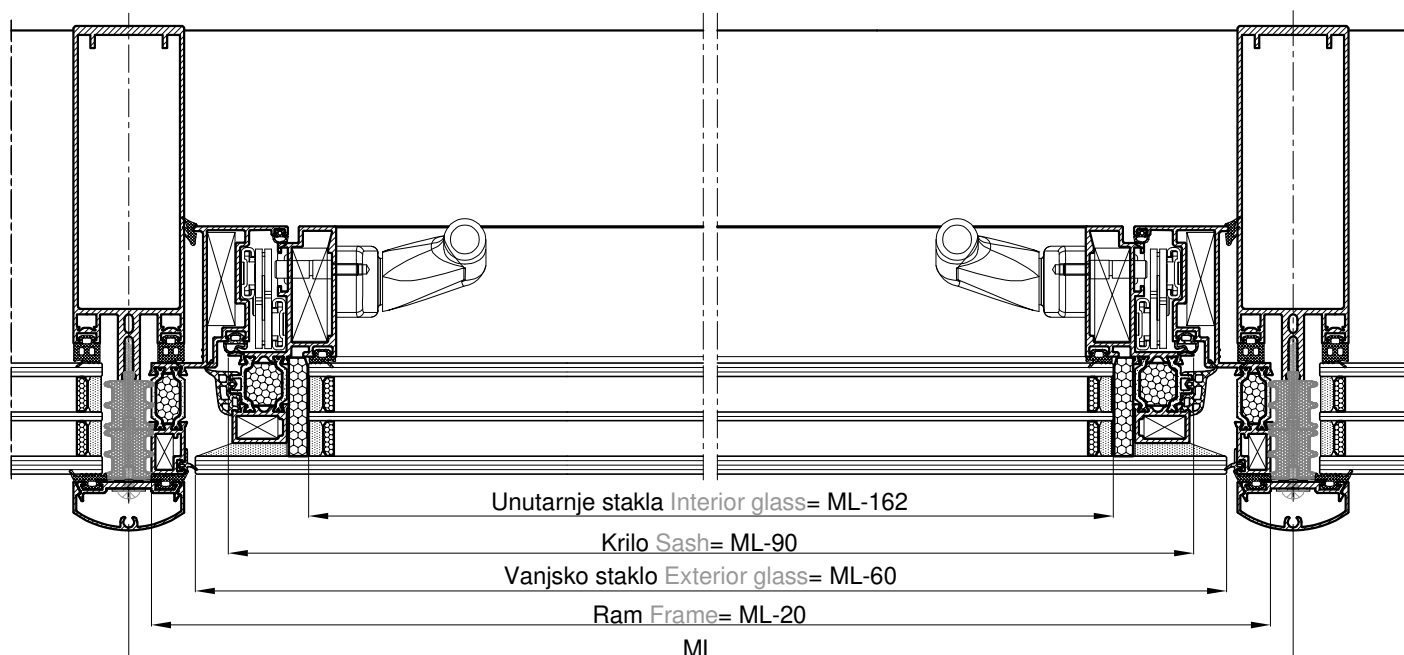
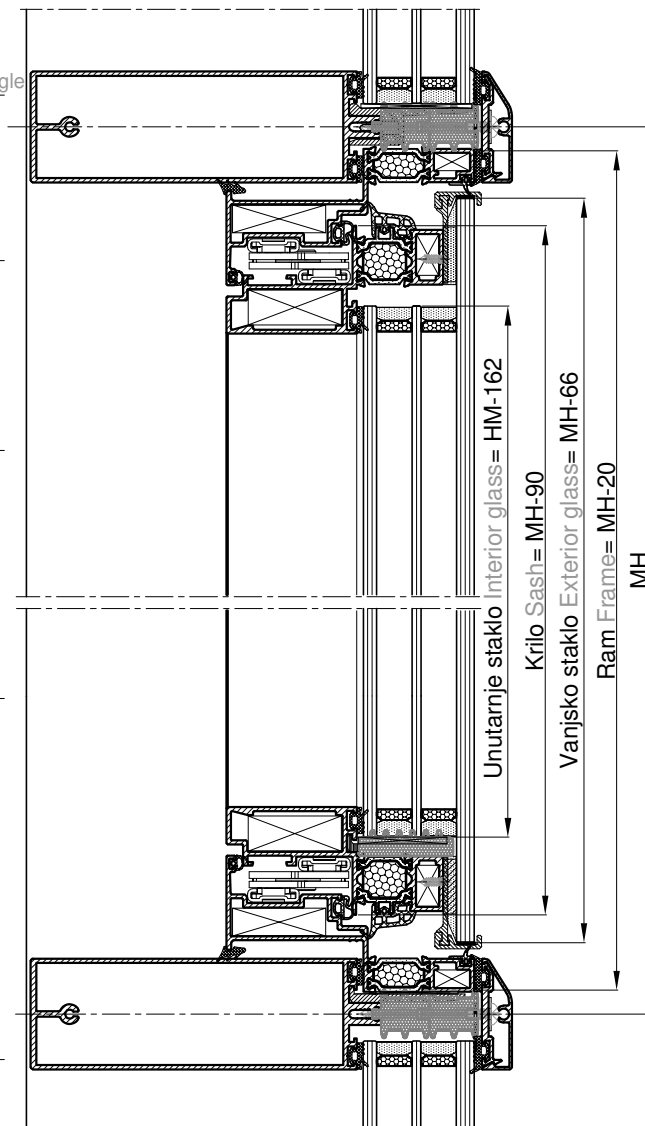
Okovi i vijci

Izbor mehanizma za ručno paralelno otvaranje ovisno o dimenzijama otvora - prema shemama okova str.501.06.007 do 501.06.013

Selection of hardware for manual parallel opening depends upon window dimensions - according to the schematic on pages 501.06.007 through 501.06.013

Vijak Screw 433.044	(2L+2H)/300
Držač stakla Glass support 521.014	2
Sigur. držač Exterior glass support 521.041	4

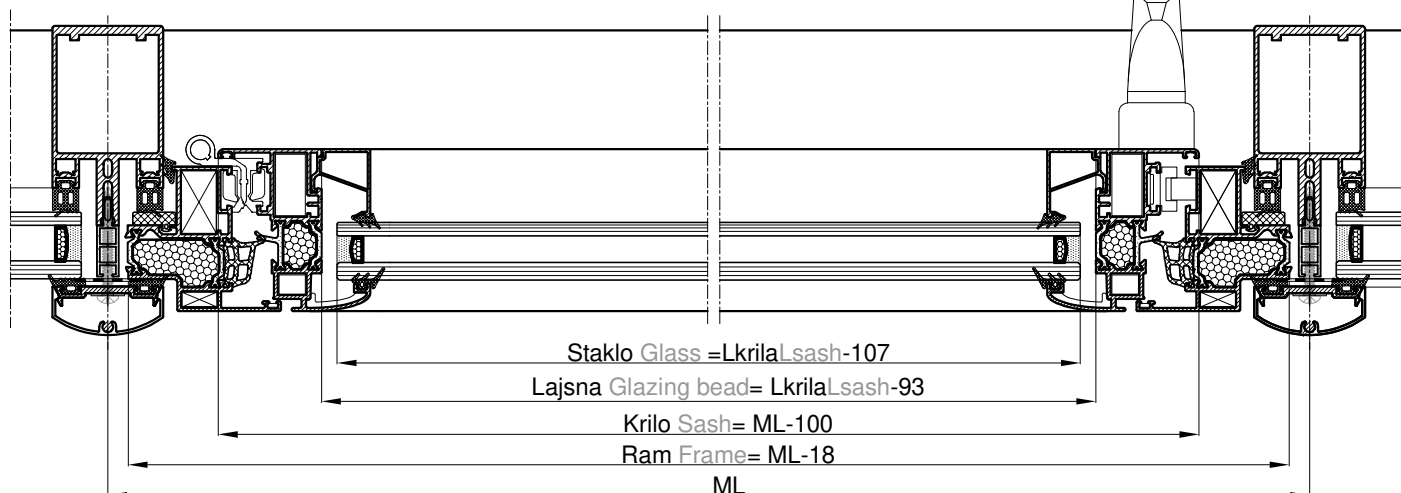
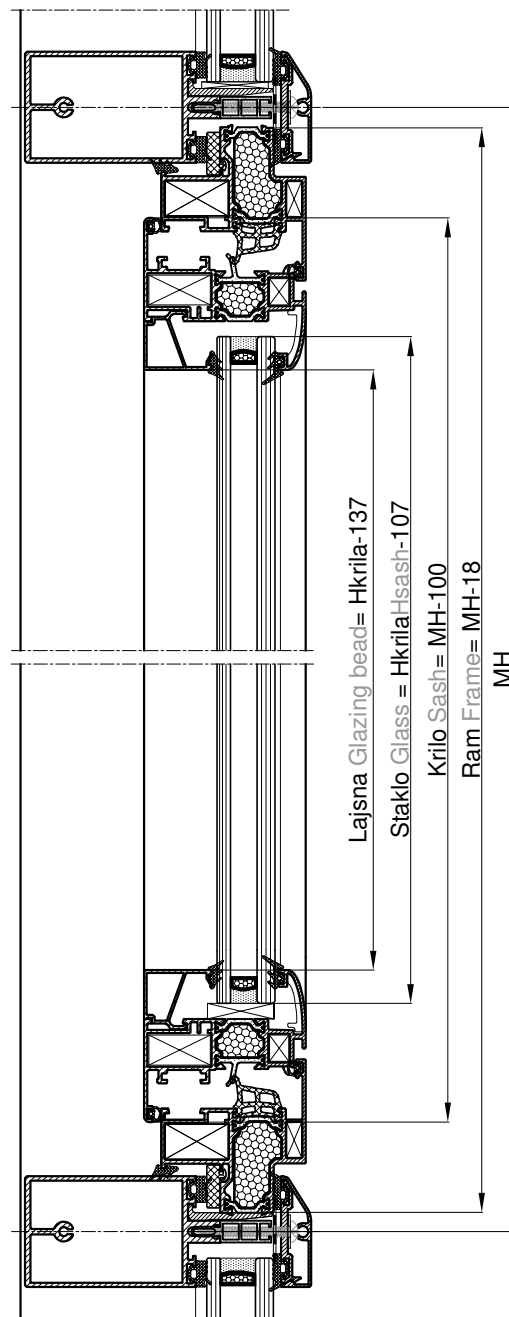
Staklo vanjsko Exterior glass	(ML-60)x(MH-66)	2
Staklo unutarnje Interior glass	(ML-162)x(MH-162)	1



Rezna lista - Ram FT-0261F
- Krilo FT-0203F

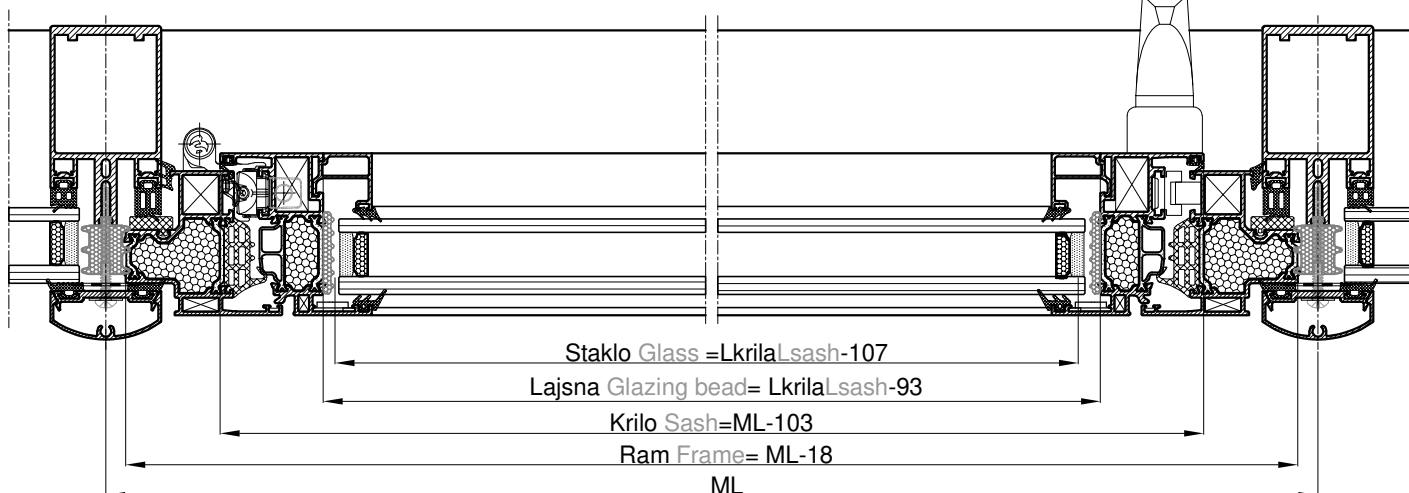
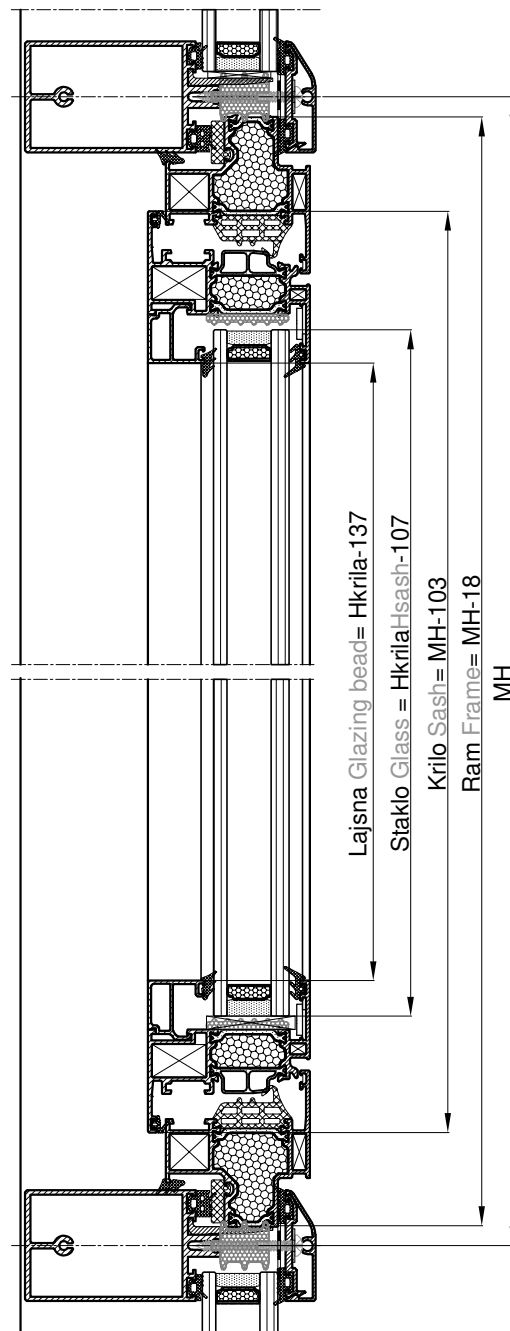
Cutting list - Frame FT-0261F
- Sash FT-0203F

naziv/kod name/code	mjera dimension	kom. pcs.	pilanje sawing angle
Profili Profiles			
Ram Frame FT-0261F	ML-18	2	45-45
Ram Frame FT-0261F	MH-18	2	45-45
Krilo Sash FT-0203F	ML-100	2	45-45
Krilo Sash FT-0203F	MH-100	2	45-45
Lajsna Glazing bead Z40-668	LkrLsa-93	2	90-90
Lajsna Glazing bead Z40-668	HkrHsa-137	2	90-90
Kutne spojnice Corner brackets			
Kutna spojnica Corner bracket 710.469	4	
Kutna spojnica Corner bracket 710.452	4	
Kutna spojnica Corner bracket 710.458	4	
Kutna spojnica Corner bracket 710.443	4	
Kutna spojnica Corner bracket 730.005	4	
Kutna spojnica Corner bracket 730.001	4	
Kutna spojnica Corner bracket 730.002	4	
Brtve Gaskets			
Centralna brtva Central gasket 331.001	2LkrLsa+2HkrHsa	
Brtva Gasket 354.011	2L+2H	
Brtva Gasket 328.001	2LkrLsa+2HkrHsa	
Brtva prema staklu vanjska 328.002	2Lkr+2Hkr	
Exterior glass gasket 328.002	2Lsar+2Hsa	
Brtva prema staklu unutarnja 318.001	2Lkr+2Hkr	
Interior glass gasket 318.001	2Lsa+2Hsa	
Brtva (spoj fasade i rama) 318.002	2L+2H	
Gasket (between facade and frame) 318.002	2L+2H	
Okovi i vijci Hardware and screws			
Zakretno otklopni mehanizam	1 komplet	
Turn tilt mechanism	1 set	
Vijak Screw 433.049	(2L+2H)/300	
Staklo 26 mm Glass 26 mm	(LkrLsash-107)x(HkrHsash-107)	1



Rezna lista - Ram FT-1403F Cutting list - Frame FT-1403F
 - Krilo FT-1420F - Sash FT-1420F

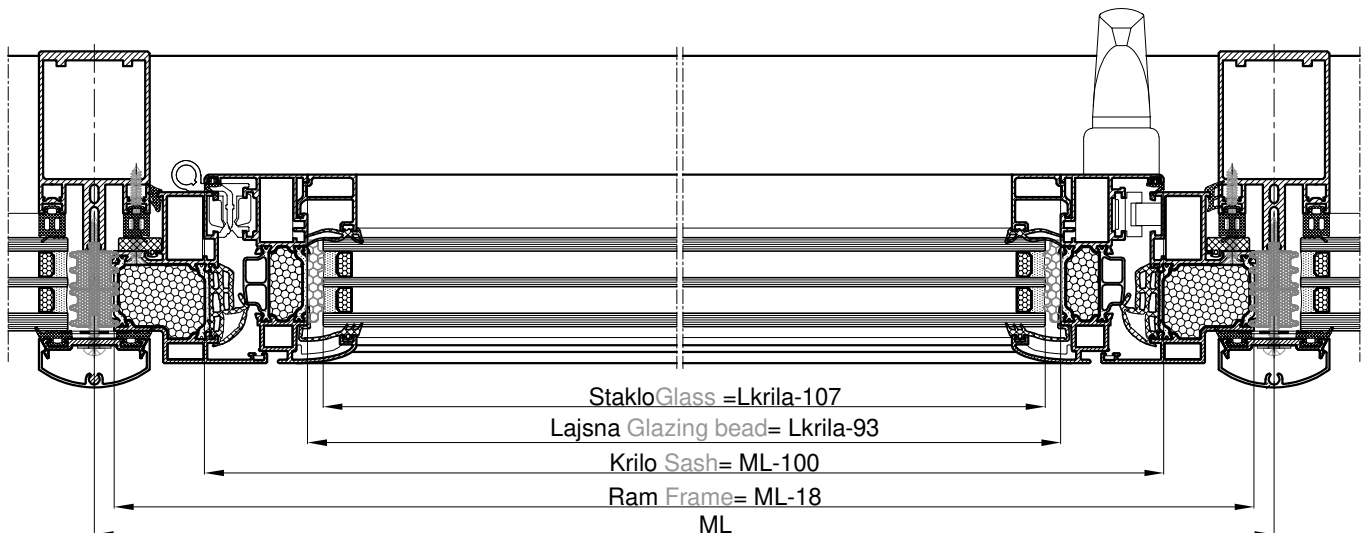
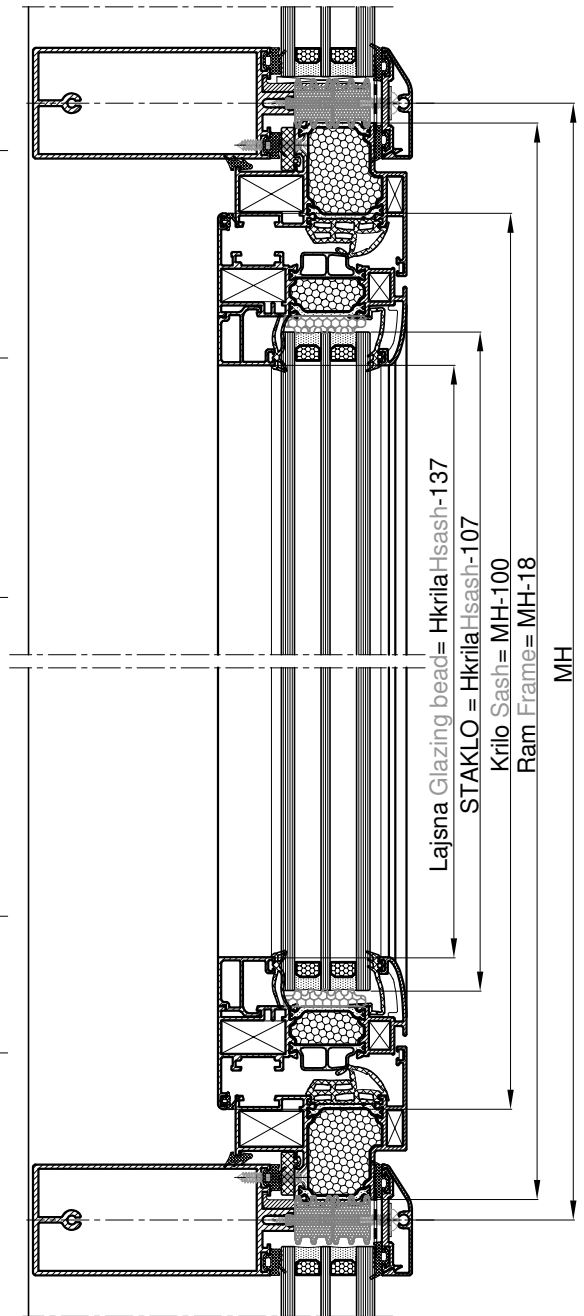
naziv/kod name/code	mjera dimension	kom. pcs.	pilanje sawing angle
Profili Profiles			
Ram Frame FT-1403F	ML-18	2	45-45
Ram Frame FT-1403F	MH-18	2	45-45
Krilo Sash FT-1420F	ML-103	2	45-45
Krilo Sash FT-1420F	MH-103	2	45-45
Lajsna Glazing bead Z40-667	LkrLsa-93	2	90-90
Lajsna Glazing bead Z40-667	HkrHsa-137	2	90-90
Kutne spojnice Corner brackets			
Kutna spojnica Corner bracket 710.593	4	
Kutna spojnica Corner bracket 725.032	4	
Kutna spojnica Corner bracket 710.571	4	
Kutna spojnica Corner bracket 710.570	4	
Kutna spojnica Corner bracket 731.010	4	
Kutna spojnica Corner bracket 730.001	8	
Kutna spojnica Corner bracket 730.002	4	
Brtve Gaskets			
Centralna brtva Central gasket 334.008	2LkrLsa+2HkrHsa	
Brtva Gasket 354.011	2L+2H	
Brtva Gasket 328.006	2LkrLsa+2HkrHsa	
Brtva prema staklu vanjska 321.003	2Lkr+2Hkr	
Exterior glass gasket 321.003	2Lsar+2Hsa	
Brtva prema staklu unutarnja 318.002	2Lkr+2Hkr	
Interior glass gasket 318.002	2Lsa+2Hsa	
Brtva (spoj fasade i rama) 318.002	2L+2H	
Gasket (between facade and frame) 318.002	2L+2H	
Izolacijski umetak Isolation 340.450	2(LkrLsa-93)+2(HkrHsa-93)	
Okovi i vijci Hardware and screws			
Zaokretno otklopni mehanizam	1 komplet 1 set	
Vijak Screw 433.050	(2L+2H)/300	
Staklo 34 mm Glass 34 mm	(LkrLsash-107)x(HkrHsash-107)	1



Rezna lista - Ram FT-0261 HF
- Krilo FT-0203 HF

Cutting list - Frame FT-0261F HF
- Sash FT-0203F HF

naziv/kod name/code	mjera dimension	kom. pcs.	pilanje sawing angle
Profili Profiles			
Ram Frame FT-0261 HF	ML-18	2	45-45
Ram Frame FT-0261 HF	MH-18	2	45-45
Krilo Sash FT-0203 HF	ML-100	2	45-45
Krilo Sash FT-0203 HF	MH-100	2	45-45
Staklo Lajsna Glazing bead Z40-667	LkrLsa-93	2	90-90
Staklo Lajsna Glazing bead Z40-667	HkrHsa-137	2	90-90
Kutne spojnice Corner brackets			
Kutna spojnica Corner bracket 710.469	4	
Kutna spojnica Corner bracket 710.452	4	
Kutna spojnica Corner bracket 710.458	4	
Kutna spojnica Corner bracket 710.443	4	
Kutna spojnica Corner bracket 730.005	4	
Kutna spojnica Corner bracket 730.001	4	
Kutna spojnica Corner bracket 730.002	4	
Brtve Gaskets			
Centralna brtva Central gasket 331.004	2LkrLsa+2HkrHsa	
Brtva Gasket 354.011	2L+2H	
Brtva Gasket 328.001	2LkrLsa+2HkrHsa	
Brtva prema staklu vanjska 321.004	2LkrLsa+2HkrHsa	
Exterior glass gasket 321.004		
Brtva prema staklu unutarnja 311.003	2LkrLsa+2HkrHsa	
Interior glass gasket 311.003	2L+2H	
Brtva (spoj fasade i rama) 318.002	2(Lkr-93)+2(Hkr-109)	
Gasket (between frame and facade) 318.002	2(Lsa-93)+2(Hsa-109)	
Izolacijski umetak Isolation 348.002		
Okovi i vijci Hardware and screws			
Zakretno otklopni mehanizam	1 komplet	
Turn tilt mechanism	1 set	
Vijak Screw 433.135	(2L+2H)/300	
Staklo 40 mm Glass 40 mm	(LkrLsa-107)x(HkrHsa-107)	



Rezna lista - Ram FT-1201 Cutting list - Frame FT-1201
 - Krilo FT-1211 - Sash FT-1211

naziv/kod name/code	mjera dimension	kom. pcs.	pilanje sawing angle
Profili Profiles			
Ram Frame FT-1201	ML-20	2	45-45
Ram Frame FT-1201	MH-20	2	45-45
Krilo Sash FT-1211	ML-112	2	45-45
Krilo Sash FT-1211	MH-112	2	45-45
Lajsna Glazing bead Z40-669	LkrLsa-121	2	90-90
Lajsna Glazing bead Z40-669	HkrHsa-165	2	90-90

Kutne spojnice Corner brackets

Kutna spojnica Corner bracket 710.415	4
Kutna spojnica Corner bracket 710.507	4
Kutna spojnica Corner bracket 730.001	4
Kutna spojnica Corner bracket 730.002	4
Kutna spojnica Corner bracket 710.411	4
Kutna spojnica Corner bracket 710.506	4
Kutna spojnica Corner bracket 731.010	4

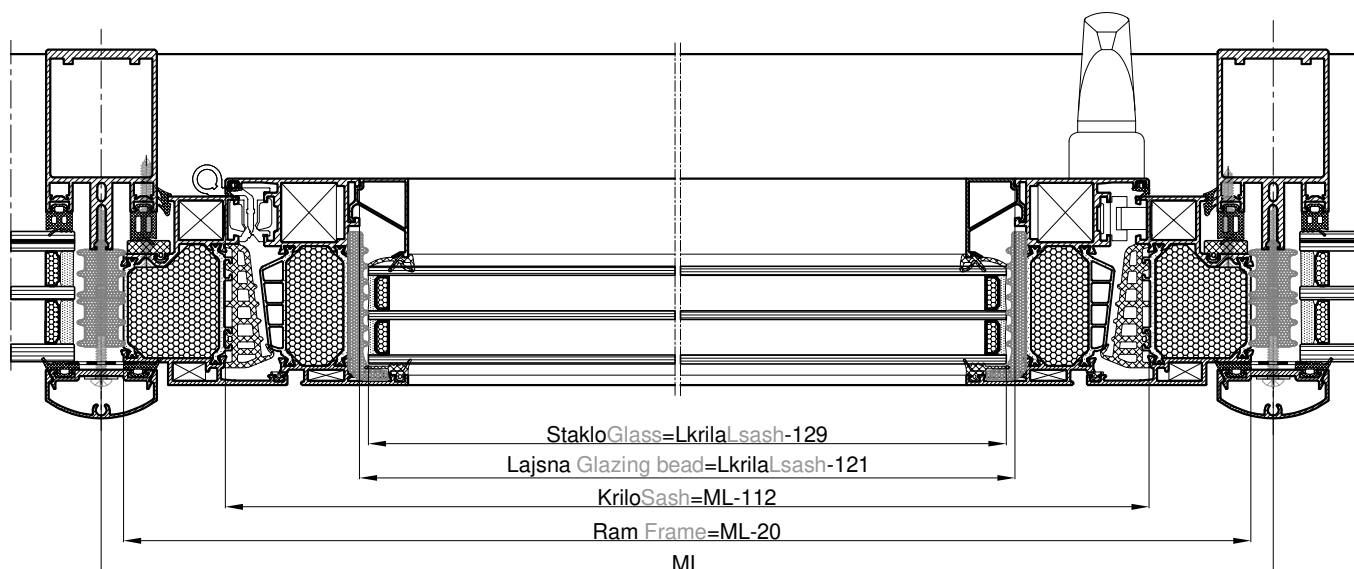
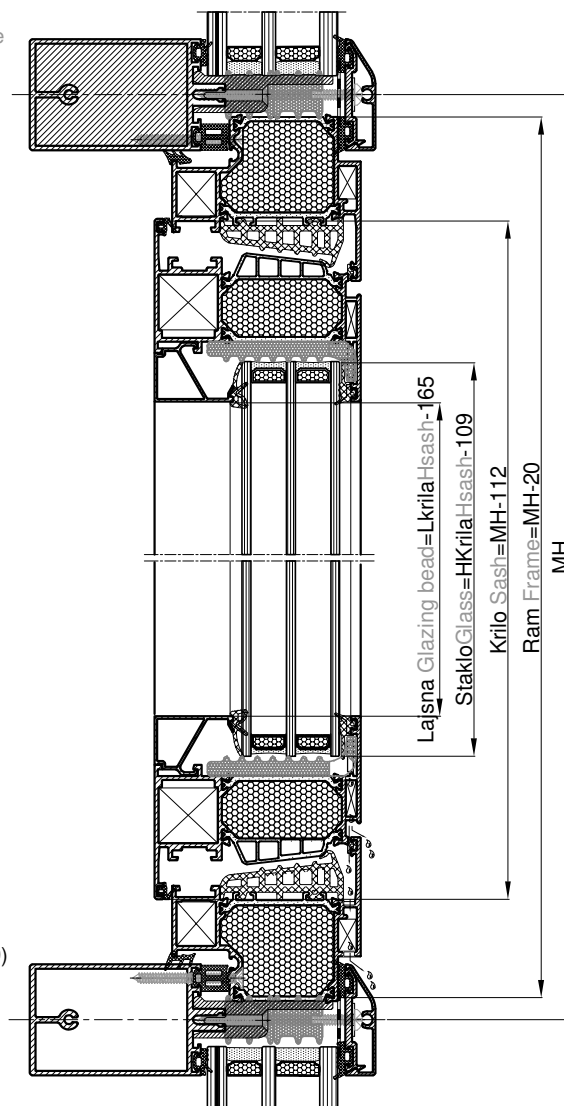
Brtve Gaskets

Brtva Gasket 327.001	2LstaklaLglass+2HstaklaHglass
Brtva Gasket 317.001	2LstaklaLglass+2HstaklaHglass
Brtva Gasket 317.002	2LkrLsa+2HkrHsa
Brtva Gasket 327.002	2LkrLsa+2HkrHsa
Brtva Gasket 318.002	2LkrLsa+2HkrHsa
Brtva Gasket 337.001	2LkrLsa+2HkrHsa
Izolacijski umetak Isolation 340.142	2(LkrLsa-111)+2(HkrHsa-129)

Okovi i vijci Hardware and screws

Zakretno otklopni mehanizam	1 komplet
Turn-tilt mechanism	1 set
Vijak Screw 433.136	(2L+2H)/300
Držač stakla Glass suport 521.234	2

Staklo Glass	(LkrilaLsash-129)x(HkrilaHsash-129)
--------------	-------	-------------------------------------



Rezna lista - Ram FT-0187 F Cutting list - FRAME FT-0187 F
 - Krilo FT-0167 F - SASH FT-0167 F

naziv/kod name/code	mjera dimension	kom. pcs.	planje sawing angle
Profili Profiles			
Ram Frame FT-0187F	ML-18	2	45-45
Ram Frame FT-0187F	MH-18	2	45-45
Krilo Sash FT-0167F	ML-100	2	45-45
Krilo Sash FT-0167F	MH-100	2	45-45
Staklo lajsna Glazing bead F-0807	Lkr-83	2	90-90
Staklo lajsna Glazing bead F-0807	Hkr-111	2	90-90

Kutne spojnice Corner brackets

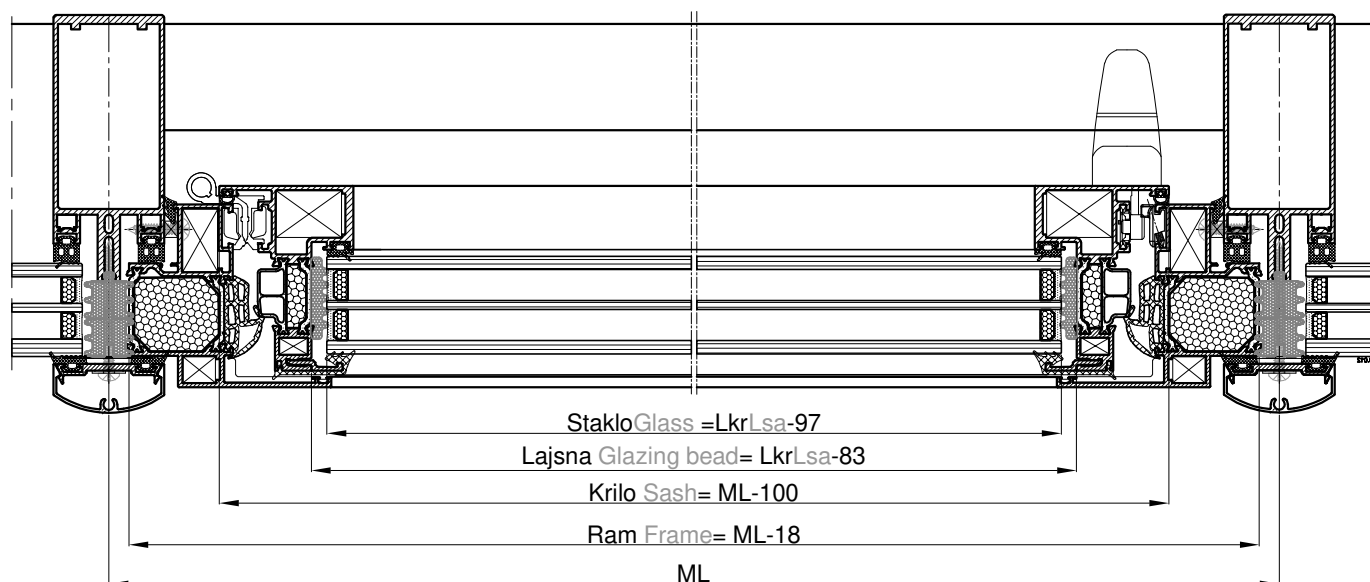
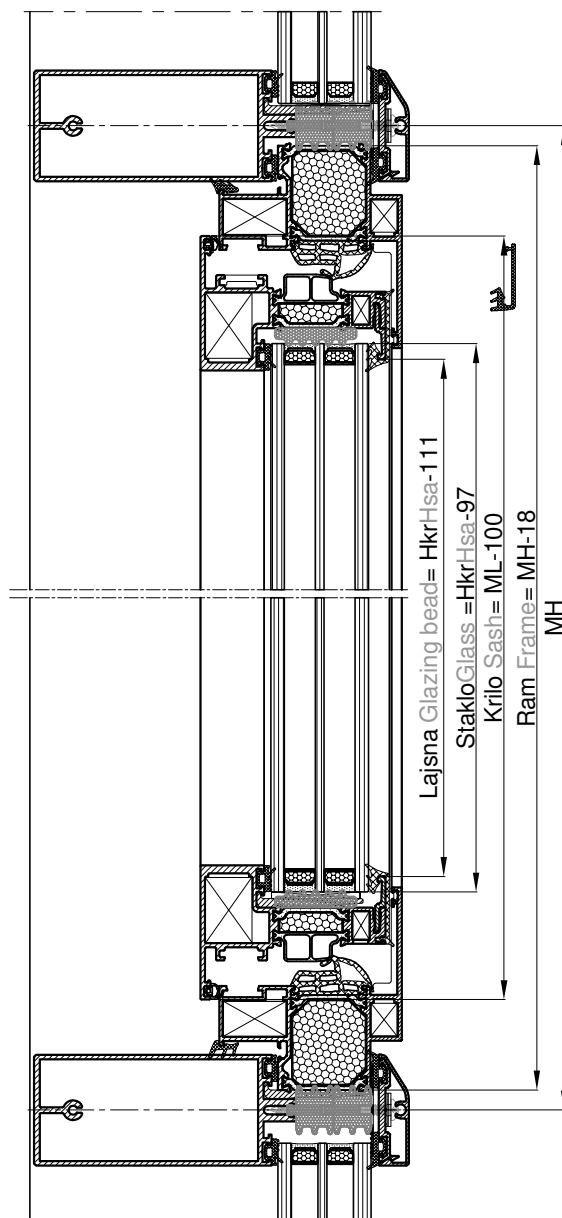
Kutna spojnica Corner bracket 710.469	4	
Kutna spojnica Corner bracket 710.448	4	
Kutna spojnica Corner bracket 730.011	4	
Kutna spojnica Corner bracket 730.001	4	
Kutna spojnica Corner bracket 730.002	4	
Kutna spojnica Corner bracket 710.442	4	
Kutna spojnica Corner bracket 710.111	4	

Brtve Gaskets

Brtva Gasket 321.005	2LkrLsa+2HkrHsa	
Brtva Gasket 328.001	2LkrLsa+2HkrHsa	
Brtva Gasket 331.004	2LkrLsa+2HkrHsa	
Brtva Gasket 358.011	2LkrLsa+2HkrHsa	
Brtva Gasket 318.002	2L+2H	
Izolacijski umetak Isolation 340.002	2L+2H	

Okovi i vijci Hardware and screws

Dry kip mehanizam Turn tilt mechanism	1 komplet 1 set	
Vijak Screw 433.044	(2L+2H)/300	
Vijak Screw 433.002	(2L+2H)/300	1
Staklo Glass 30 mm	(LkrLsa-97)x(HkrHsa-97)	



Rezna lista - Ram FT-0260F Cutting list - Frame FT-0260F
- Krilo FT-0254F - Sash FT-0254F

naziv/kod name/code	mjera dimension	kom. pcs.	pilanje sawing angle
Profili Profiles			
Ram Frame FT-0260F	ML-18	1	45-45
Ram Frame FT-0260F	MH-9	2	45-90
Krilo Sash FT-0260F	ML-136	2	45-45
Krilo Sash FT-0260F	MH-78.5	2	45-45
Prag Threshold FT-0251	Lkr-44	1	90-90
Lajsna Glazing bead Z40-667	LkrLsa-146	2	90-90
Lajsna Glazing bead Z40-667	HkrHsa-190	2	90-90

Kutne spojnice Corner brackets

Kutna spojnica Corner bracket 710.056	4
Kutna spojnica Corner bracket 725.401	4
Kutna spojnica Corner bracket 710.060	2
Kutna spojnica Corner bracket 710.051	2
Kutna spojnica Corner bracket 730.001	10

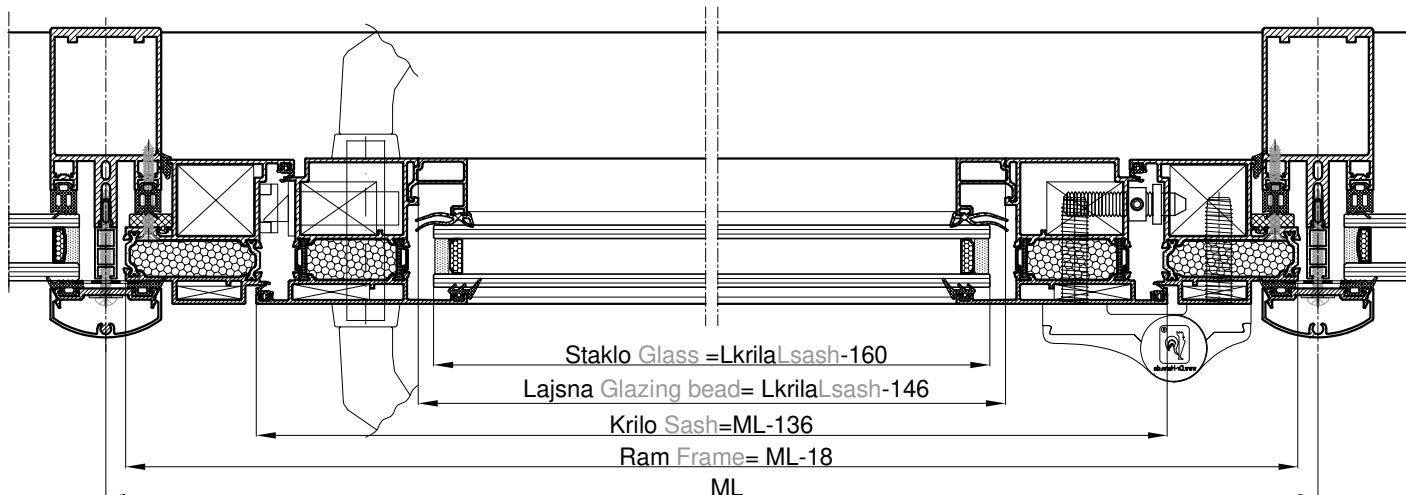
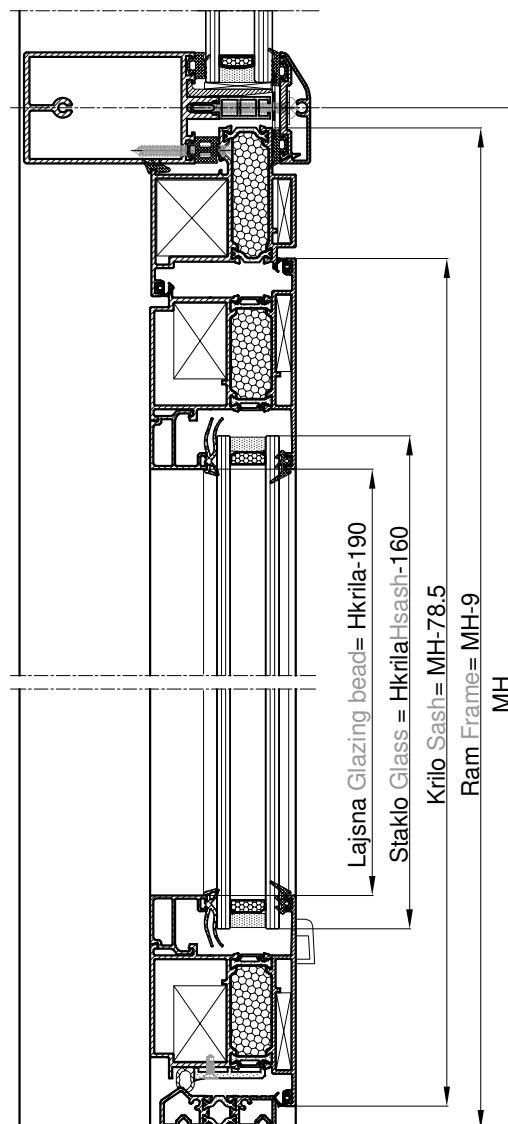
Brtve Gaskets

Brtva Gasket 354.011	2H
Brtva Gasket 328.006	3LkrLsa+4HkrHsa
Brtva prema staklu vanjska 321.003	2Lkr+2Hkr
Exterior glass gasket 321.003	2Lsar+2Hsa
Brtva prema staklu unutarnja 318.002	Lkr+2Hkr
Interior glass gasket 318.002	Lsa+2Hsa
Brtva (spoj fasade i rama) 318.002	L+2H
Gasket (between facade and frame) 318.002	L+2H
Set čepova za prag 401.008	1 par
Set of threshold plugs 401.008	1 pair
Brtva prema pragu 341.001	Lkr
Gasket towards threshold 341.001	Lsa
Maska za drenažu Drainage cap 373.003	2 kom 2pcs

Okovi i vijci Hardware and screws

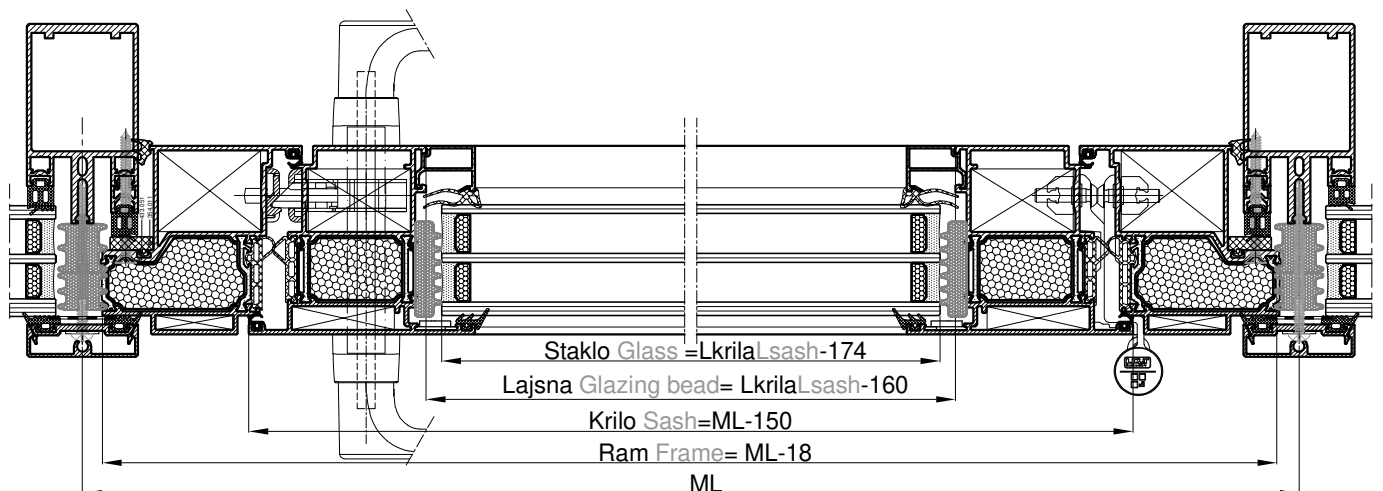
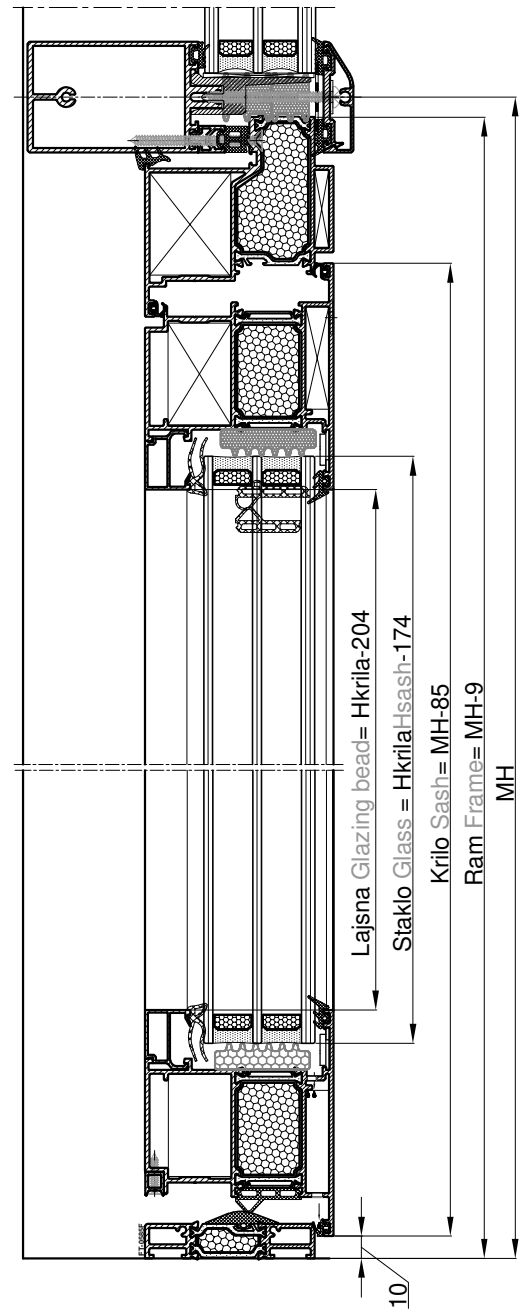
Vijak Screw 433.049	(L+2H)/300
Vijak Screw 433.135	(L+2H)/300
Brava Lock 124.001	1
Šild za vrata Door shield 121.002	1
Ručka za vrata Door handle 104.001.xx	par pair
Protuprovalni umetak Anti-burglary insert 141.002	2
Uložak za bravu - ISEO cylinder for lock 126.003	1
Usadna baglama 65mm Hinge 65mm 112.001	2

Staklo 28 mm Glass 28 mm (LkrLsash-160)x(HkrHsash-160) 1



Rezna lista - Ram FT-0553F Cutting list - Frame FT-0553F
 - Krilo FT-0562F - Sash FT-0562F

naziv/kod name/code	mjera dimension	kom. pcs.	pilanje sawing angle
Profili Profiles			
Ram Frame FT-0553F	ML-18	1	45-45
Ram Frame FT-0553F	MH-9	2	45-90
Krilo Sash FT-0562F	ML-150	2	45-45
Krilo Sash FT-0562F	MH-85	2	45-45
Prag Threshold FT-0585F	Lkr-58	1	90-90
Umetak Insert F-1188	Lkr-58	1	90-90
Lajsna Glazing bead Z40-666	LkrLsa-160	2	90-90
Lajsna Glazing bead Z40-666	HkrHsa-204	2	90-90
Kutne spojnice Corner brackets			
Kutna spojnica Corner bracket 710.134	4	
Kutna spojnica Corner bracket 710.062	4	
Kutna spojnica Corner bracket 710.140	2	
Kutna spojnica Corner bracket 710.130	2	
Kutna spojnica Corner bracket 730.001	2	
Kutna spojnica Corner bracket 731.010	4	
Brtve Gaskets			
Centralna brtva Central gasket-331.014	1L+2H		
Centralna brtva Central gasket-331.016	2Lkr+2Hkr		90-90
Brtva praga Threshold gasket 331.012	L-154		
Brtva prema staklu Glazing gasket 321.003	2Lkr+2Hkr		
Brtva prema staklu Glazing gasket 311.004	2Lkr+2Hkr		
Brtva na spoju rama i krila Rebate gasket 328.006	(1Lrama+2Hrama)+(2Lkr+2Hkr)		
Izolacijski umetak Insulation 340.013	2(Lkr-150)+2(Hkr-174)		
Umetak na pragu Threshold insert 373.020	1 par		
Okovi i vijci Hardware and screws			
Brava Lock G-U Secury s MR2 (35) tri ključanja three locks 122.016		1	
Prihvatna pločica Striking plate 24x6x2 122.028		2	
Prihvatni lim Striking plate 24x6 (L+D) 122.029		1	
Trodijelna cilindrična šarka Barrel door hinge 115.009.01 - bijela white		2 ili (3) ovisno o visini i tež.krila 2 or (3) (dep. of height and weight)	
Ručka za vrata Door handle 104.009.01 - bijela white		1	
Cilindar Cylinder (71+31) 124.013		1	
Štitnik cilindra Cylinder rosette 124.032.01 - bijeli white		1 par	
Protuprovalni umetak Security pin 141.002		2	
Vijak Screw 433.093		3	
Staklo 28 mm Glass 28 mm	(LkrLsash-174)x(HkrHsash-174)	1	



Rezna lista - Ram FT-0175F Cutting list - Frame FT-0175F
 - Krilo FT-0157F - Sash FT-0157F

naziv/kod name/code	mjera dimension	kom. pcs.	pilanje sawing angle
Profili Profiles			
Ram Frame FT-0175F	ML-20	2	45-45
Ram Frame FT-0175F	MH-20	2	45-45
Krilo Sash FT-0157F	ML-86	2	45-45
Krilo Sash FT-0157F	MH-86	2	45-45

Kutne spojnice Corner brackets			
Kutna spojnica Corner bracket	725.118	8	
Kutna spojnica Corner bracket	710.437	4	
Kutna spojnica Corner bracket	725.121	4	
Kutna spojnica Corner bracket	730.002	4	

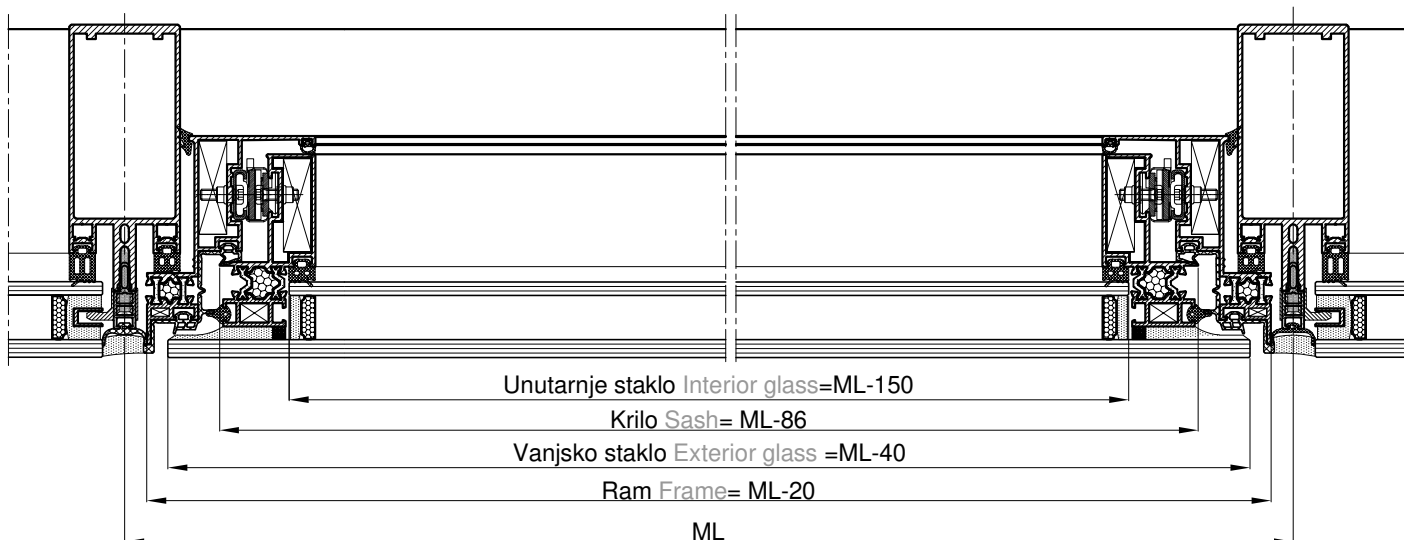
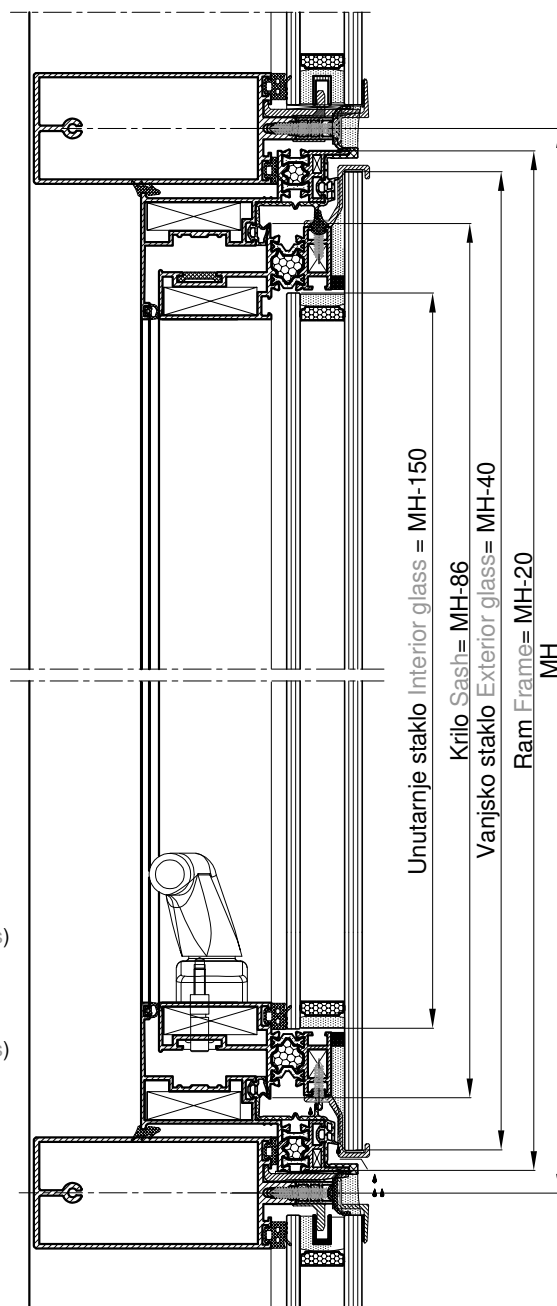
Brtve Gaskets			
Brtva Gasket 351.018	2L+2H		
Brtva Gasket 358.021	2LkrLsa+2HkrHsa		
Brtva Gasket 328.001	2LkrLsa+2HkrHsa		
Brtva Gasket 358.014	2LkrLsa+2HkrHsa		
Brtva Gasket 318.002	2L+2H		

Okovi i vijci Hardware and screws			
Makaze fasadnog ventusa (vrsta ovisno o visini prozora) Friction stays (type depending on window height)		1 par 1 pair	

Okov fasadnog ventusa sa mogućnošću zaključavanja u više točaka: Hung vent hardware with option of multiple locking points:			
Zaključavanje u donjem pojasu: Lower position locking:	101.000 133.003 133.005	1 1 (jedno zaklj. one lock) set 1 (tri zaklj. three locks)	
Zaključavanje u donjem pojasu i bočno: Lower and side position locking:	101.000 133.003 133.004 133.005	1 1 set 1 set 1 (tri zaklj. three locks)	

Vijak Screw 433.043	(2L+2H)/300		
Sigur. držač Exterior glass support 521.061.		4	
Držač stakla Glass support 521.014		2	

Staklo vanjsko Exterior glass	(ML-40)x(MH-40)	1	
Staklo unutarnje Interior glass	(ML-150)x(MH-150)	1	



Rezna lista - Ram FT-0173F Cutting list - Frame FT-0173F
 - Krilo FT-0162F - Sash FT-0162F

naziv/kod name/code	mjera dimension	kom. pcs.	pilanje sawing angle
Profili Profiles			
Ram Frame FT-0173F	ML-20	2	45-45
Ram Frame FT-0173F	MH-20	2	45-45
Krilo Sash FT-0162F	ML-89.5	2	45-45
Krilo Sash FT-0162F	MH-89.5	2	45-45

Kutne spojnice Corner brackets			
Kutna spojnica Corner bracket 725.118	8	
Kutna spojnica Corner bracket 725.401	4	
Kutna spojnica Corner bracket 730.001	4	

Brtve Gaskets			
Brtva Gasket 351.001	2LkrLsa+2HkrHsa	
Brtva Gasket 351.002	2LkrLsa+2HkrHsa	
Brtva Gasket 328.001	2LkrLsa+2HkrHsa	
Brtva Gasket 351.003	2H+2L	
Brtva Gasket 358.014	2LkrLsa+2HkrHsa	
Brtva Gasket 318.002	2L+2H	

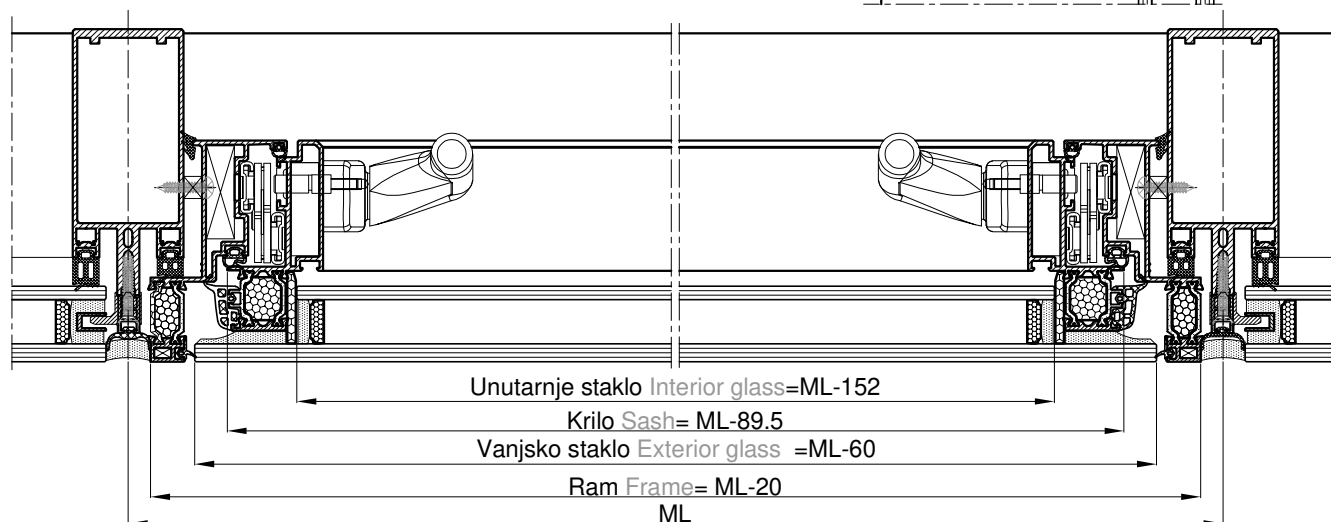
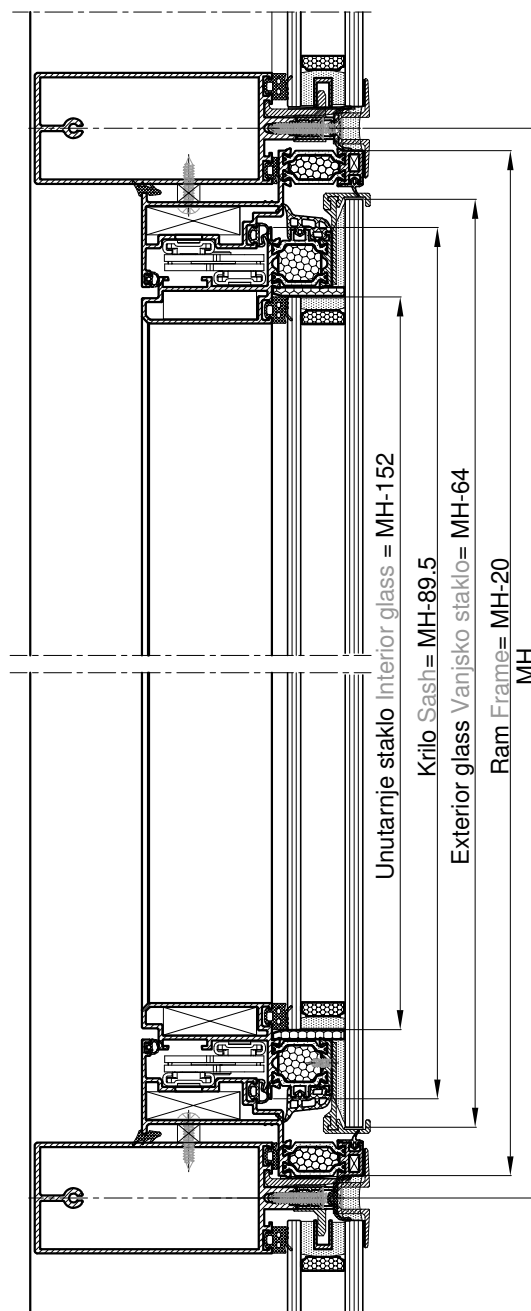
Okovi i vijci Hardware and screws

Izbor mehanizma za ručno paralelno otvaranje ovisno o dimenzijama otvora - prema shemama okova str.501.06.007 do 501.06.013

Selection of hardware for manual parallel opening depends upon window dimensions - according to the schematic on pages 501.06.007 do 501.06.013

Vijak Screw 433.044	(2L+2H)/300	
Sigur. držač Exterior glass support 521.041.		4
Držač stakla Glass support 521.014		2

Staklo vanjsko Exterior glass	(ML-60)x(MH-64)	1
Staklo unutarnje Interior glass	(ML-152)x(MH-152)	1



Rezna lista - Ram FT-0173F Cutting list - Frame FT-0173F
 - Krilo FT-0164F - Sash FT-0164F

naziv/kod name/code	mjera dimension	kom. pcs.	pilanje sawing angle
Profili Profiles			
Ram Frame FT-0173F	ML-20	2	45-45
Ram Frame FT-0173F	MH-20	2	45-45
Krilo Sash FT-0164F	ML-89.5	2	45-45
Krilo Sash FT-0164F	MH-89.5	2	45-45
Držač motora Motor support profile F-1129..	ML-51	1	90-90
Pokl. lajsna Motor cover cap F-1128	ML-51	1	90-90

Kutne spojnice Corner brackets

Kutna spojnica Corner bracket 725.118	4
Kutna spojnica Corner bracket 725.401	4
Kutna spojnica Corner bracket 725.034	4
Kutna spojnica Corner bracket 730.001	4

Brtve Gaskets

Brtva Gasket 351.001	2LkrLsa+2HkrHsa
Brtva Gasket 351.002	2LkrLsa+2HkrHsa
Brtva Gasket 328.001	2LkrLsa+2HkrHsa
Brtva Gasket 351.003	2H+2L
Brtva Gasket 358.014	2LkrLsa+2HkrHsa
Brtva Gasket 311.009	2L
Brtva Gasket 318.002	2H

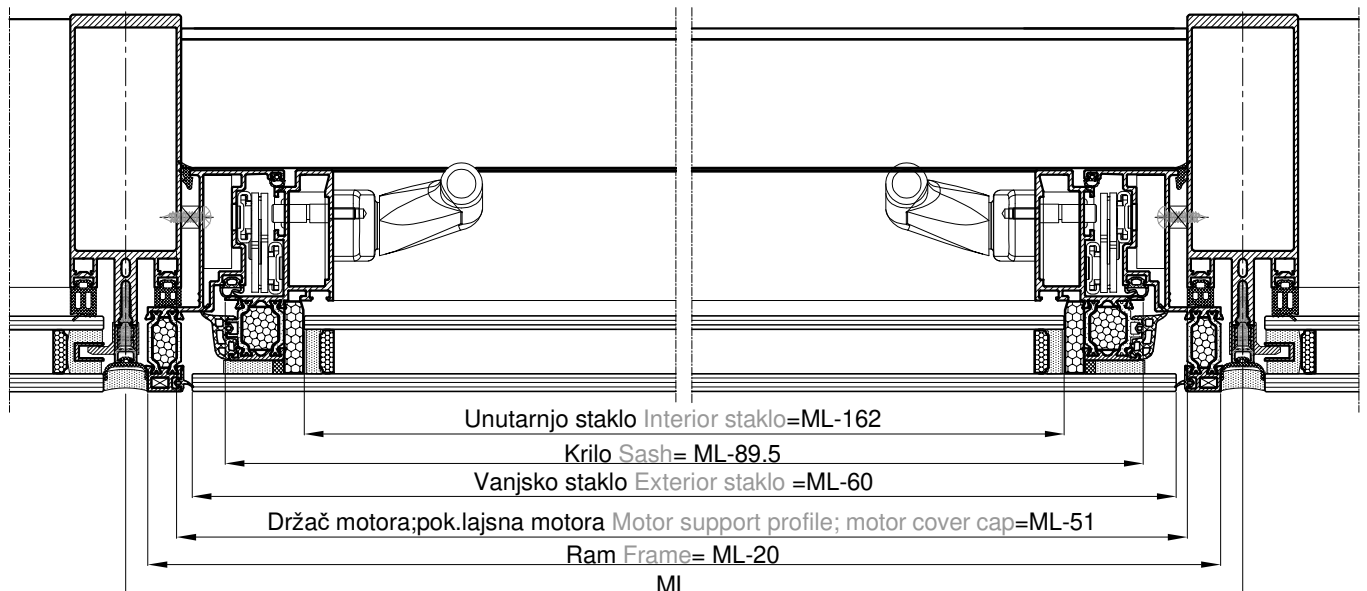
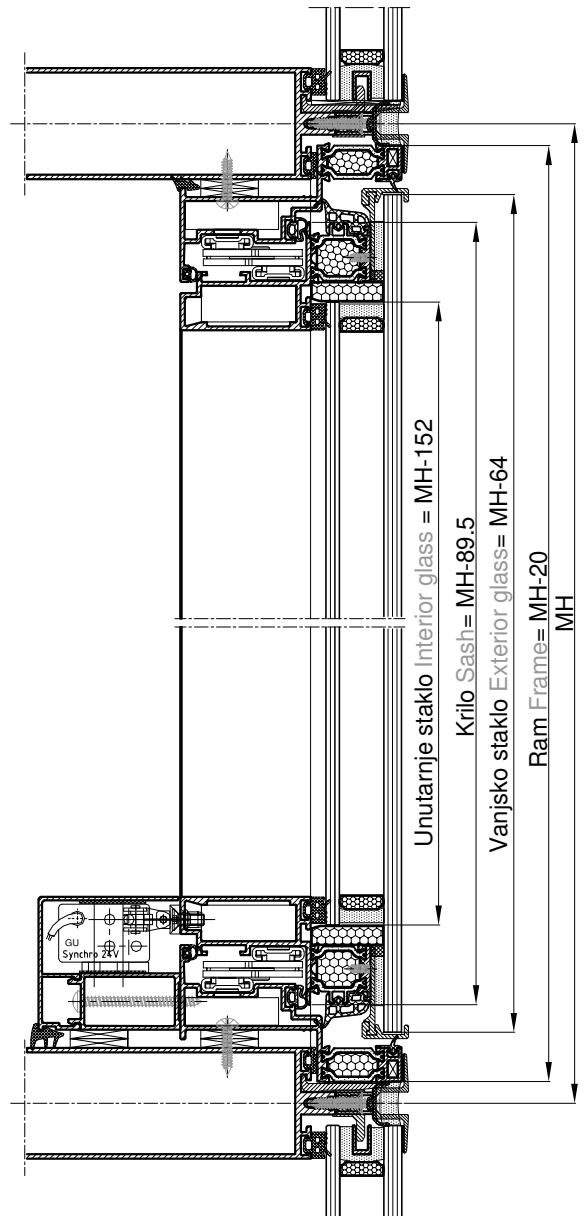
Okovi i vijci Hardware and screws

Izbor mehanizma za motorno paralelno otvaranje ovisno o dimenzijama otvora - prema shemama okova str.501.06.007 do 501.06.015

Selection of hardware for motorized parallel opening depends upon window dimensions - according to the schematic on pages 501.06.007 do 501.06.015

Vijak Screw 433.044	(2L+2H)/300
Vijak Screw 433.050	(ML-51)/300
Sigur. držač Exterior glass support 521.041.	4
Držač stakla Glass support 521.014	2

Staklo vanjsko Exterior glass	(ML-60)x(MH-64)	1
Staklo unutarnje Interior glass	(ML-162)x(MH-162)	1



Rezna lista - Ram FT-0174F Cutting list - Frame FT-0174F
 - Krilo FT-0170F - Sash FT-0170F

naziv/kod name/code	mjera dimension	kom. pcs.	pilanje sawing angle
Profili Profiles			
Ram Frame FT-0174F	ML-20	2	45-45
Ram Frame FT-0174F	MH-20	2	45-45
Krilo Sash FT-0170F	ML-89.5	2	45-45
Krilo Sash FT-0170F	MH-89.5	2	45-45

Kutne spojnice Corner brackets

Kutna spojnica Corner bracket 725.118	4	
Kutna spojnica Corner bracket 725.212	4	
Kutna spojnica Corner bracket 725.034	4	
Kutna spojnica Corner bracket 710.153	4	
Kutna spojnica Corner bracket 730.001	4	

Brtve Gaskets

Brtva Gasket 351.001	2LkrLsa+2HkrHsa	
Brtva Gasket 351.002	2LkrLsa+2HkrHsa	
Brtva Gasket 328.001	2LkrLsa+2HkrHsa	
Brtva Gasket 351.003	2H+2L	
Brtva Gasket 358.011	2LkrLsa+2HkrHsa	
Brtva Gasket 318.002	2L+2H	
Izolacijski umetak Isolation 340.013	2(LkrLsa-53)+2(HkrHsa-76)	

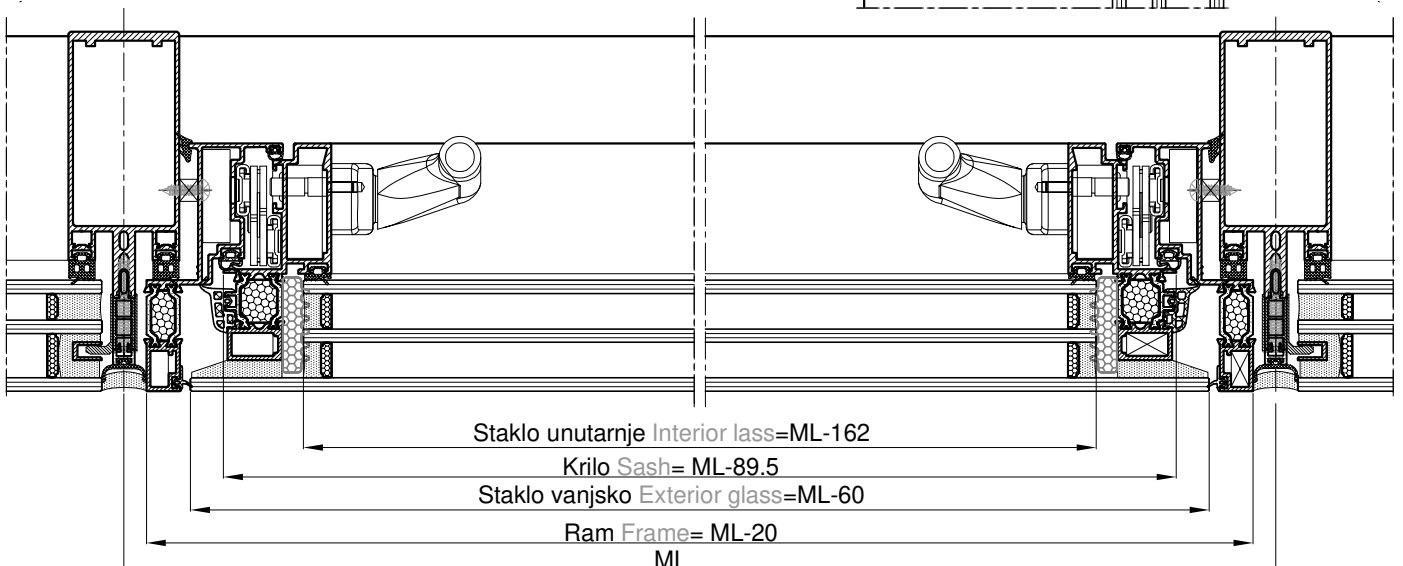
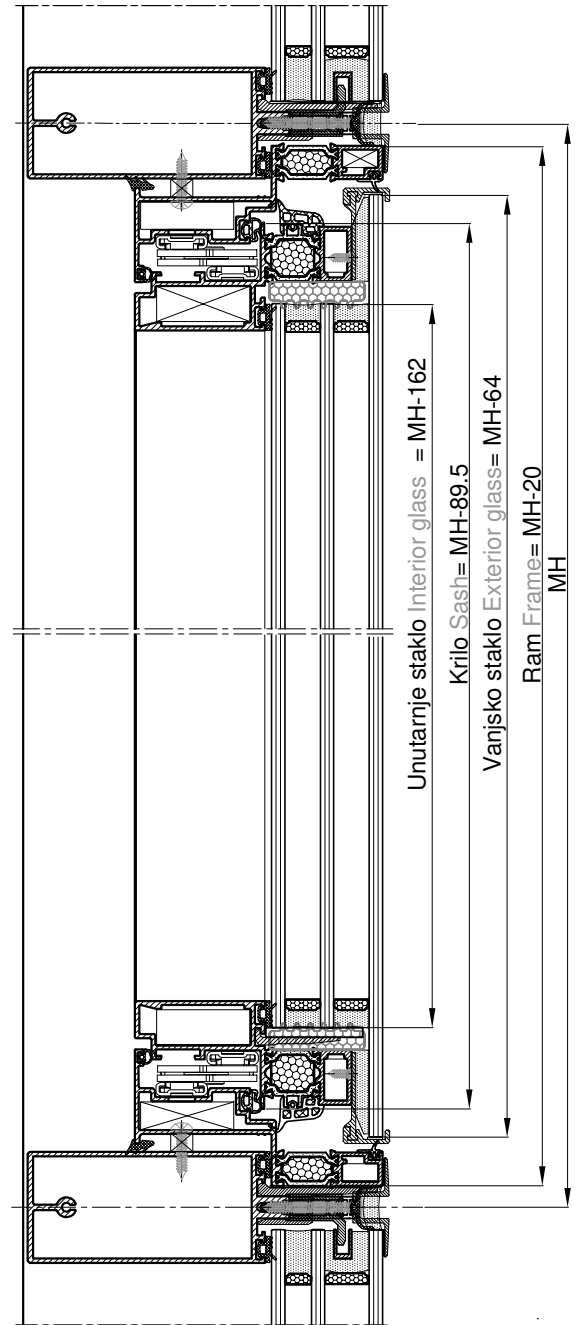
Okovi i vijci Hardware and screws

Izbor mehanizma za ručno paralelno otvaranje ovisno o dimenzijama otvora - prema shemama okova str.501.06.007 do 501.06.013

Selection of hardware for manual parallel opening depends upon window dimensions - according to the schematic on pages 501.06.007 do 501.06.013

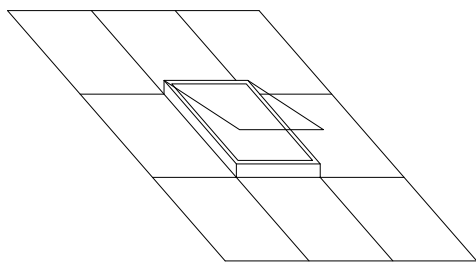
Vijak Screw 433.043	(2L+2H)/300	
Držač stakla Glass support 521.064		2
Sig. držač Exterior glass support 521.041..		4

Staklo vanjsko Exterior glass	(ML-60)x(MH-64)	1
Staklo unutarnje Interior glass	(ML-162)x(MH-162)	1



Rezna lista - RAM FT-0125F
- KRILO FT-0124F

Cutting list - FRAME FT-0125F
- SASH FT-0124F



naziv/kod name/code	mjera dimension	kom. pcs.	pilanje sawing angle
Ram Frame FT-0125F	ML-20	2	45-45
Ram Frame FT-0125F	MH-20	2	45-45
Kriilo Sash FT-0124F	ML-91	2	45-45
Kriilo Sash FT-0124F	MH-91	2	45-45
Lajsna Glazing bead F-0796	ML-47.5	2	45-45
Lajsna Glazing bead F-0796	MH-47.5	2	45-45

OKOVI HARDWARE kom pcs. mjera dimension

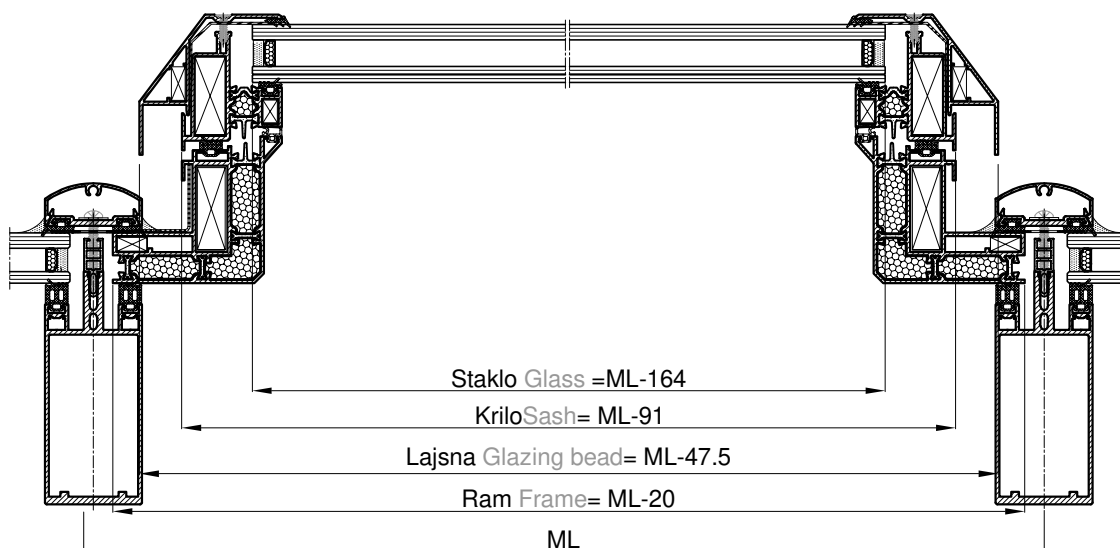
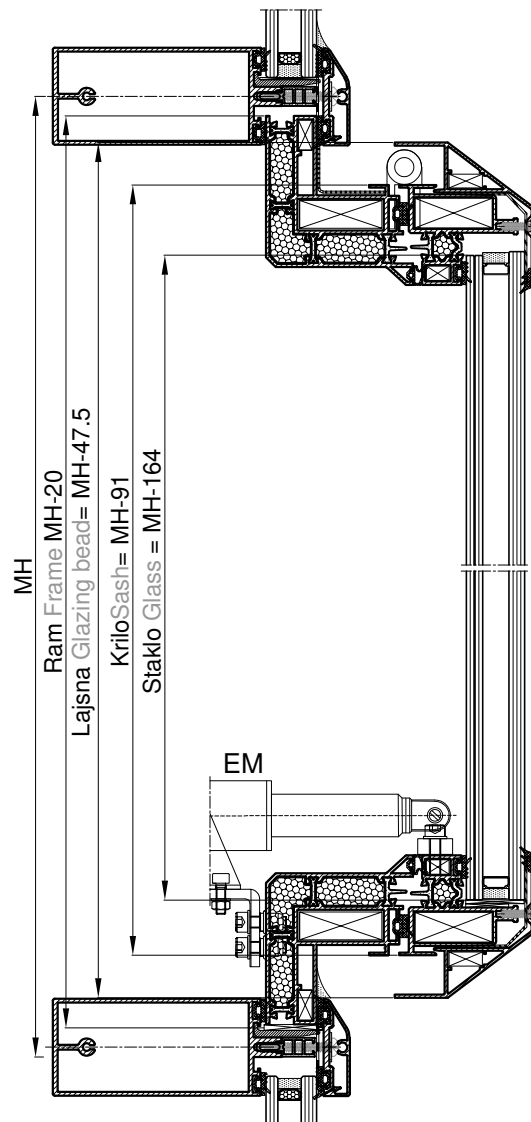
725.031	kutnik	corner bracket	4	
725.030	kutnik	corner bracket	4	
725.029	kutnik	corner bracket	4	
725.210	kutnik	corner bracket	4	
725.211	kutnik	corner bracket	4	
111.006	šarka	hinge	2	
Elektropodizač (motor) prozora				
ELTRAL S80 (G-U)			1	
Spindle drive for window opening				
ELTRAL S80 (G-U)				

BRTVE GASKETS

358.013	srednja brtva	central gasket		2L+2H
322.004	brtva na spoju profila	gasket on profile joint		2L+2H
358.011	brtva prema staklu unutarnja	interior glass gasket		2L+2H
318.001	brtva prema staklu vanjska	exterior glass gasket		2L+2H

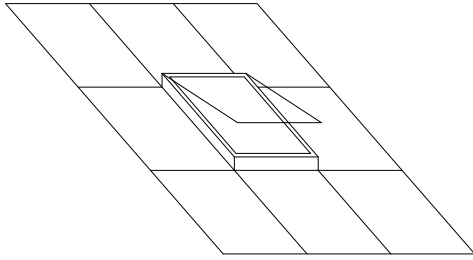
STAKLO GLASS

30 mm		1	(ML-164)x(MH-164)
-------	--	---	-------------------



Rezna lista - RAM FT-0125F
- KRILO FT-0124F

Cutting list - FRAME FT-0125F
- SASH FT-0124F



naziv/kod name/code	mjera dimension	kom. pcs.	pilanje sawing angle
Ram Frame FT-0125F	ML-20	2	45-45
Ram Frame FT-0125F	MH-20	2	45-45
Kriilo Sash FT-0124F	ML-91	2	45-45
Kriilo Sash FT-0124F	MH-91	2	45-45
Lajsna Glazing bead F-1572	ML-47.5	2	45-45
Lajsna Glazing bead F-1572	MH-47.5	2	45-45

OKOVI HARDWARE kom pcs. mjera dimension

725.031	kutnik	corner bracket	4
725.030	kutnik	corner bracket	4
725.029	kutnik	corner bracket	4
725.210	kutnik	corner bracket	4
725.708	kutnik	corner bracket	4
111.006	šarka	hinge	2

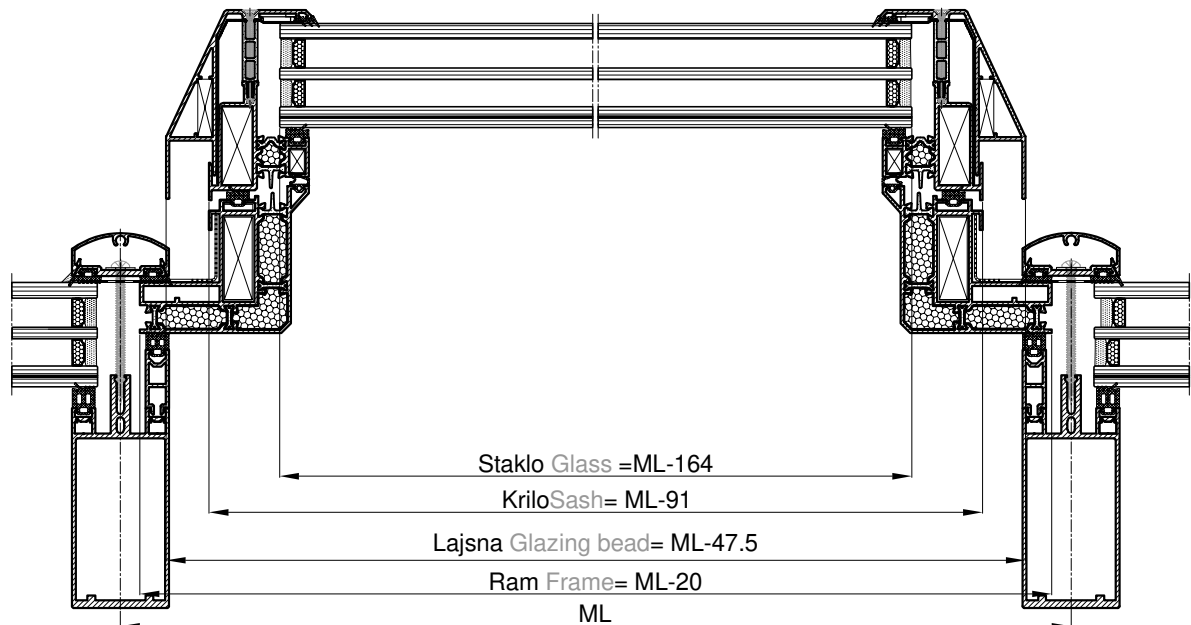
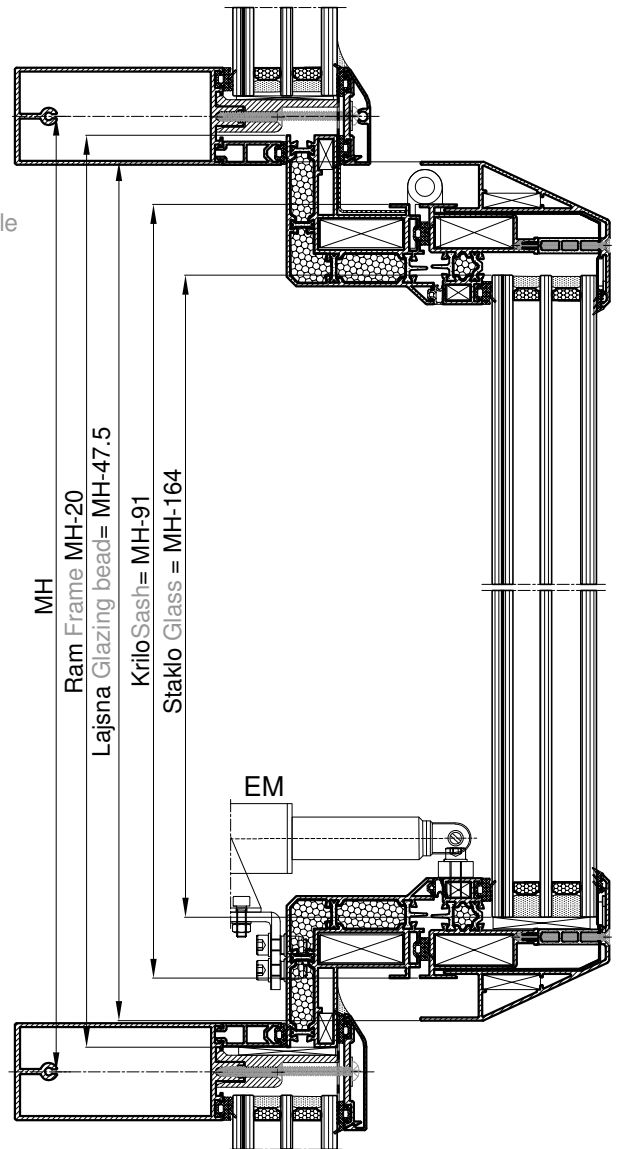
Elektropodizač (motor) prozora
ELTRAL S80 (G-U)
Spindle drive for window opening
ELTRAL S80 (G-U)

BRTVE GASKETS

358.013	srednja brtva	central gasket	2L+2H
322.004	brtva na spoju profila	gasket on profile joint	2L+2H
358.013	brtva prema staklu unutarnja	interior glass gasket	2L+2H
318.001	brtva prema staklu vanjska	exterior glass gasket	2L+2H

STAKLO GLASS

53 mm	1	(ML-164)x(MH-164)
-------	---	-------------------



Francuski balkon bez rukohvata - staklo 88.4
French balcony without handrail - glass 88.4

762 mm < ML < 1762 mm
715 mm < MH < 1215 mm

naziv/kod name/code	mjera dimension	kom. pcs.	pilanje sawing angle
------------------------	--------------------	--------------	-------------------------

Profili Profiles

F-1569	MH-12	2	90-90
F-0826	MH-12	2	90-90

Brtve Gaskets

311.007	MH-12	2	90-90
321.003	MH-12	2	90-90
340.055	MH-12	4	90-90

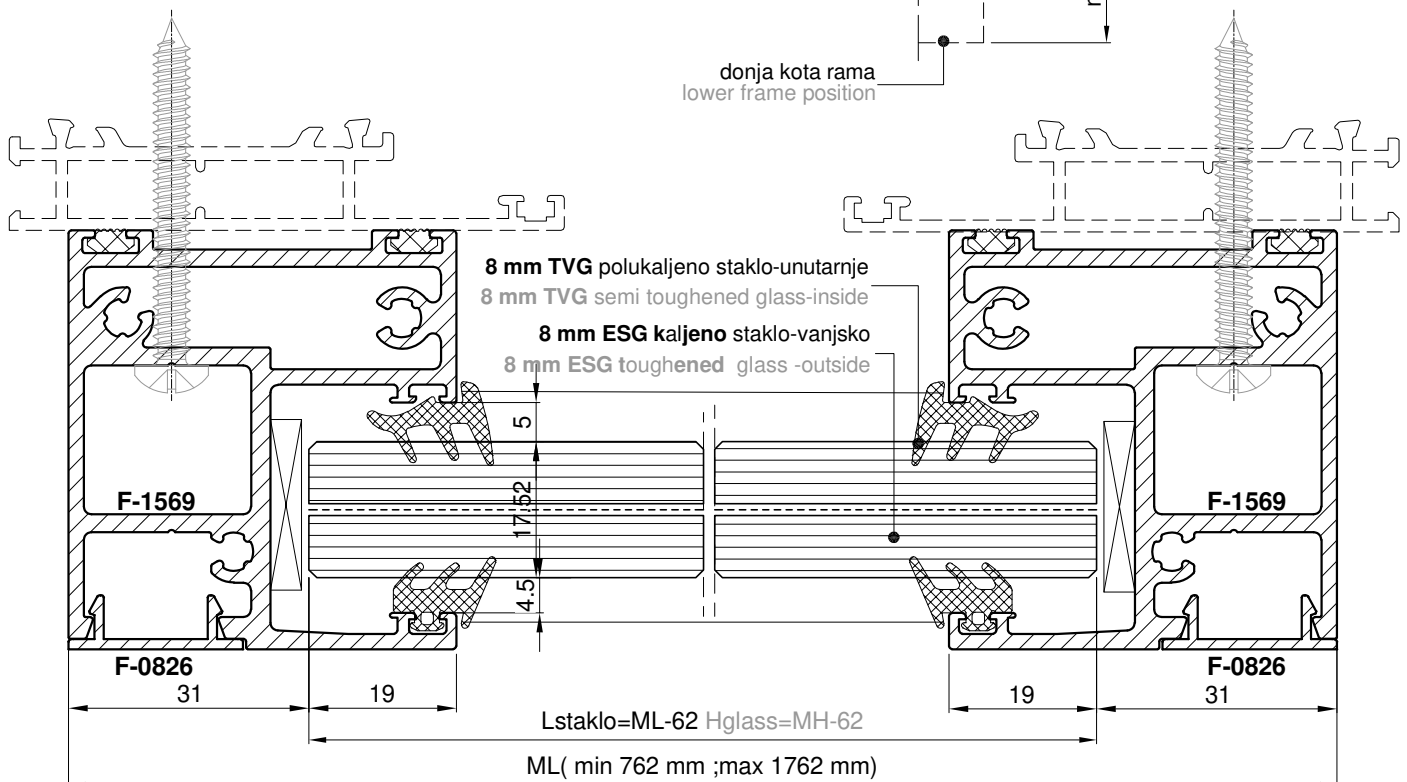
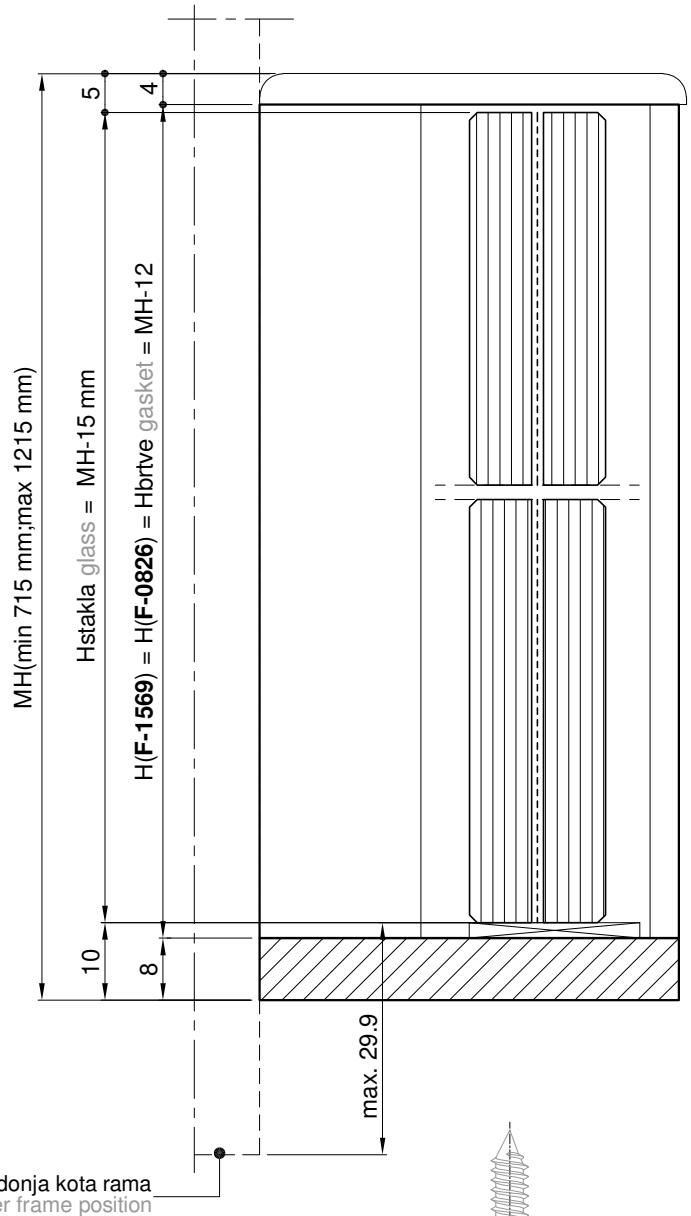
Staklo Glass

88.4 ML-62 x MH-15 1

polukaljeno 8 mm +
4 PVB 1,52 mm +
kaljeno 8 mm
semi toughened 8 mm +
4 PVB 1,52 mm +
toughened 8 mm

Elementi Elements

373.054	2
391.148	1
391.149	1
433.134	6
433.042	2
433.04x*	x**
PVC podmetač 20x4 mm spacer 20x4 mm***	4
PVC podmetač 20x20x2 mm spacer 20x20x2 mm***	2



*- ovisi o profilu na koji se montira
*- depends upon the mounting profile

** - ovisi o visina balkona
** - depends upon balcony height

*** - ne prodaje FEAL
*** - not sold by FEAL

Francuski balkon bez rukohvata - staklo 1010.4
French balcony without handrail - glass 1010.4

762 mm < ML < 2462 mm
715 mm < MH < 1215 mm

naziv/kod name/code	mjera dimension	kom. pcs.	pilanje sawing angle
------------------------	--------------------	--------------	-------------------------

Profili Profiles

F-1569	MH-12	2	90-90
F-0826	MH-12	2	90-90

Brtve Gaskets

318.001	MH-12	2	90-90
328.002	MH-12	2	90-90
340.055	MH-12	4	90-90

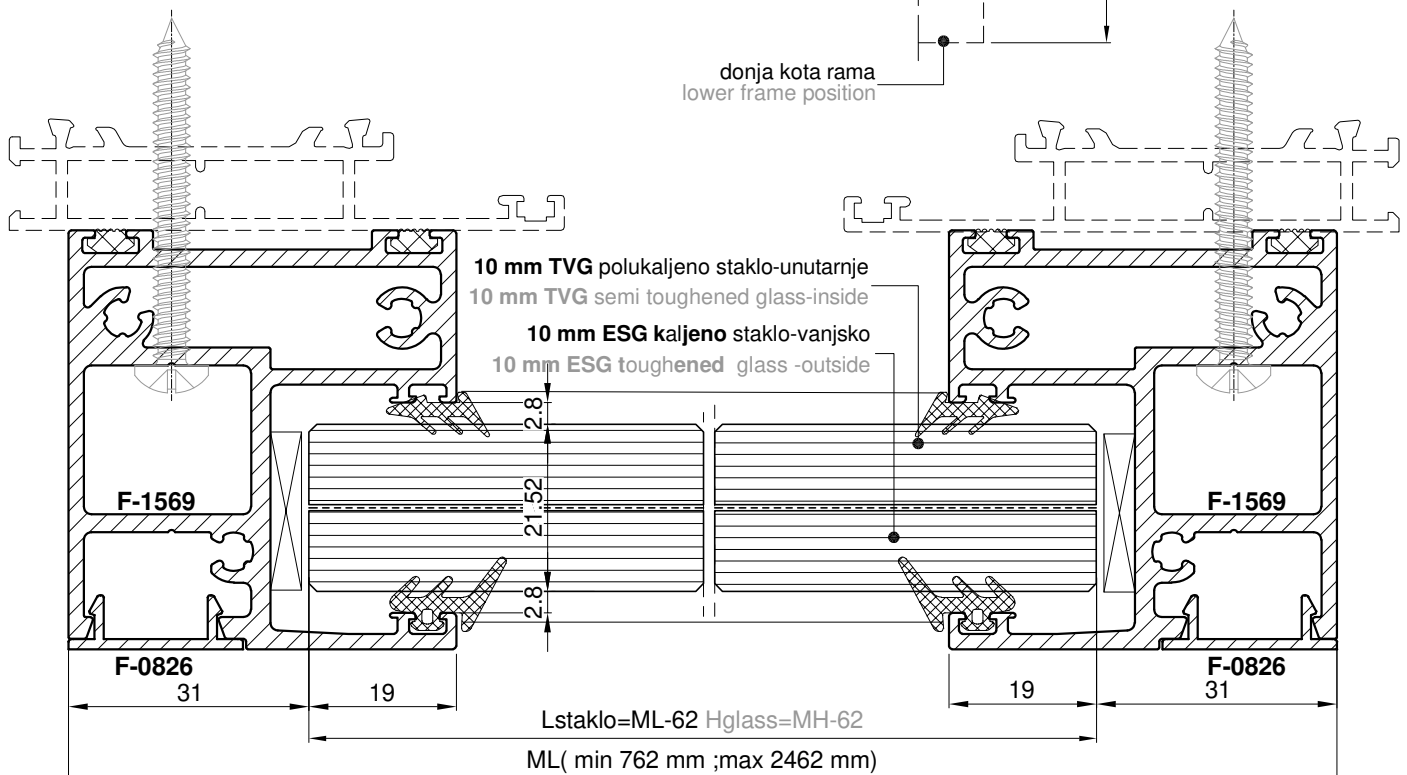
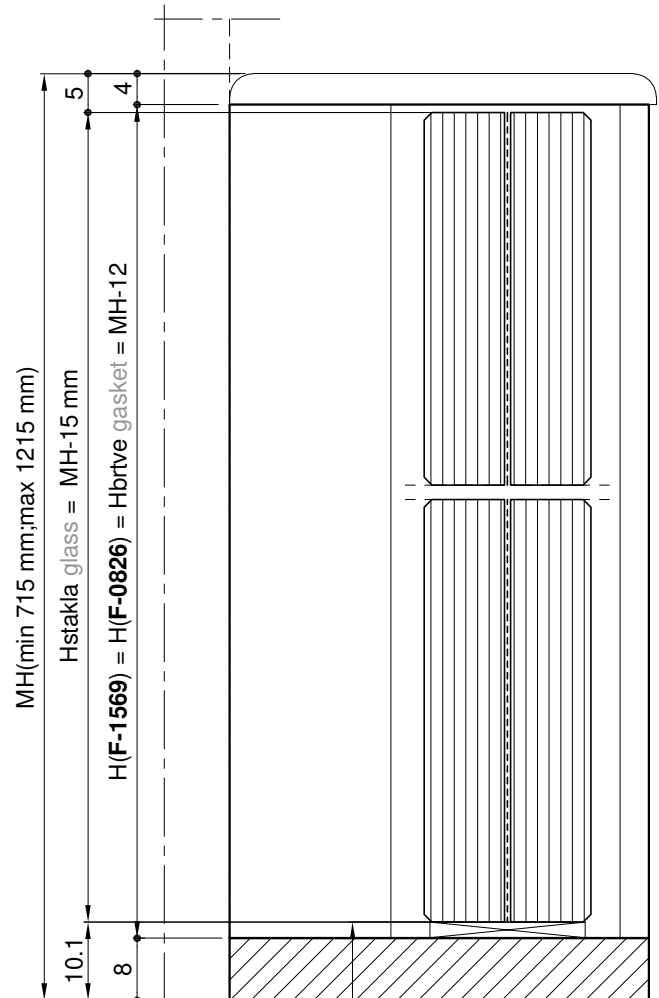
Staklo Glass

1010.4	ML-62 x MH-15	1	
--------	---------------	---	--

polukaljeno 10 mm +
4 PVB 1,52 mm +
kaljeno 10 mm
semi toughened 10 mm +
4 PVB 1,52 mm +
toughened 10 mm

Elementi Elements

373.054	2
391.148	1
391.149	1
433.134	6
433.042	2
433.04x*	x**
PVC podmetač 20x4 mm spacer 20x4 mm***	4
PVC podmetač 20x20x2 mm spacer 20x20x2 mm***	2



*- ovisi o profilu na koji se montira
*- depends upon the mounting profile

** - ovisi o visina balkona
** - depends upon balcony height

*** - ne prodaje FEAL
*** - not sold by FEAL

Francuski balkon s rukohvatom **F-1490** - staklo 88.4
French balcony with handrail **F-1490** - glass 88.4

Jednokomponentno ljepilo
TEROSON MS 939
Onecomponent glue
TEROSON MS 939

762 mm < ML < 1762 mm
723 mm < MH < 1223 mm

naziv/kod name/code	mjera dimension	kom. pcs.	pilanje sawing angle
------------------------	--------------------	--------------	-------------------------

Profili Profiles

F-1569	MH-12	2	90-90
F-0826	MH-12	2	90-90
F-1490	ML-62	1	90-90

Brtve Gaskets

311.007	MH-43	2	90-90
321.003	MH-43	2	90-90
340.055	MH-12	4	90-90

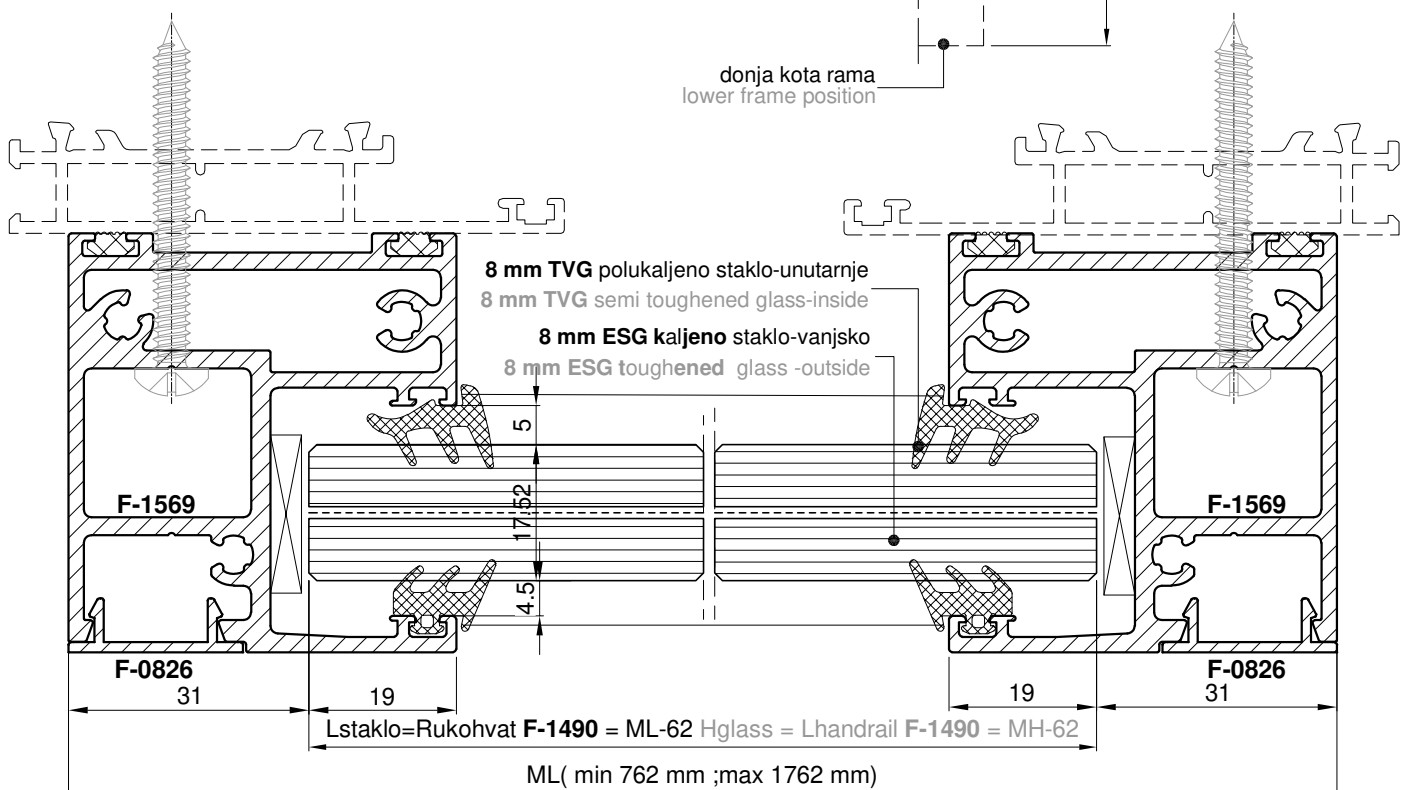
Staklo Glass

88.4 ML-62 x MH-23 1

polukaljeno 8 mm +
4 PVB 1,52 mm +
kaljeno 8 mm
semi toughened 8 mm +
4 PVB 1,52 mm +
toughened 8 mm

Elementi Elements

373.054	2
391.148	1
391.149	1
433.134	6
433.042	2
433.04x*	x**
PVC podmetač 20x4 mm spacer 20x4 mm***	4
PVC podmetač 20x20x2 mm spacer 20x20x2 mm**2	2



*- ovisi o profilu na koji se montira
*- depends upon the mounting profile

**- ovisi o visina balkona
**- depends upon balcony height

***- ne prodaje FEAL
***- not sold by FEAL

Francuski balkon s rukohvatom **F-1437** - staklo 1010.4
French balcony with a handrail **F-1497** glass 1010.4

Jednokomponentno ljeplivo
TEROSON MS 939
Onecomponent glue
TEROSON MS 939

762 mm < ML < 2462 mm
721 mm < MH < 1221 mm

naziv/kod name/code	mjera dimension	kom. pcs.	pilanje sawing angle
------------------------	--------------------	--------------	-------------------------

Profili Profiles

F-1569	MH-12	2	90-90
F-0826	MH-12	2	90-90
F-1437	ML-62	1	90-90

Brtve Gaskets

318.001	MH-41	2	90-90
328.002	MH-41	2	90-90
340.055	MH-12	4	90-90

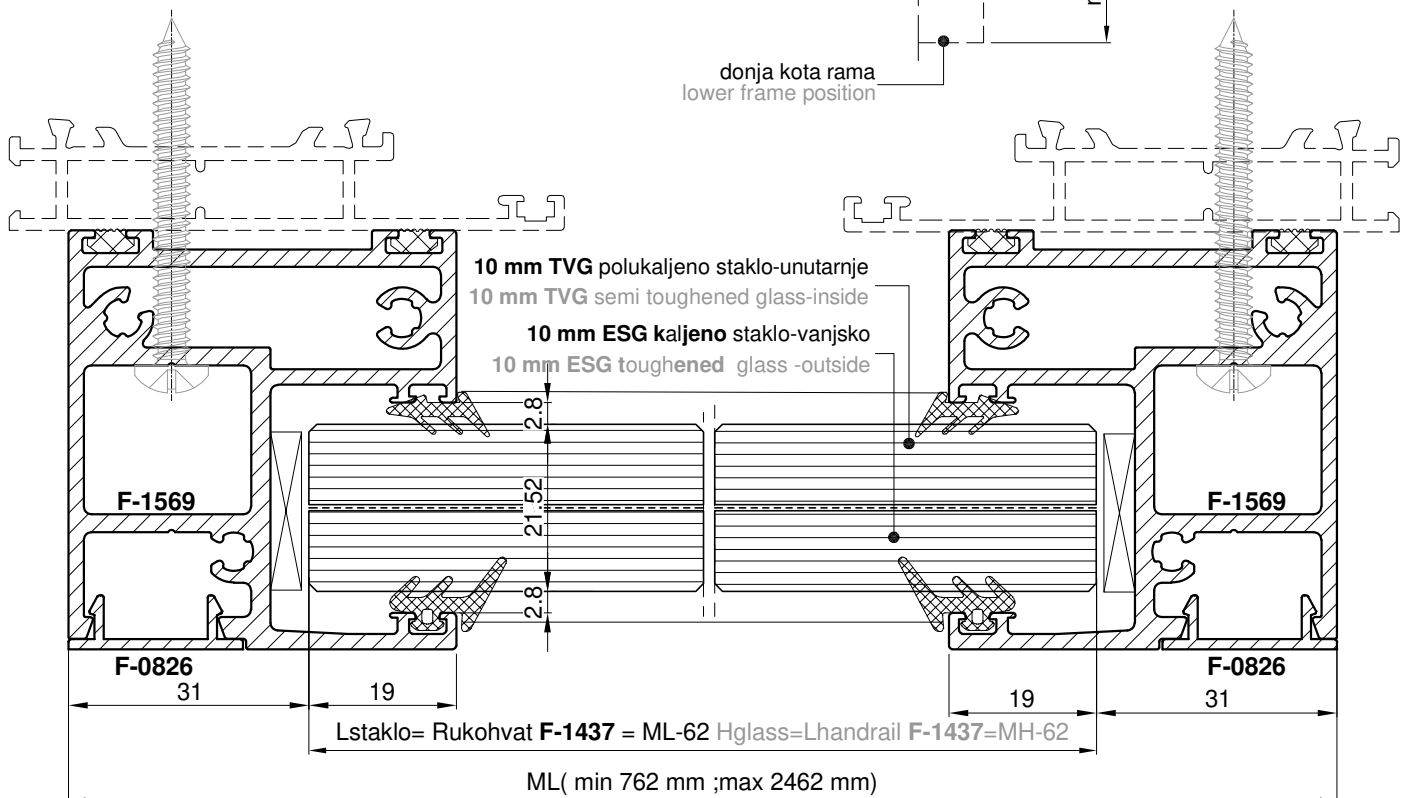
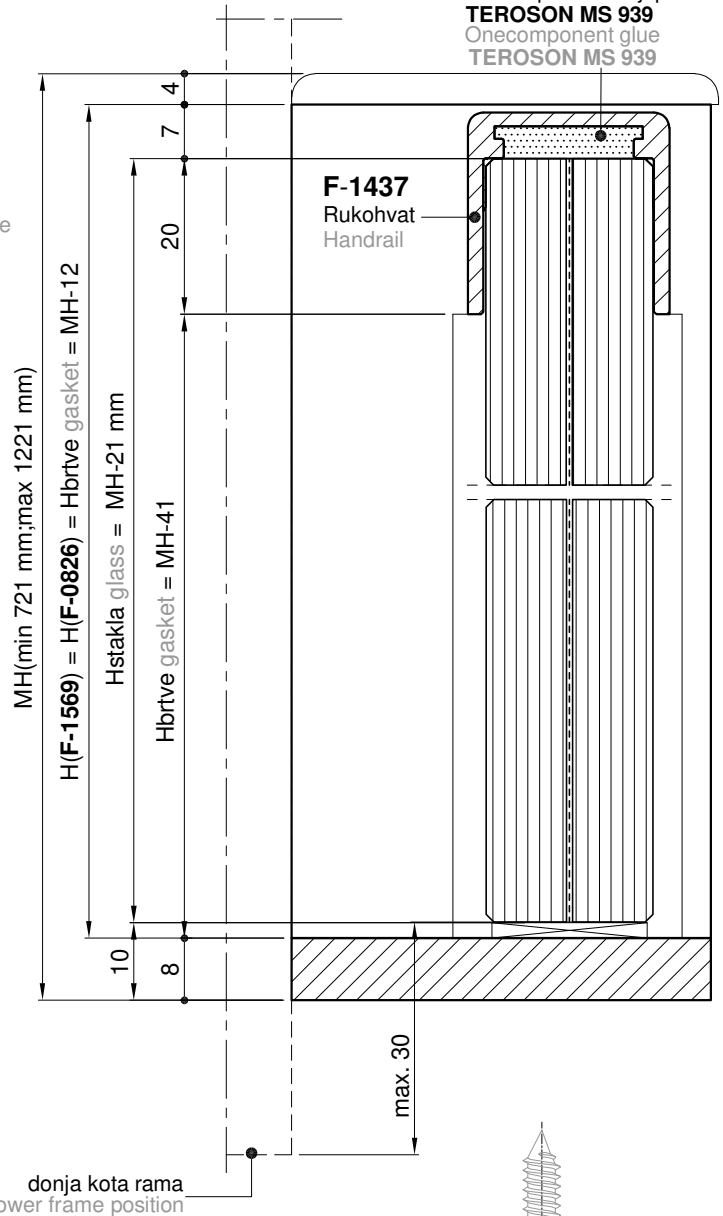
Staklo Glass

1010.4 ML-62 x MH-21 1

polukaljeno 10 mm +
4 PVB 1,52 mm +
kaljeno 10 mm
semi toughened 10 mm +
4 PVB 1,52 mm +
toughened 10 mm

Elementi Elements

373.054	2
391.148	1
391.149	1
433.134	6
433.042	2
433.04x*	x**
PVC podmetač 20x4 mm spacer 20x4 mm***	4
PVC podmetač 20x20x2 mm spacer 20x20x2 mm***	2



*- ovisi o profilu na koji se montira
*- depends upon the mounting profile

** - ovisi o visina balkona
** - depends upon balcony height

***- ne prodaje FEAL
***- not sold by FEAL

FEAL



Skenirajte QR kod i registrirajte se na partner.feal.ba

Scan the QR code and register on partner.feal.ba

50 FK

Knjiga B / *Book B*

Listopad 2025 / *November 2025*

FEAL d.o.o.
Trnska cesta 146
88220 Široki Brijeg
Bosna i Hercegovina
Tel. +387 39 704-269; 705-807; 705-636
Fax. +387 39 704-358
info@feal.ba
www.feal.ba